



US00D615210S

(12) **United States Design Patent**
Woodhams et al.

(10) **Patent No.:** **US D615,210 S**

(45) **Date of Patent:** **** May 4, 2010**

(54) **REIKI STICK**

(76) Inventors: **James Woodhams**, 10209 Moss Tower Pl., Bristow, VA (US) 20136; **Eva J. Marino**, 23885 NYS Rte. 12, Watertown, NY (US) 13601; **Laurie L. Woodhams**, 10209 Moss Tower Pl., Bristow, VA (US) 20136

(**) Term: **14 Years**

(21) Appl. No.: **29/345,847**

(22) Filed: **Oct. 22, 2009**

(51) **LOC (9) Cl.** **28-03**

(52) **U.S. Cl.** **D24/211**

(58) **Field of Classification Search** D24/200, D24/211, 214, 215, 133, 147; 601/134-138, 601/1, 133; D8/354; D11/131, 132
See application file for complete search history.

(56) **References Cited**

U.S. PATENT DOCUMENTS

1,769,872 A * 7/1930 Weeks 601/17
2,448,668 A * 9/1948 Geller 446/379
3,557,776 A * 1/1971 Boots et al. 128/897
4,590,926 A * 5/1986 Courtin 601/137

D386,879 S * 11/1997 Daniels D24/214
6,887,211 B1 * 5/2005 Sevier et al. 601/135
D524,445 S * 7/2006 Liang D24/214
D530,823 S * 10/2006 Sevier et al. D24/214
D586,469 S * 2/2009 Henry D24/200

* cited by examiner

Primary Examiner—Cathron C Brooks

Assistant Examiner—Melanie Levy

(74) *Attorney, Agent, or Firm*—James A. Italia; Italia IP

(57) **CLAIM**

The ornamental design for a Reiki stick, as shown and described.

DESCRIPTION

FIG. 1 is a perspective view of a Reiki stick, showing my new design;

FIG. 2 is a front elevational view thereof;

FIG. 3 is a rear elevational view thereof;

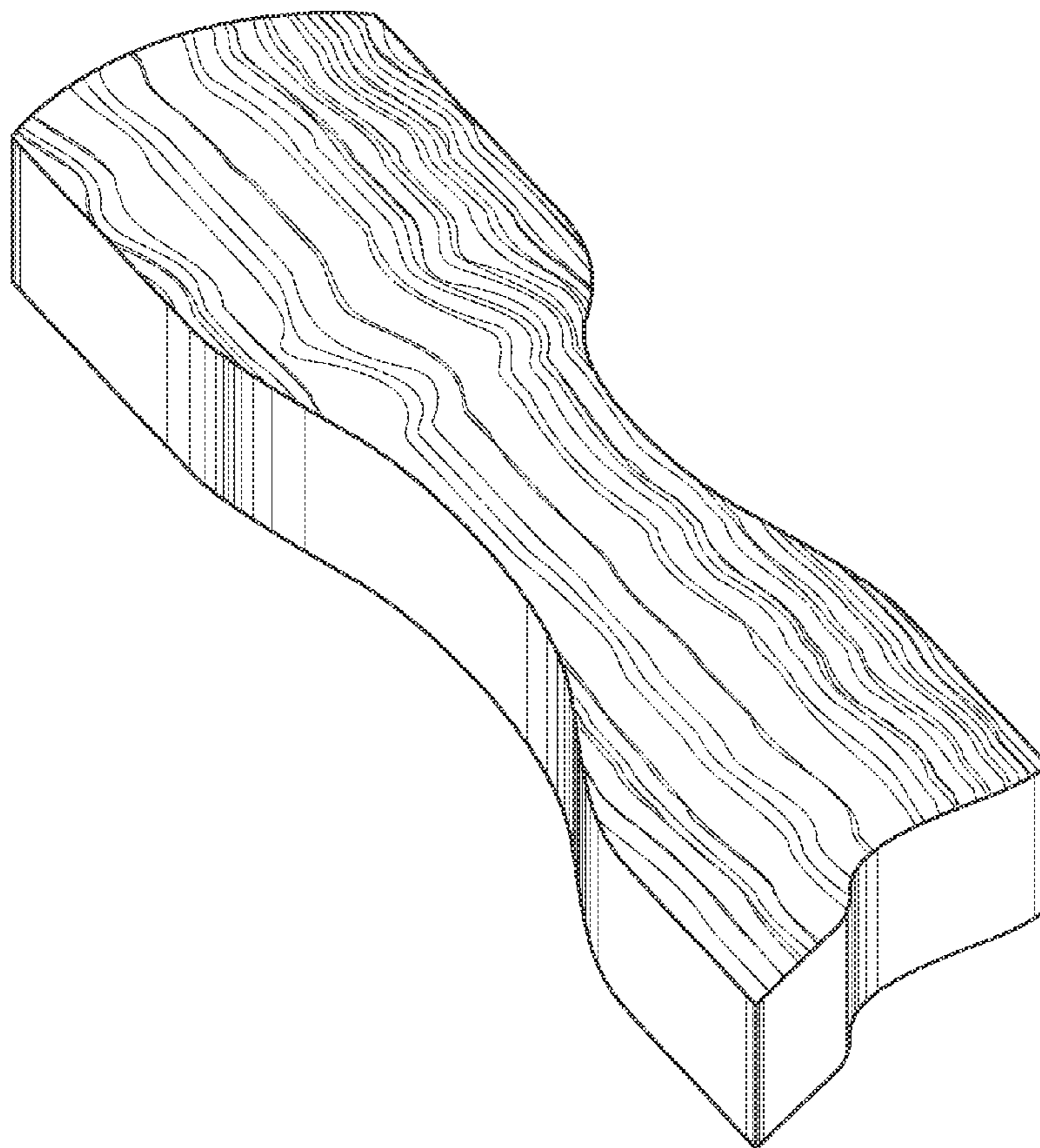
FIG. 4 is a left side elevational view thereof;

FIG. 5 is a right side elevational view thereof;

FIG. 6 is a top plan view thereof; and,

FIG. 7 is a bottom plan view thereof.

1 Claim, 3 Drawing Sheets



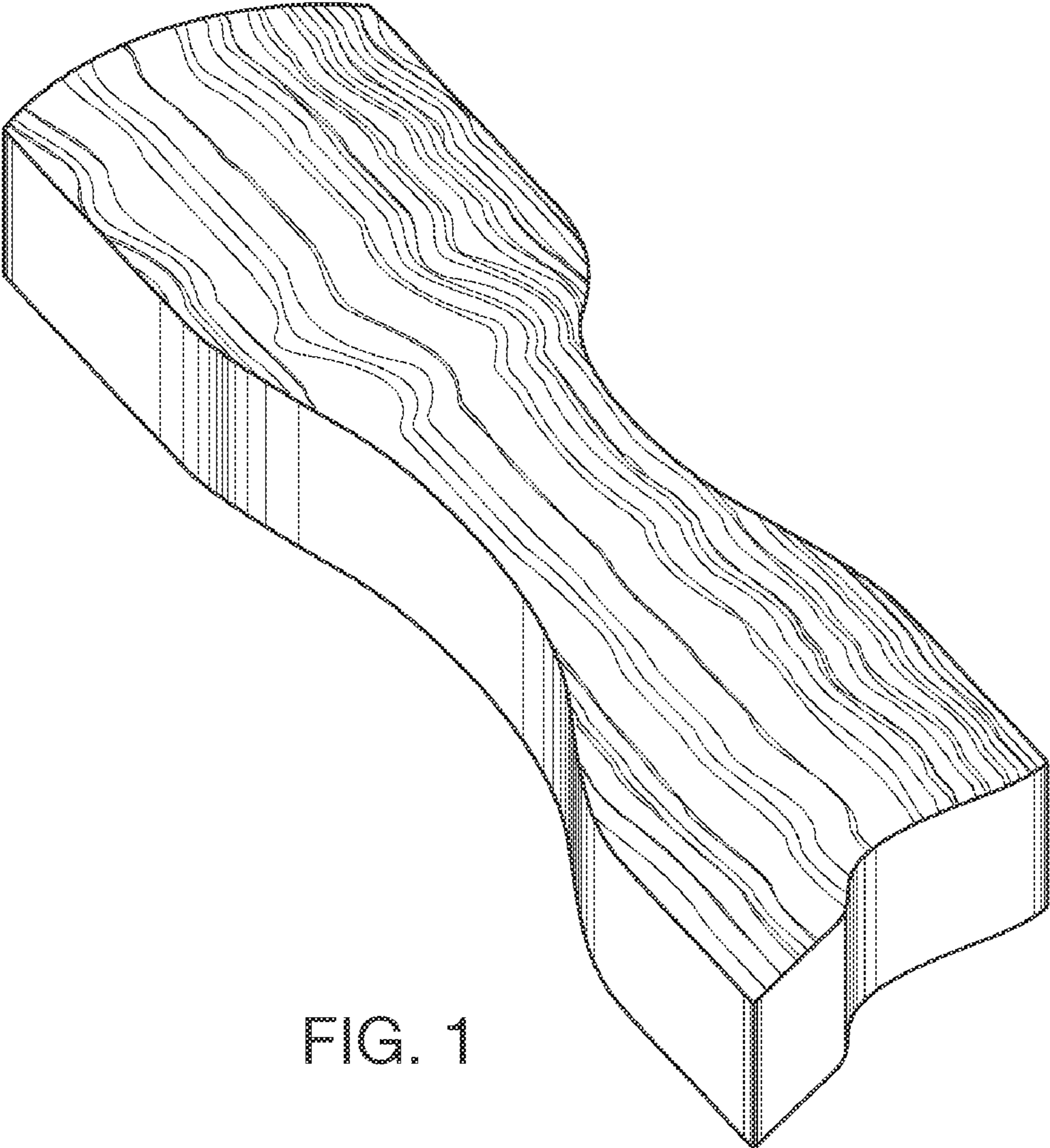


FIG. 1

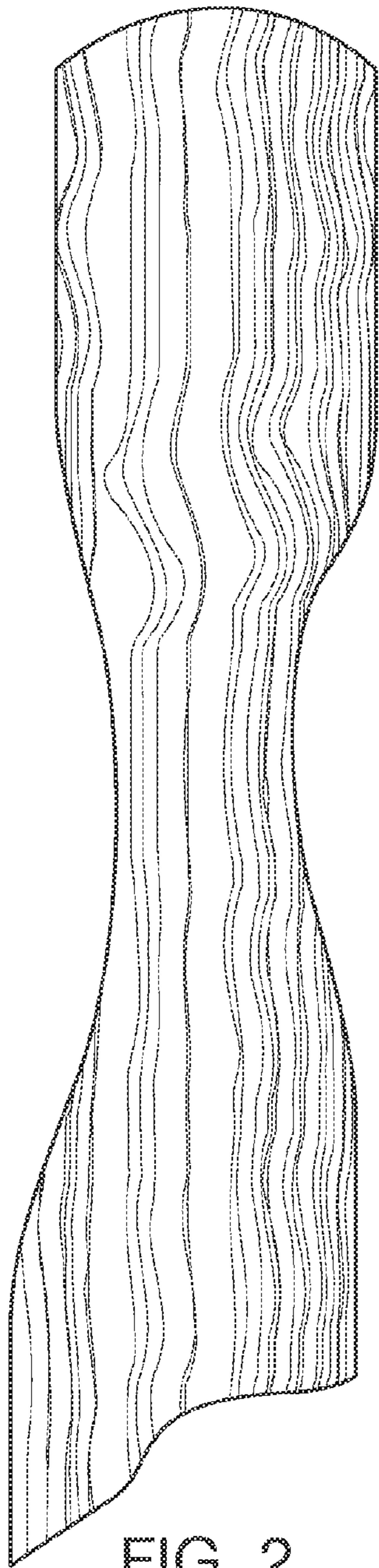


FIG. 2

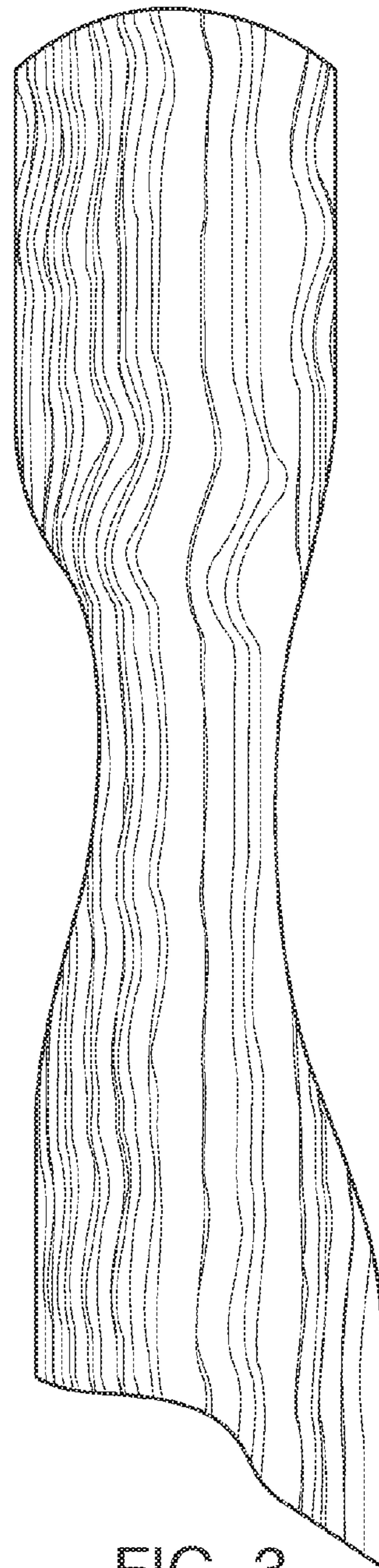


FIG. 3

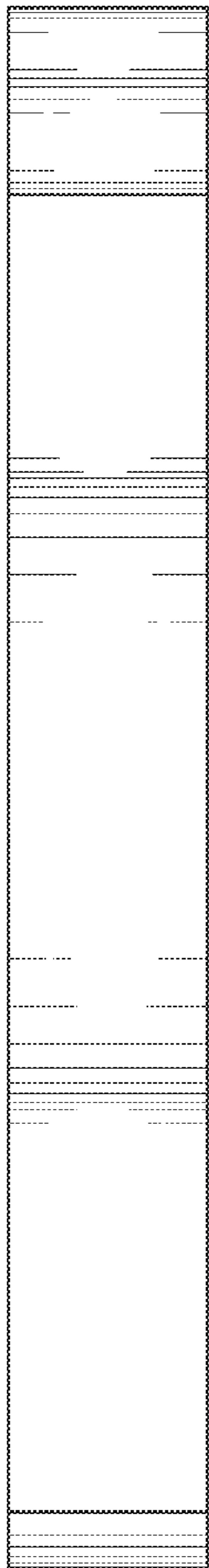


FIG. 4

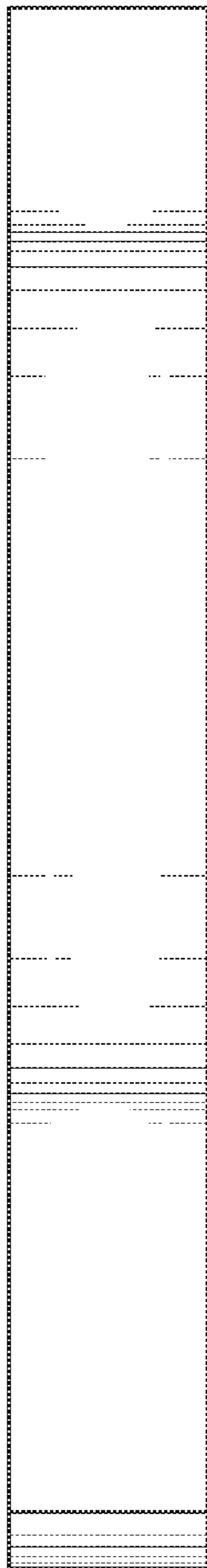


FIG. 5

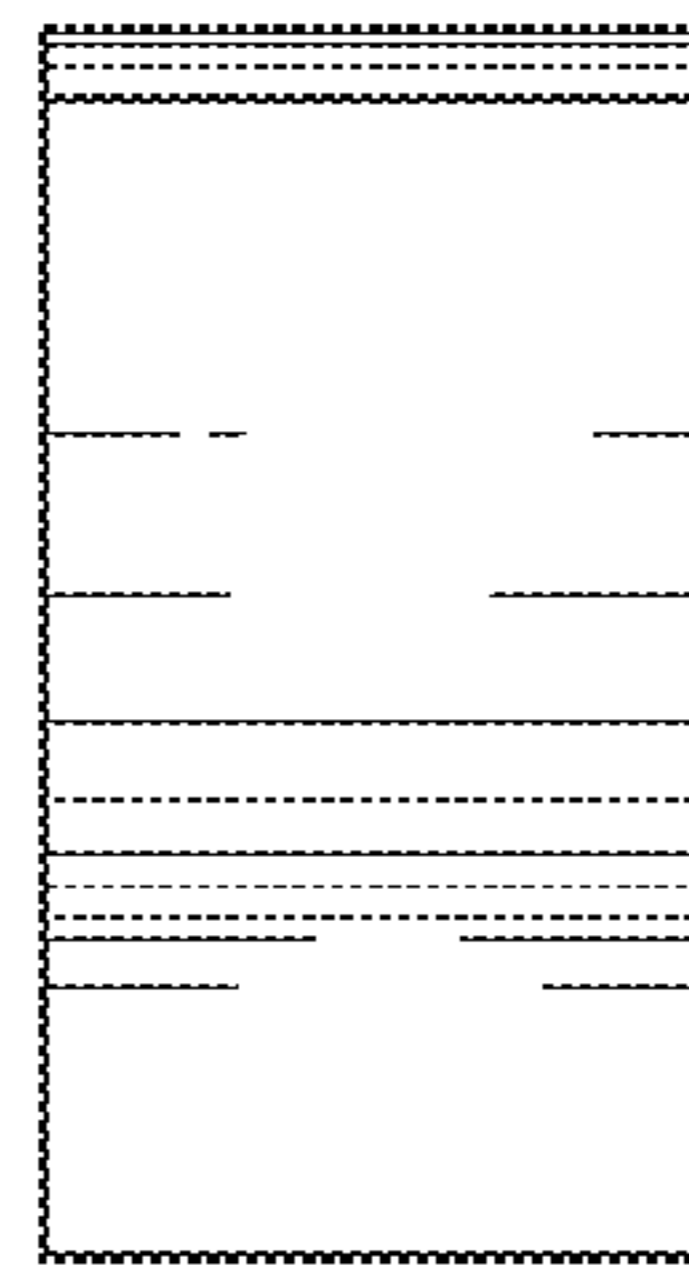


FIG. 7

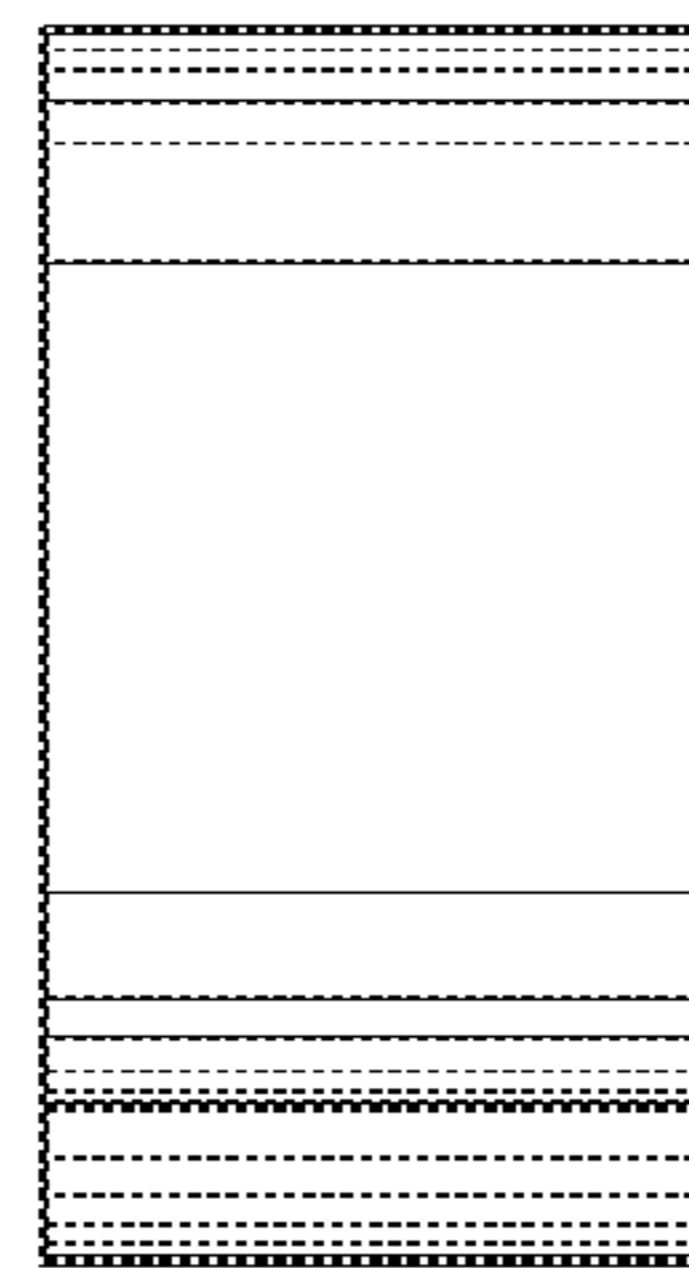


FIG. 6