



US00D615208S

(12) **United States Design Patent**
Keffeler et al.

(10) **Patent No.:** **US D615,208 S**

(45) **Date of Patent:** **** May 4, 2010**

(54) **MEDICATION CART**

(76) Inventors: **Mark G. Keffeler**, 21509 Ridgewood Rd., Elkhorn, NE (US) 68022; **David P. Keffeler**, 6606 N. 144th St., Omaha, NE (US) 68116

(**) Term: **14 Years**

(21) Appl. No.: **29/316,378**

(22) Filed: **Sep. 18, 2009**

(51) **LOC (9) Cl.** **24-01**

(52) **U.S. Cl.** **D24/185**

(58) **Field of Classification Search** D24/172,
D24/128, 169, 185; D34/12-27; D6/436,
D6/460, 445, 446, 441, 510; 280/47.18,
280/47.26, 47.34, 33.991, 33.992, 33.993;
312/138.1, 204, 249.8, 237, 257.1, 297
See application file for complete search history.

(56) **References Cited**

U.S. PATENT DOCUMENTS

D263,995 S *	4/1982	Steele	D24/185
D273,906 S *	5/1984	Norlin	D34/19
D292,937 S *	11/1987	Richey	D34/19
D304,075 S *	10/1989	Welch	D24/185
D336,707 S *	6/1993	Teufel et al.	D24/185
D361,910 S *	9/1995	Maple et al.	D34/19
D411,678 S *	6/1999	Di Paolo	D34/21
D423,817 S *	5/2000	Holcomb et al.	D34/21
D440,369 S *	4/2001	LaFollette et al.	D34/19
D447,567 S *	9/2001	Murphy et al.	D24/172
D470,687 S *	2/2003	Binse et al.	D6/436
D509,939 S *	9/2005	Hay et al.	D34/20
D512,149 S *	11/2005	Bochner et al.	D24/185
D515,767 S *	2/2006	Arceta	D34/12
D517,768 S *	3/2006	Arceta	D24/185
D523,607 S *	6/2006	Huguet	D34/21
D524,506 S *	7/2006	Hay et al.	D34/20
D546,017 S *	7/2007	Wise	D34/19
D560,079 S *	1/2008	Mehmen	D6/441
D575,022 S *	8/2008	Girard	D34/19

D575,023 S *	8/2008	Girard	D34/19
D587,047 S *	2/2009	Kalkwarf	D6/445
D588,273 S *	3/2009	Sharpe et al.	D24/185
D588,849 S *	3/2009	Kalkwarf	D6/510

* cited by examiner

Primary Examiner—T. Chase Nelson

Assistant Examiner—Mark Cavanna

(74) *Attorney, Agent, or Firm*—Dennis L. Thomte; Thomte Patent Law Office LLC

(57) **CLAIM**

The ornamental design for a medication cart, as shown and described.

DESCRIPTION

FIG. 1 is an enlarged front perspective view of the first embodiment of a medication cart showing my new design;

FIG. 2 is top view thereof;

FIG. 3 is a left side view thereof;

FIG. 4 is a back view thereof;

FIG. 5 is a right side view thereof;

FIG. 6 is a front view thereof;

FIG. 7 is a bottom view thereof;

FIG. 8 is an enlarged front perspective view of a second embodiment of a medication cart;

FIG. 9 is a top view thereof;

FIG. 10 is a left side view thereof;

FIG. 11 is a back view thereof;

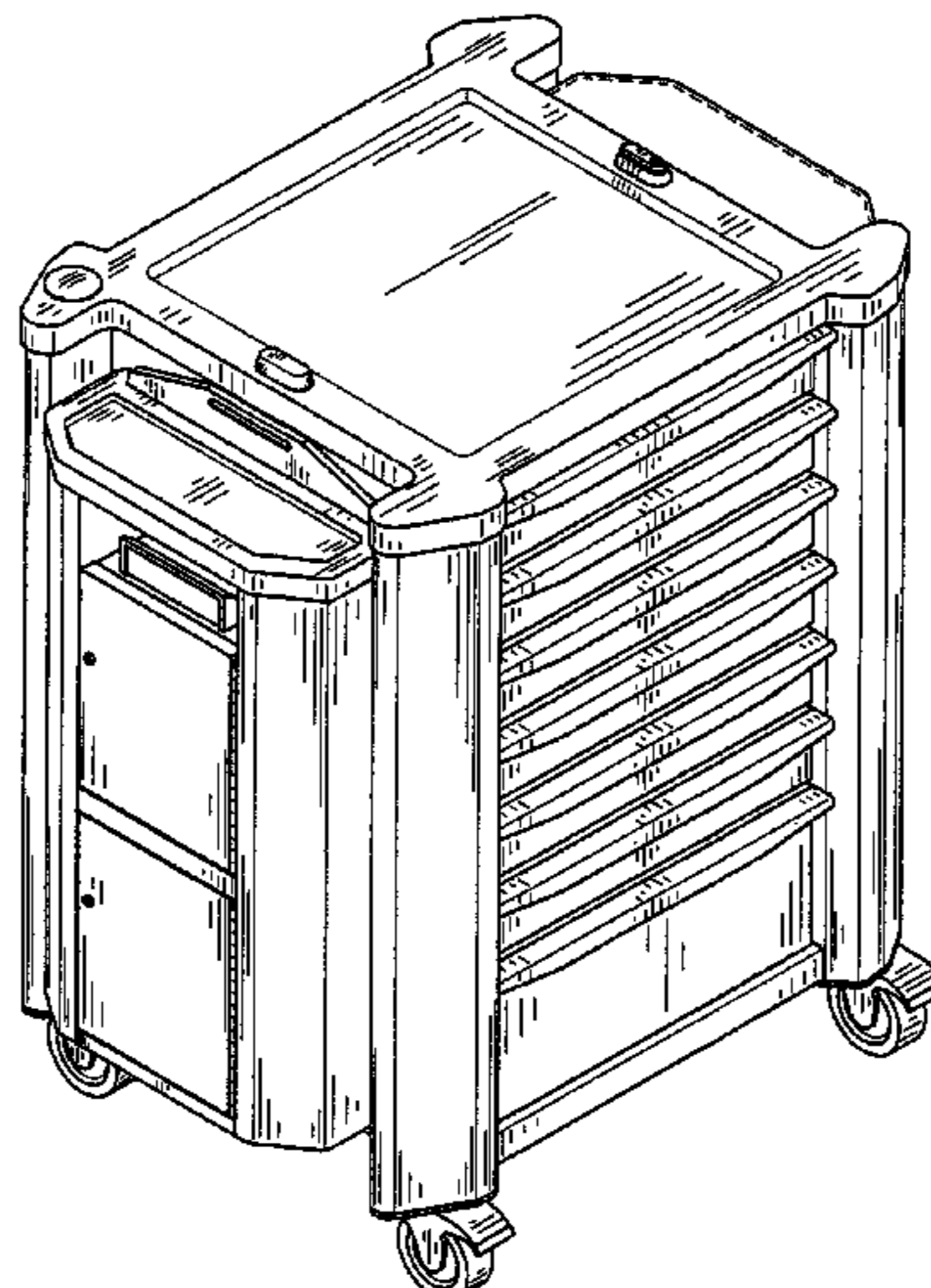
FIG. 12 is a right side view thereof;

FIG. 13 is a front view thereof; and,

FIG. 14 is a bottom view thereof.

The broken lines are included for the purpose of illustrating portions of the medication cart that forms no part of the claimed design.

1 Claim, 6 Drawing Sheets



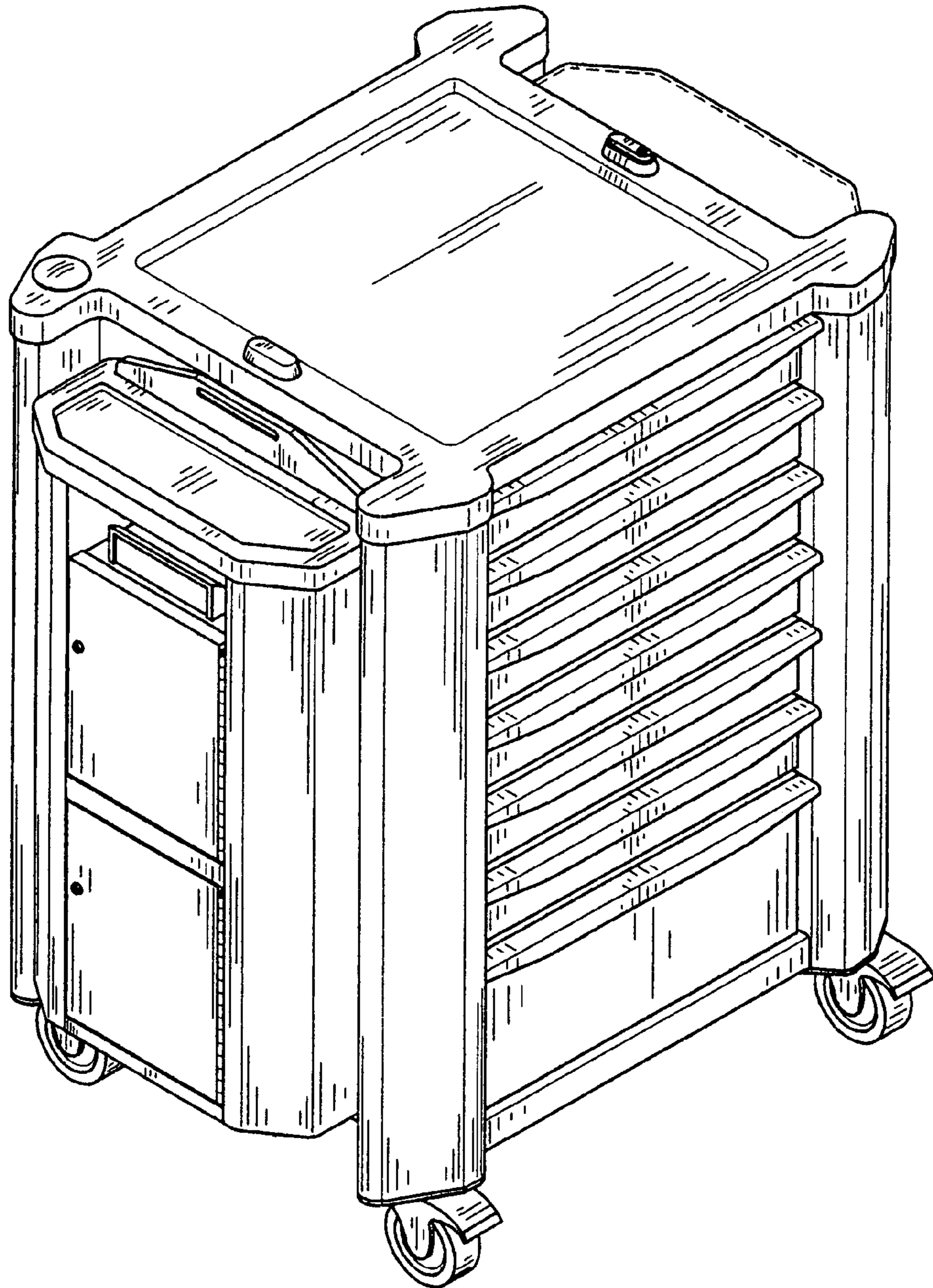


FIG. 1

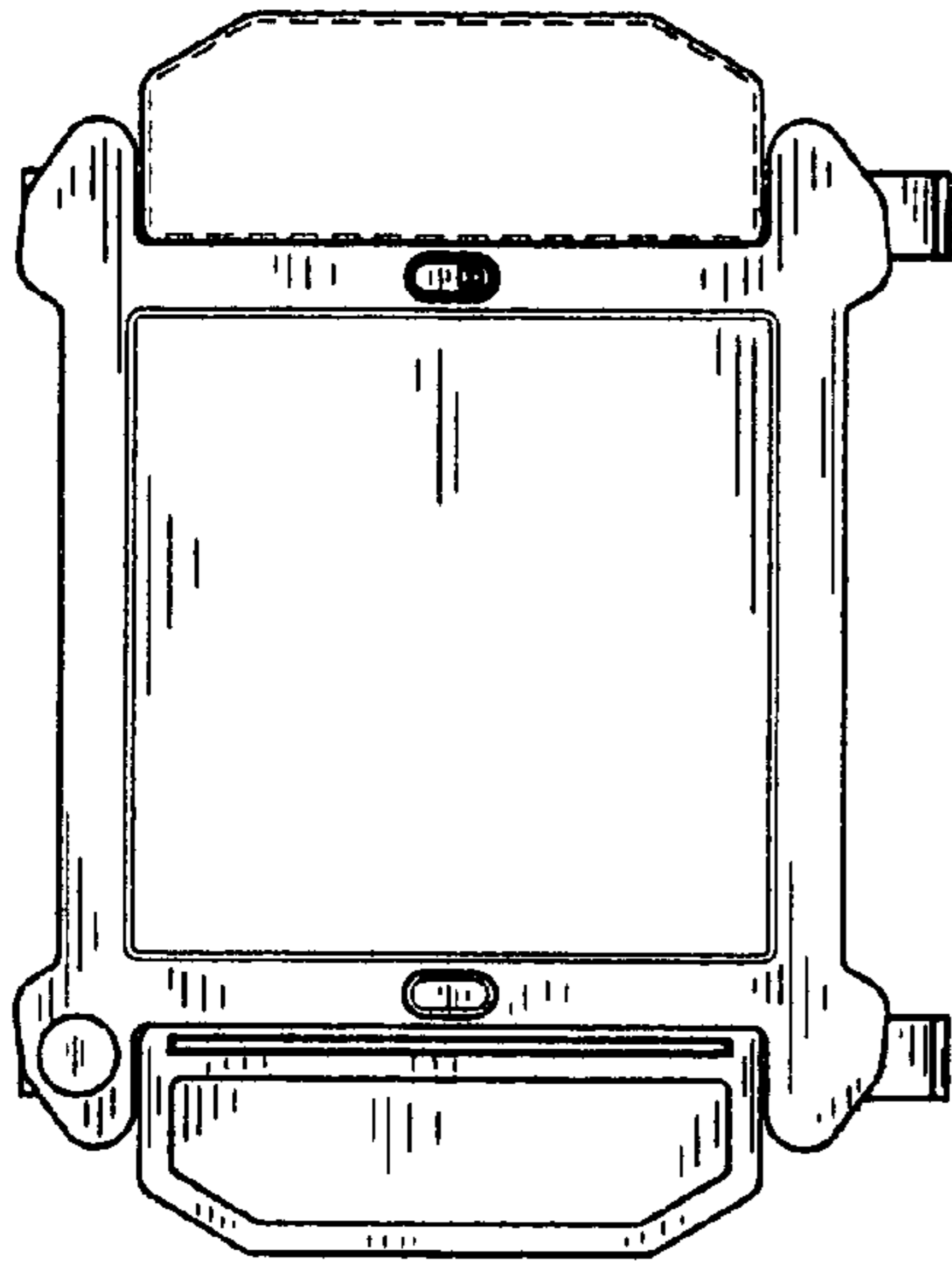


FIG. 2

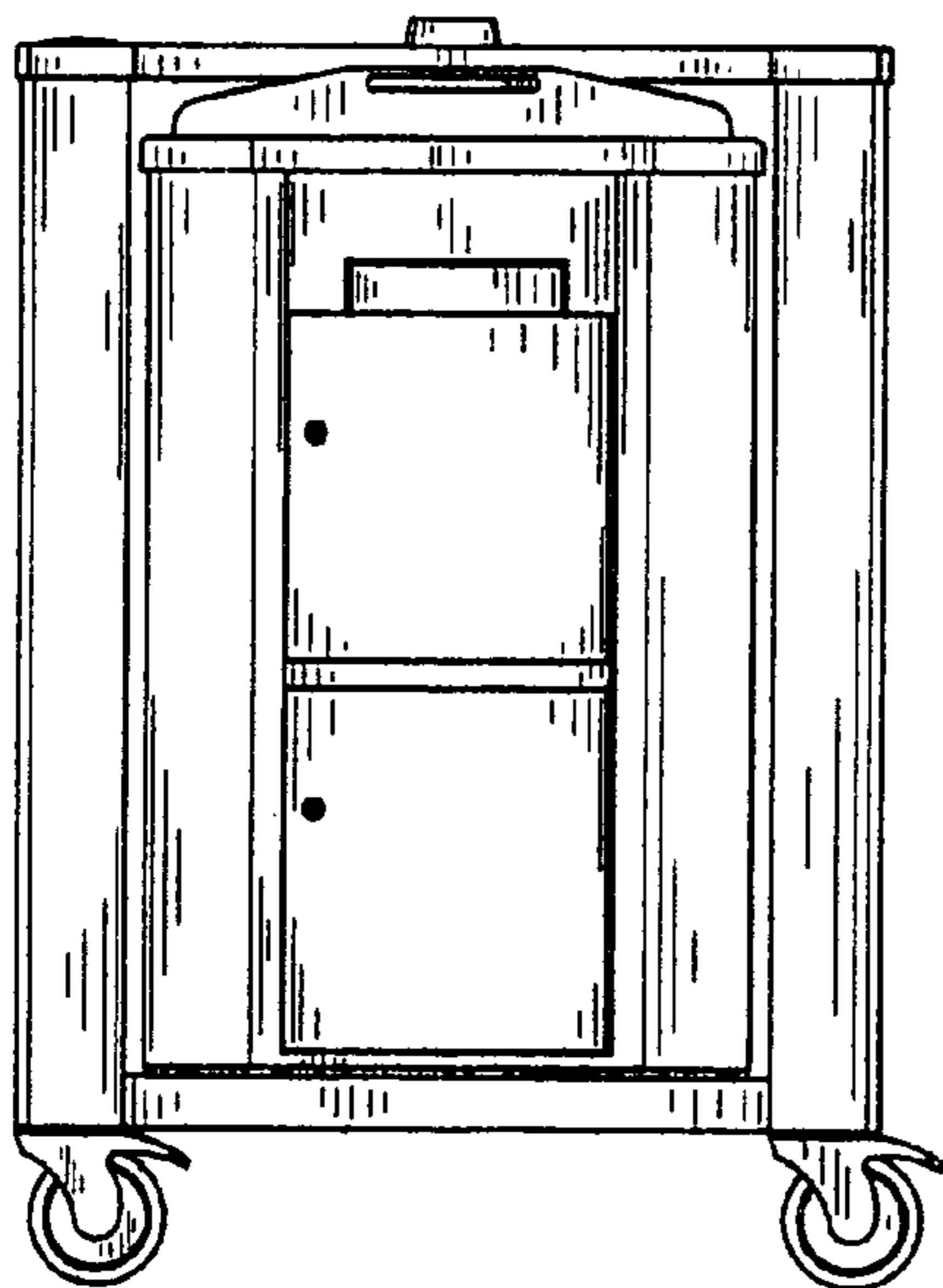


FIG. 3

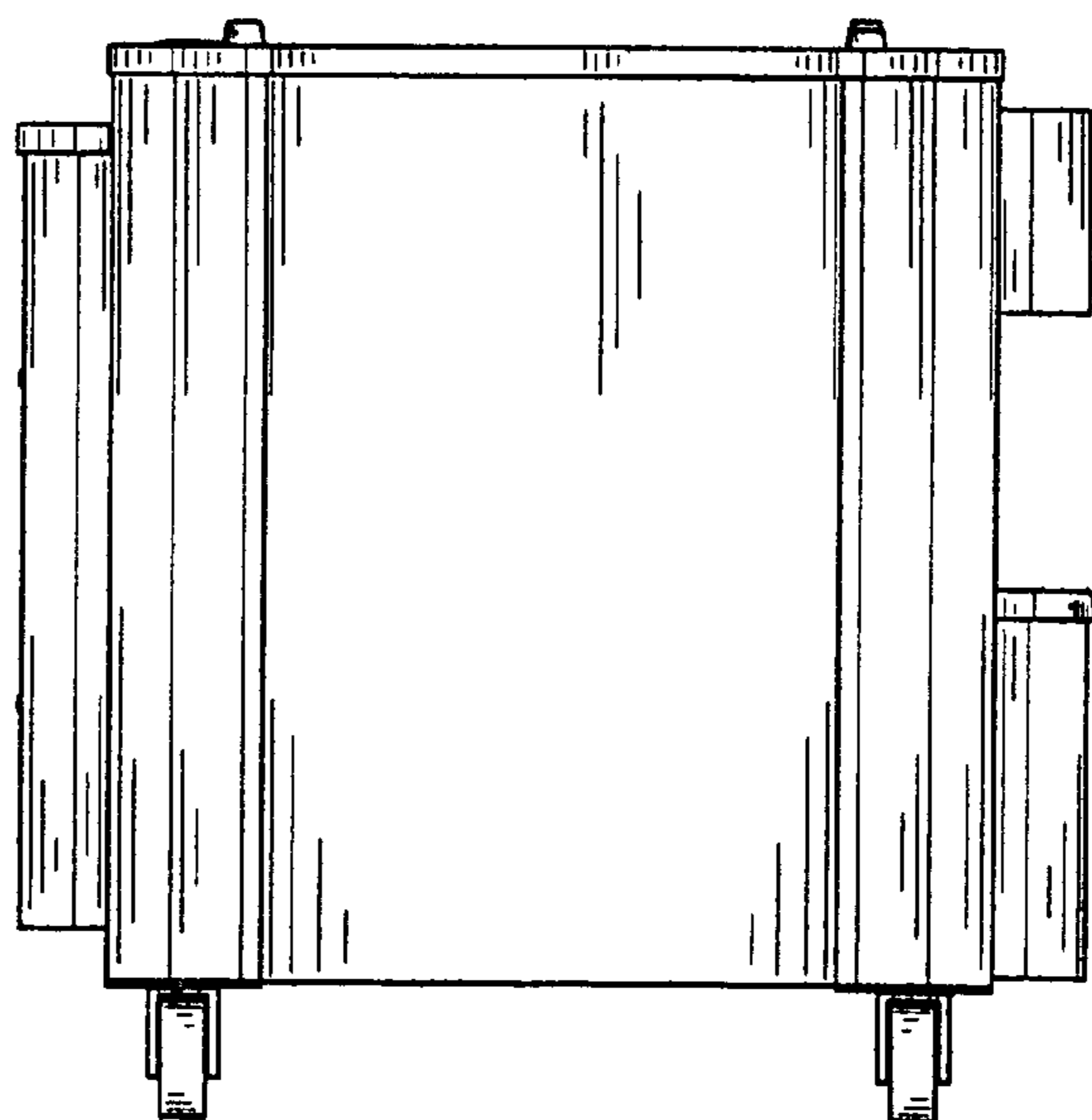


FIG. 4

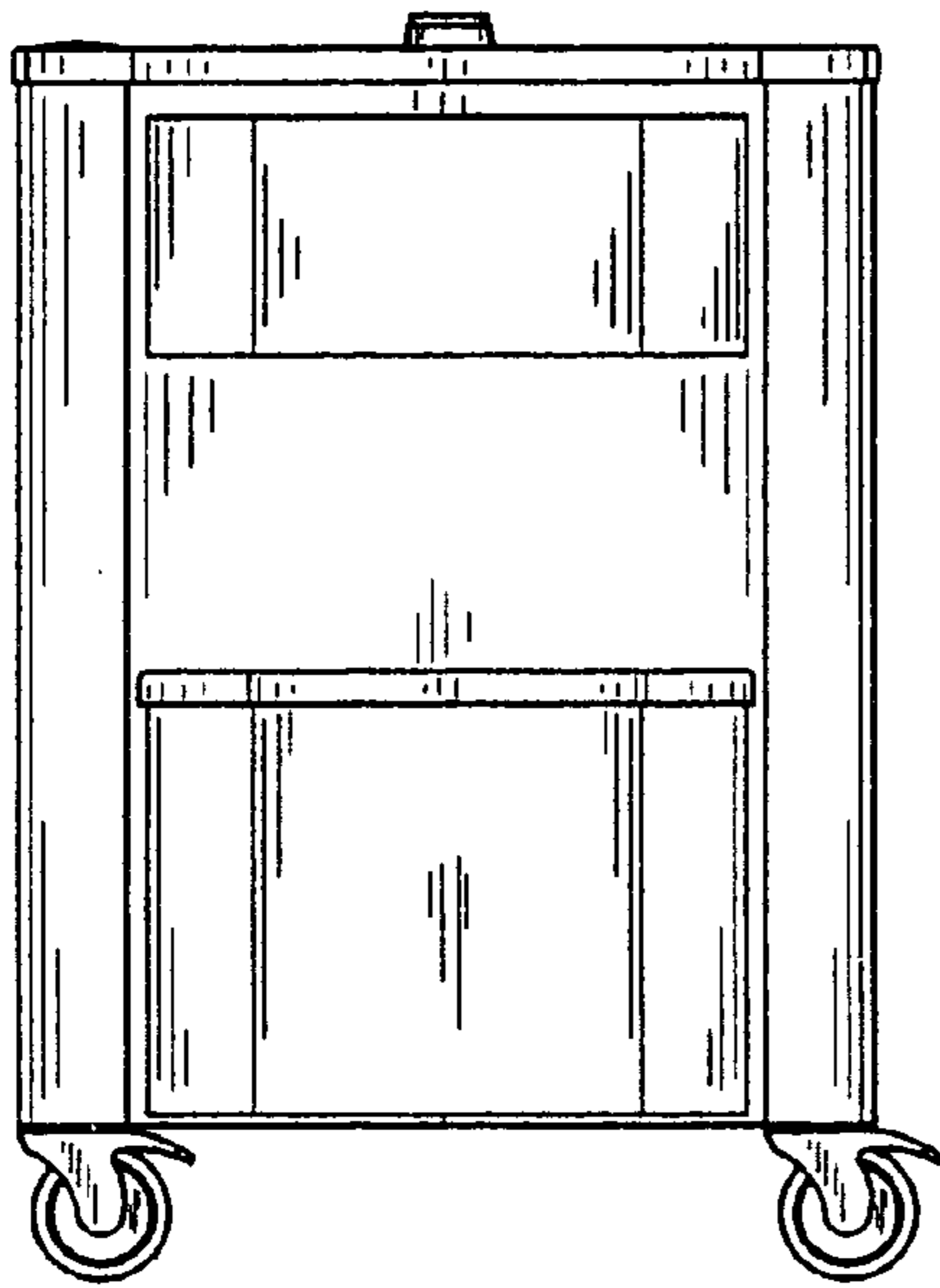


FIG. 5

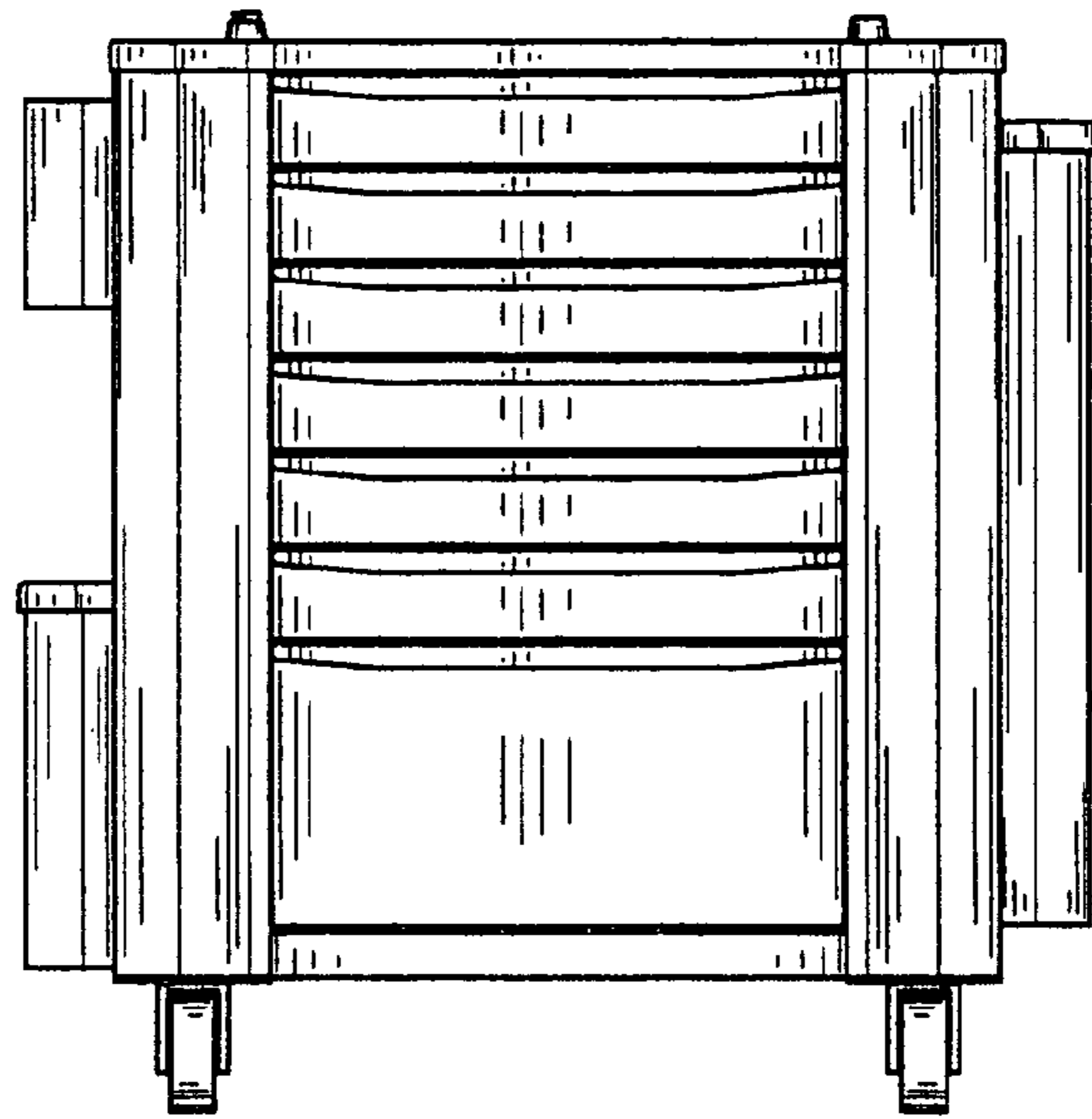


FIG. 6

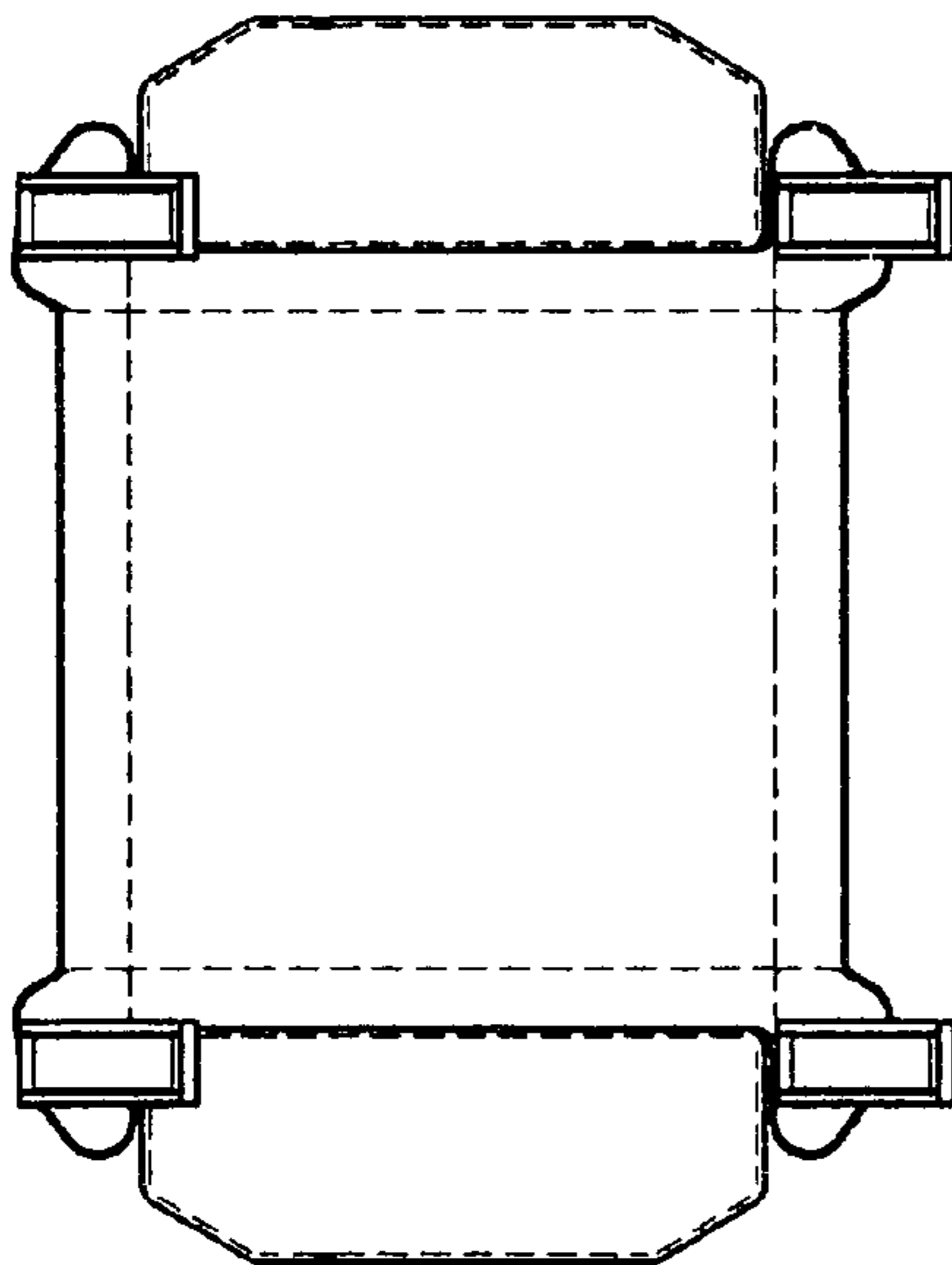


FIG. 7

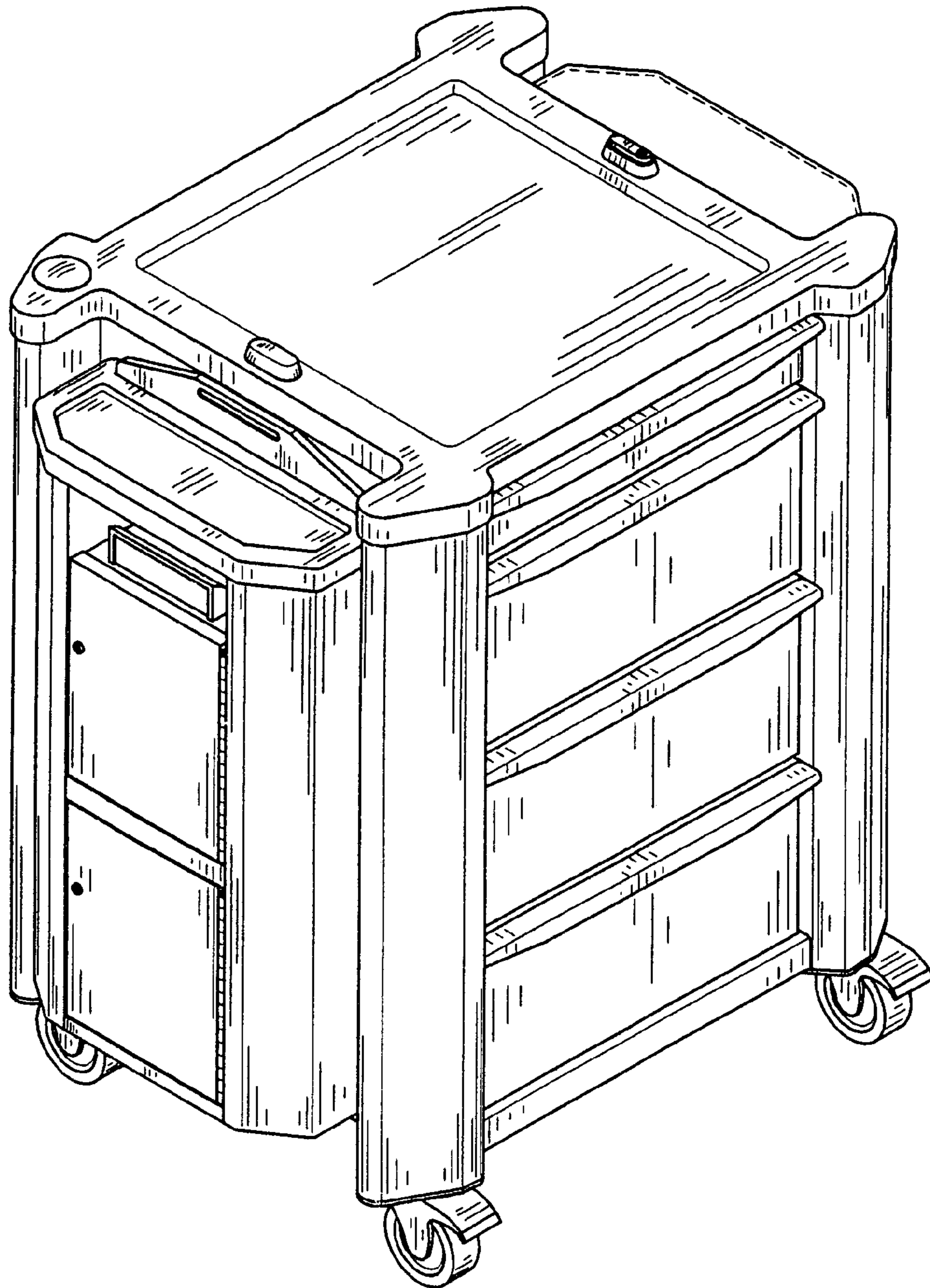


FIG. 8

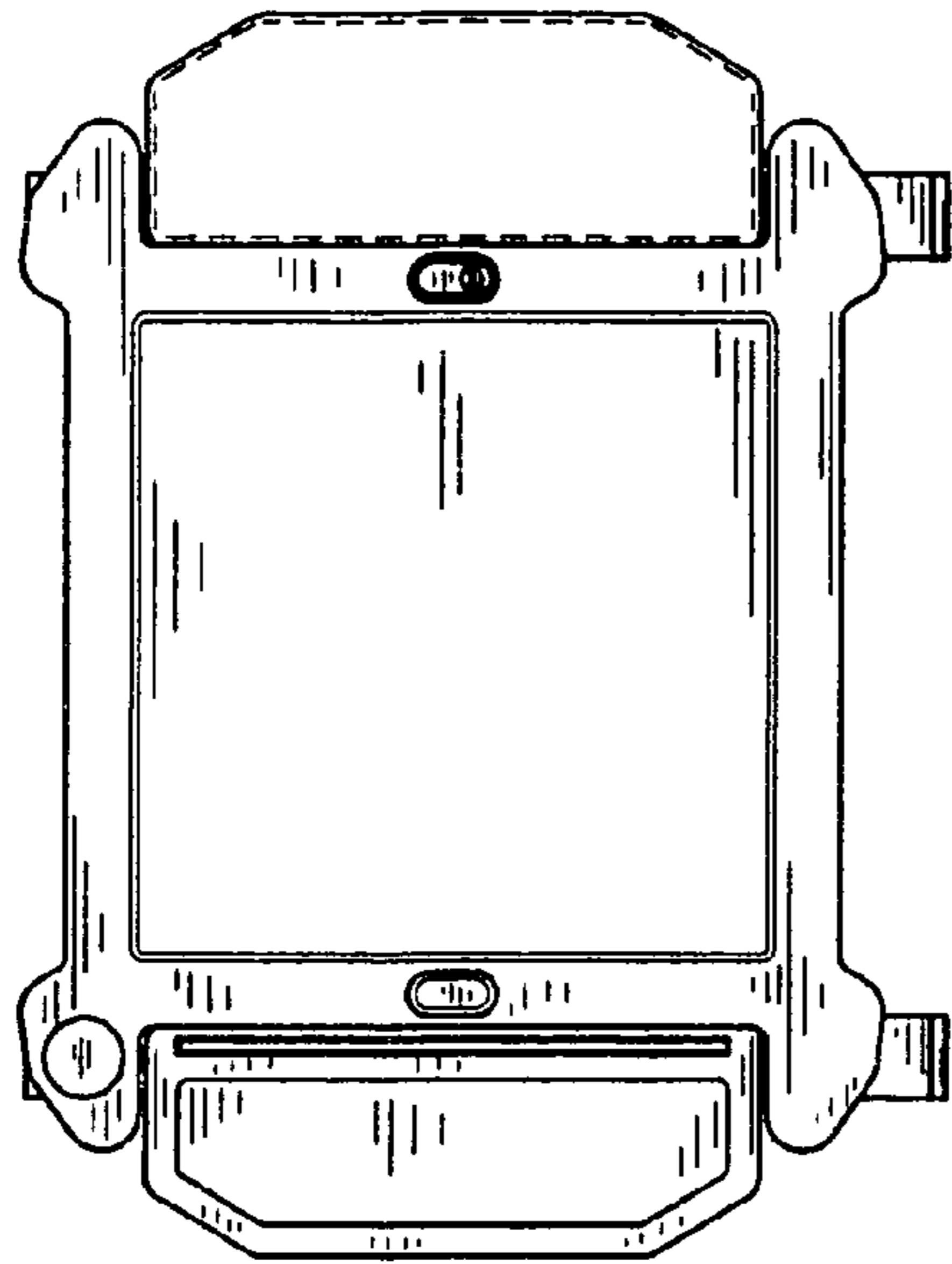


FIG. 9

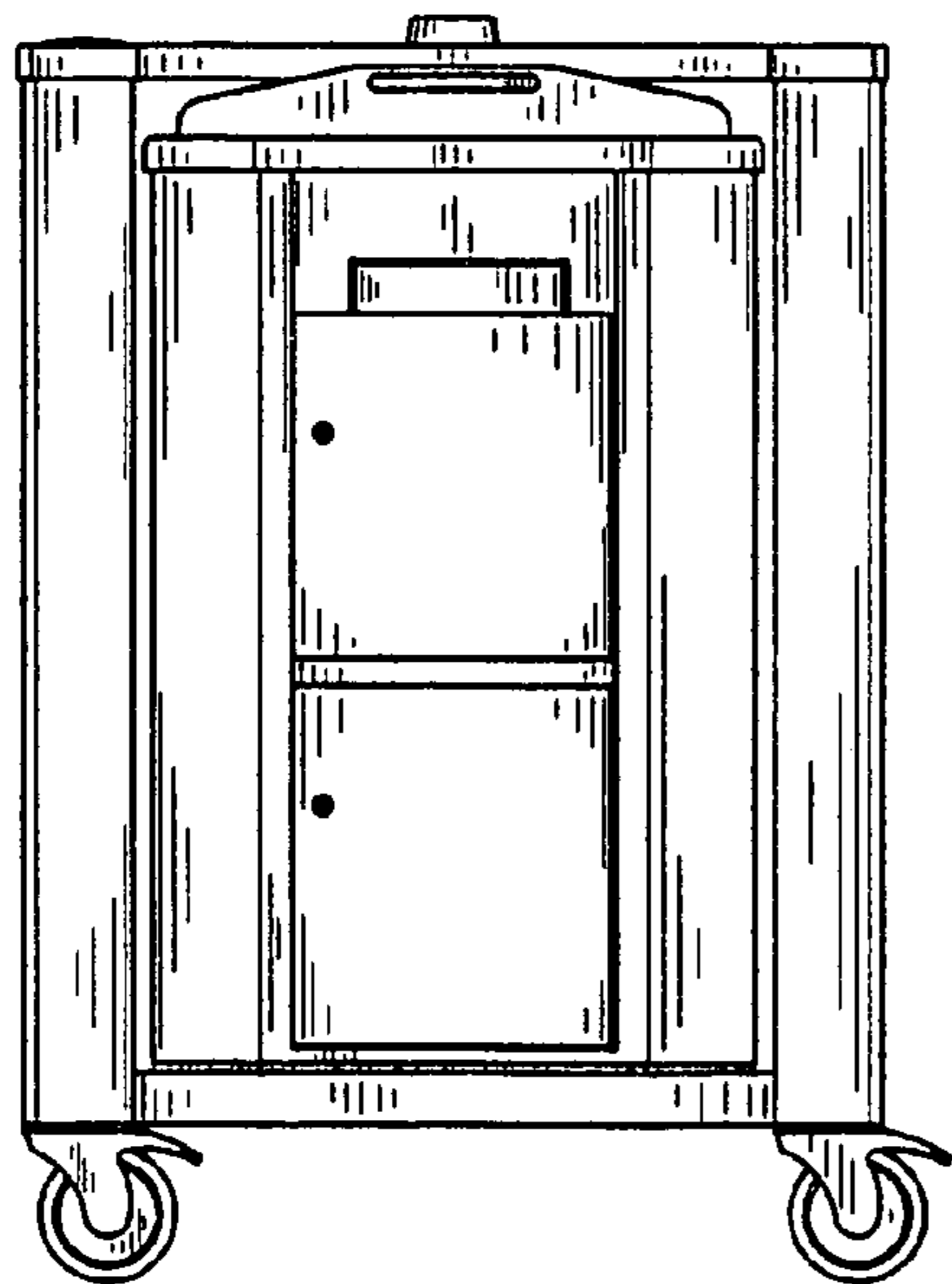


FIG. 10

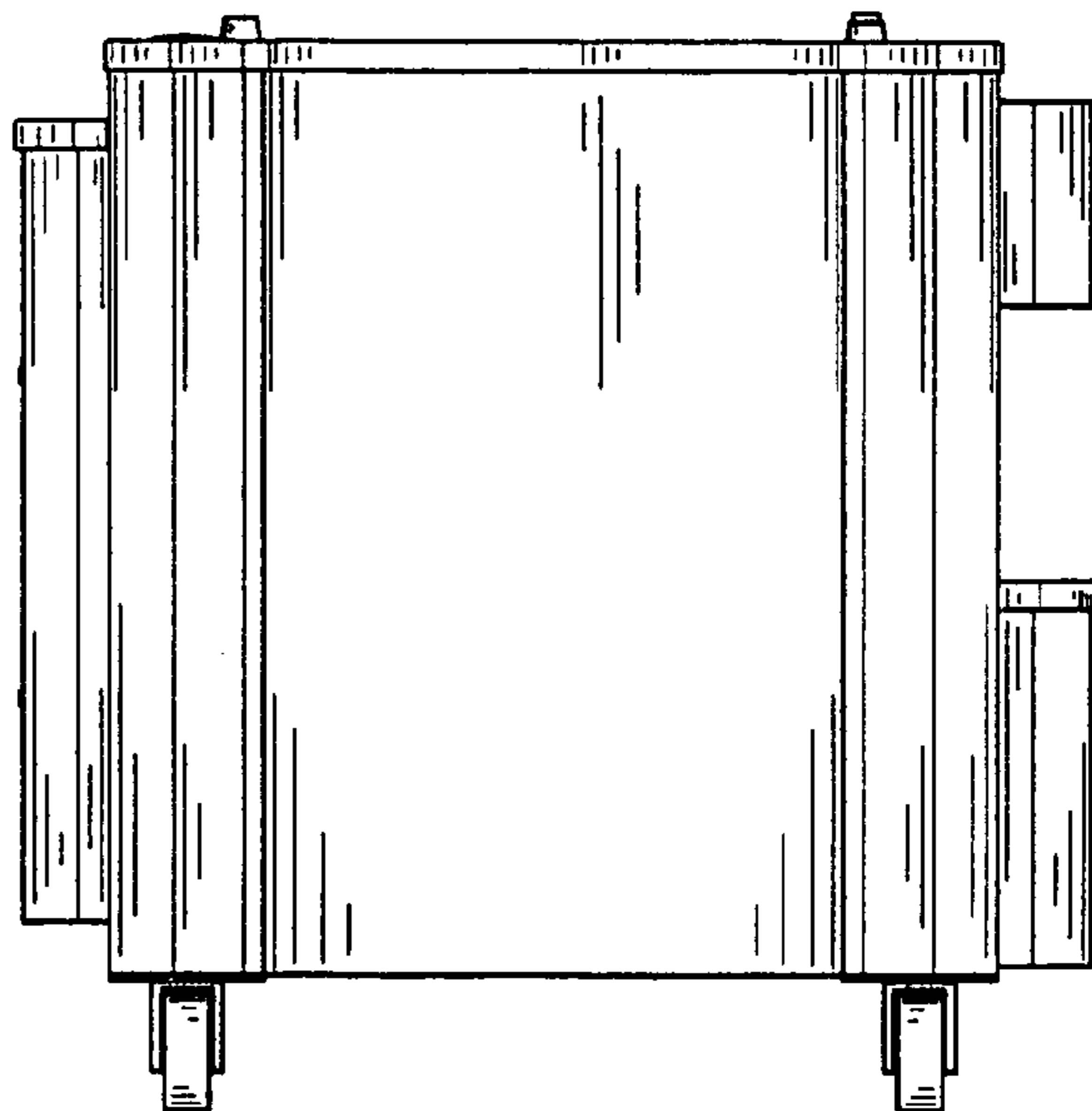


FIG. 11

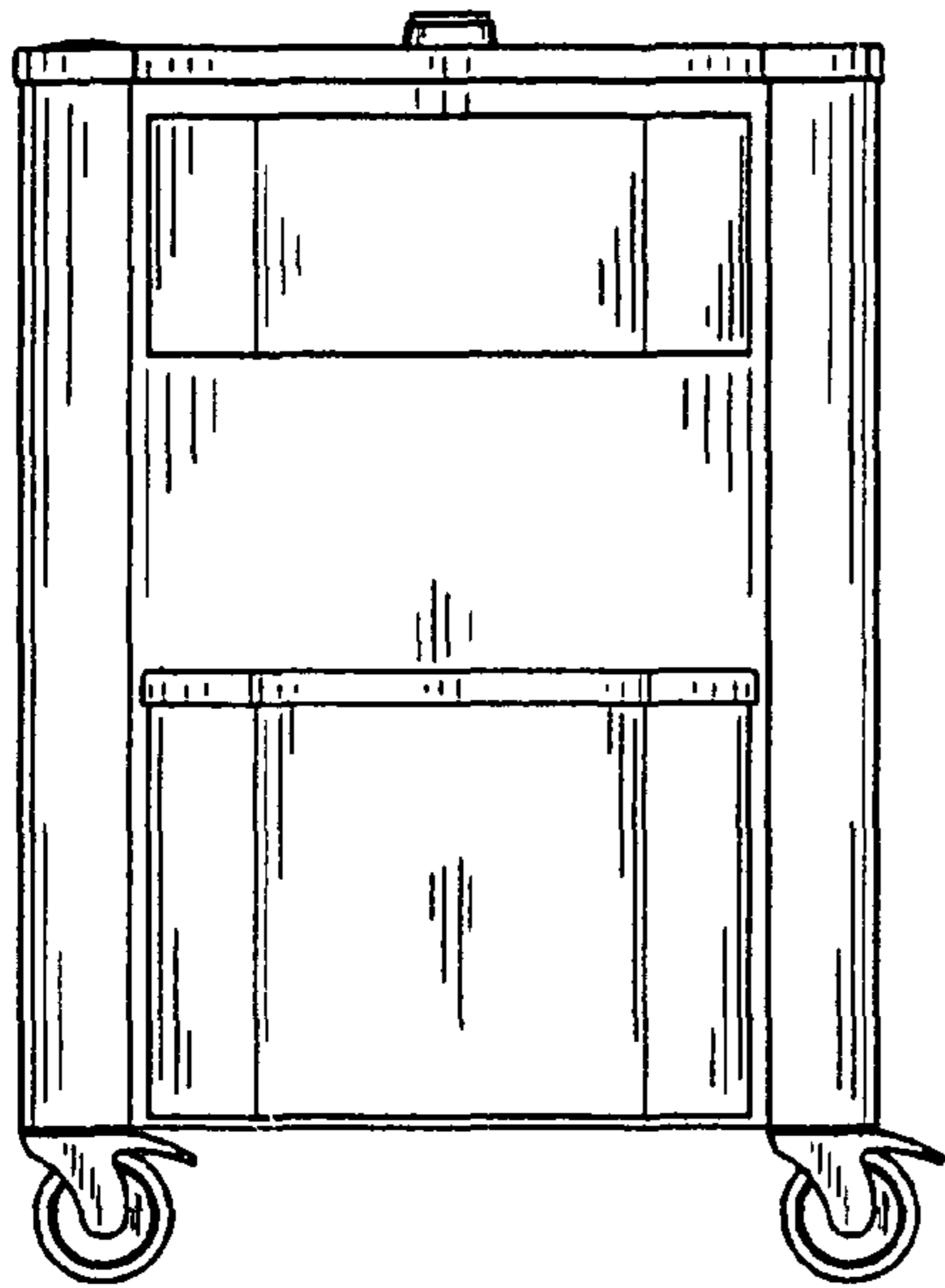


FIG. 12

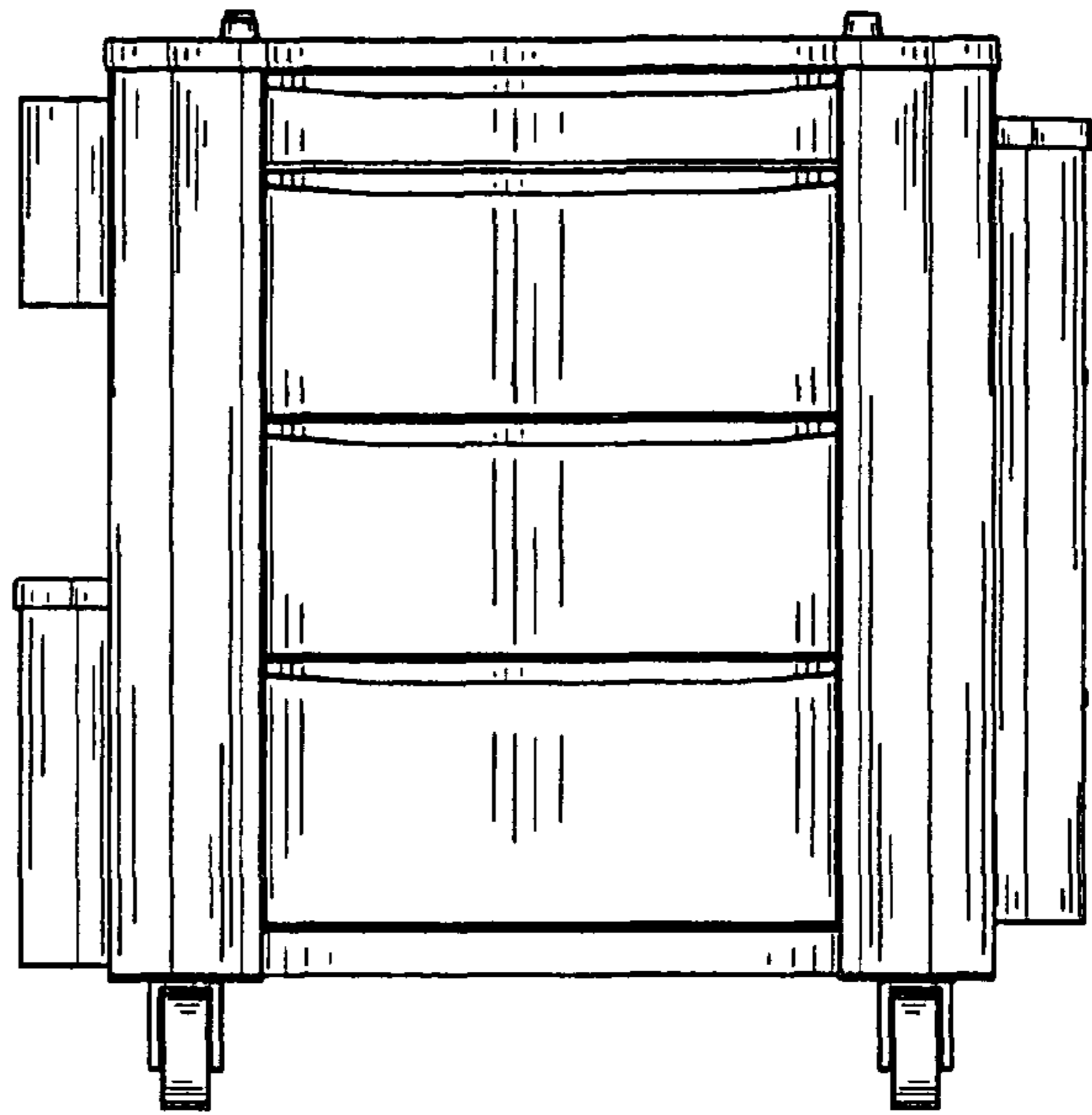


FIG. 13

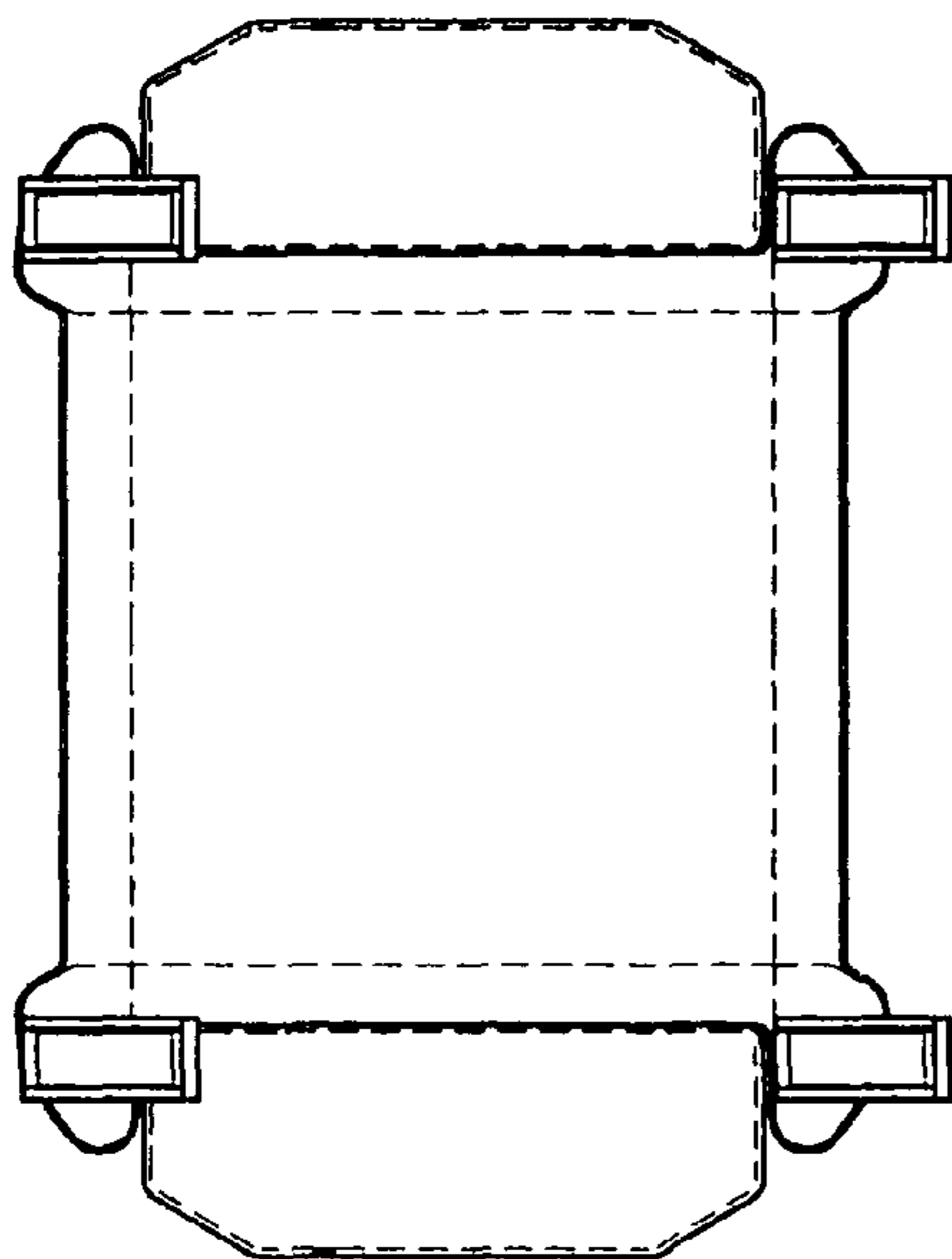


FIG. 14