



US00D615207S

(12) **United States Design Patent**  
**Bochner et al.**

(10) **Patent No.:** **US D615,207 S**  
(45) **Date of Patent:** **\*\* May 4, 2010**

(54) **MEDICAL EXAMINATION CART**

(75) Inventors: **Ronnie Z. Bochner**, East Brunswick, NJ (US); **Kris Douglas Eager**, Richland, MI (US); **Michael Stephen Rozewicz**, Kalamazoo, MI (US); **David Veldcamp**, Grand Rapids, MI (US)

(73) Assignee: **Gwenventions, LLC**, East Brunswick, NJ (US)

(\*\*) Term: **14 Years**

(21) Appl. No.: **29/346,182**

(22) Filed: **Oct. 28, 2009**

**Related U.S. Application Data**

(63) Continuation of application No. 29/333,103, filed on Mar. 3, 2009, now abandoned.

(51) **LOC (9) Cl.** ..... **24-01**

(52) **U.S. Cl.** ..... **D24/183; D12/132**

(58) **Field of Classification Search** ..... D24/107, D24/171, 183-184, 188-189, 200, 231; D12/128-133; 5/81.1, 83.1, 428, 618, 620; 280/250.1; 297/19, 297/42, 46, 51, 55, 118-119

See application file for complete search history.

(56) **References Cited**

**U.S. PATENT DOCUMENTS**

658,999 A 10/1900 Scannel

(Continued)

**FOREIGN PATENT DOCUMENTS**

DE 3015644 A1 10/1981

GB 403503 12/1933

WO WO 2004/071366 A1 8/2004

**OTHER PUBLICATIONS**

International Search Report and Written Opinion dated Jun. 24, 2004, issued in International Patent Application No. PCT/US04/004431.

(Continued)

*Primary Examiner*—T. Chase Nelson

*Assistant Examiner*—Mark Cavanna

(74) *Attorney, Agent, or Firm*—Greenberg, Traurig, LLP

(57) **CLAIM**

The ornamental design for a medical examination cart, as shown and described.

**DESCRIPTION**

FIG. 1 is a front perspective view of a medical examination cart showing my new design, the cart being shown in an operational position;

FIG. 2 is a front elevational view of the medical examination cart shown in FIG. 1;

FIG. 3 is a rear elevational view of the medical examination cart shown in FIG. 1;

FIG. 4 is a top plan view of the medical examination cart shown in FIG. 1;

FIG. 5 is a bottom plan view of the medical examination cart shown in FIG. 1;

FIG. 6 is a left side elevational view of the medical examination cart shown in FIG. 1;

FIG. 7 is a right side elevational view of the medical examination cart shown in FIG. 1;

FIG. 8 is a front perspective view similar to FIG. 1, except that the cart is shown in combination with a hospital bed which forms no part of the claimed design and which is therefore depicted in phantom as environmental structure;

FIG. 9 is a front perspective view of the medical examination cart shown in FIG. 1, except that the cart is shown in a collapsed position for storage or transportation;

FIG. 10 is a front elevational view of the medical examination cart shown in FIG. 9;

FIG. 11 is a rear elevational view of the medical examination cart shown in FIG. 9;

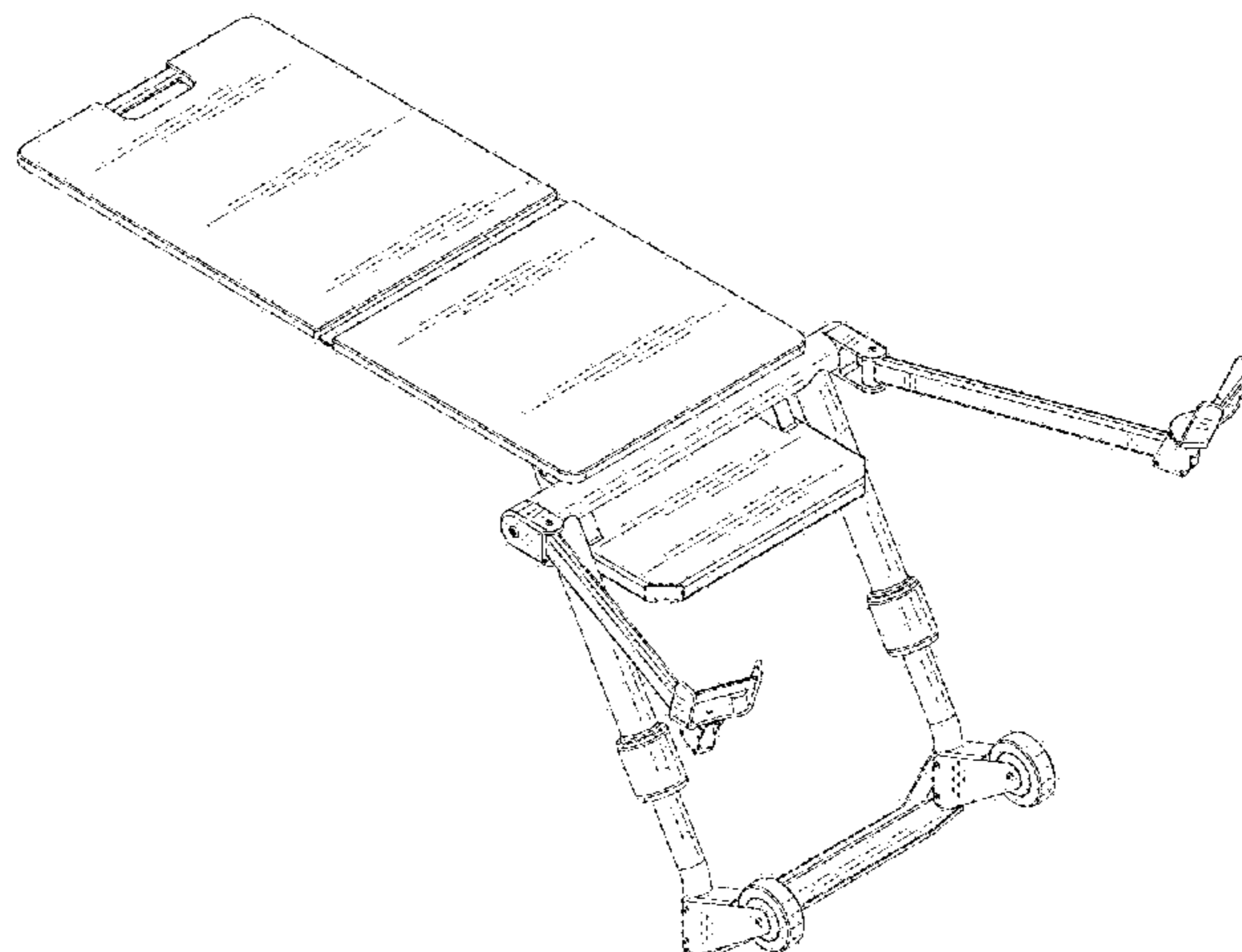
FIG. 12 is a left side elevational view of the medical examination cart shown in FIG. 9;

FIG. 13 is a right side elevational view of the medical examination cart shown in FIG. 9;

FIG. 14 is a top plan view of the medical examination cart shown in FIG. 9; and,

FIG. 15 is a bottom plan view of the medical examination cart shown in FIG. 9.

**1 Claim, 13 Drawing Sheets**



# US D615,207 S

Page 2

## U.S. PATENT DOCUMENTS

724,125 A 3/1903 Prindle  
804,089 A 11/1905 Blanc et al.  
1,409,330 A 3/1922 Aper  
1,568,498 A 1/1926 Caliver  
1,943,282 A 1/1934 Bellavia  
2,678,461 A 5/1954 Johnson  
2,679,445 A 5/1954 Roehm  
2,692,812 A 10/1954 Stahl  
2,963,332 A 12/1960 Breuning  
3,016,275 A 1/1962 Grant  
3,085,842 A 4/1963 Johnson  
3,334,951 A 8/1967 Douglass, Jr. et al.  
3,428,383 A 2/1969 Nobel  
3,715,148 A 2/1973 Beals  
3,768,971 A 10/1973 Fishpaw  
3,966,286 A 6/1976 Groseclose  
4,114,965 A 9/1978 Oye et al.  
D250,584 S 12/1978 Oye  
4,139,917 A 2/1979 Fenwick  
D263,995 S 4/1982 Steele  
D295,156 S 4/1988 Olsson  
4,736,998 A 4/1988 Wilson et al.  
4,790,610 A 12/1988 Welch et al.  
D304,075 S 10/1989 Welch  
4,913,413 A 4/1990 Raab  
D311,509 S \* 10/1990 Failor et al. .... D12/131  
D332,855 S 1/1993 Royse et al.  
5,184,601 A 2/1993 Putman  
5,299,338 A 4/1994 Foster  
5,399,007 A 3/1995 Marconet  
5,405,587 A 4/1995 Fernandez et al.  
5,518,310 A 5/1996 Ellman et al.  
5,547,270 A 8/1996 Dang  
5,564,803 A 10/1996 McDonald et al.  
5,662,396 A 9/1997 Reeder et al.

5,702,115 A 12/1997 Pool  
D409,120 S 5/1999 Aughpin  
D414,143 S \* 9/1999 Brotherston ..... D12/128  
D418,779 S 1/2000 Greaves et al.  
6,022,088 A 2/2000 Metzler  
D430,078 S \* 8/2000 Ellis et al. .... D12/131  
D454,319 S 3/2002 Ito  
D456,751 S 5/2002 Williams  
D463,563 S 9/2002 Schoenig et al.  
6,619,768 B1 9/2003 Northrop et al.  
6,663,202 B2 12/2003 Spann  
D498,184 S 11/2004 Gustafsson  
D498,712 S 11/2004 Jamison et al.  
D504,848 S 5/2005 Freeborn et al.  
D512,149 S 11/2005 Bochner et al.  
D519,064 S \* 4/2006 Schrand et al. .... D12/130  
7,024,711 B1 4/2006 Stasney et al.  
D522,143 S 5/2006 Cartwright  
D540,949 S 4/2007 Sundstrom  
D550,361 S 9/2007 Cartwright  
D554,261 S 10/2007 Meoli et al.  
7,275,796 B2 10/2007 Bochner et al.  
7,311,657 B2 12/2007 Boone et al.  
D602,404 S \* 10/2009 Cusack et al. .... D12/128  
2004/0160147 A1 8/2004 Bochner  
2007/0035217 A1 2/2007 Bochner et al.  
2009/0179533 A1 7/2009 Bochner

## OTHER PUBLICATIONS

International Preliminary Report on Patentability dated Feb. 1, 2005, issued in International Patent Application No. PCT/US04/004431.  
Non-final Office Action dated Apr. 10, 2009, issued in U.S. Appl. No. 10/545,033.  
U.S. Appl. No. 29/333,103 entitled "Medical Examination Cart", filed Mar. 3, 2009.

\* cited by examiner

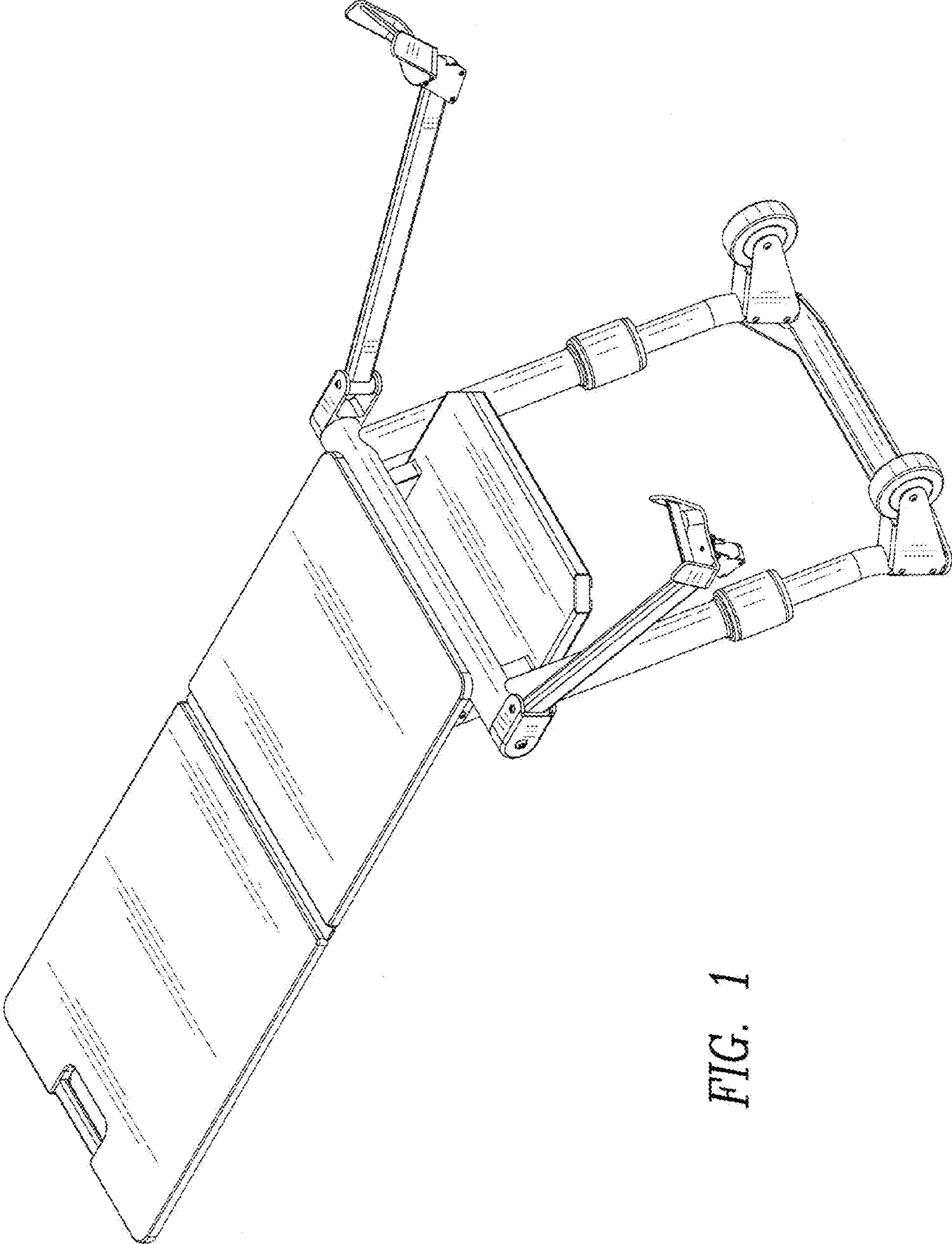


FIG. 1

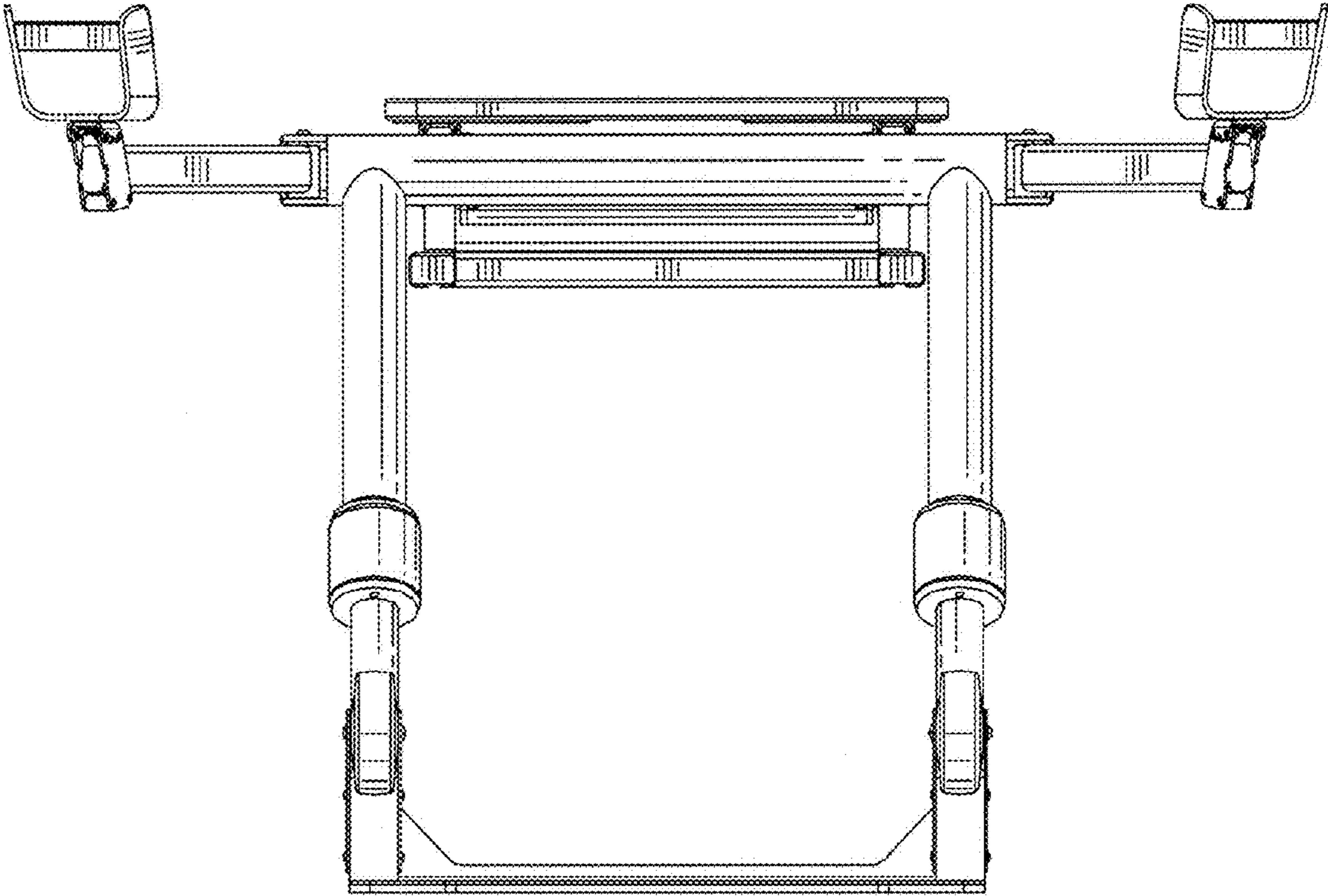


FIG. 2

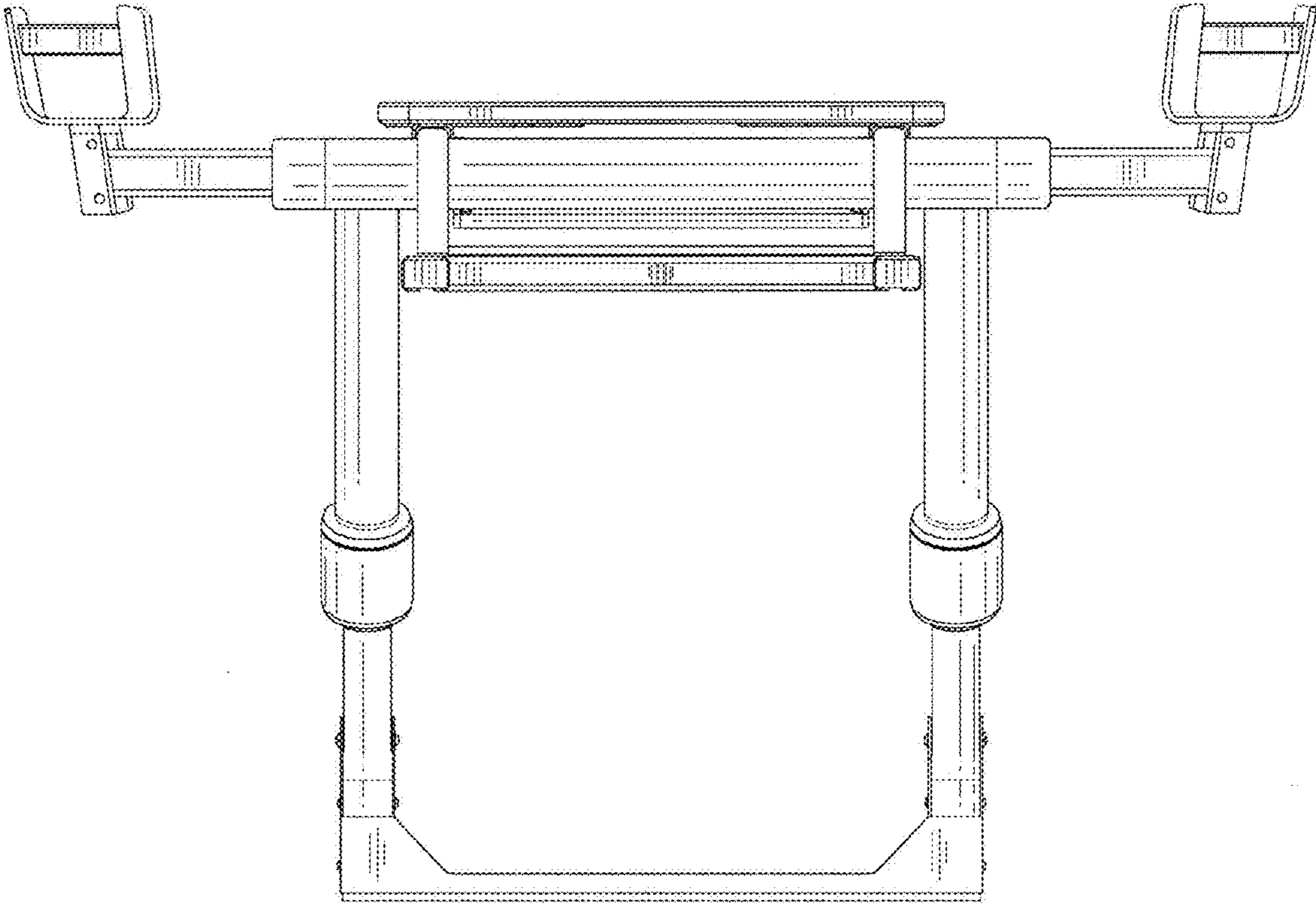


FIG. 3

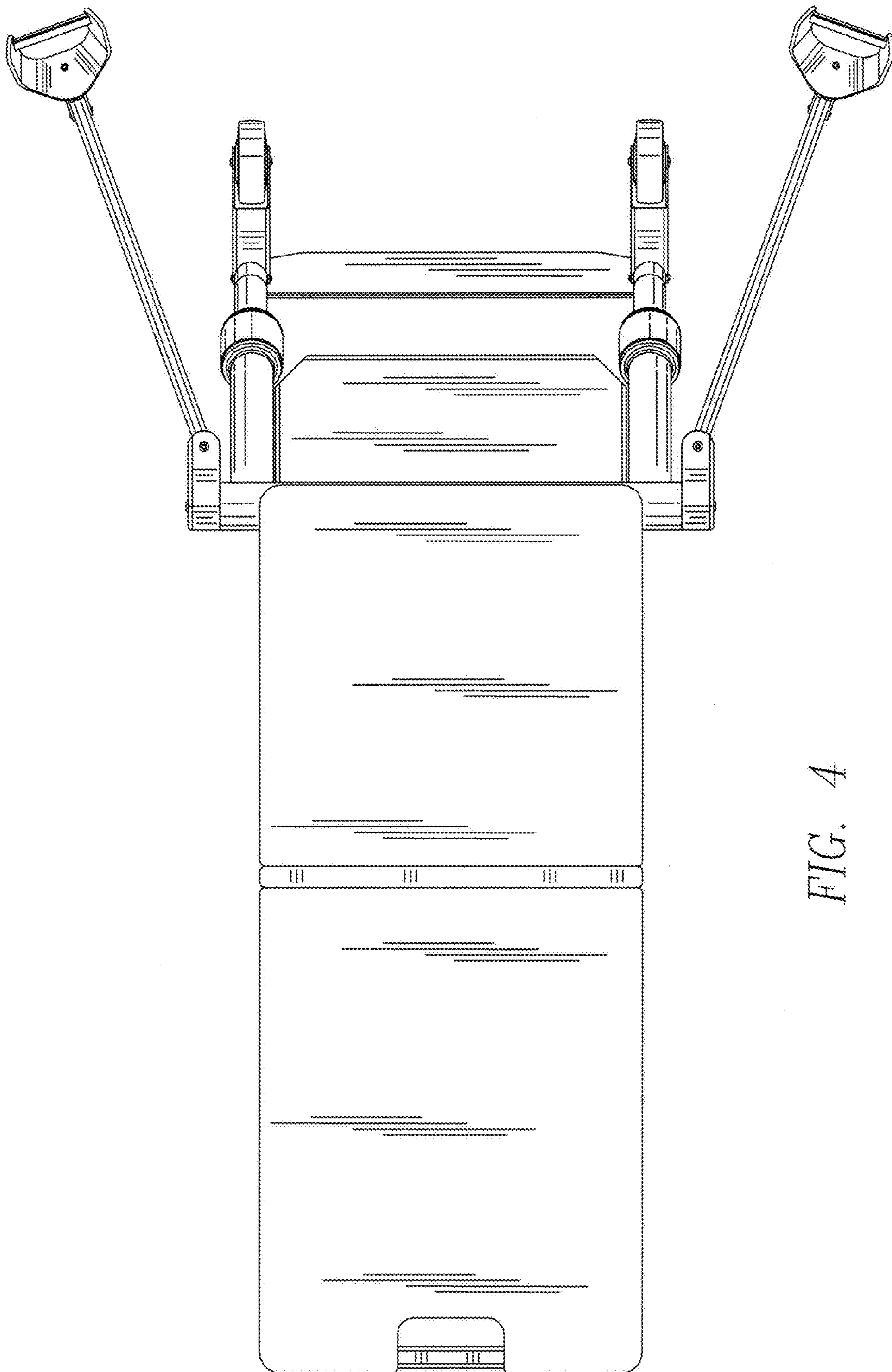


FIG. 4

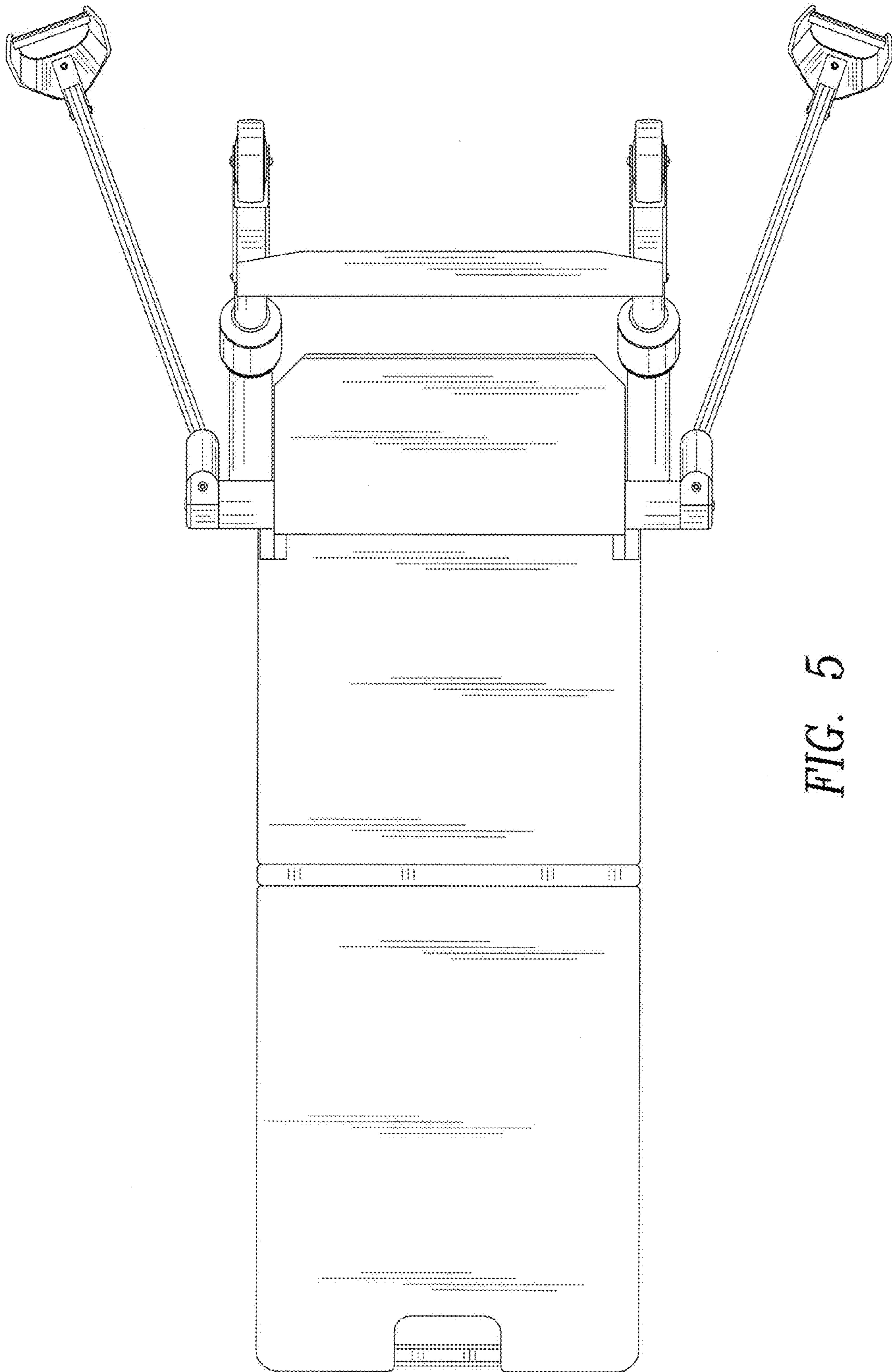


FIG. 5

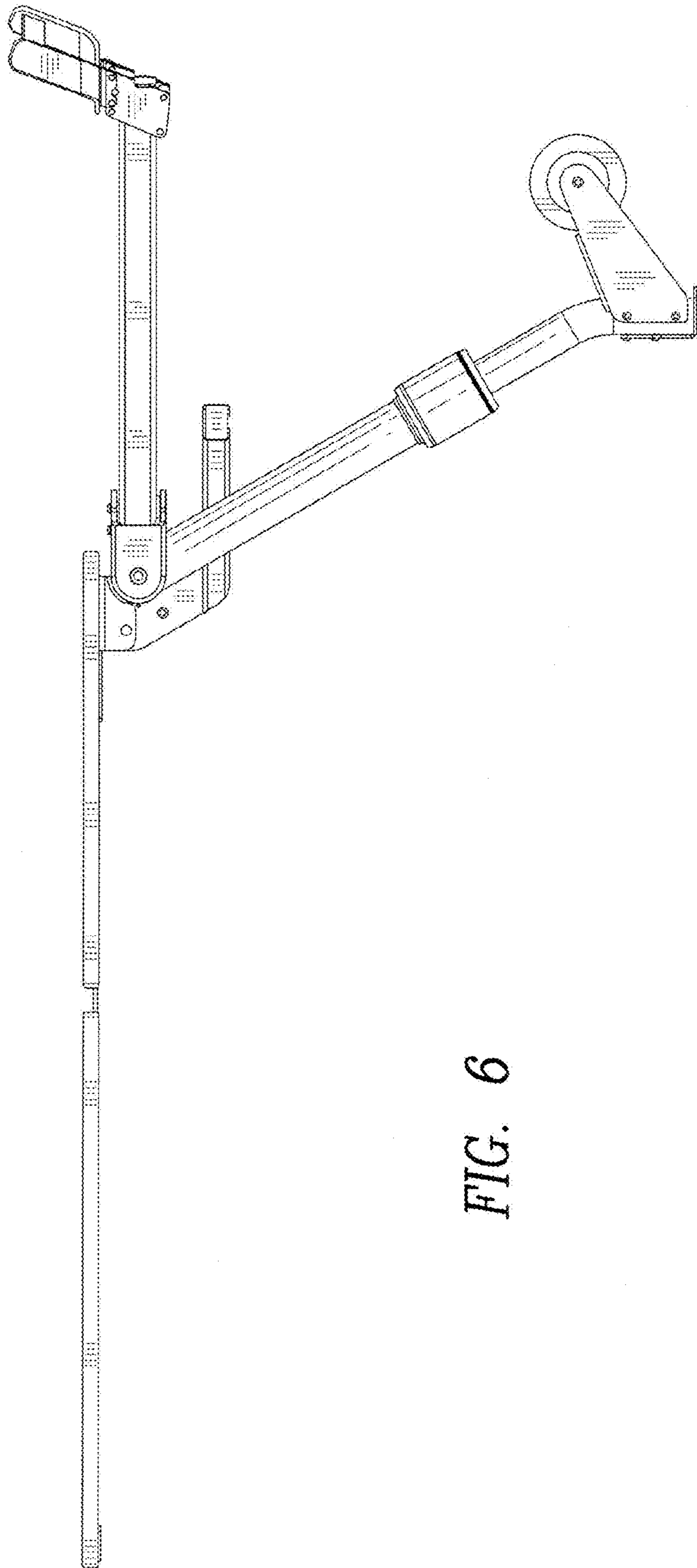


FIG. 6



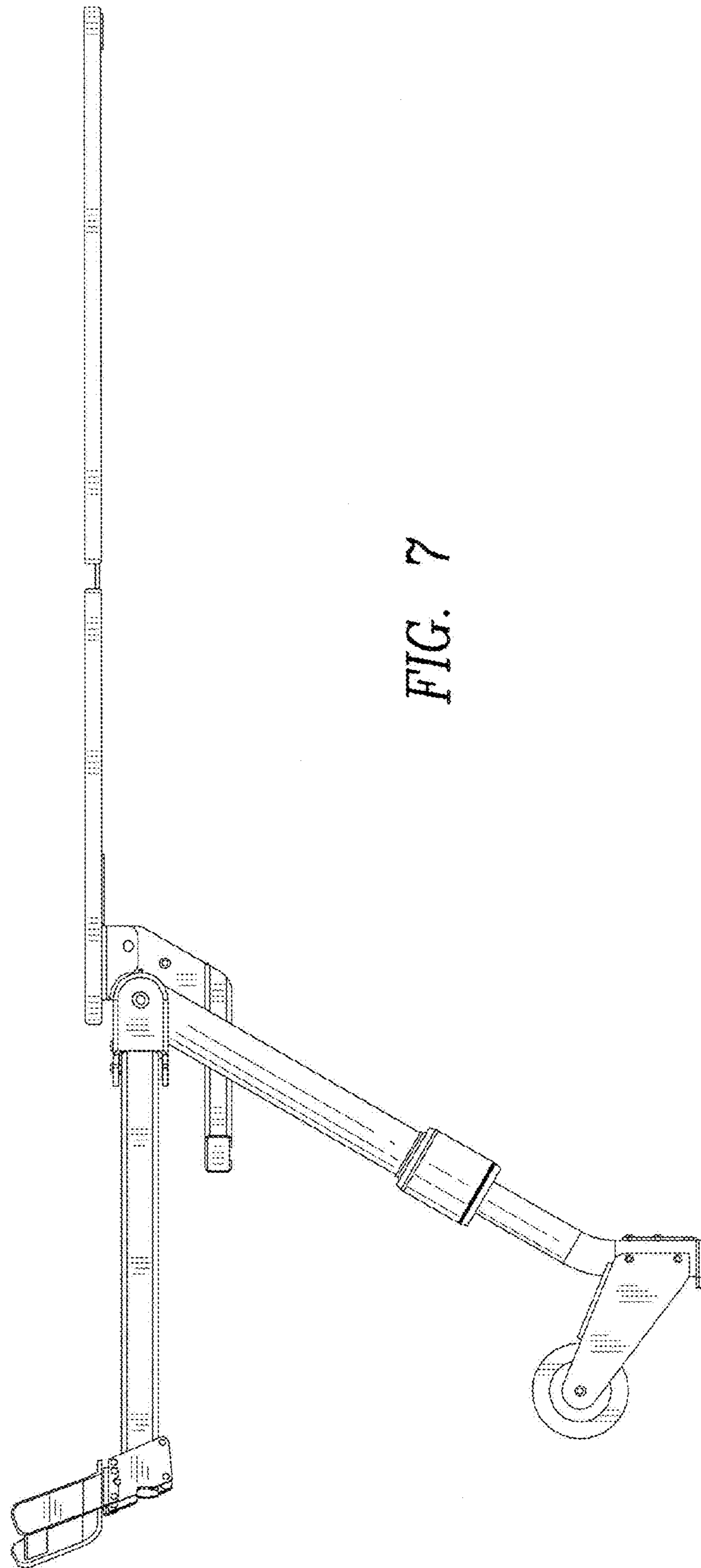


FIG. 7

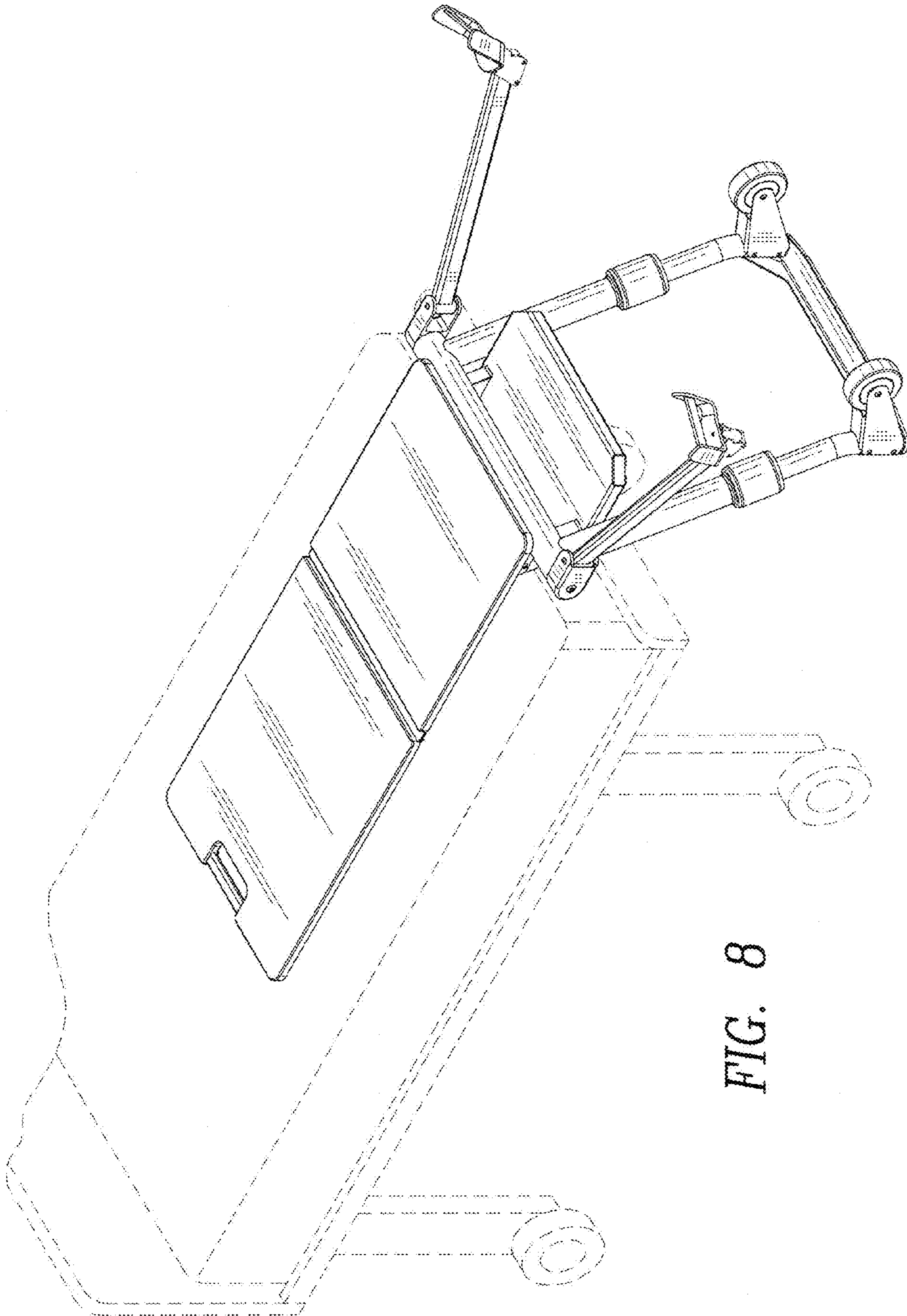


FIG. 8

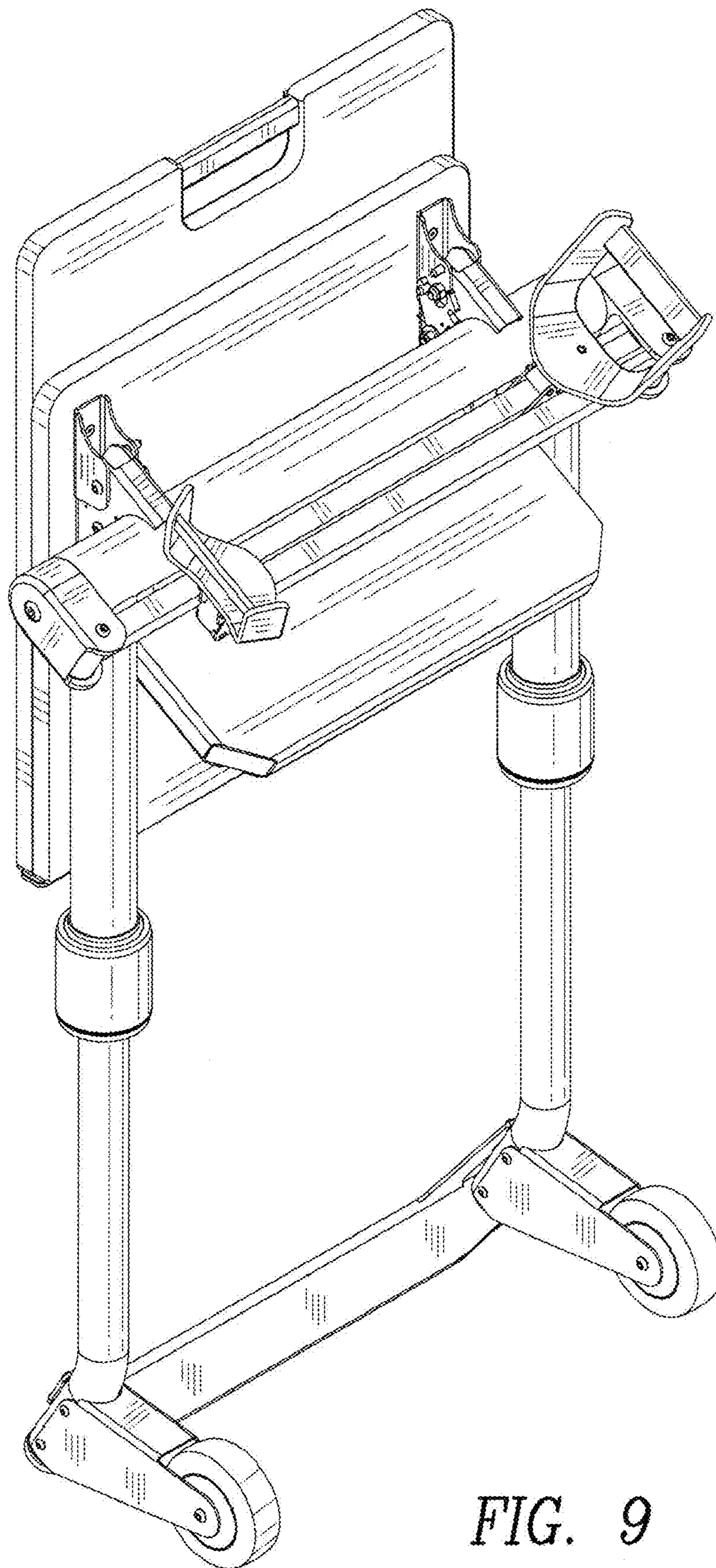


FIG. 9

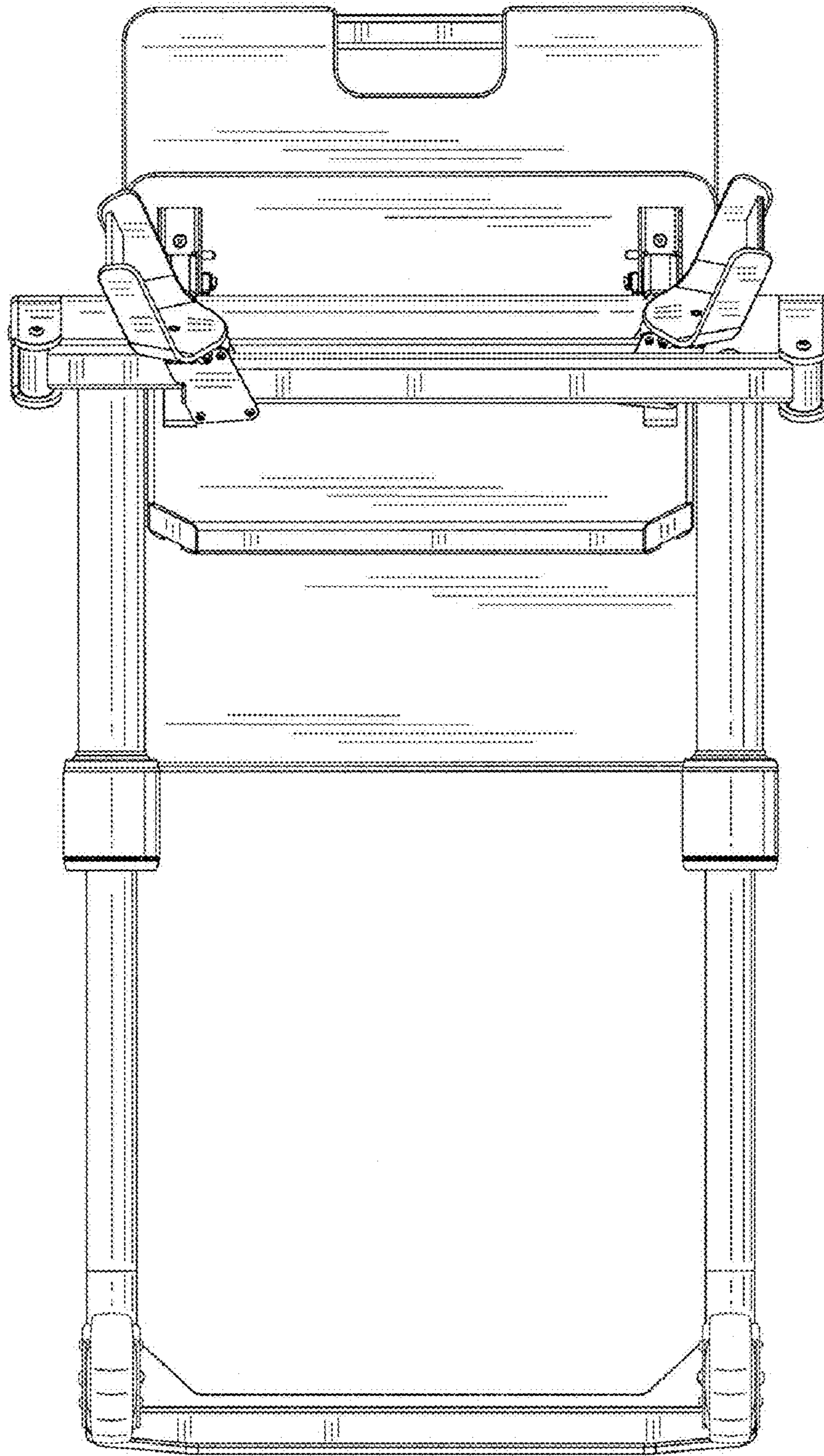


FIG. 10

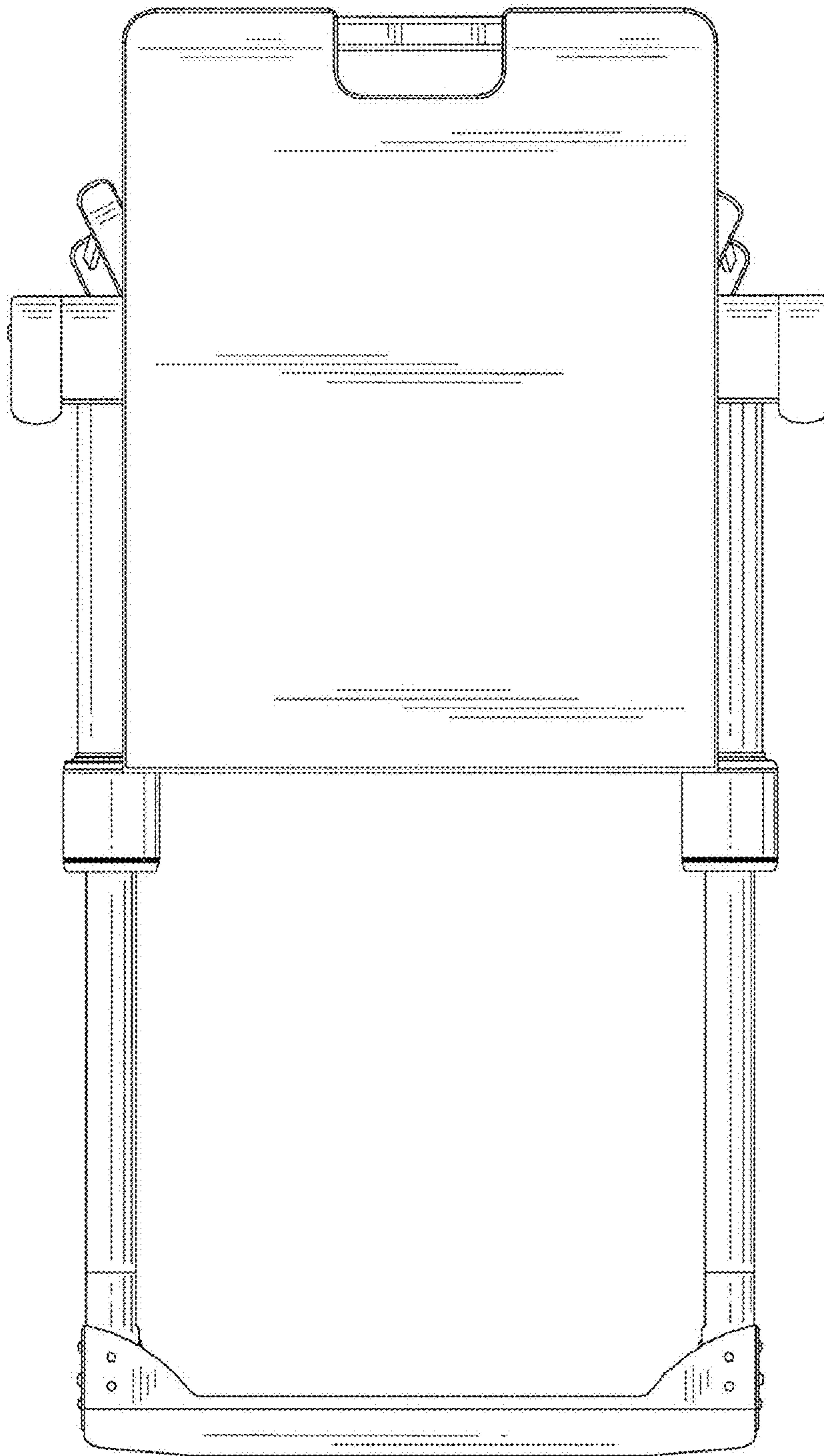


FIG. 11

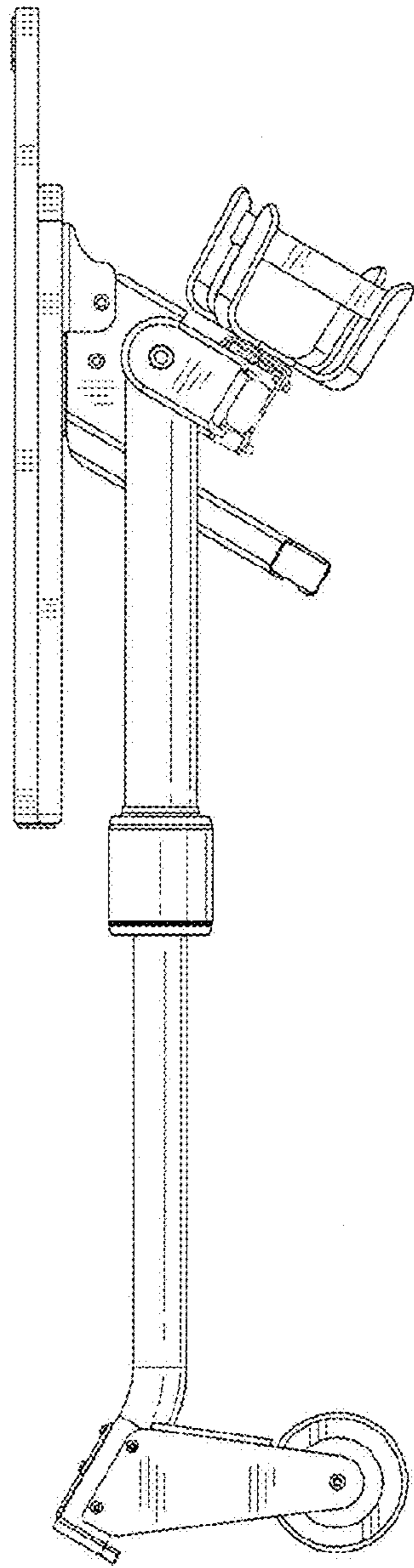


FIG. 12

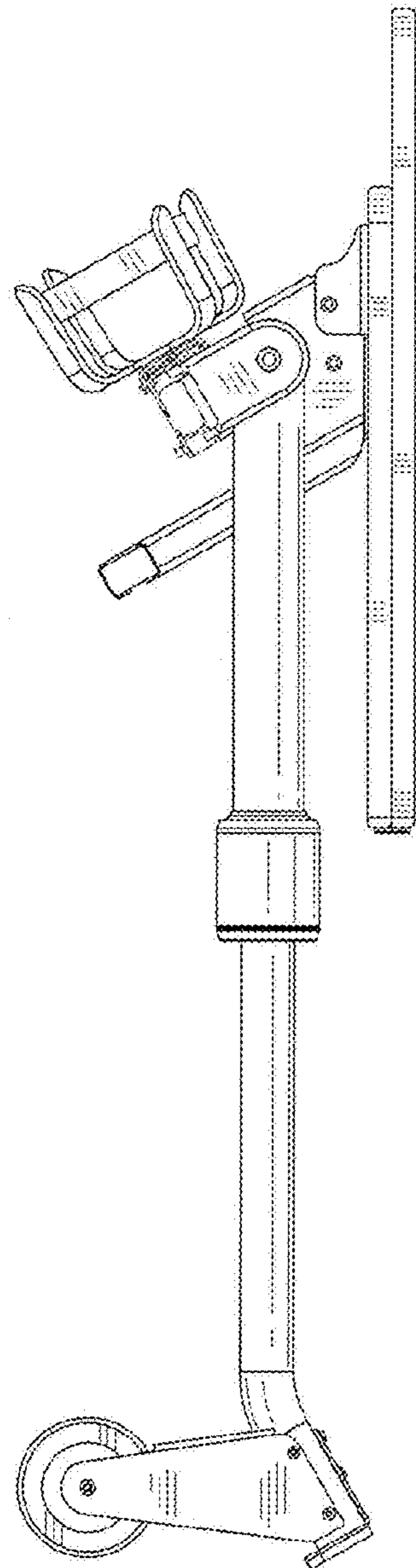
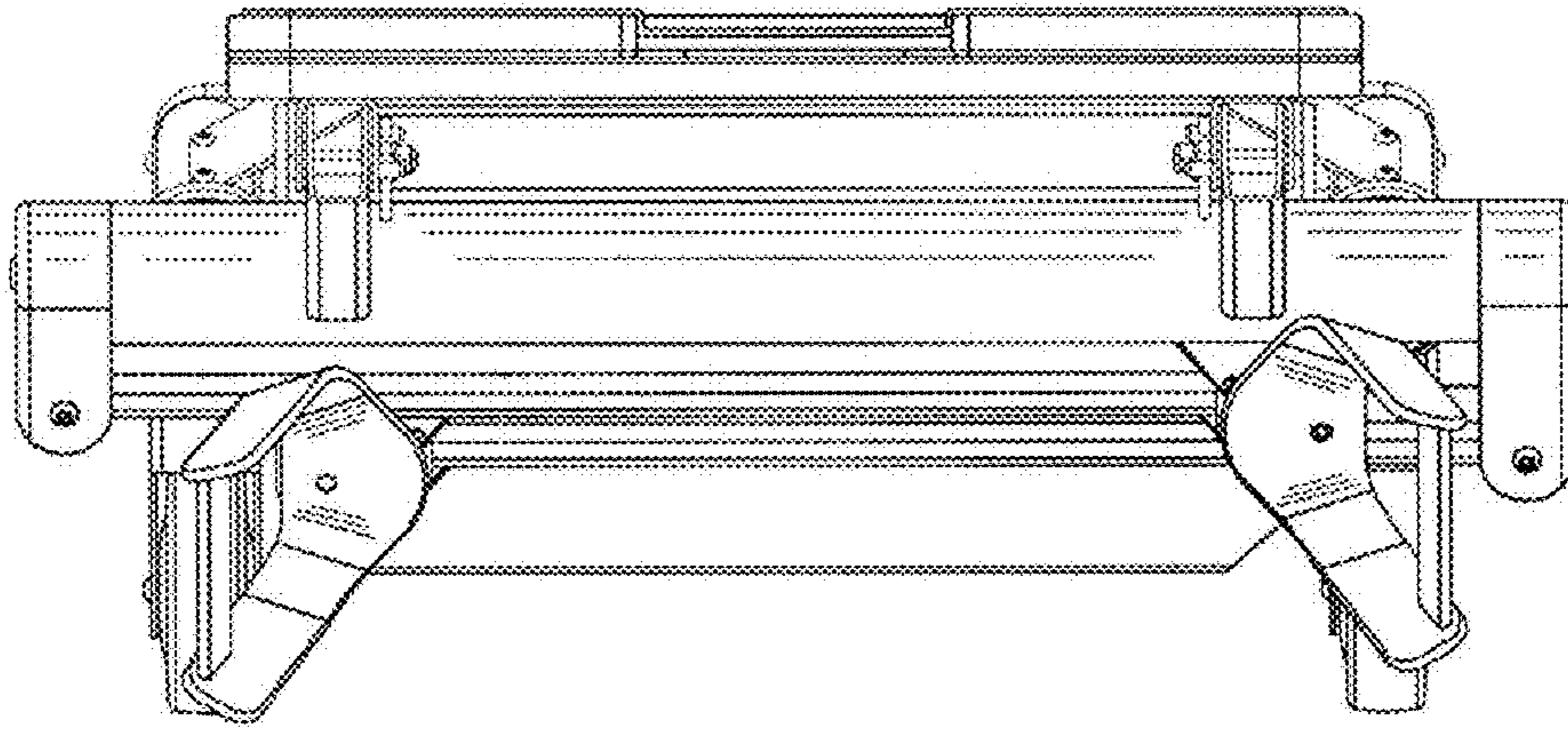
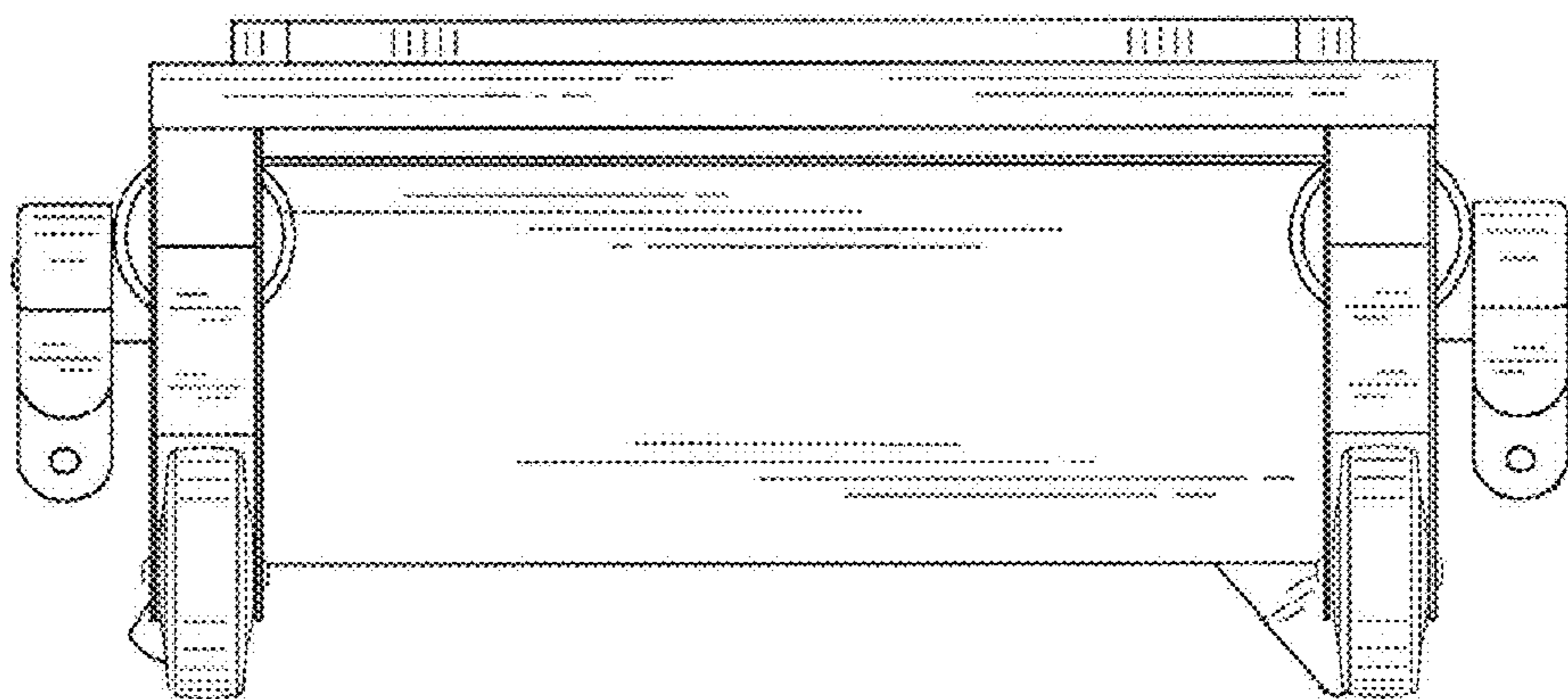


FIG. 13



*FIG. 14*



*FIG. 15*