



US00D615200S

(12) **United States Design Patent**
Hahn et al.

(10) **Patent No.:** **US D615,200 S**

(45) **Date of Patent:** **** May 4, 2010**

(54) **SHAFT FOR MEDICAL INSTRUMENT**

(75) Inventors: **Martin Hahn**, Boll (DE); **Alexander Kupferschmid**, Emmingen-Liptingen (DE)

(73) Assignee: **Karl Storz GmbH & Co. KG** (DE)

(**) Term: **14 Years**

(21) Appl. No.: **29/332,924**

(22) Filed: **Feb. 27, 2009**

(30) **Foreign Application Priority Data**

Aug. 29, 2008 (EM) 000994058-0007

(51) **LOC (9) Cl.** **24-02**

(52) **U.S. Cl.** **D24/138; D24/133; D24/147**

(58) **Field of Classification Search** D24/108,
D24/133, 137-138, 146-147; 600/101, 104-105,
600/112-114, 131, 135-138, 153, 156; 285/316;
606/46, 49, 96, 170, 172, 180, 205

See application file for complete search history.

(56) **References Cited**

U.S. PATENT DOCUMENTS

1,967,015	A *	7/1934	Wappler	606/49
2,691,370	A *	10/1954	Wallace	600/104
4,951,977	A *	8/1990	Shutt	285/316
4,959,058	A *	9/1990	Michelson	604/523
4,973,321	A *	11/1990	Michelson	604/523
5,031,603	A *	7/1991	Gautier et al.	600/135
5,807,240	A *	9/1998	Muller et al.	600/135
6,110,128	A *	8/2000	Andelin et al.	600/566

D571,007	S *	6/2008	Rehbein et al.	D24/133
D573,257	S *	7/2008	Rehbein et al.	D24/133
D594,121	S *	6/2009	Berberich et al.	D24/133

* cited by examiner

Primary Examiner—Ian Simmons

Assistant Examiner—Wan Laymon

(74) *Attorney, Agent, or Firm*—St. Onge Steward Johnston & Reens LLC

(57) **CLAIM**

The ornamental design for a shaft for medical instrument, as shown and described.

DESCRIPTION

FIG. 1 is a left side perspective view of a shaft for medical instrument in accordance with the new design;

FIG. 2 is a left side view thereof;

FIG. 3 is a right side view thereof;

FIG. 4 is a top view thereof;

FIG. 5 is a bottom view thereof;

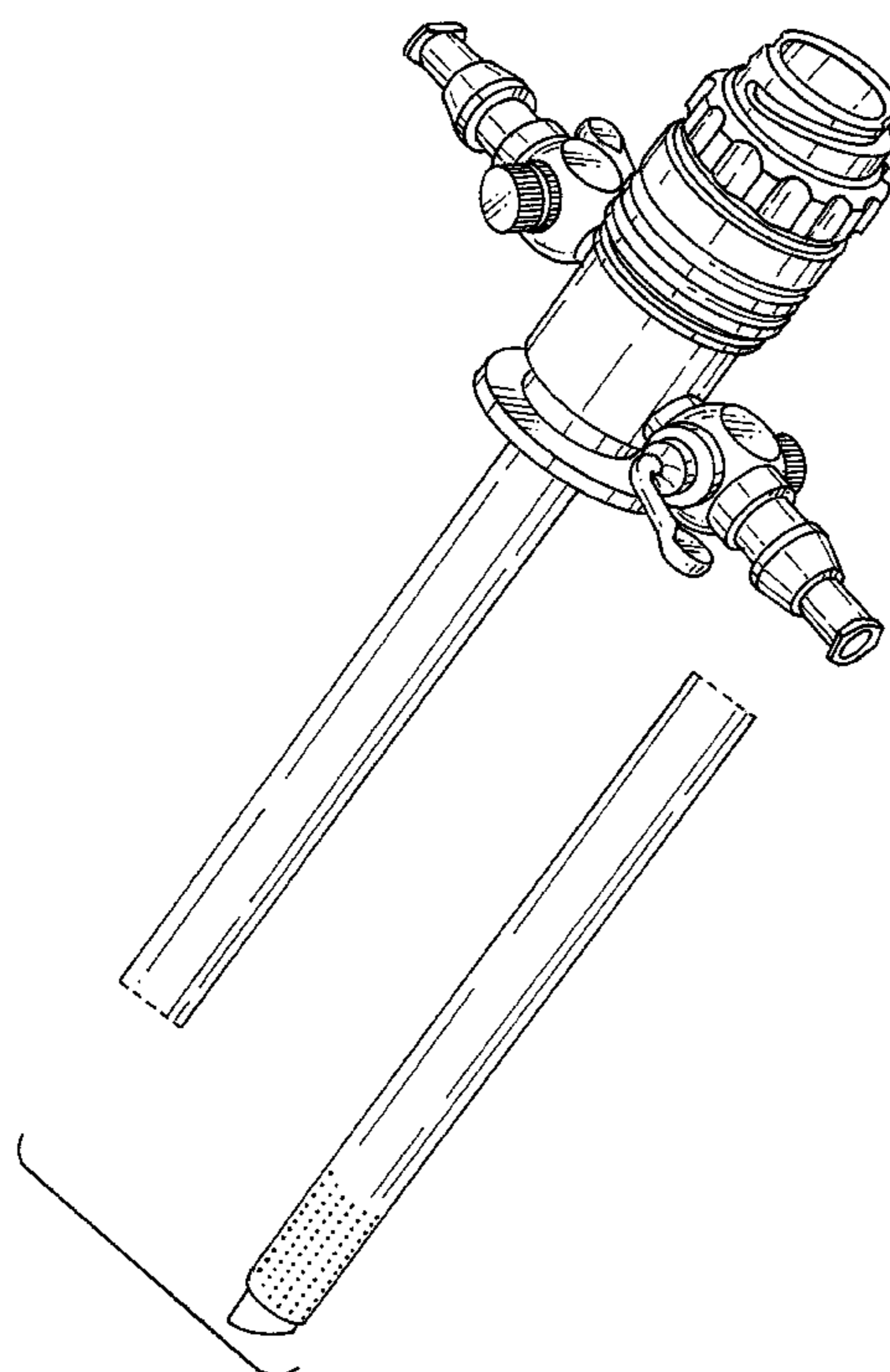
FIG. 6 is a rear view thereof; and,

FIG. 7 is a front view thereof.

FIGS. 1-5 shown as broken in the middle and embraced with a bracket are to indicate that no particular length is claimed.

The broken lines immediately adjacent to the shaded areas represent the bounds of the claimed design while all other broken line showing portions of the shaft for medical instrument is included for illustrating environmental structure and forms no part of the claimed design.

1 Claim, 6 Drawing Sheets



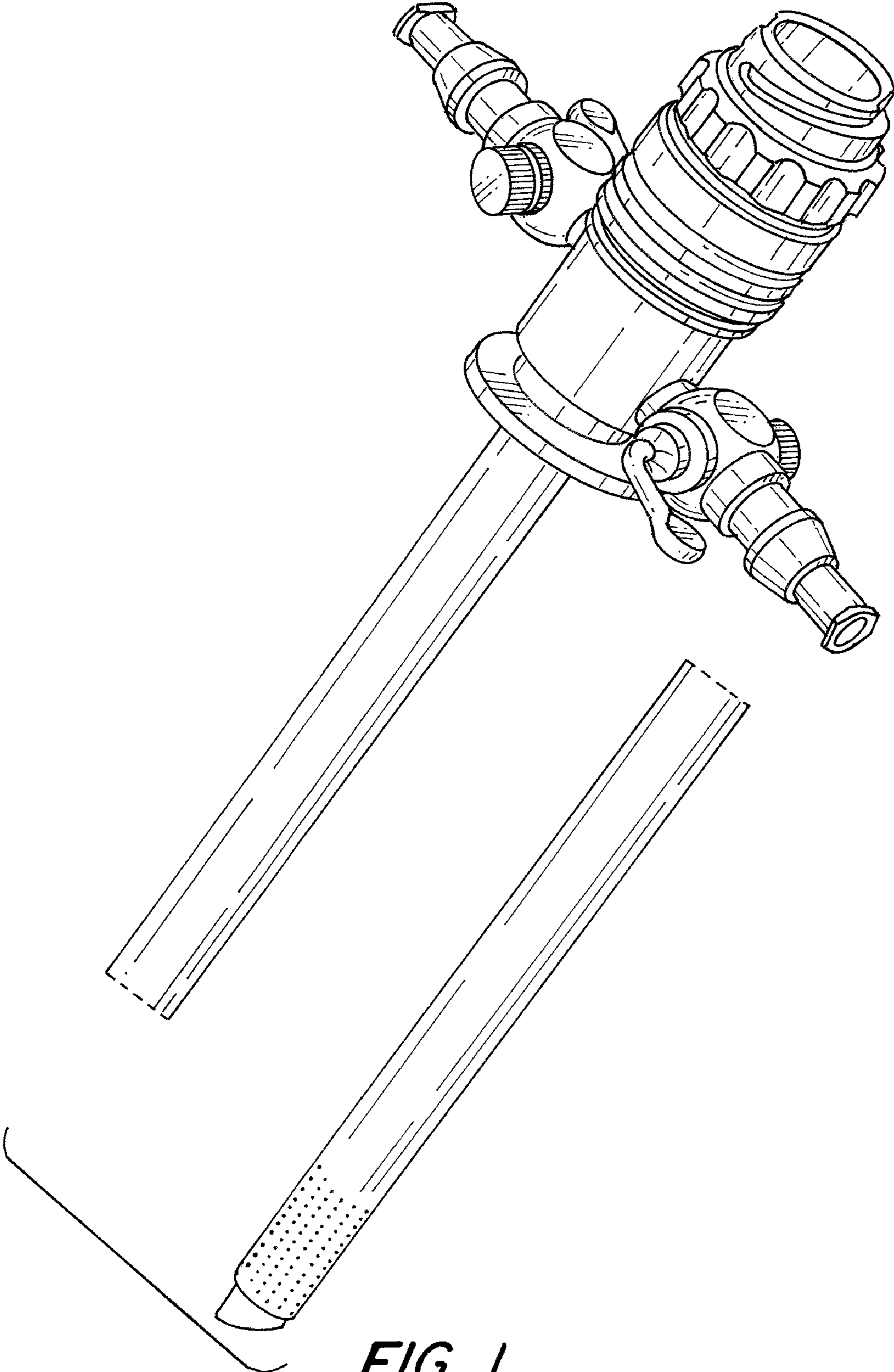


FIG. 1

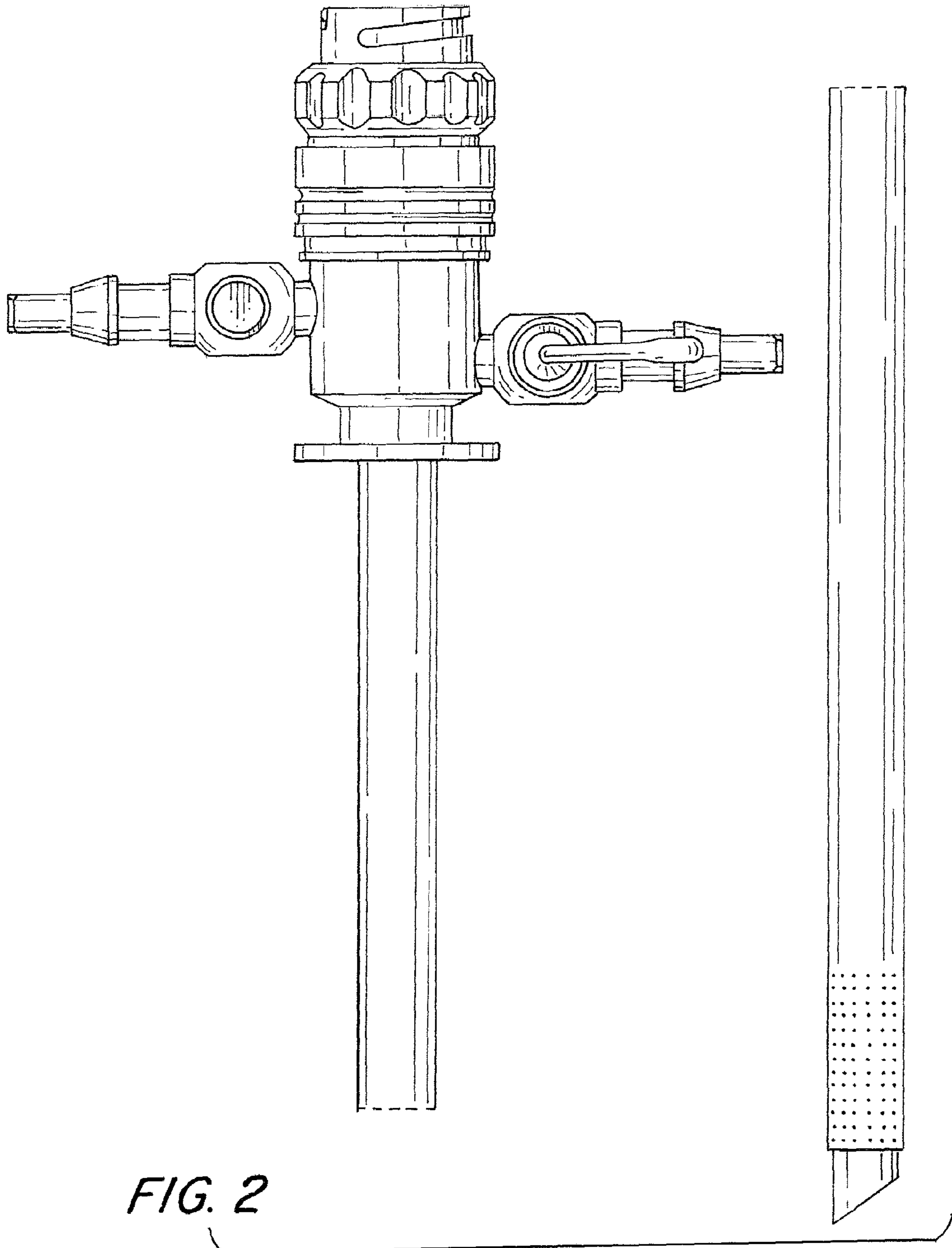


FIG. 2

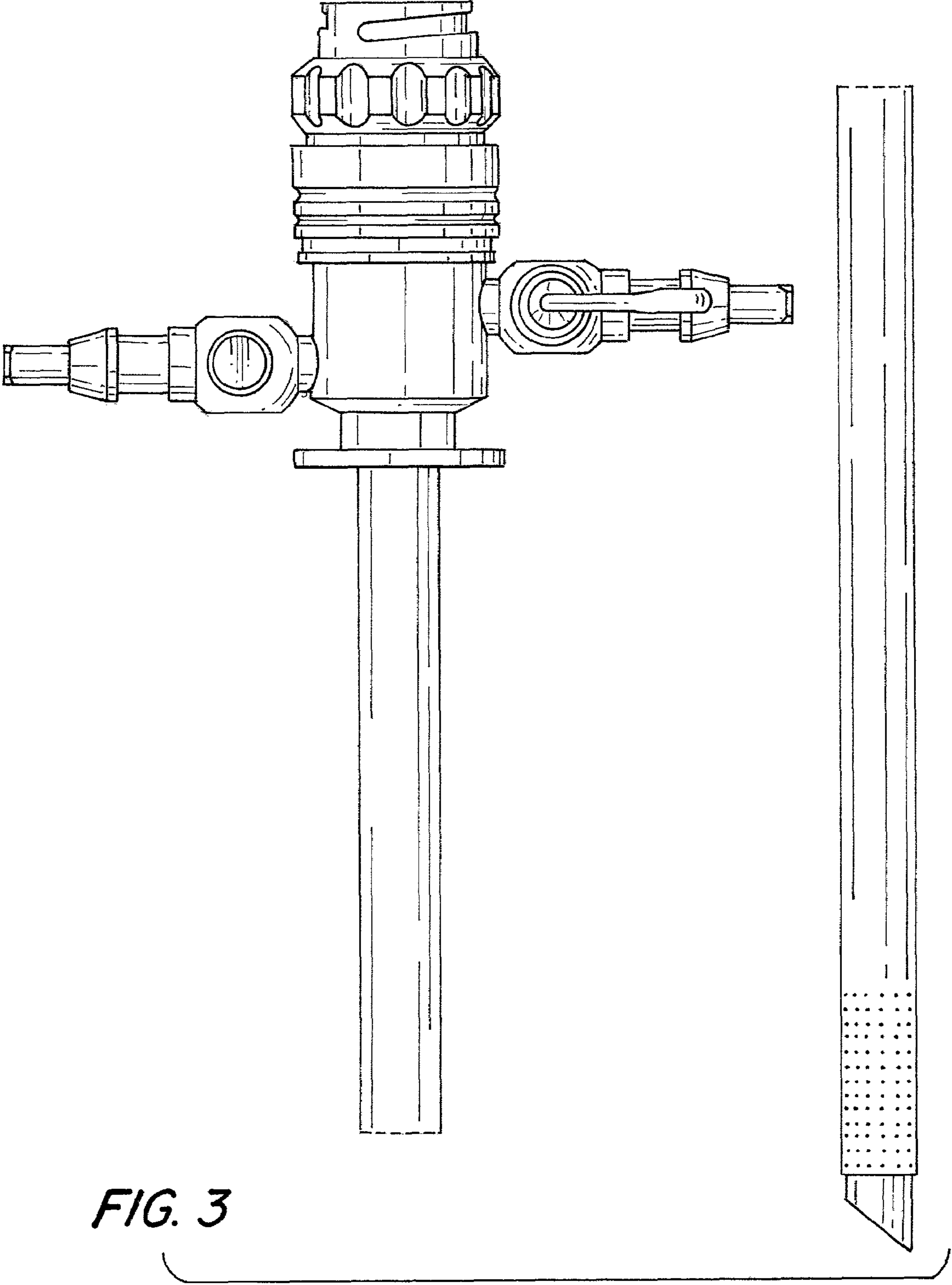


FIG. 3

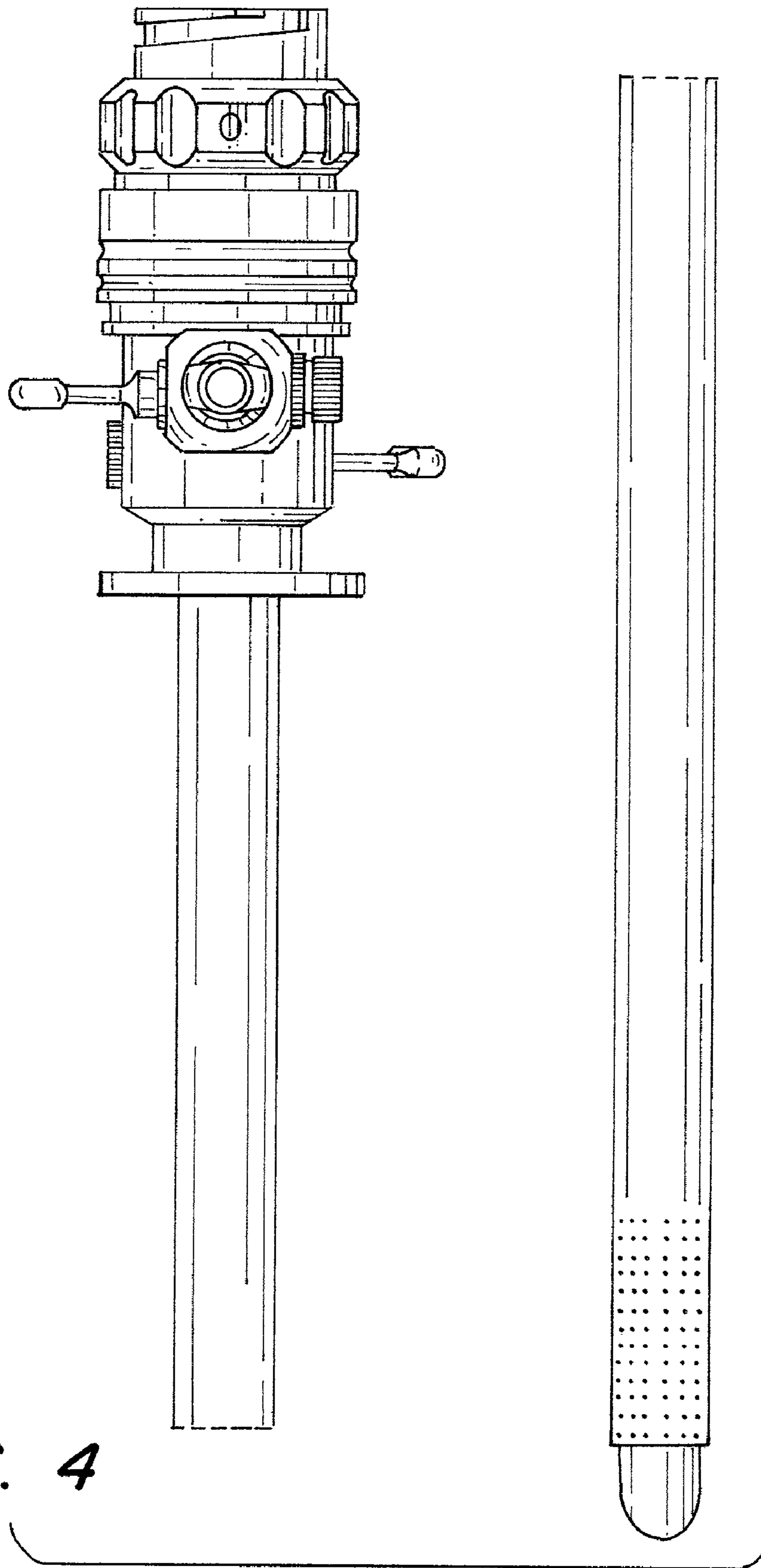


FIG. 4

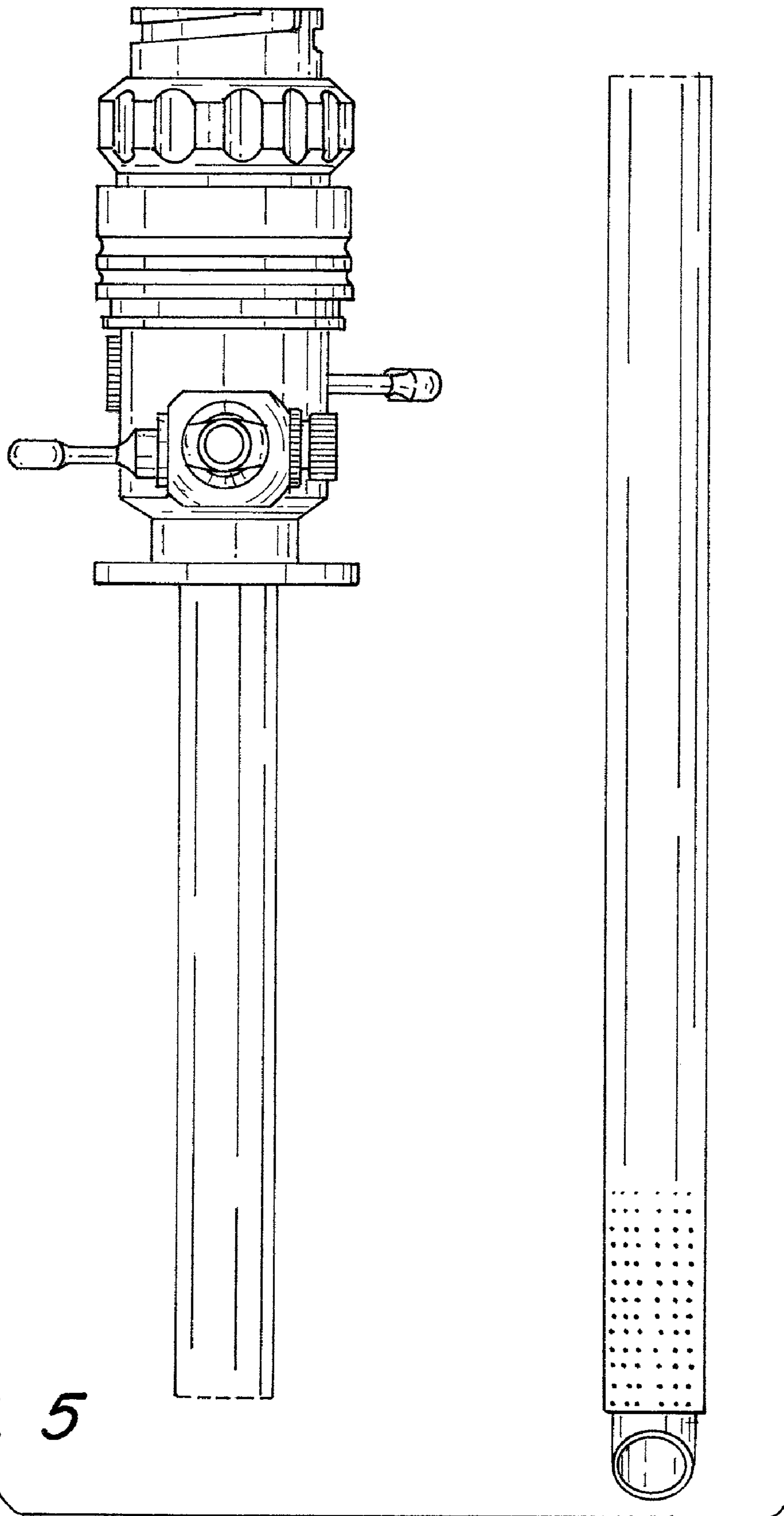


FIG. 5

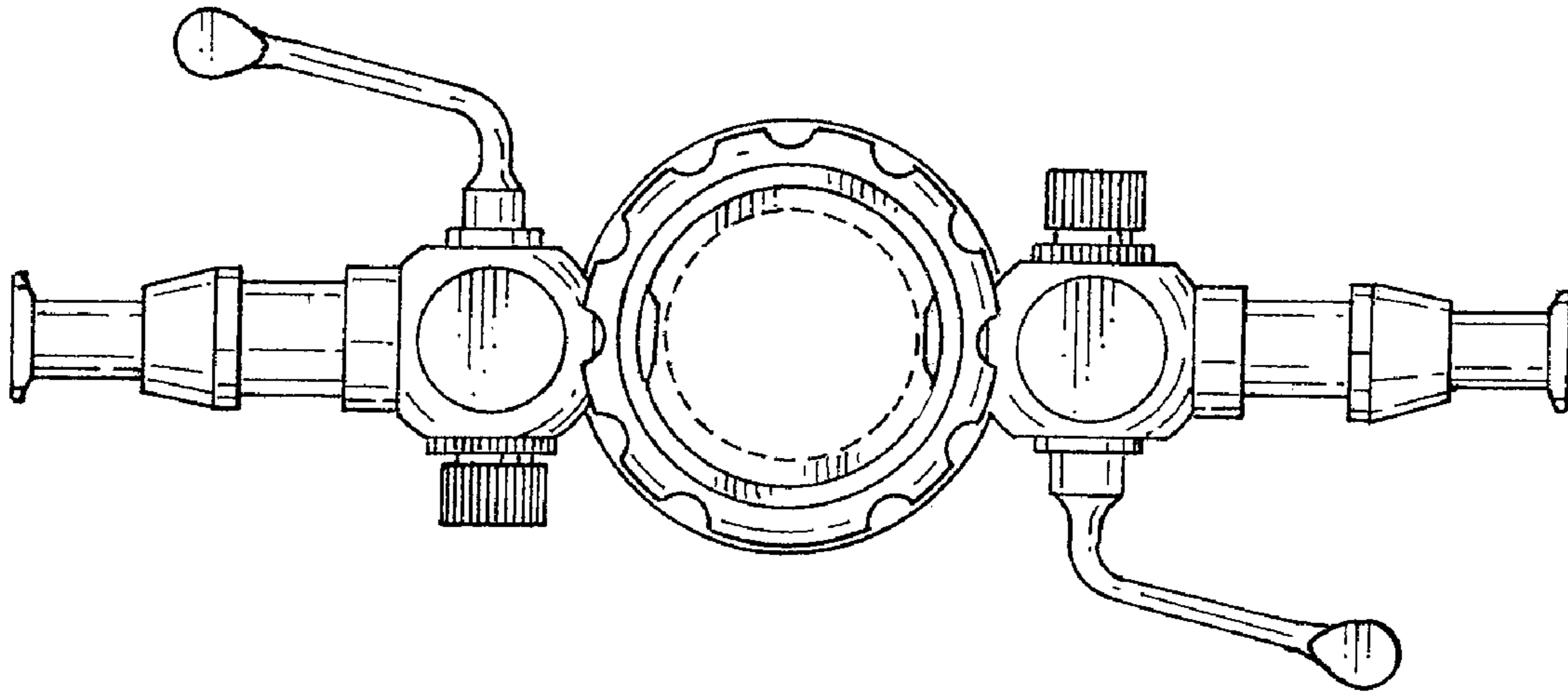


FIG. 6

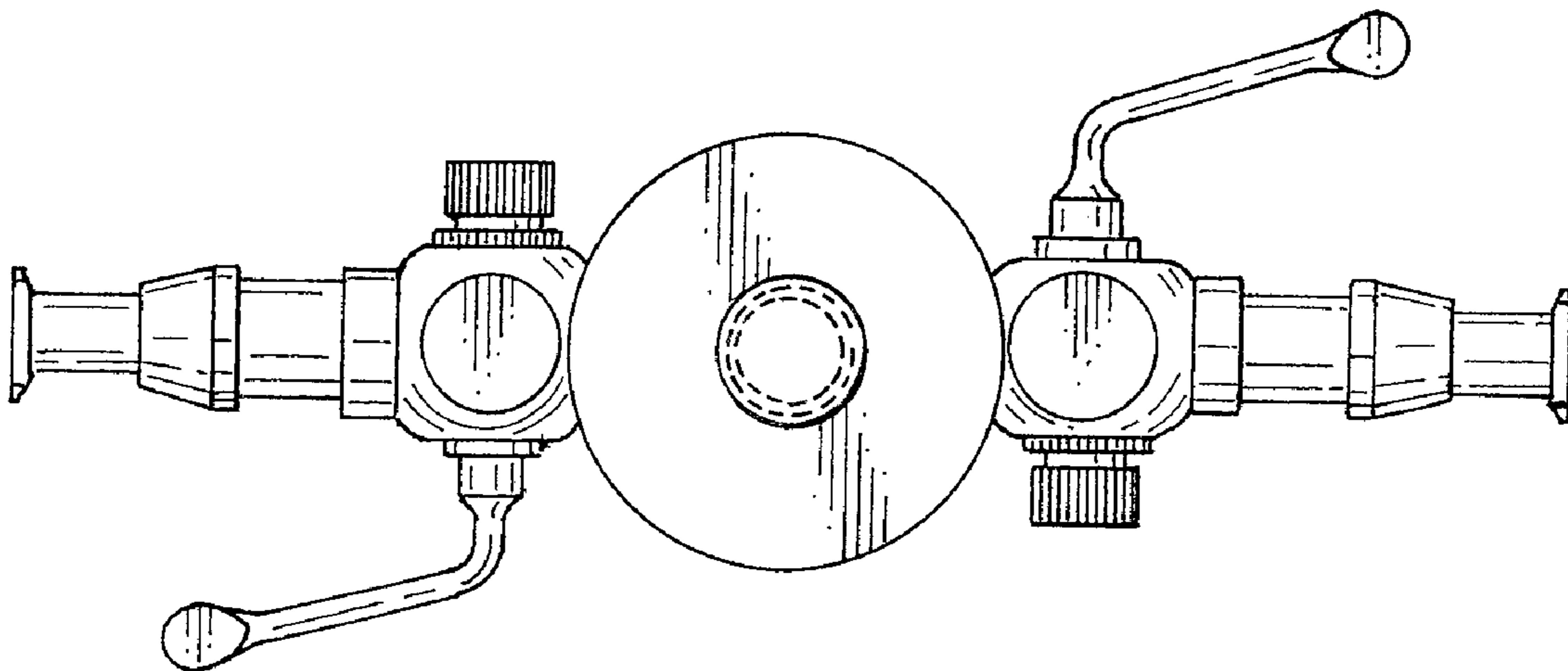


FIG. 7