



US00D615199S

(12) **United States Design Patent**
Zimmerli et al.

(10) **Patent No.:** **US D615,199 S**

(45) **Date of Patent:** **** May 4, 2010**

(54) **MONITOR**

(75) Inventors: **Fabian Zimmerli**, Zurich (CH);
Raphael Spycher, Winterthur (CH);
Dieter Huels, Stockach (DE)

(73) Assignee: **Karl Storz GmbH & Co. KG** (DE)

(**) Term: **14 Years**

(21) Appl. No.: **29/318,002**

(22) Filed: **May 12, 2008**

(30) **Foreign Application Priority Data**

Nov. 12, 2007 (EM) 000824495

(51) **LOC (9) Cl.** **24-02**

(52) **U.S. Cl.** **D24/137; D24/138; D24/186**

(58) **Field of Classification Search** D24/133,
D24/135, 176, 152, 156, 140, 141, 143, 137,
D24/138, 160, 186; 600/206, 214, 164, 157,
600/156, 200, 113, 135, 138, 121, 131, 153;
606/191, 196, 197, 198; D14/125, 126, 371,
D14/374

See application file for complete search history.

(56) **References Cited**

U.S. PATENT DOCUMENTS

D356,548 S * 3/1995 Bottcher et al. D14/341
D455,748 S * 4/2002 Yamada D14/374
D507,832 S * 7/2005 Yanniello et al. D24/111
D508,693 S * 8/2005 Morisawa D14/336

D538,432 S * 3/2007 Diener et al. D24/160
D545,784 S * 7/2007 Dayan D14/126
D551,185 S * 9/2007 Choe D14/126
D562,318 S * 2/2008 Ward D14/374
D562,456 S * 2/2008 Scruggs et al. D24/160
D587,469 S * 3/2009 Lin D6/308
D589,476 S * 3/2009 Li et al. D14/126
D595,250 S * 6/2009 Chiu D14/126
D599,905 S * 9/2009 Matsushita D24/138
D605,145 S * 12/2009 Kellar D14/125

* cited by examiner

Primary Examiner—Ian Simmons

Assistant Examiner—Charles D Hanson

(74) *Attorney, Agent, or Firm*—St. Onge Steward Johnston & Reens LLC

(57) **CLAIM**

The ornamental design for a monitor, as shown and described.

DESCRIPTION

FIG. 1 is a front isometric view of a monitor in accordance with the new design;

FIG. 2 is a front elevational view thereof;

FIG. 3 is a right side elevational view thereof;

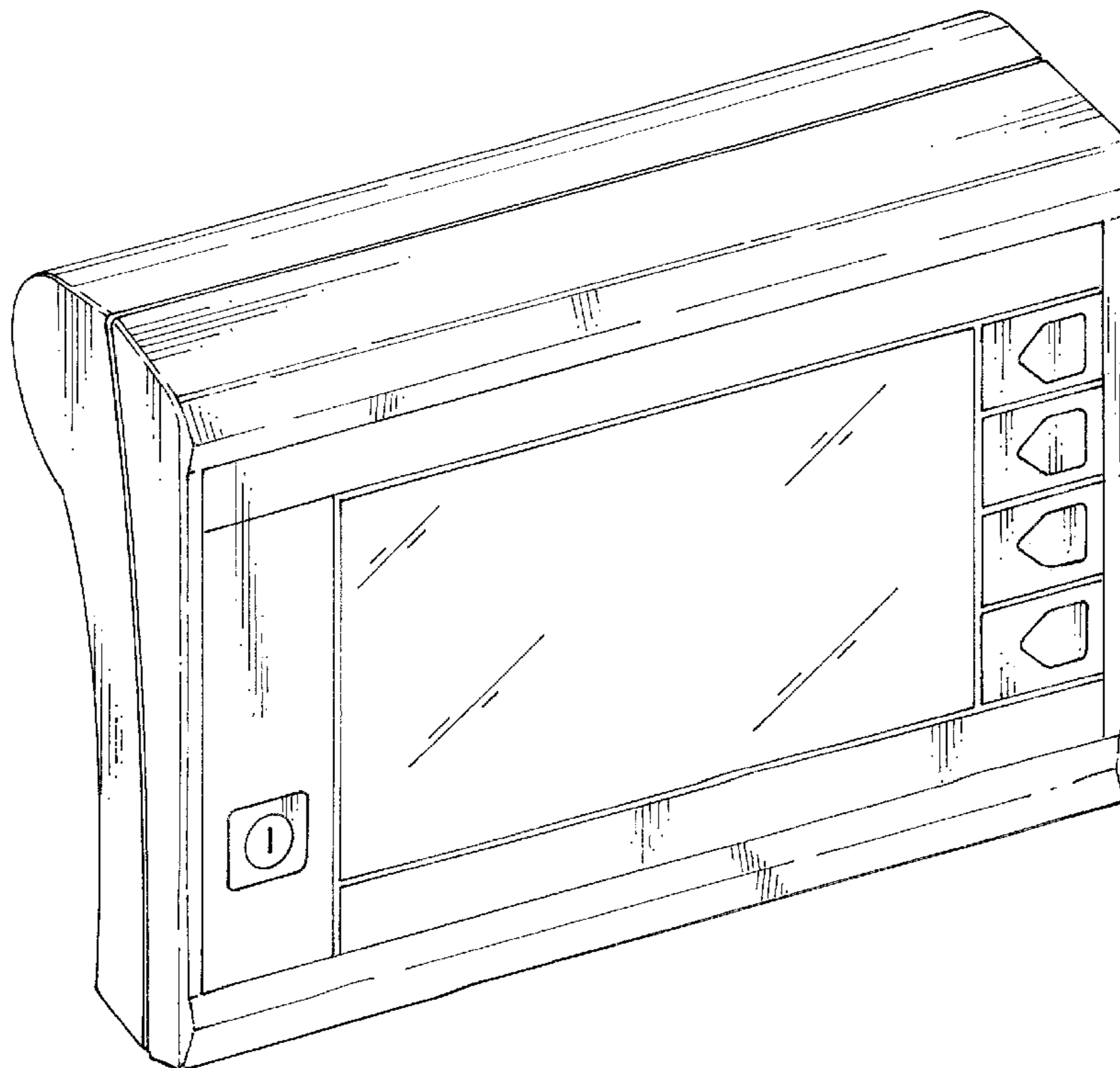
FIG. 4 is a left side elevational view thereof;

FIG. 5 is a top plan view thereof;

FIG. 6 is a bottom plan view thereof; and,

FIG. 7 is a rear elevational thereof.

1 Claim, 5 Drawing Sheets



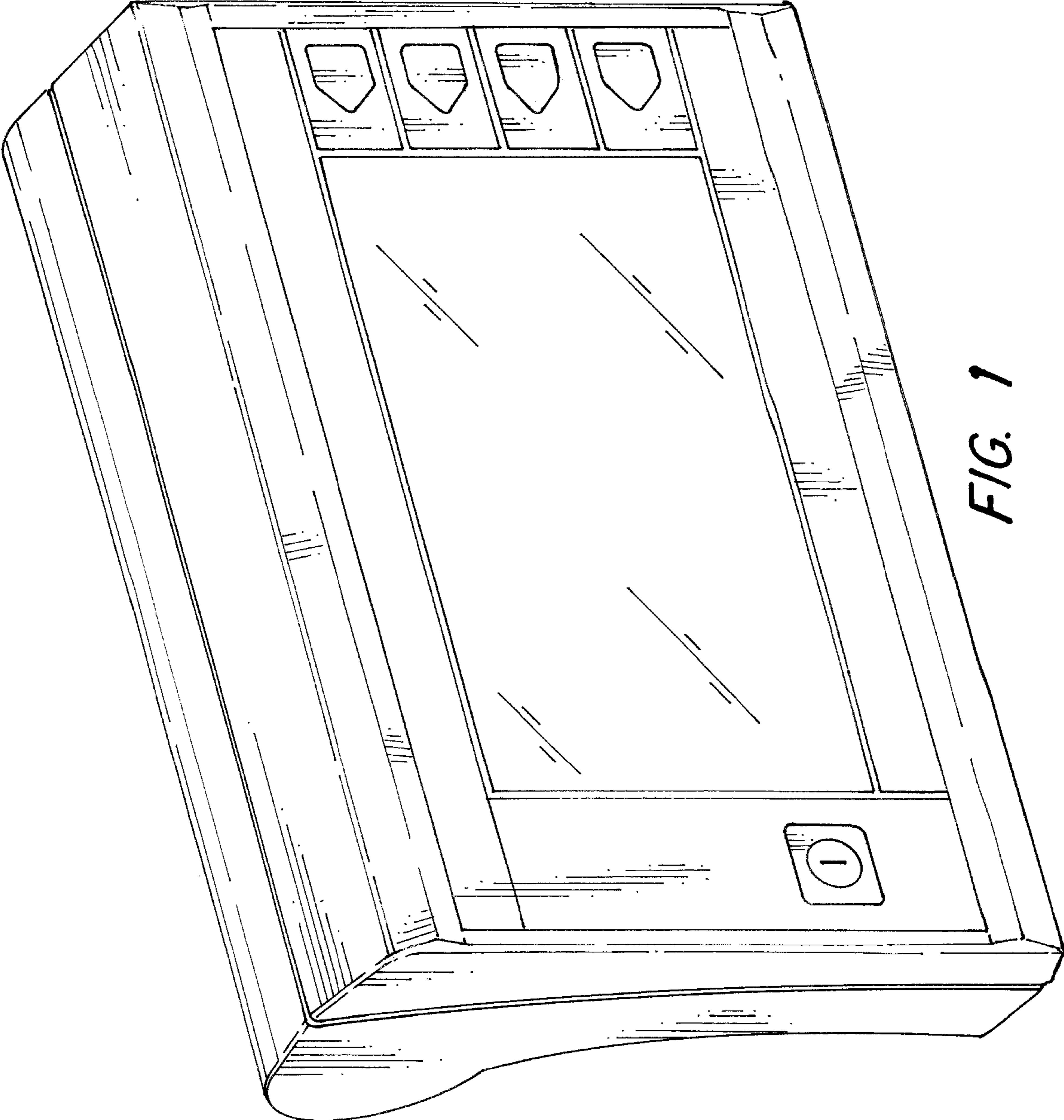


FIG. 1

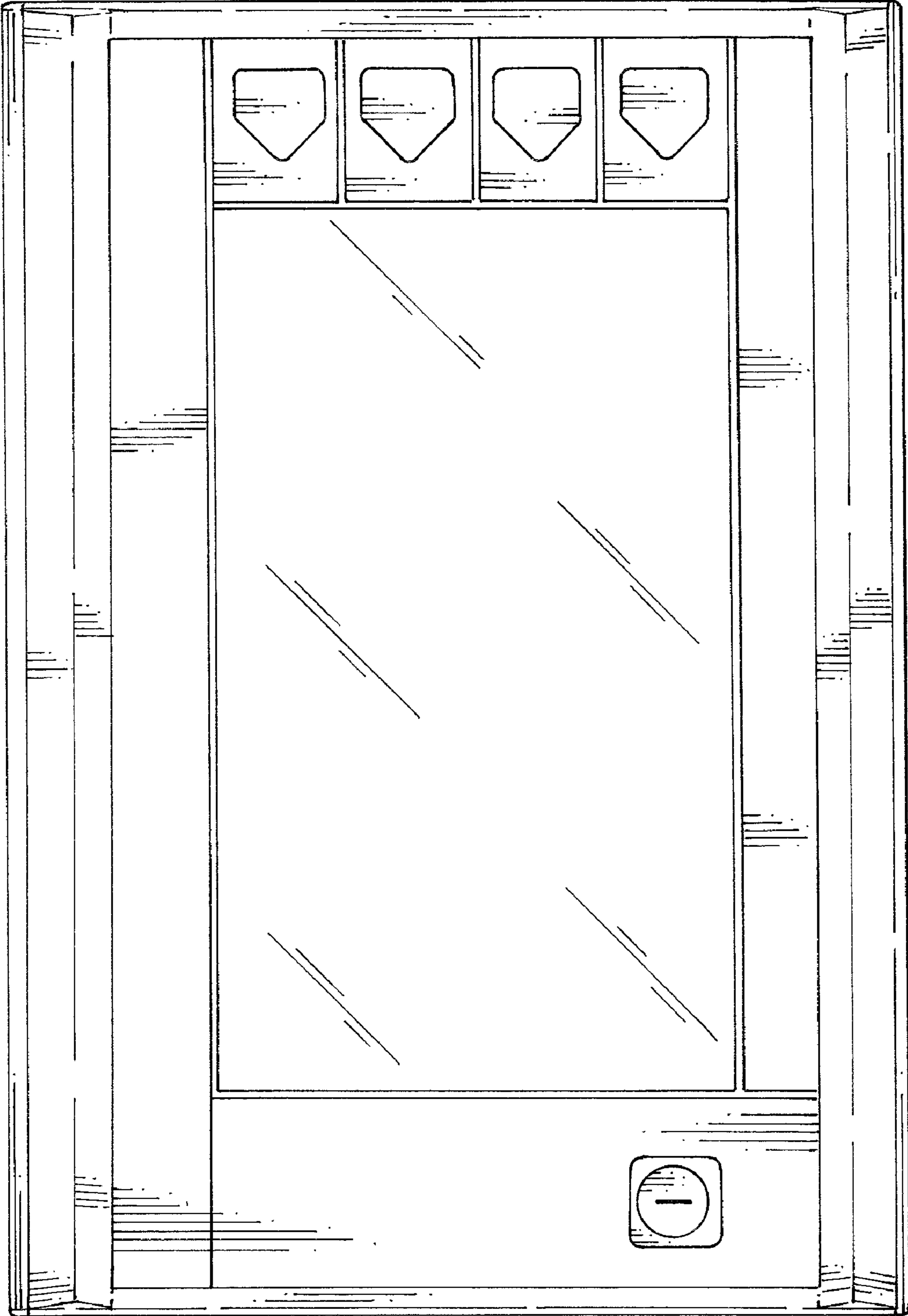


FIG. 2

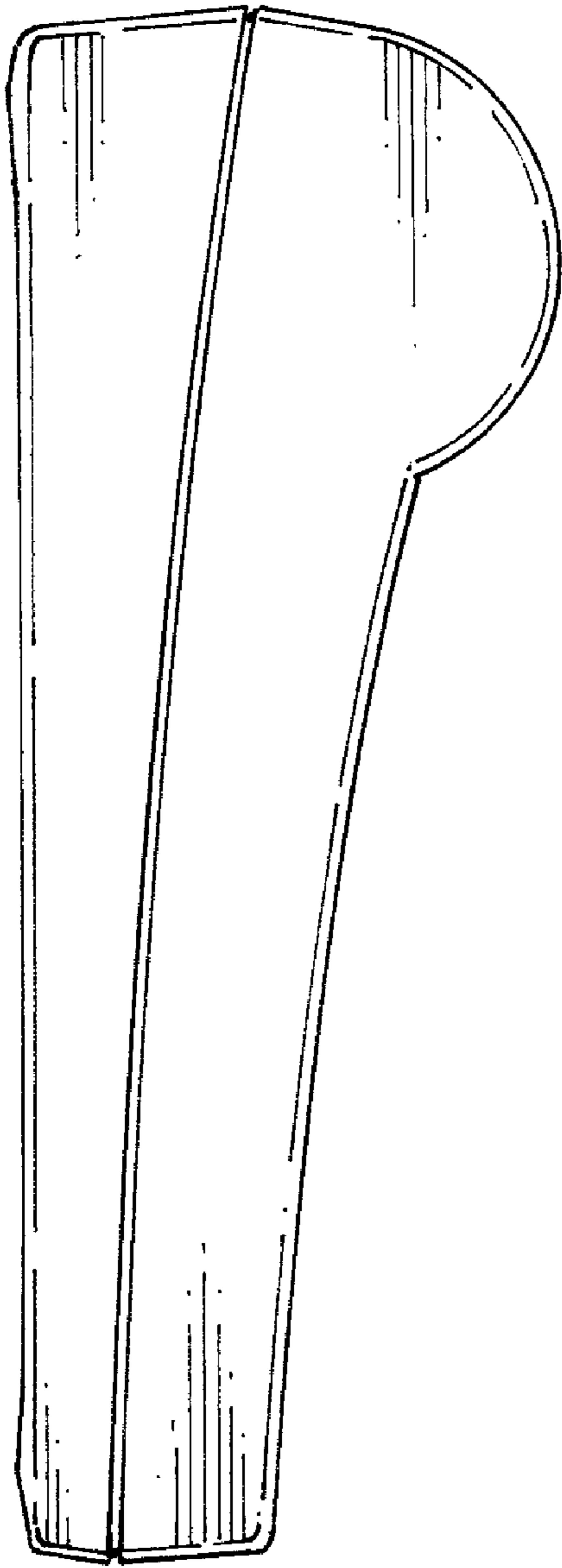


FIG. 3

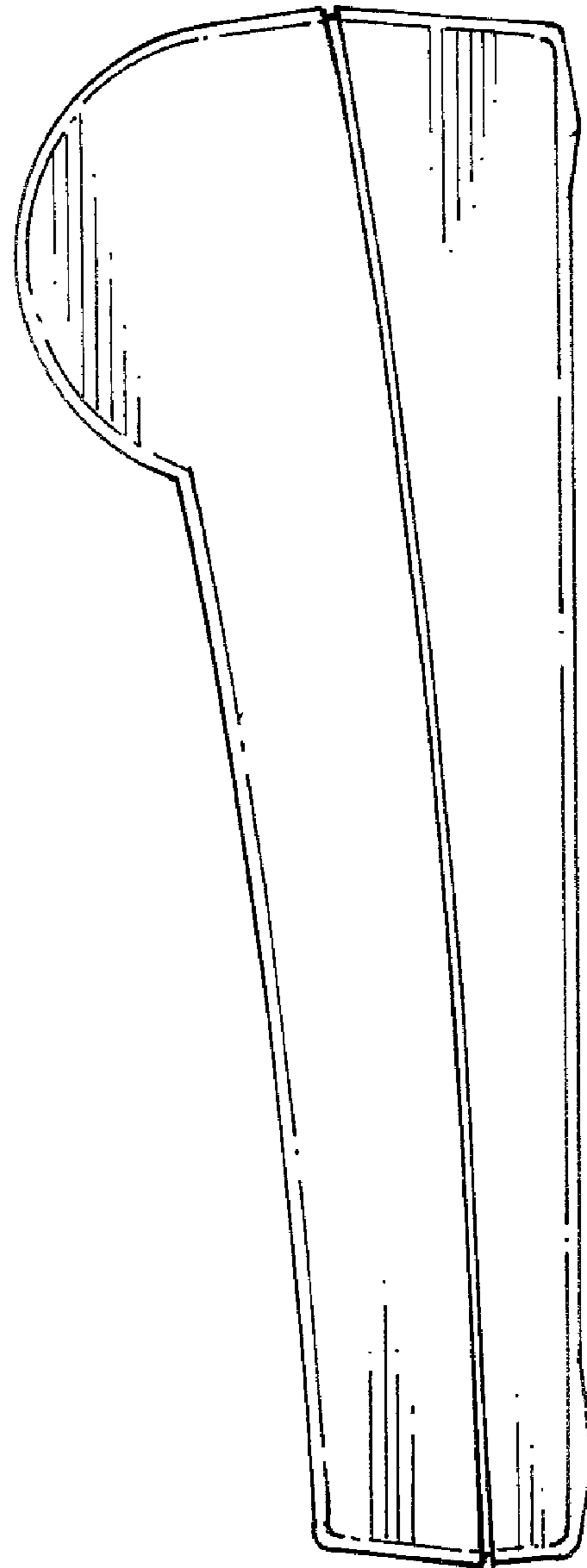


FIG. 4

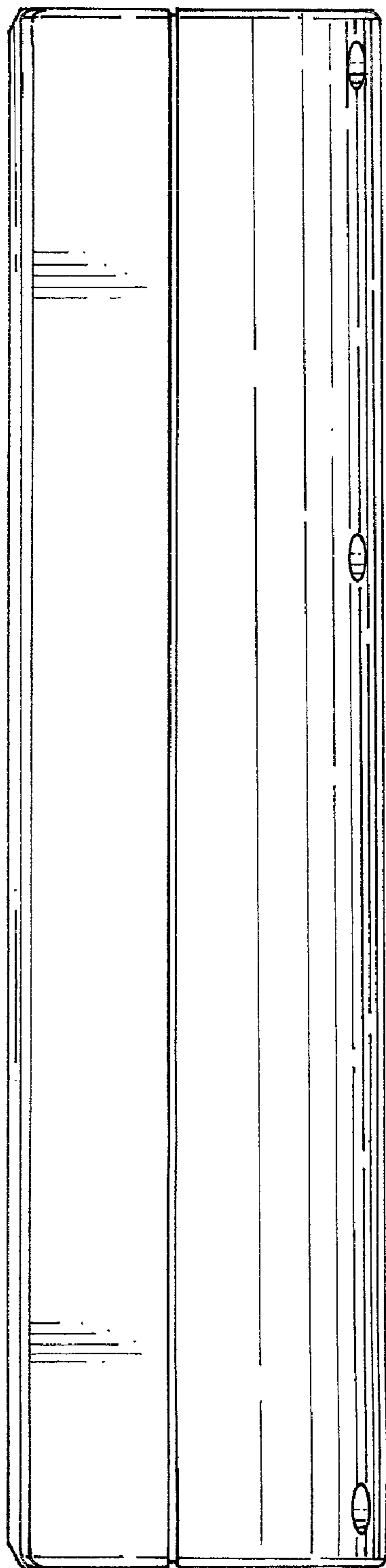


FIG. 5



FIG. 6

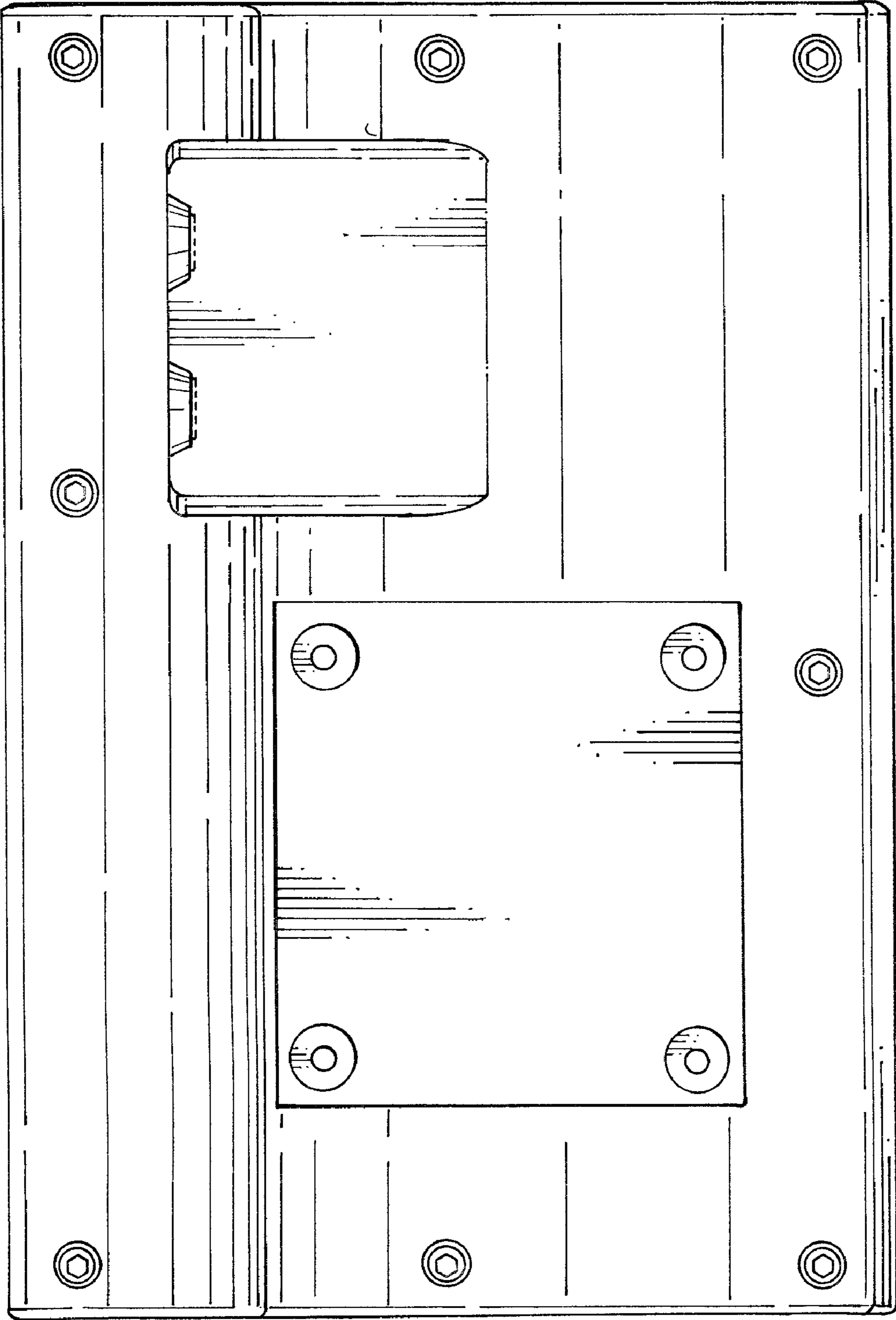


FIG. 7