



US00D615197S

(12) **United States Design Patent**  
**Koh et al.**

(10) **Patent No.:** **US D615,197 S**  
(45) **Date of Patent:** **\*\* May 4, 2010**

(54) **MEDICAL INSTRUMENT**

(75) Inventors: **Charles H. Koh**, Milwaukee, WI (US);  
**Horst Dittrich**, Immendingen (DE);  
**Simon Solingen**, Los Angeles, CA (US)

(73) Assignee: **Karl Storz GmbH & Co. KG** (DE)

(\*\*) Term: **14 Years**

(21) Appl. No.: **29/329,238**

(22) Filed: **Dec. 11, 2008**

(30) **Foreign Application Priority Data**

Jun. 13, 2008 (EM) ..... 000950811

(51) **LOC (9) Cl.** ..... **24-02**

(52) **U.S. Cl.** ..... **D24/133; D24/146**

(58) **Field of Classification Search** ..... D24/133,  
D24/107, 108, 114, 141, 130, 146, 147; 600/562,  
600/581, 566, 567, 571, 570, 591, 585, 104;  
606/159, 167

See application file for complete search history.

(56) **References Cited**

**U.S. PATENT DOCUMENTS**

3,088,454	A *	5/1963	Shute	.....	600/571
D281,721	S *	12/1985	Scanlan	.....	D24/147
5,222,973	A *	6/1993	Sharpe et al.	.....	606/206
D372,310	S *	7/1996	Hartnett	.....	D24/146
D372,311	S *	7/1996	Koros et al.	.....	D24/147
D376,423	S *	12/1996	Monea	.....	D24/114
D385,627	S *	10/1997	Cook et al.	.....	D24/133
5,772,672	A *	6/1998	Toy et al.	.....	606/139
D445,495	S *	7/2001	Schaefer et al.	.....	D24/108
6,280,399	B1 *	8/2001	Rossin et al.	.....	600/567
D449,887	S *	10/2001	Haberland et al.	.....	D24/146
D469,871	S *	2/2003	Sand	.....	D24/133

6,579,300	B2 *	6/2003	Griego et al.	.....	606/167
D478,987	S *	8/2003	Groenke et al.	.....	D24/146
D549,330	S *	8/2007	Criscuolo et al.	.....	D24/133
D552,733	S *	10/2007	Criscuolo et al.	.....	D24/146
D585,547	S *	1/2009	Bisleri	.....	D24/135
D587,806	S *	3/2009	Hahn	.....	D24/145
D605,764	S *	12/2009	Griffis et al.	.....	D24/145
2002/0002376	A1 *	1/2002	Gannoe et al.	.....	606/167
2006/0161188	A1 *	7/2006	Kennedy, II	.....	606/159
2007/0260264	A1 *	11/2007	Nobis et al.	.....	606/113
2008/0221481	A1 *	9/2008	Mark	.....	600/566
2008/0243165	A1 *	10/2008	Mauch et al.	.....	606/191
2009/0043259	A1 *	2/2009	Hardin et al.	.....	604/164.13
2009/0082779	A1 *	3/2009	Nakao	.....	606/114
2009/0192408	A1 *	7/2009	Mark	.....	600/562

\* cited by examiner

*Primary Examiner*—Ian Simmons

*Assistant Examiner*—Mark A Goodwin

(74) *Attorney, Agent, or Firm*—St. Onge Steward Johnston & Reens LLC

(57) **CLAIM**

The ornamental design for a medical instrument, as shown and described.

**DESCRIPTION**

FIG. 1 is a side isometric view of a medical instrument in accordance with the new design shown broken along the length for ease of illustration in FIGS. 1–4;

FIG. 2 is a side view thereof;

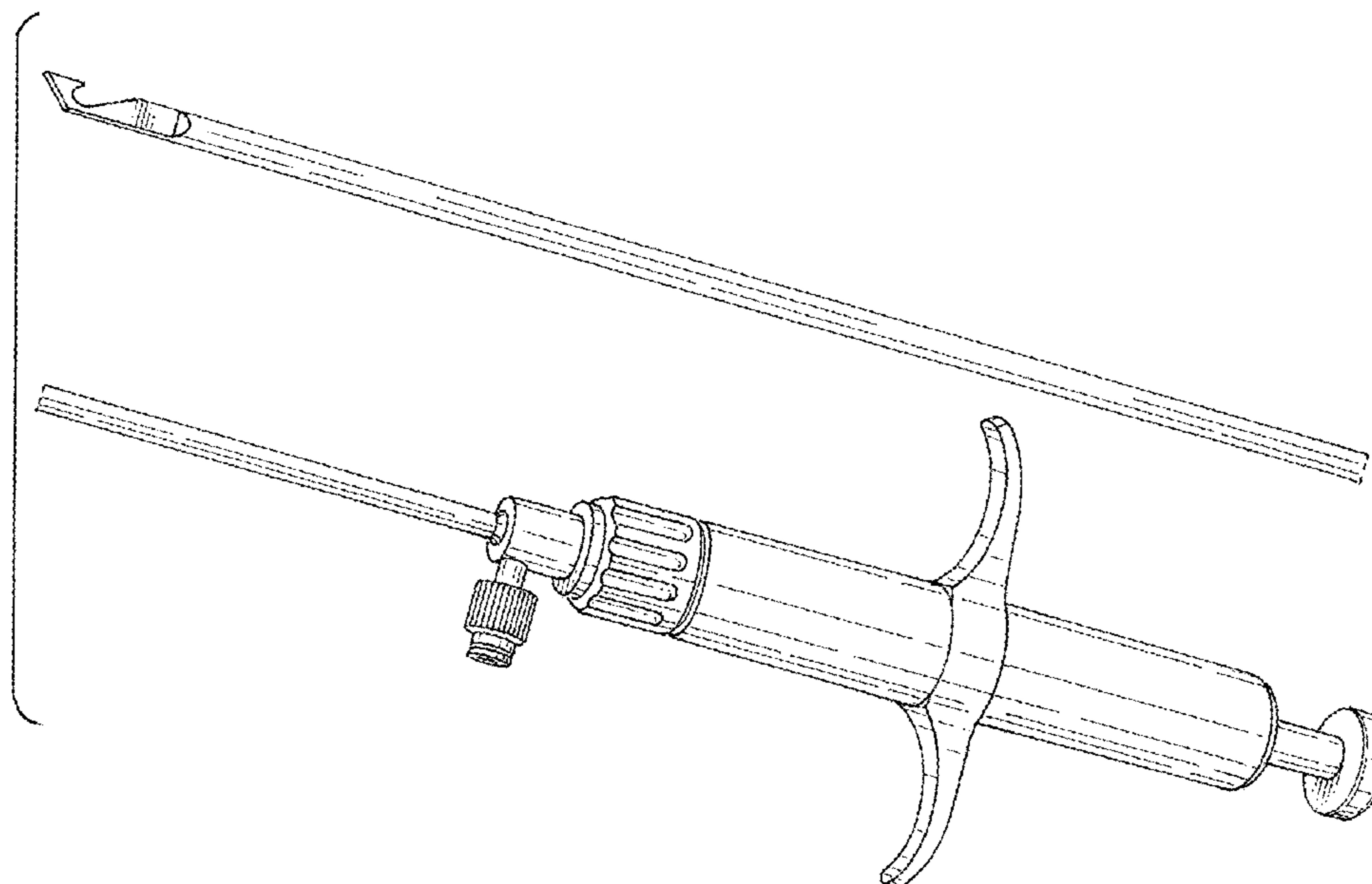
FIG. 3 is a top view thereof;

FIG. 4 is a bottom view thereof;

FIG. 5 is a rear view thereof; and,

FIG. 6 is a front view thereof.

**1 Claim, 4 Drawing Sheets**



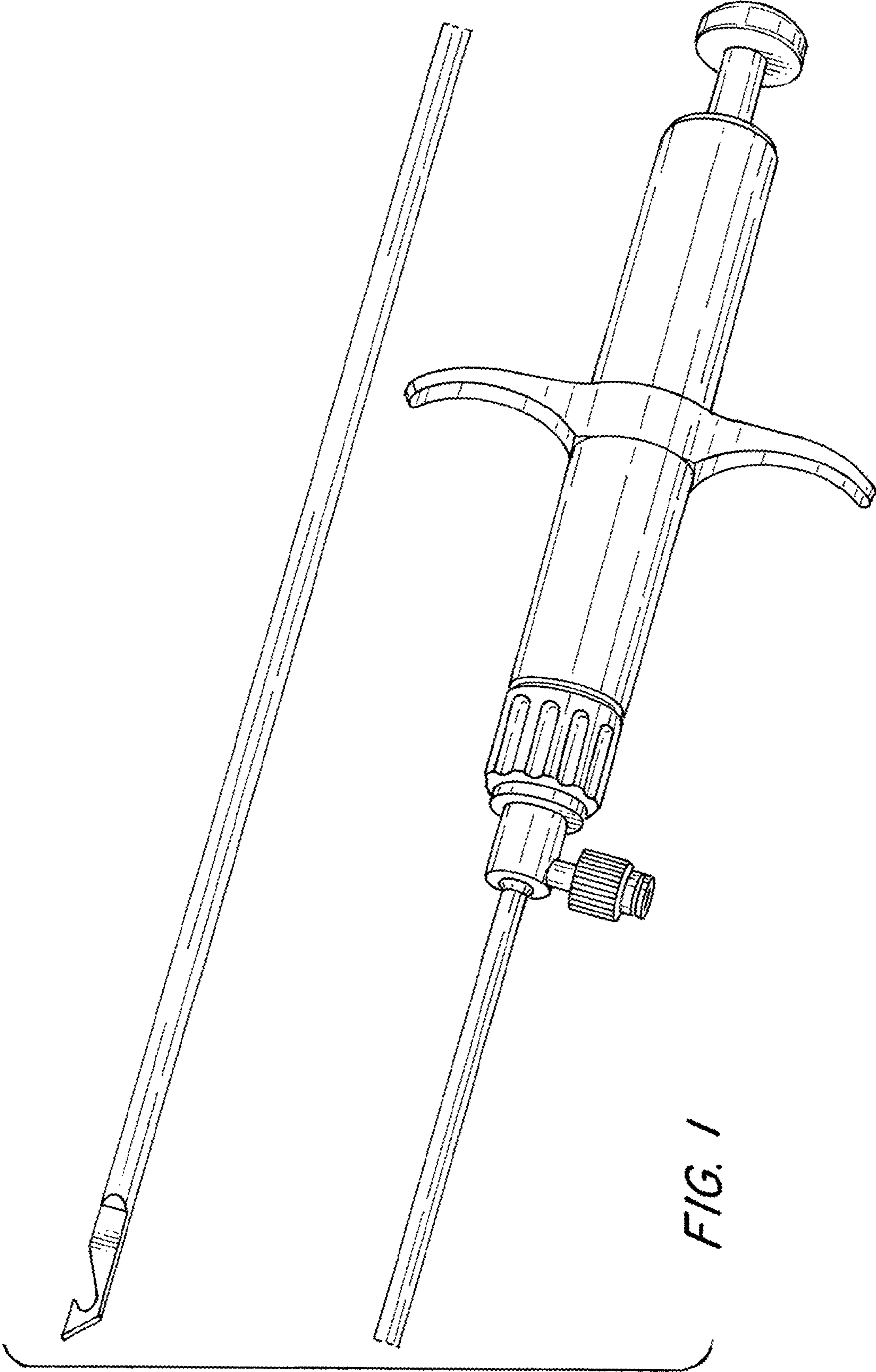


FIG. 1

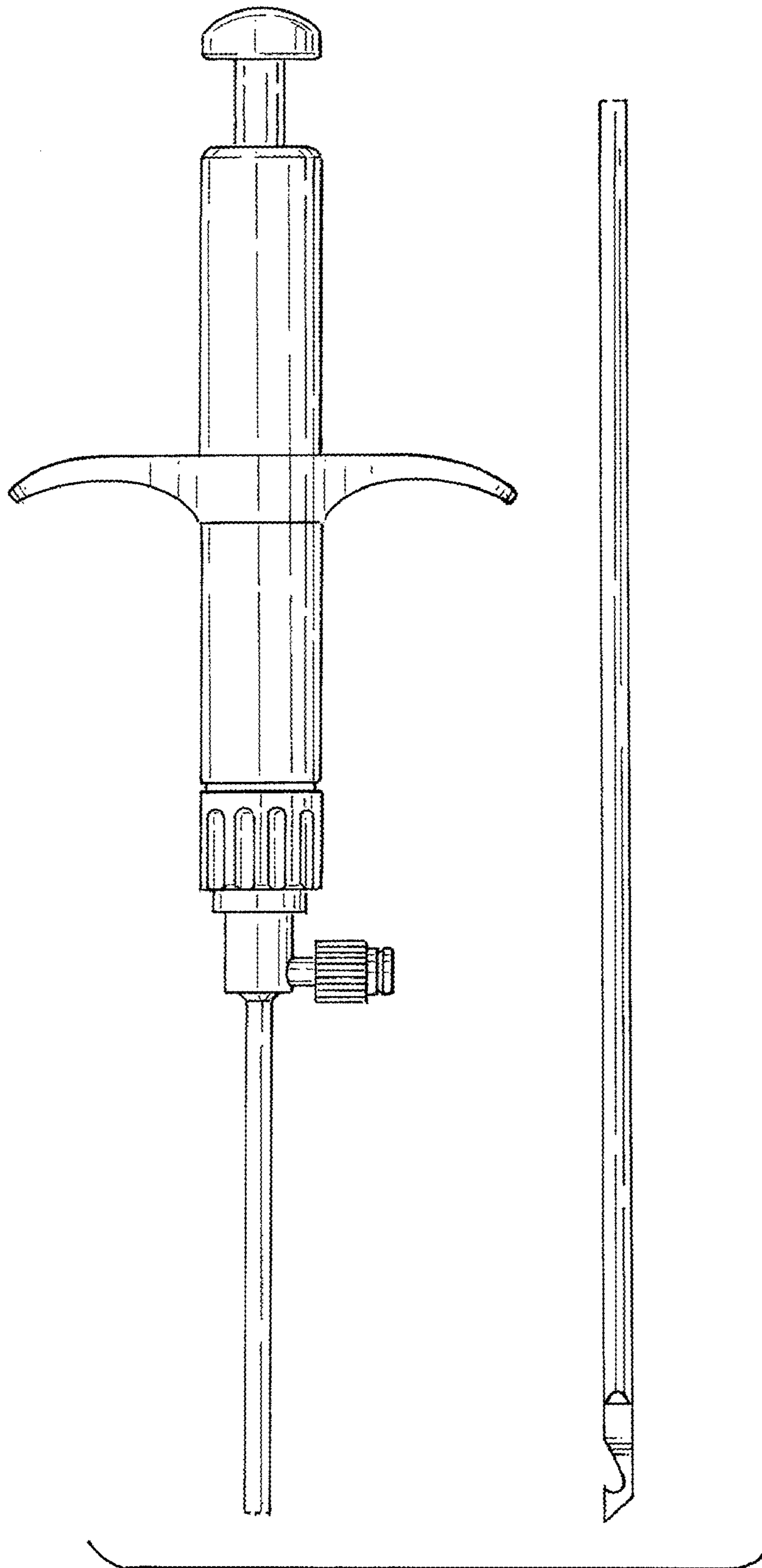
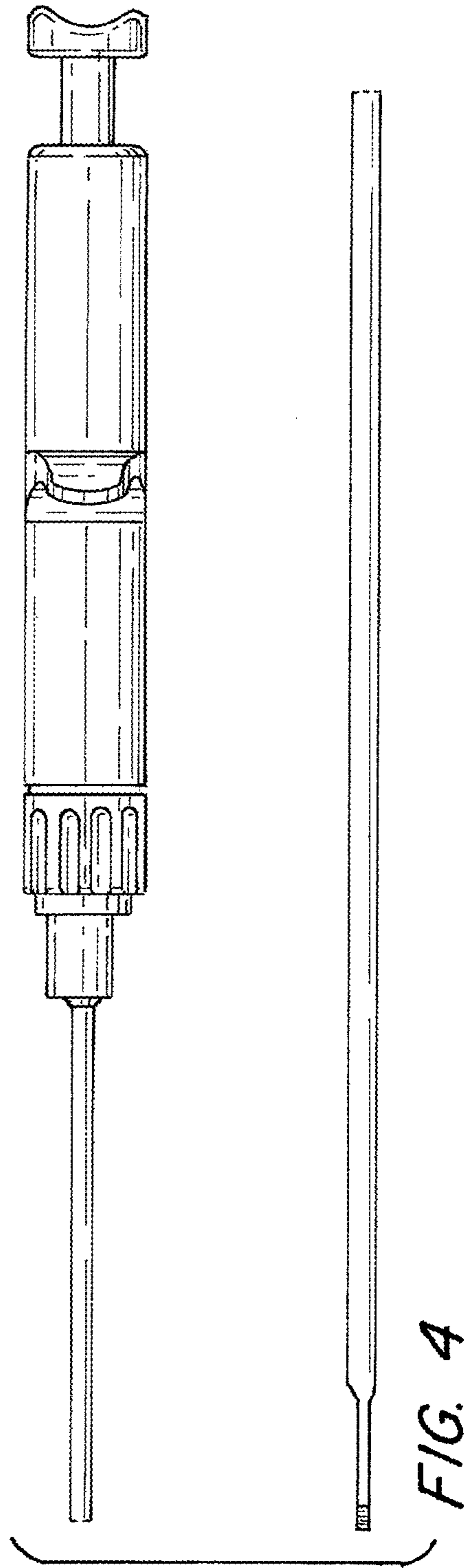
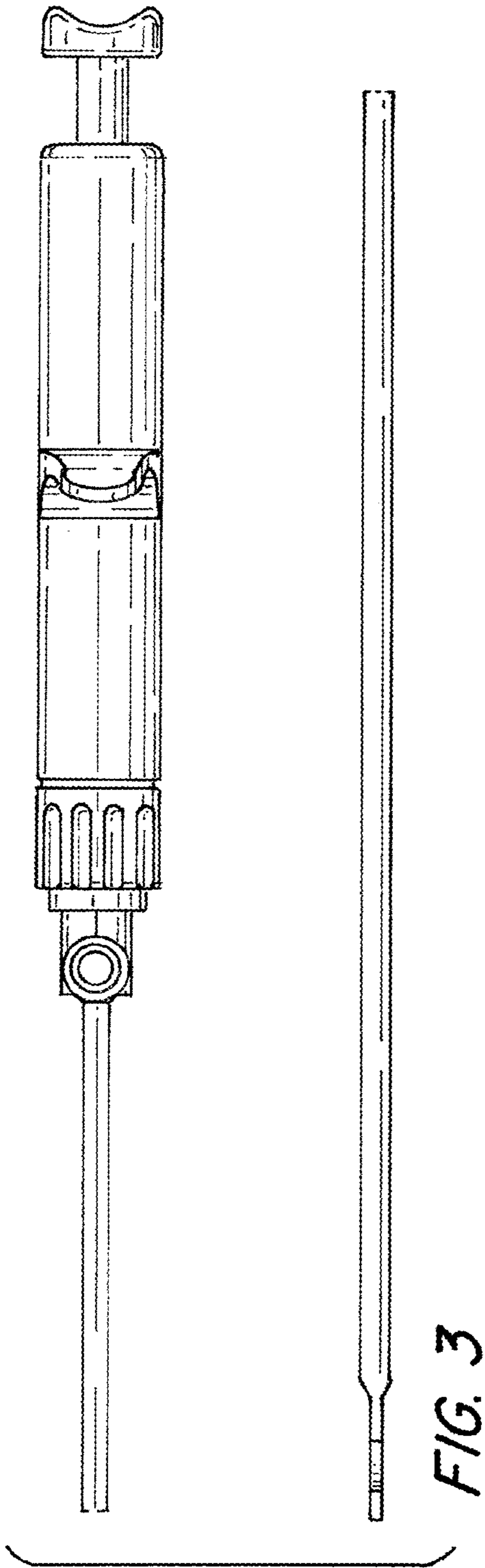
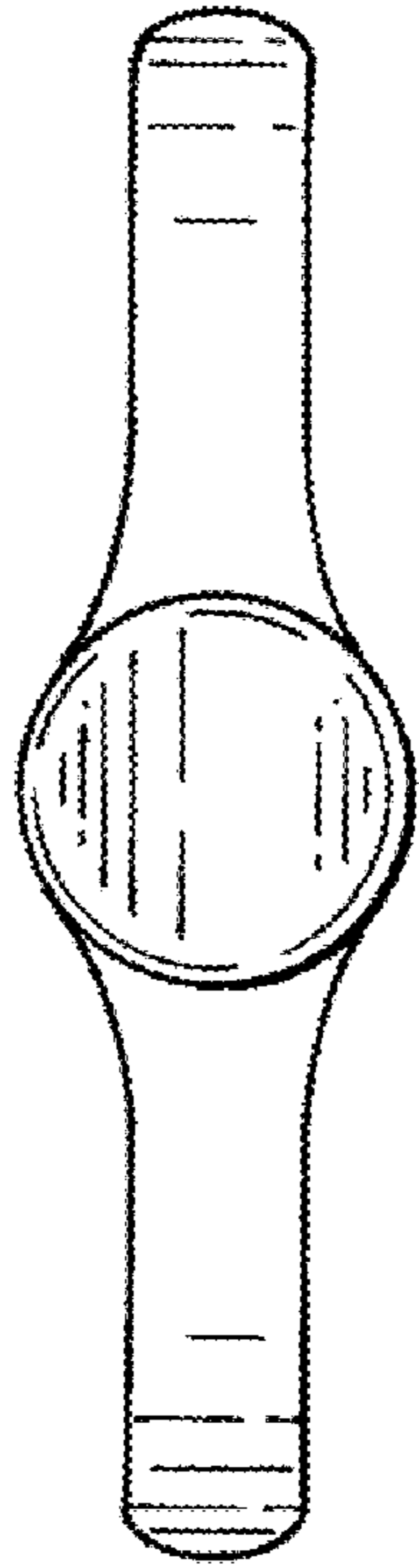
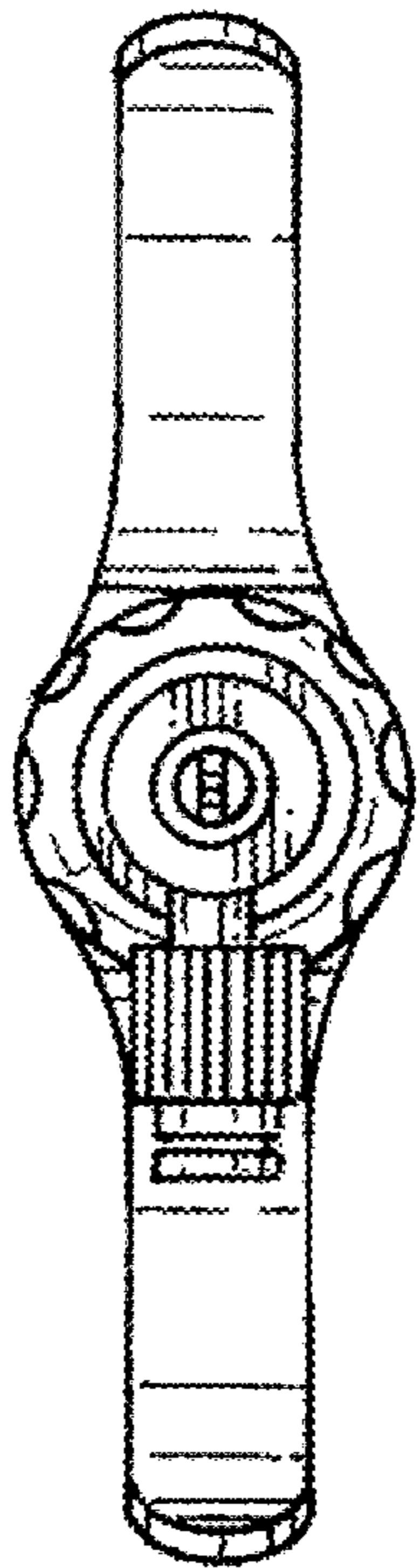


FIG. 2





*FIG. 5*



*FIG. 6*