



US00D615196S

(12) **United States Design Patent**
Doll

(10) **Patent No.:** **US D615,196 S**

(45) **Date of Patent:** **** May 4, 2010**

(54) **MEDICAL INSTRUMENT**

(75) **Inventor:** **Frank Doll, Talheim (DE)**

(73) **Assignee:** **Karl Storz GmbH & Co. KG (DE)**

(**) **Term:** **14 Years**

(21) **Appl. No.:** **29/328,563**

(22) **Filed:** **Nov. 26, 2008**

(30) **Foreign Application Priority Data**

May 26, 2008 (EM) 000941711

(51) **LOC (9) Cl.** **24-02**

(52) **U.S. Cl.** **D24/133**

(58) **Field of Classification Search** D24/108,
D24/113, 114, 130, 133, 135, 137, 146-147;
600/385, 573, 583; 604/119; 606/41, 139,
606/144, 148, 167, 172, 181-185
See application file for complete search history.

(56) **References Cited**

U.S. PATENT DOCUMENTS

979,505	A *	12/1910	Johnson	606/181
2,610,631	A *	9/1952	Calicchio	606/139
2,822,808	A *	2/1958	Boone	604/119
5,281,238	A *	1/1994	Chin et al.	606/148
5,334,199	A *	8/1994	Yoon	606/144
5,466,241	A *	11/1995	Leroy et al.	606/139
5,957,936	A *	9/1999	Yoon et al.	606/144
6,086,584	A *	7/2000	Miller	606/41

D445,495	S *	7/2001	Schaefer et al.	D24/108
7,131,978	B2 *	11/2006	Sancoff et al.	606/139
D585,547	S *	1/2009	Bisleri	D24/135
D585,989	S *	2/2009	Leroy	D24/146
D590,945	S *	4/2009	Berberich	D24/146
2003/0045892	A1 *	3/2003	Kaladelfos	606/148
2006/0155246	A1 *	7/2006	Higuchi et al.	604/165.01
2006/0235455	A1 *	10/2006	Oshida	606/185

* cited by examiner

Primary Examiner—Freda S Nunn

(74) *Attorney, Agent, or Firm*—St. Onge Steward Johnston & Reens LLC

(57) **CLAIM**

The ornamental design for a medical instrument, as shown and described.

DESCRIPTION

FIG. 1 is a top isometric view of a medical instrument in accordance with the new design being shown broken away to indicate an indeterminate length;

FIG. 2 is a right side view thereof;

FIG. 3 is a left side view thereof;

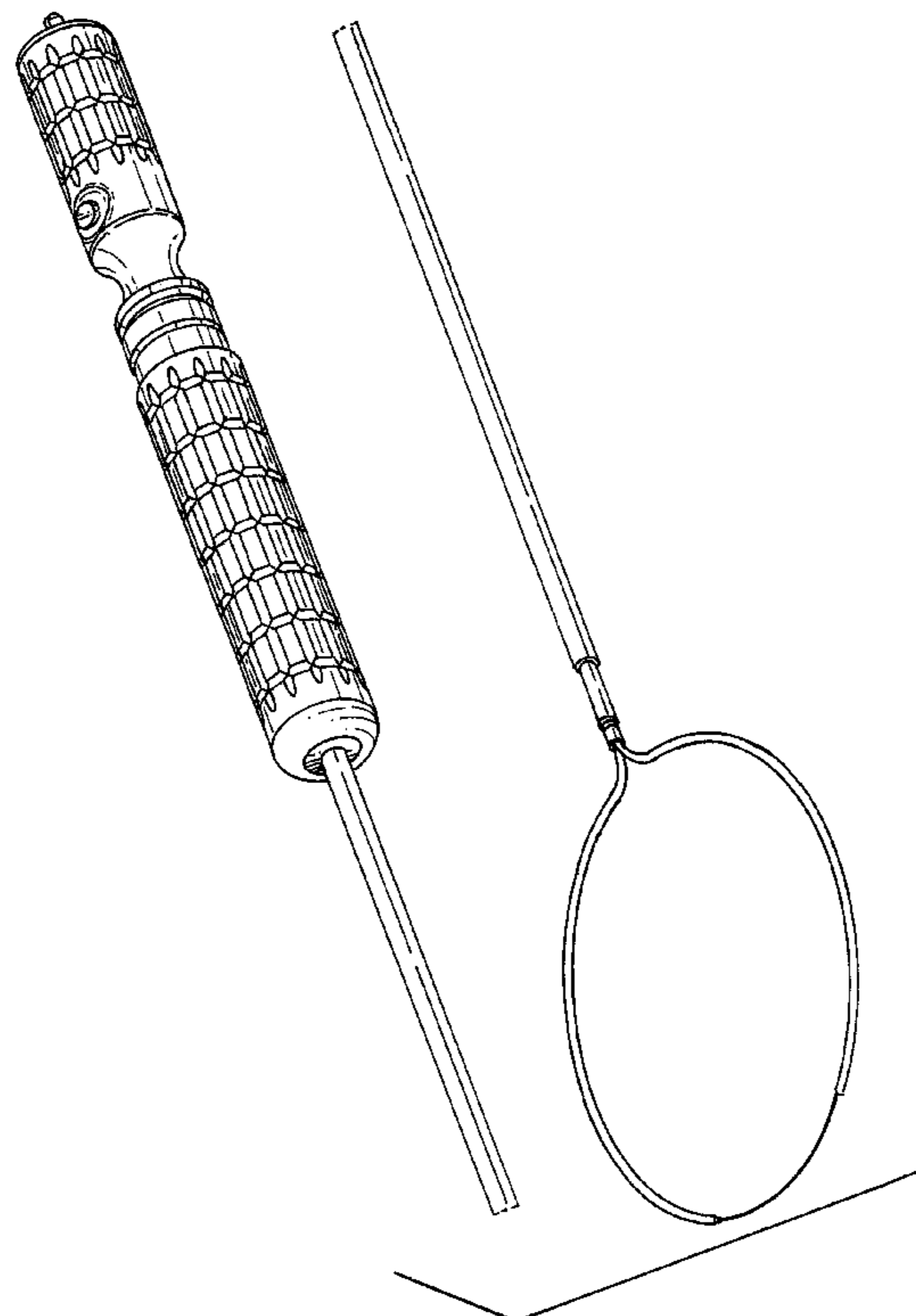
FIG. 4 is a bottom view thereof;

FIG. 5 is a top view thereof;

FIG. 6 is a rear view thereof; and,

FIG. 7 is a front view thereof.

1 Claim, 6 Drawing Sheets



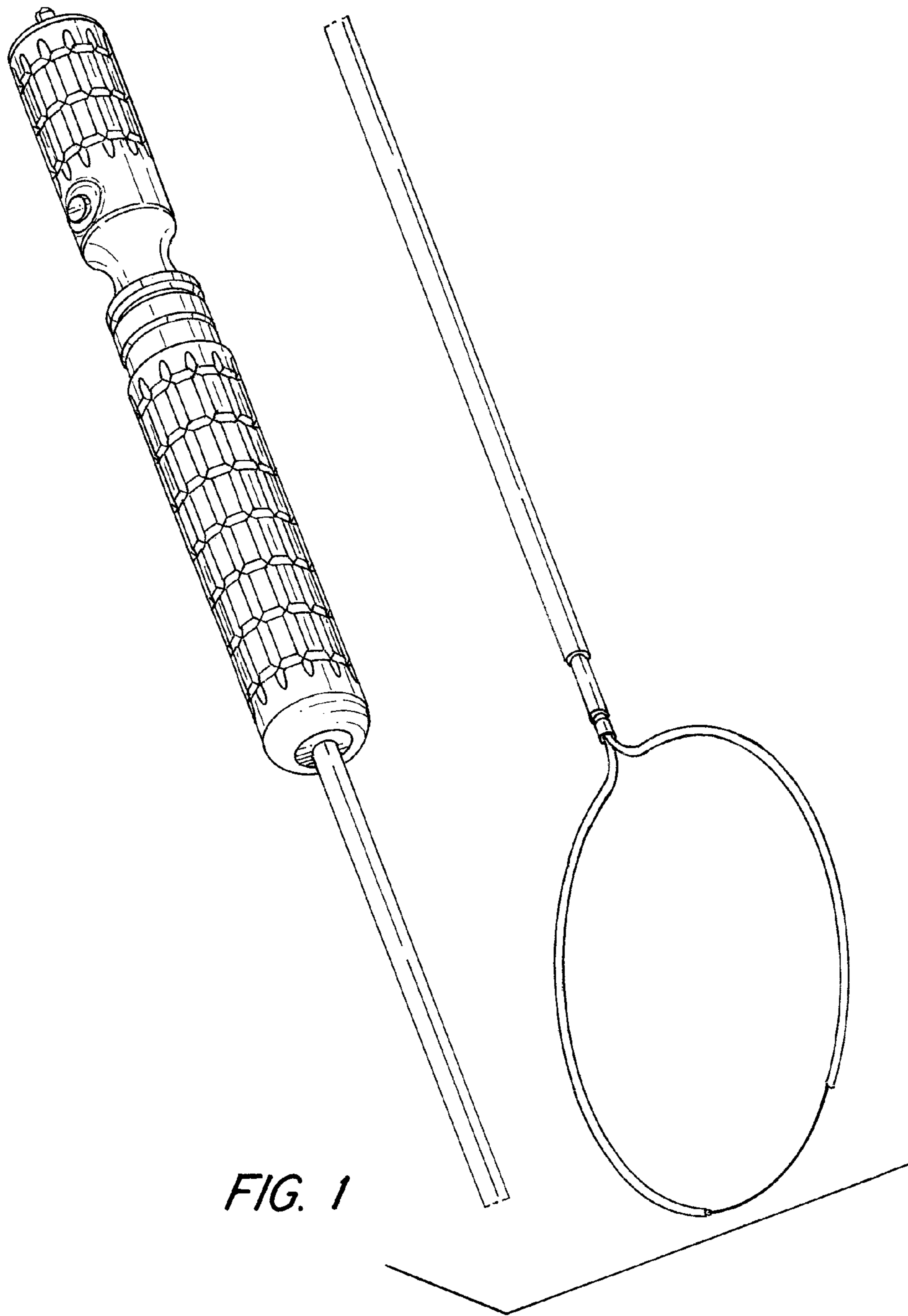


FIG. 1

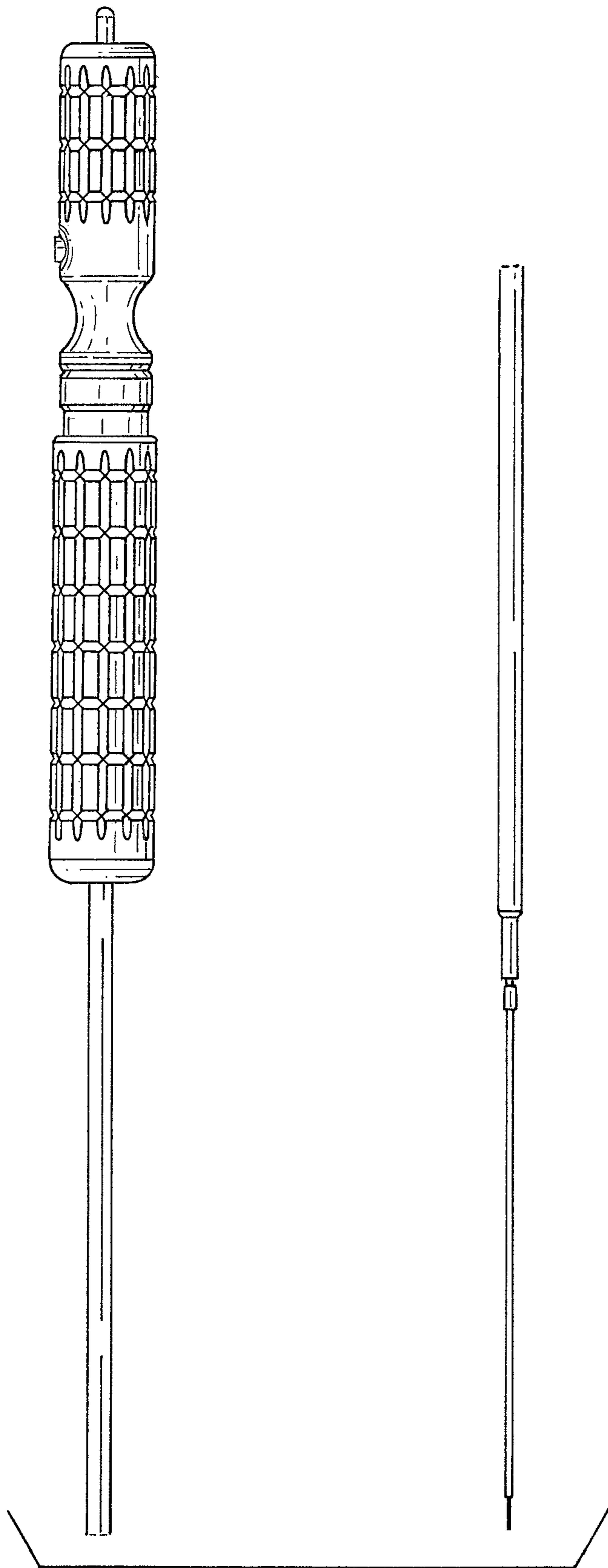


FIG. 2

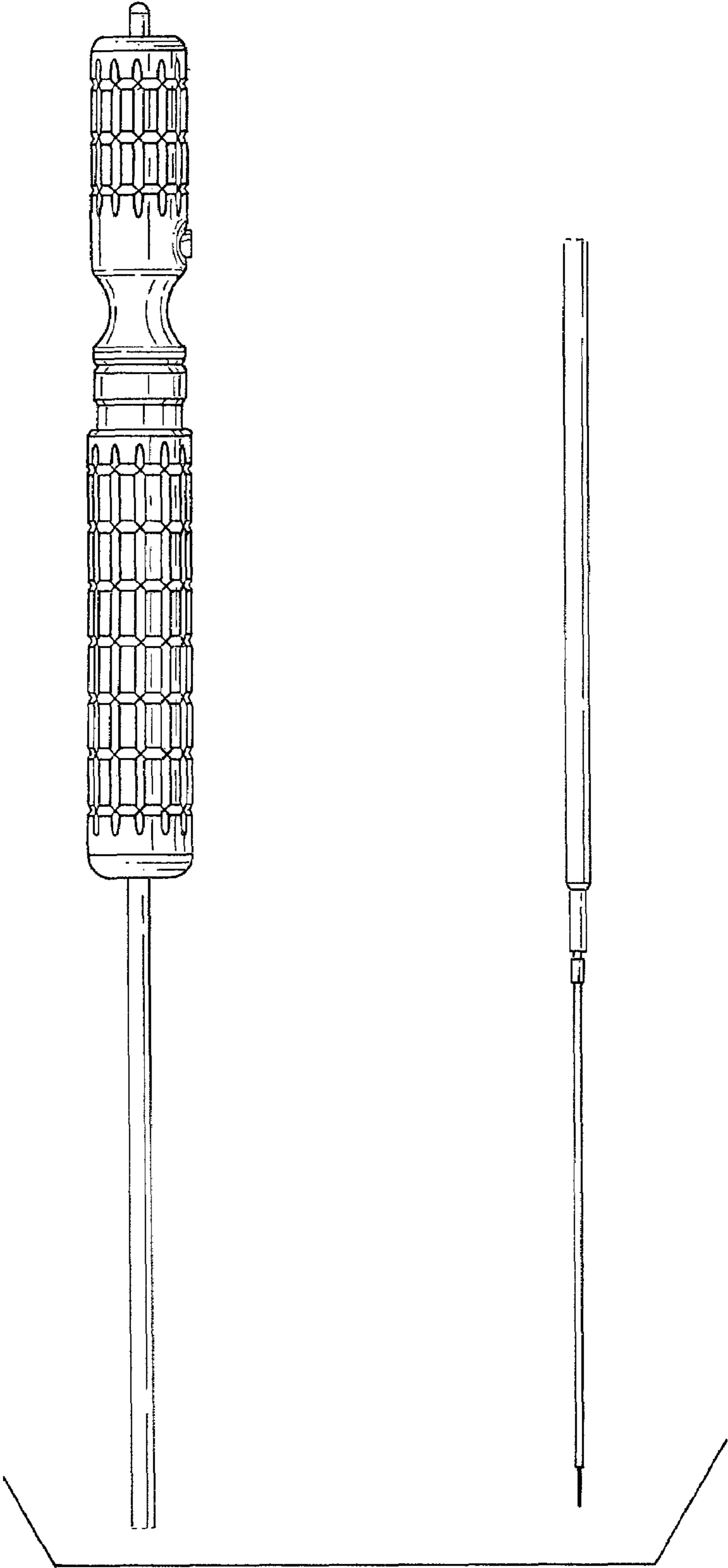


FIG. 3

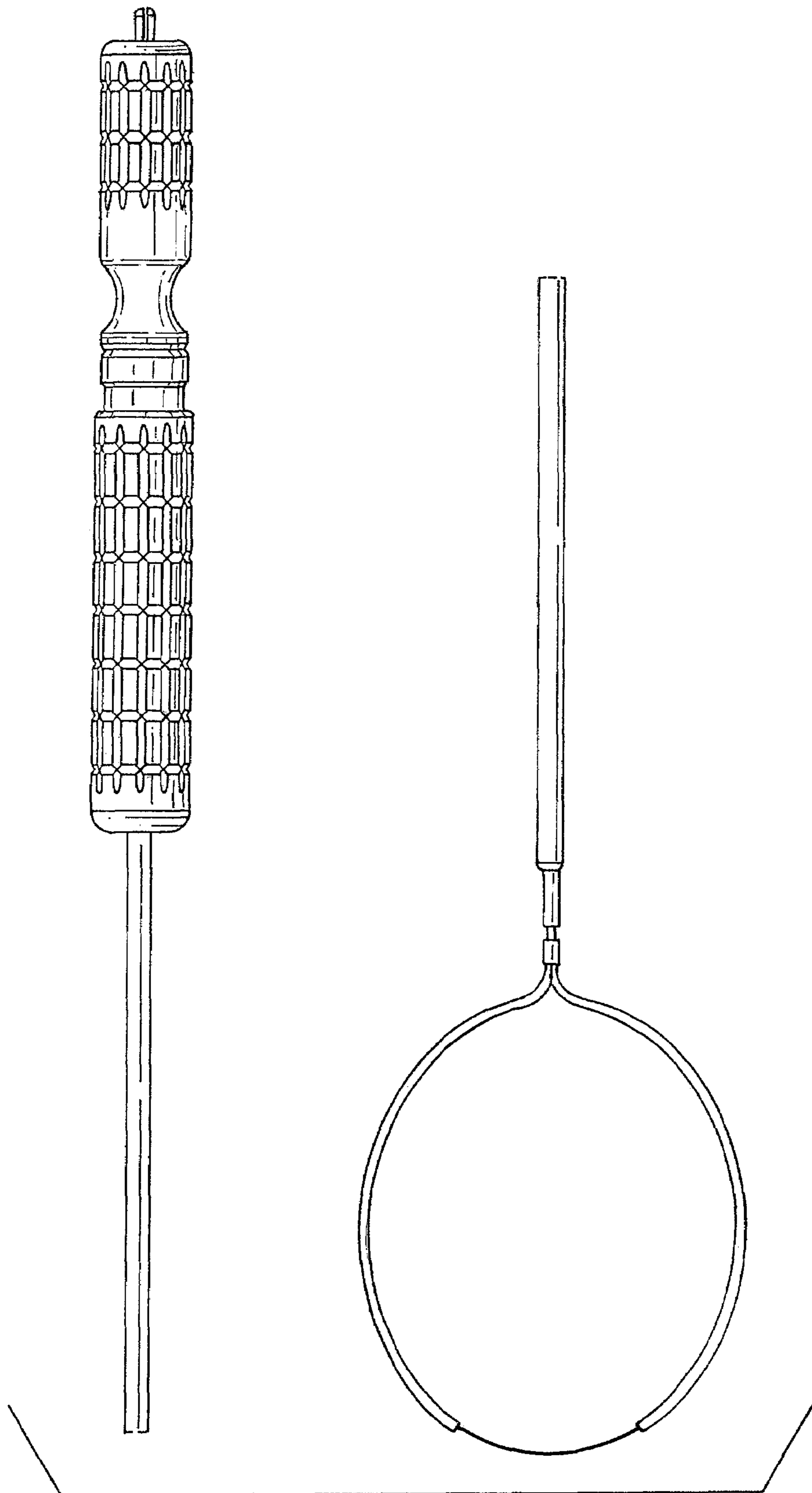
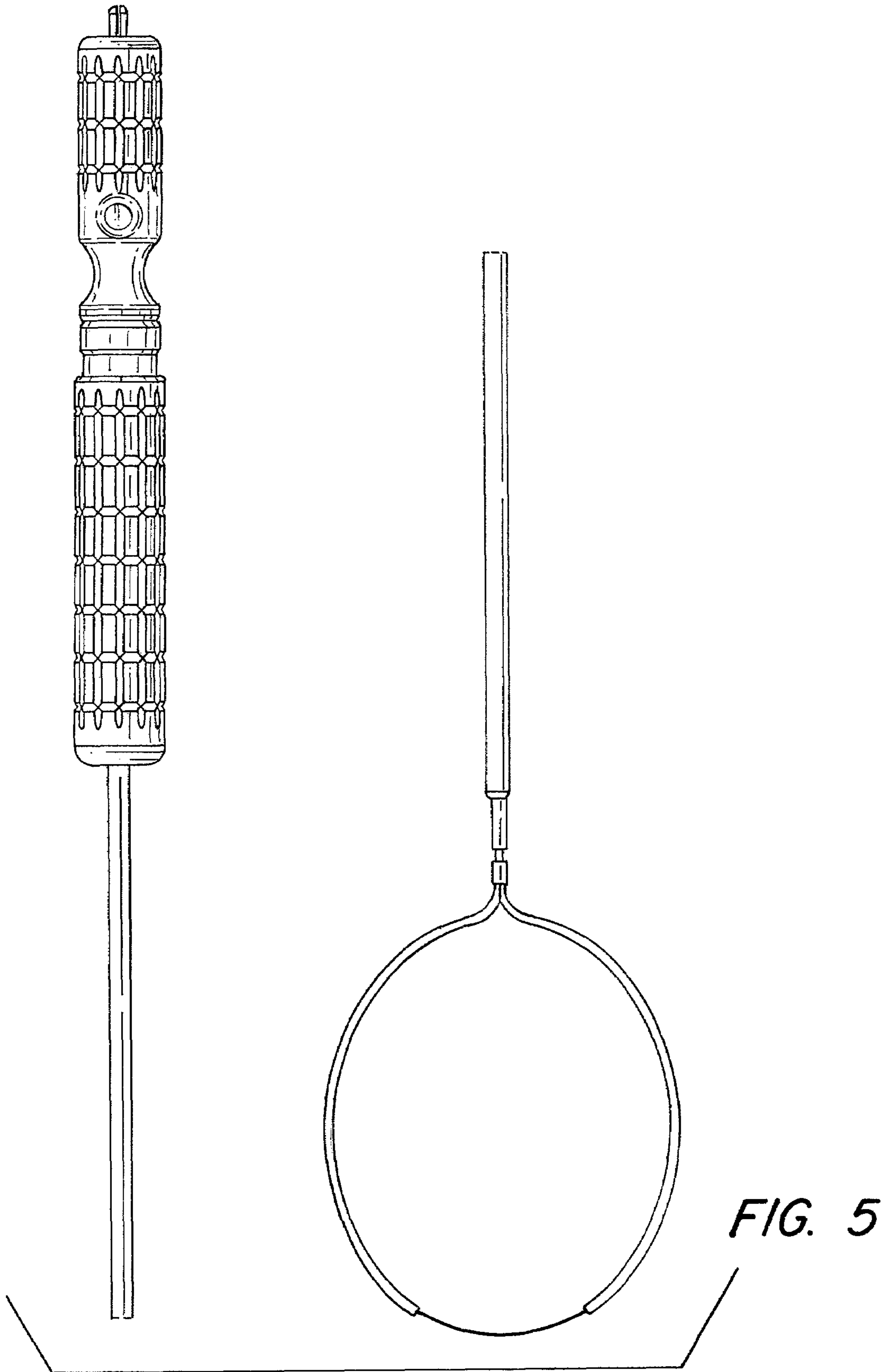


FIG. 4



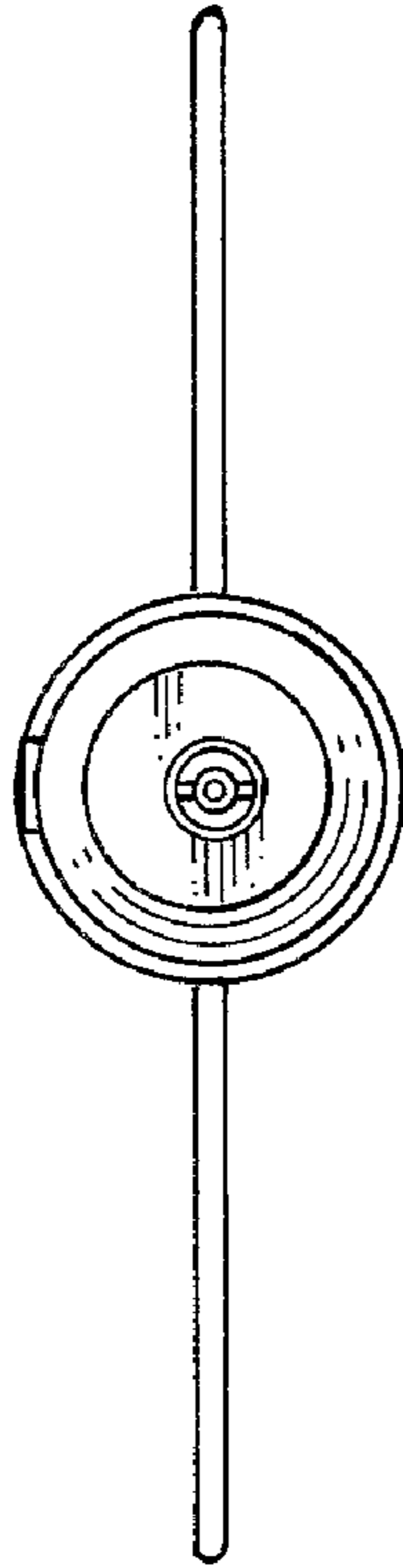


FIG. 6

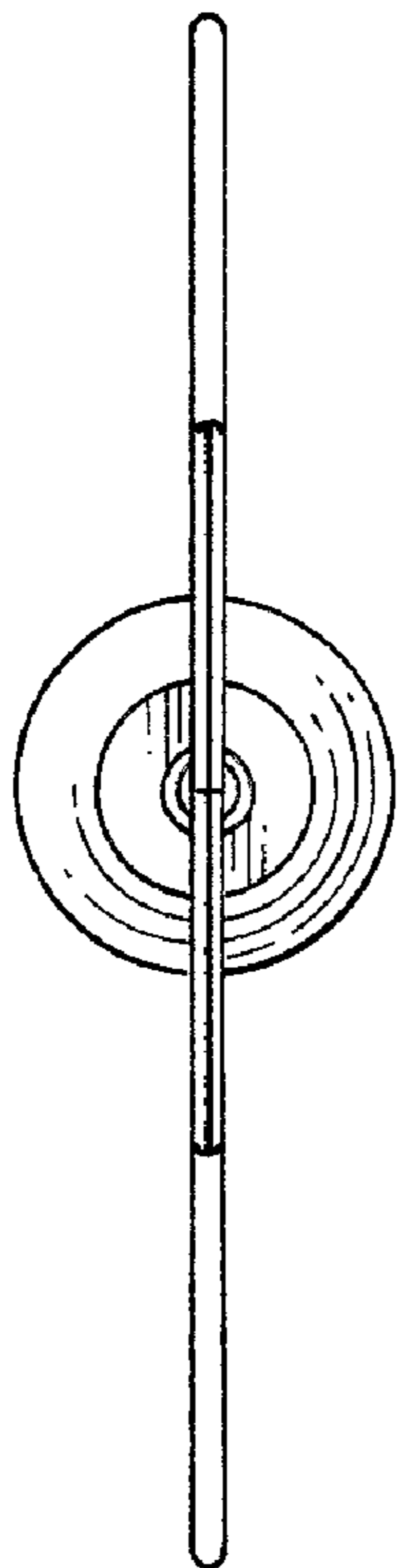


FIG. 7