



US00D615192S

(12) **United States Design Patent**
Mudd et al.

(10) **Patent No.:** **US D615,192 S**
(45) **Date of Patent:** **** May 4, 2010**

(54) **INJECTION DEVICE**

(75) Inventors: **Christopher S. Mudd**, Goleta, CA (US);
Ahmet Tezel, Goleta, CA (US)

(73) Assignee: **Allergan, Inc.**, Irvine, CA (US)

(**) Term: **14 Years**

(21) Appl. No.: **29/338,737**

(22) Filed: **Jun. 17, 2009**

(51) **LOC (9) Cl.** **24-02**

(52) **U.S. Cl.** **D24/113**

(58) **Field of Classification Search** D24/108,
D24/111, 112, 113, 114, 130, 133, 146, 147,
D24/152; 433/80, 85, 88, 89, 114; 604/30,
604/68, 70, 181, 198

See application file for complete search history.

(56) **References Cited**

U.S. PATENT DOCUMENTS

2,737,946	A *	3/1956	Hein, Jr.	604/70
D202,754	S *	11/1965	Naftolin	D24/114
D214,112	S *	5/1969	Langdon	D24/130
D224,066	S *	6/1972	McDonald	D24/133
3,807,048	A *	4/1974	Malmin	433/81
D303,010	S *	8/1989	Jabbusch	D24/114
5,344,407	A *	9/1994	Ryan	604/192
6,613,010	B2 *	9/2003	Castellano	604/68
D483,116	S *	12/2003	Castellano	D24/114

6,783,514	B2 *	8/2004	Tovey et al.	604/191
6,824,526	B2 *	11/2004	Castellano	604/68
7,018,356	B2 *	3/2006	Wise et al.	604/68
2003/0144632	A1 *	7/2003	Hommann et al.	604/198
2007/0100363	A1 *	5/2007	Dollar et al.	606/181
2008/0108952	A1 *	5/2008	Horvath et al.	604/208

* cited by examiner

Primary Examiner—Elizabeth A Albert

Assistant Examiner—Karen E Eldridge Powers

(74) *Attorney, Agent, or Firm*—Linda A. Fox; Allergan, Inc.

(57) **CLAIM**

The ornamental design for an injection device, as shown and described.

DESCRIPTION

FIG. 1 is a perspective view of an injection device showing our new design.

FIG. 2 is a front view thereof.

FIG. 3 is a back view thereof.

FIG. 4 is a first side view thereof.

FIG. 5 is a second side view thereof.

FIG. 6 is a top view thereof; and,

FIG. 7 is a bottom view thereof.

The broken lines shown in the drawings illustrate environmental matter and form no part of the claimed design.

1 Claim, 5 Drawing Sheets

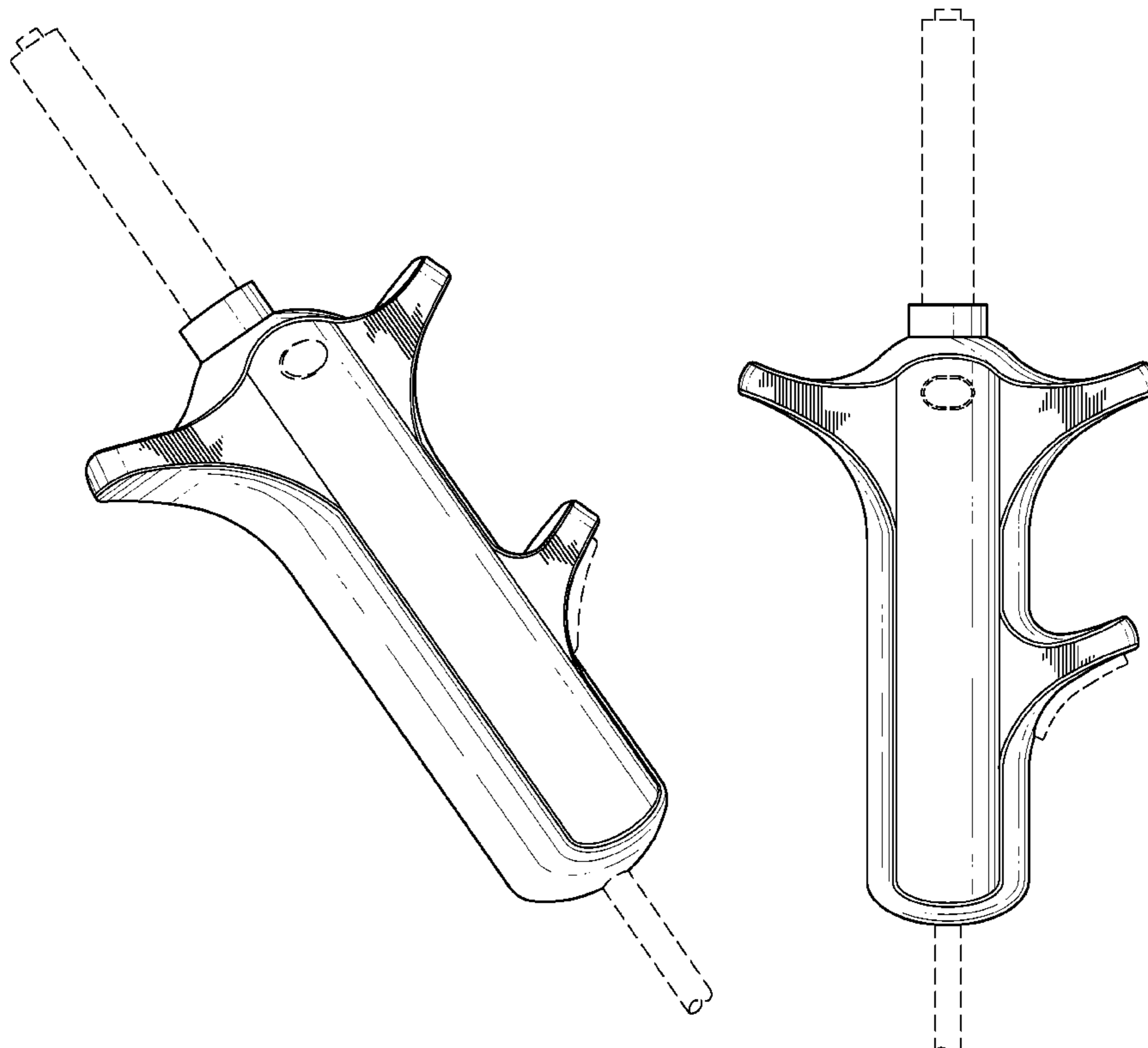


FIG. 1

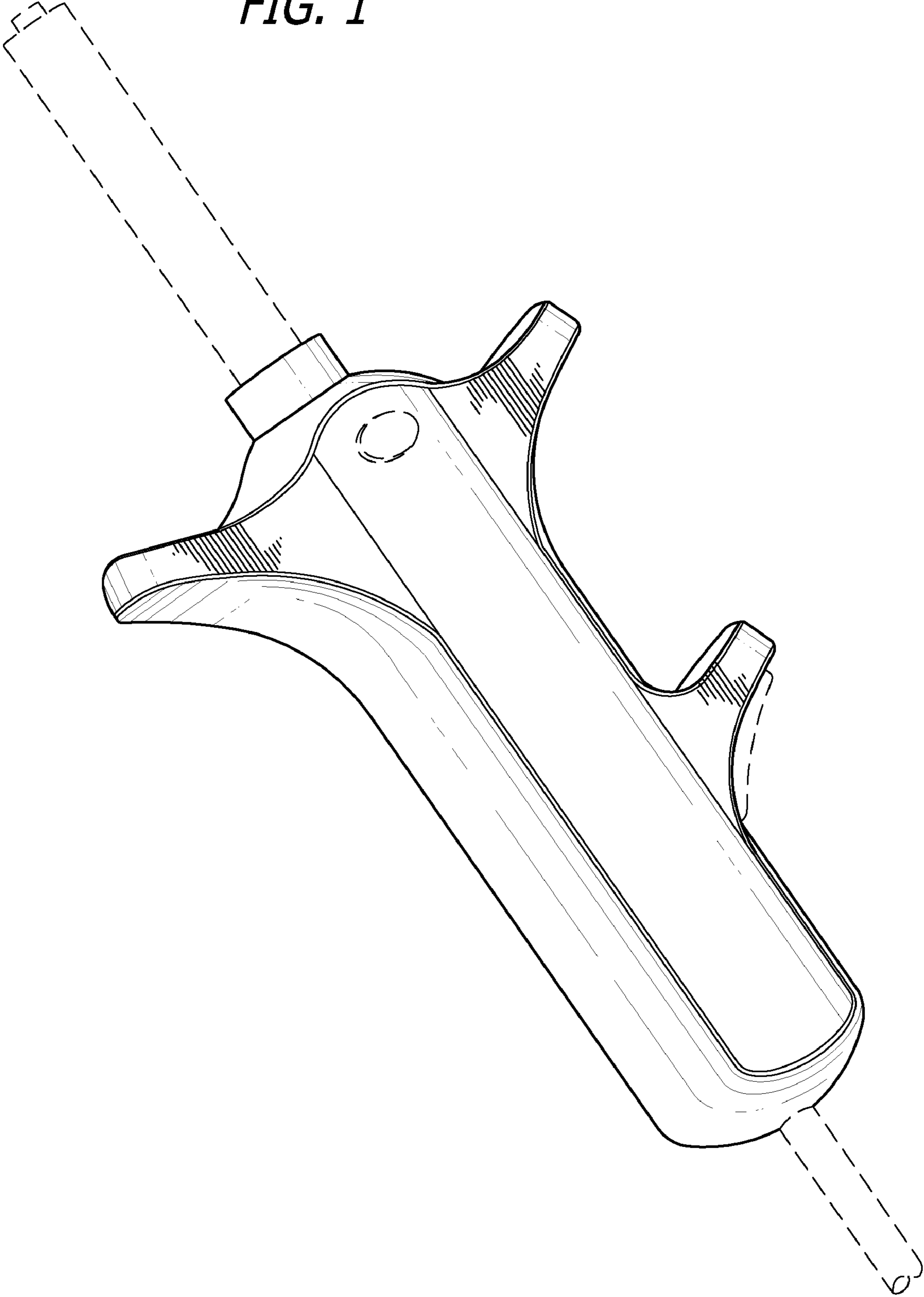


FIG. 2

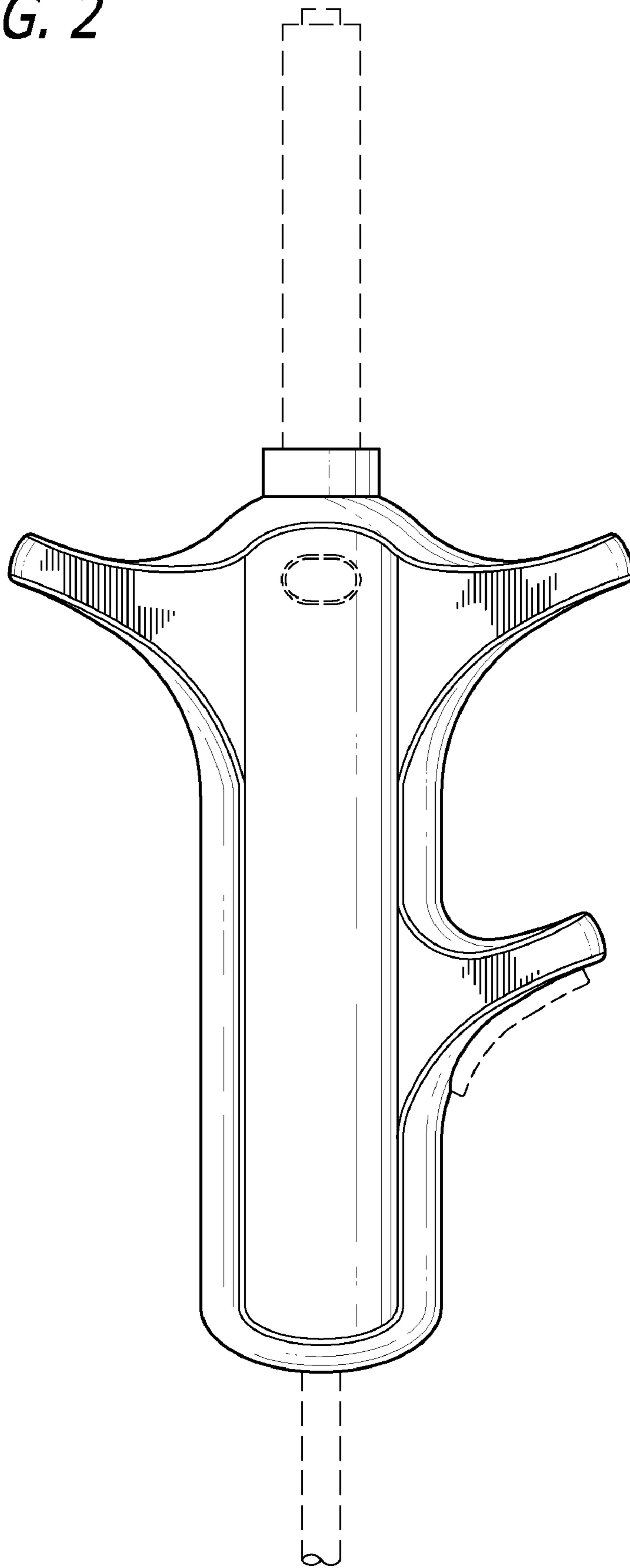


FIG. 3

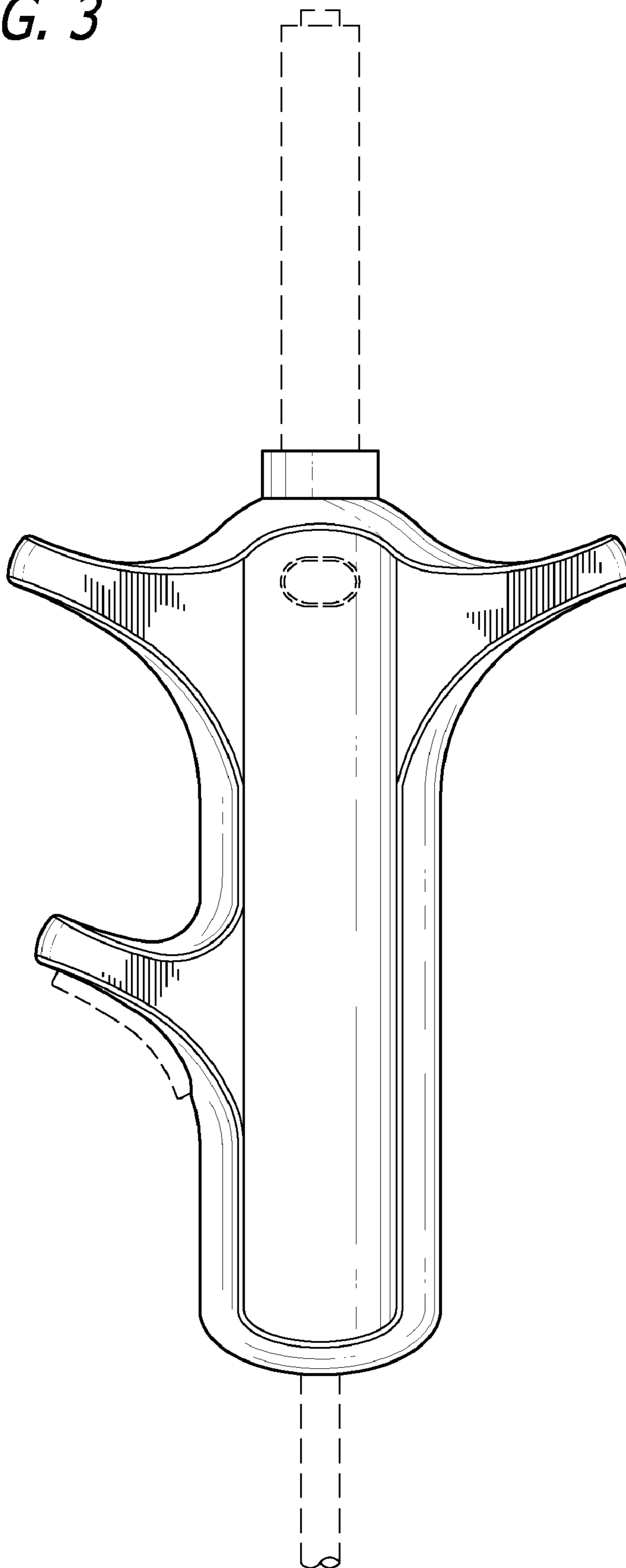


FIG. 4

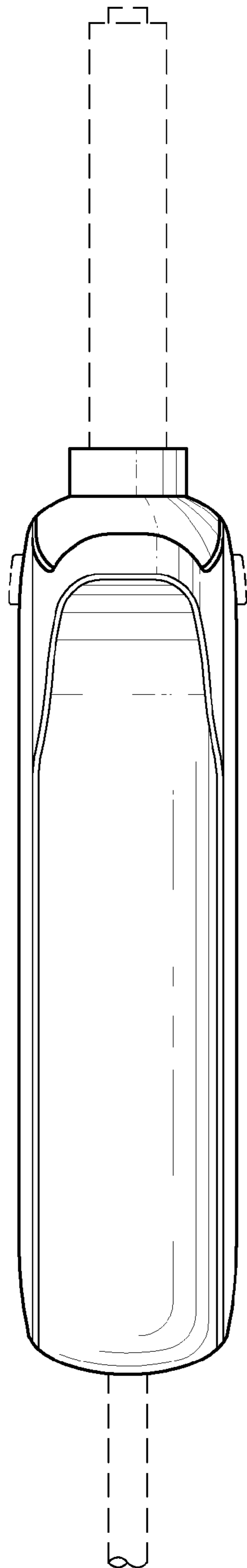


FIG. 5

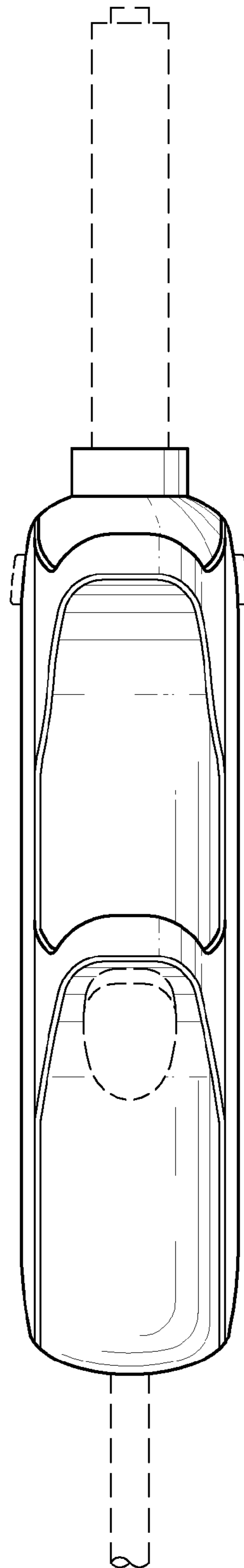


FIG. 6

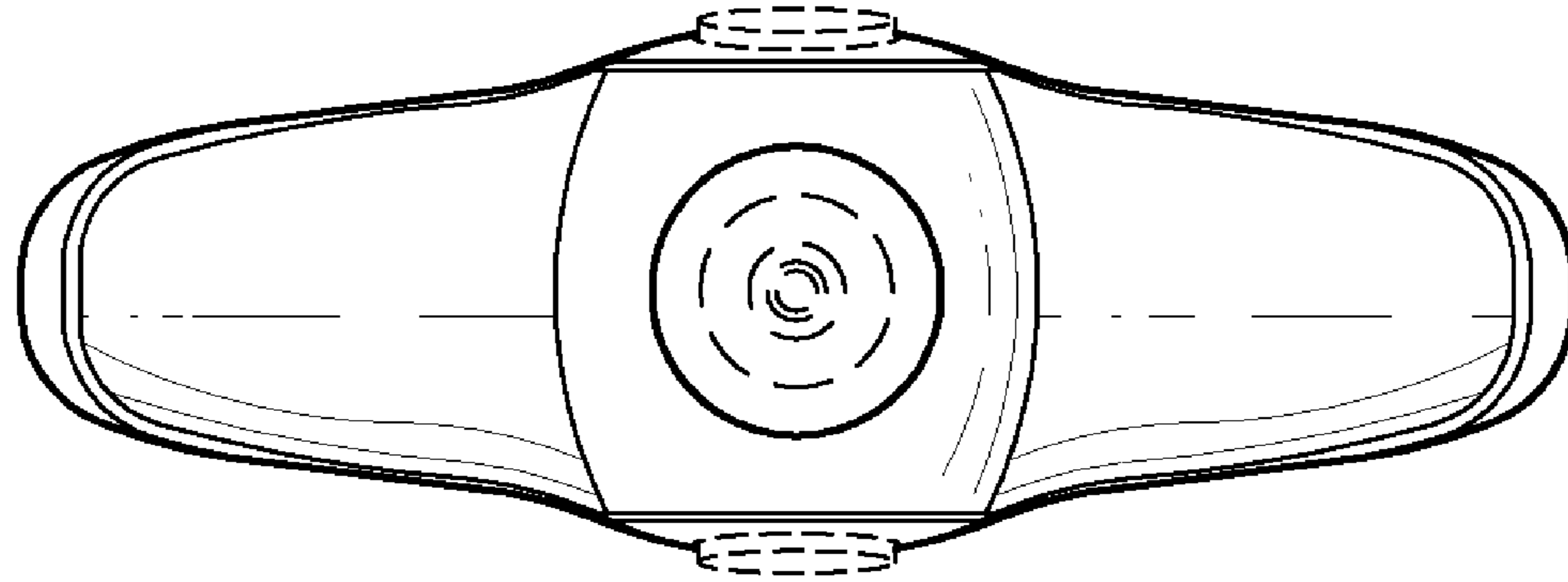


FIG. 7

