



US00D615191S

(12) **United States Design Patent**
McGill et al.

(10) **Patent No.:** **US D615,191 S**

(45) **Date of Patent:** **** *May 4, 2010**

(54) **DISPOSABLE FLUID HANDLING CASSETTE**

2008/0015493 A1 1/2008 Childers et al.
2008/0208111 A1 8/2008 Kamen et al.
2008/0240929 A1 10/2008 Kamen et al.

(75) Inventors: **David W. McGill**, Bedford, NH (US);
Simon C. Helmore, Manchester, NH
(US); **Richard J. Lanigan**, Concord, NH
(US)

FOREIGN PATENT DOCUMENTS

EP 0829266 A2 3/1996
EP 0815882 A2 1/1998
WO 2009/09418 A1 7/2009
WO 2009/09418 A2 7/2009

(73) Assignee: **DEKA Products Limited Partnership**,
Manchester, NH (US)

(**) Term: **14 Years**

* cited by examiner

(21) Appl. No.: **29/331,338**

Primary Examiner—Lisa P Lichtenstein

(22) Filed: **Jan. 23, 2009**

(74) *Attorney, Agent, or Firm*—Wolf, Greenfield & Sacks,
P.C.

(51) **LOC (9) Cl.** **24-02**

(57) **CLAIM**

(52) **U.S. Cl.** **D24/111**

The ornamental design for a disposable fluid handling cas-
sette, as shown and described.

(58) **Field of Classification Search** D24/111,
D24/232, 231, 108, 107; 604/153, 30, 34,
604/113, 82, 114; 417/474

DESCRIPTION

See application file for complete search history.

FIG. 1 is a perspective view of a disposable fluid handling
cassette showing the front, left and bottom sides thereof;
FIG. 2 is a perspective view of a disposable fluid handling
cassette showing the front, right and bottom sides thereof;
FIG. 3 is a perspective view of a disposable fluid handling
cassette showing the rear, left and bottom sides thereof;
FIG. 4 is a perspective view of a disposable fluid handling
cassette showing the rear, right and bottom sides thereof;
FIG. 5 is a front side view thereof;
FIG. 6 is a rear side view thereof;
FIG. 7 is a right side view thereof;
FIG. 8 is a left side view thereof;
FIG. 9 is a top side view thereof; and,
FIG. 10 is a bottom side view thereof.

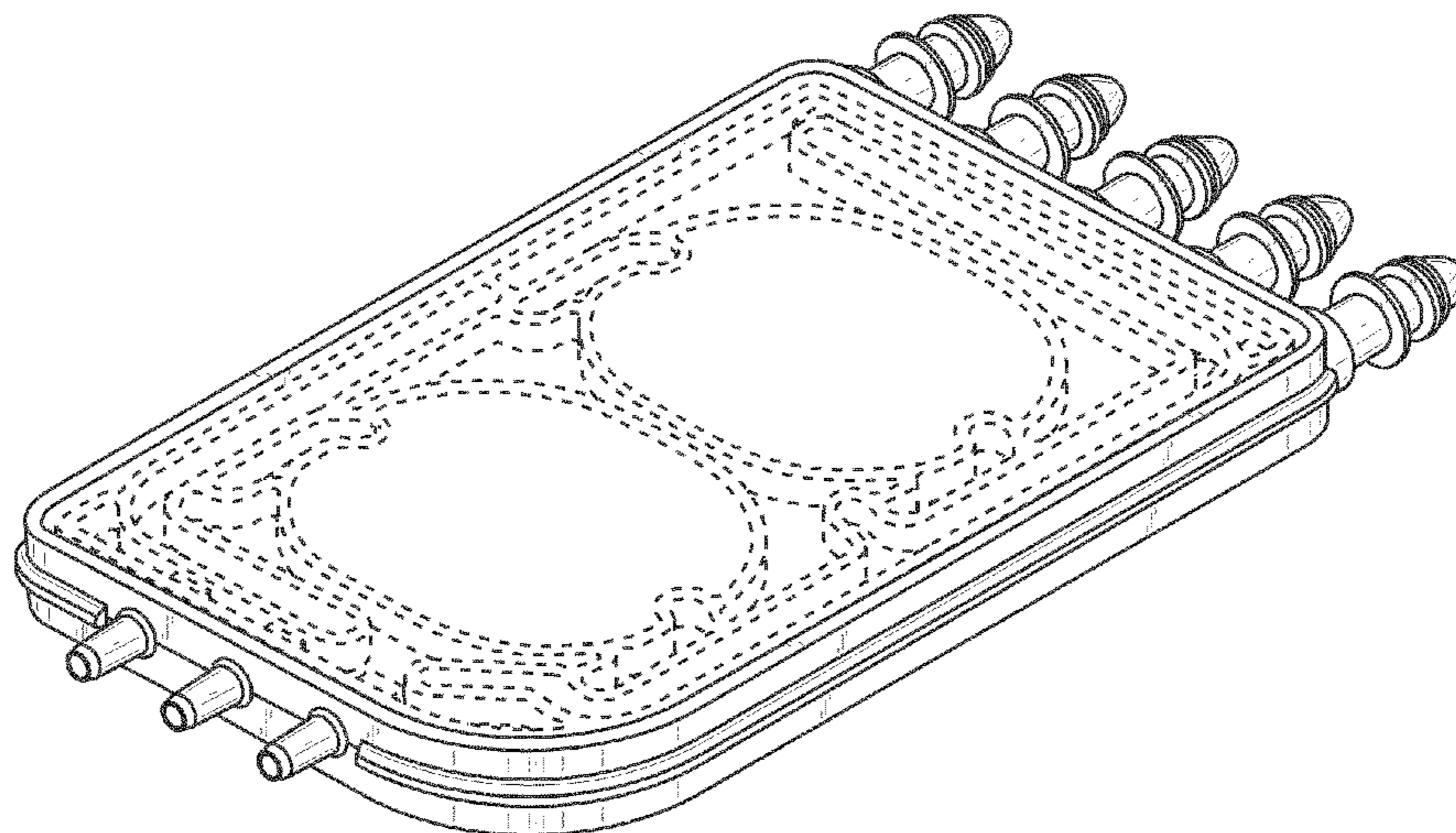
(56) **References Cited**

U.S. PATENT DOCUMENTS

D331,799 S * 12/1992 Kramer et al. D24/111
5,302,093 A * 4/1994 Owens et al. 417/474
D350,822 S * 9/1994 Lanigan D24/111
D350,823 S * 9/1994 Lanigan D24/111
5,350,357 A 9/1994 Kamen et al.
D357,312 S * 4/1995 Riquier et al. D24/111
5,421,823 A 6/1995 Kamen et al.
5,431,626 A 7/1995 Bryant et al.
5,438,510 A 8/1995 Bryant et al.
5,474,683 A 12/1995 Bryant et al.
5,540,808 A 7/1996 Vincent et al.
5,628,908 A 5/1997 Kamen et al.
5,634,896 A 6/1997 Bryant et al.
D398,051 S 9/1998 Lanigan et al.
5,938,634 A 8/1999 Packard
5,989,423 A 11/1999 Kamen et al.
6,416,293 B1 7/2002 Bouchard et al.
6,743,201 B1 * 6/2004 Donig et al. 604/114
2006/0241550 A1 10/2006 Kamen et al.

The broken line representations in the figures are for illustra-
tive purposes only and form no part of the claimed design.

1 Claim, 10 Drawing Sheets



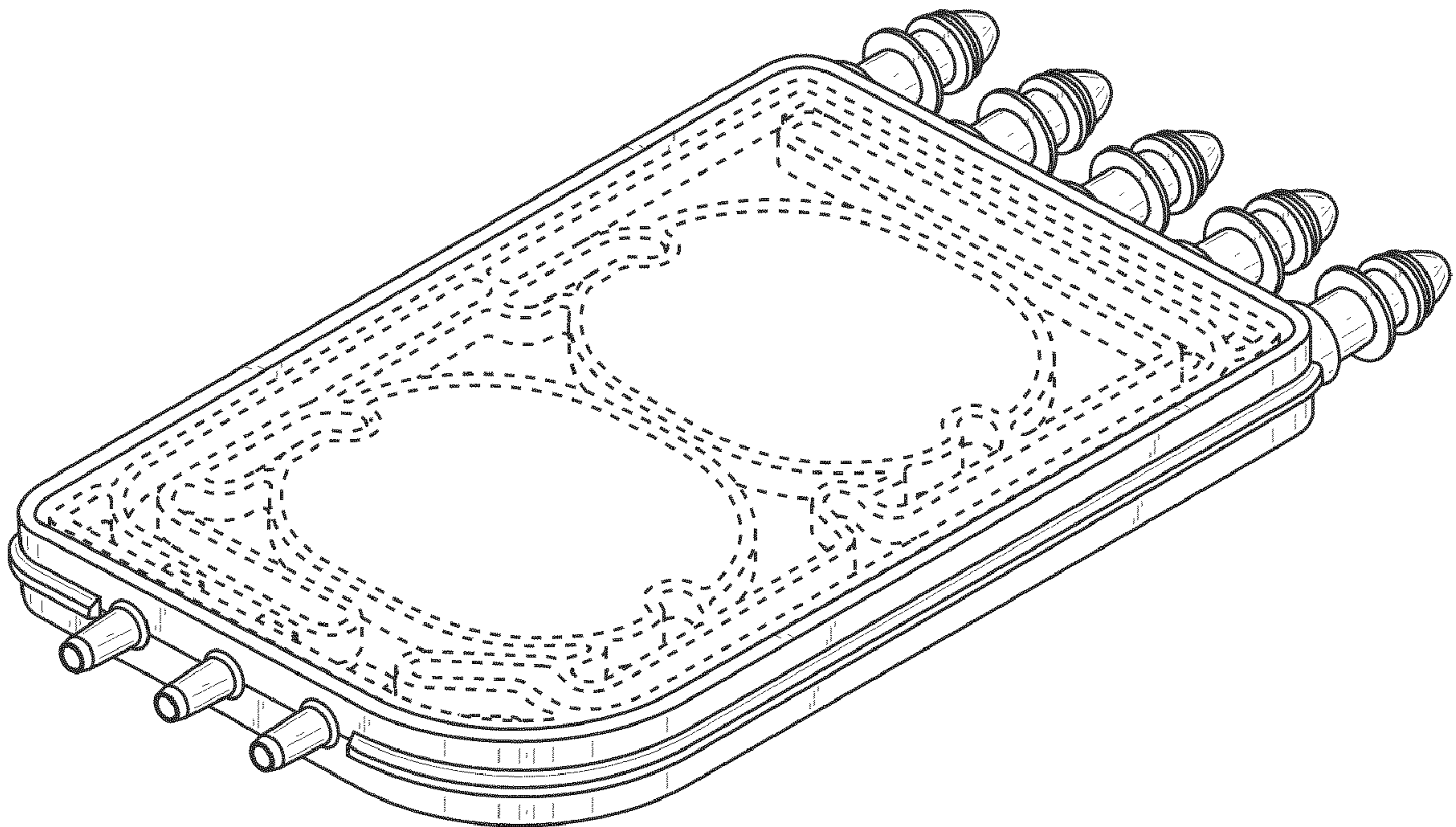


FIG. 1

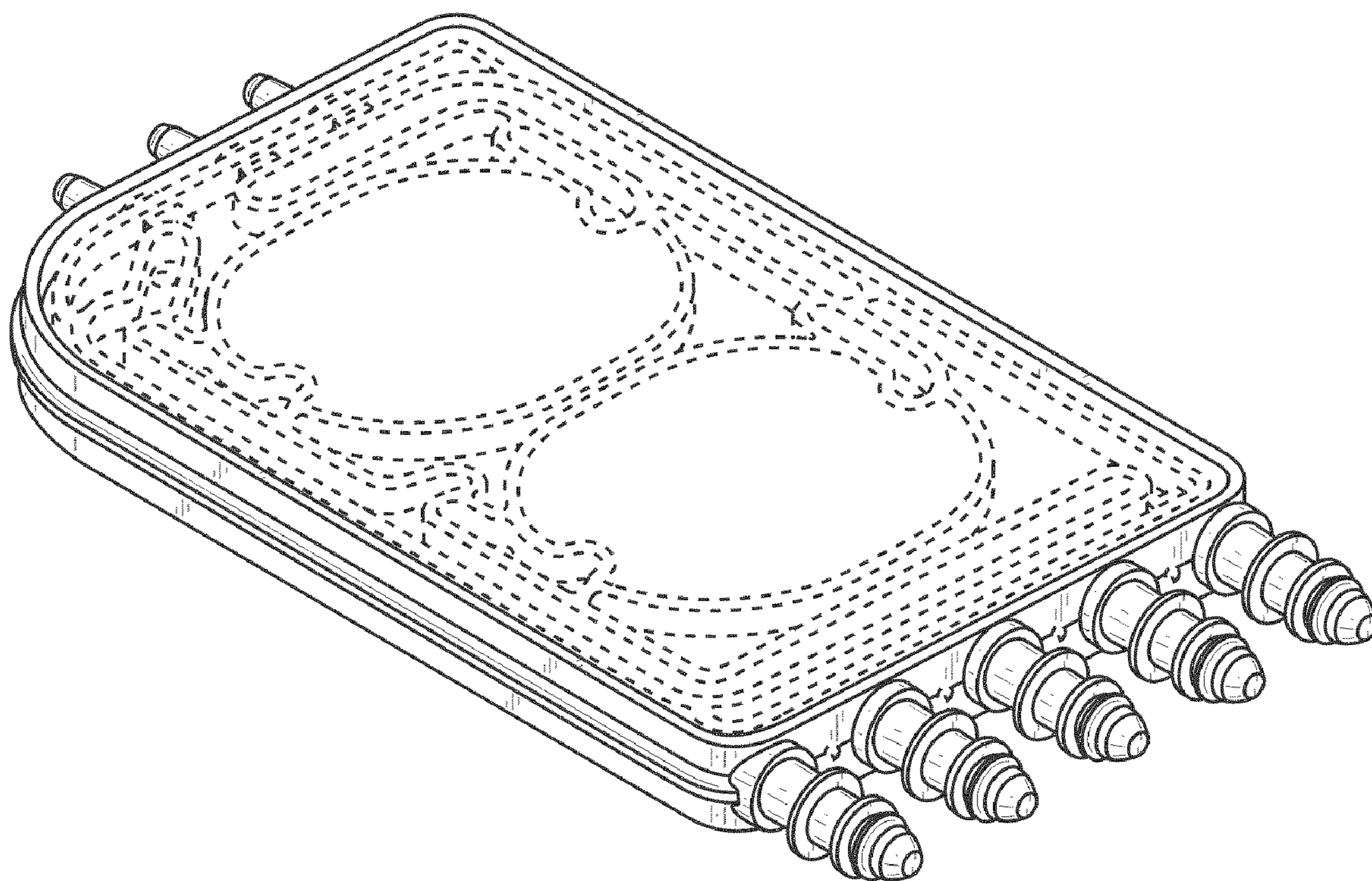


FIG. 2

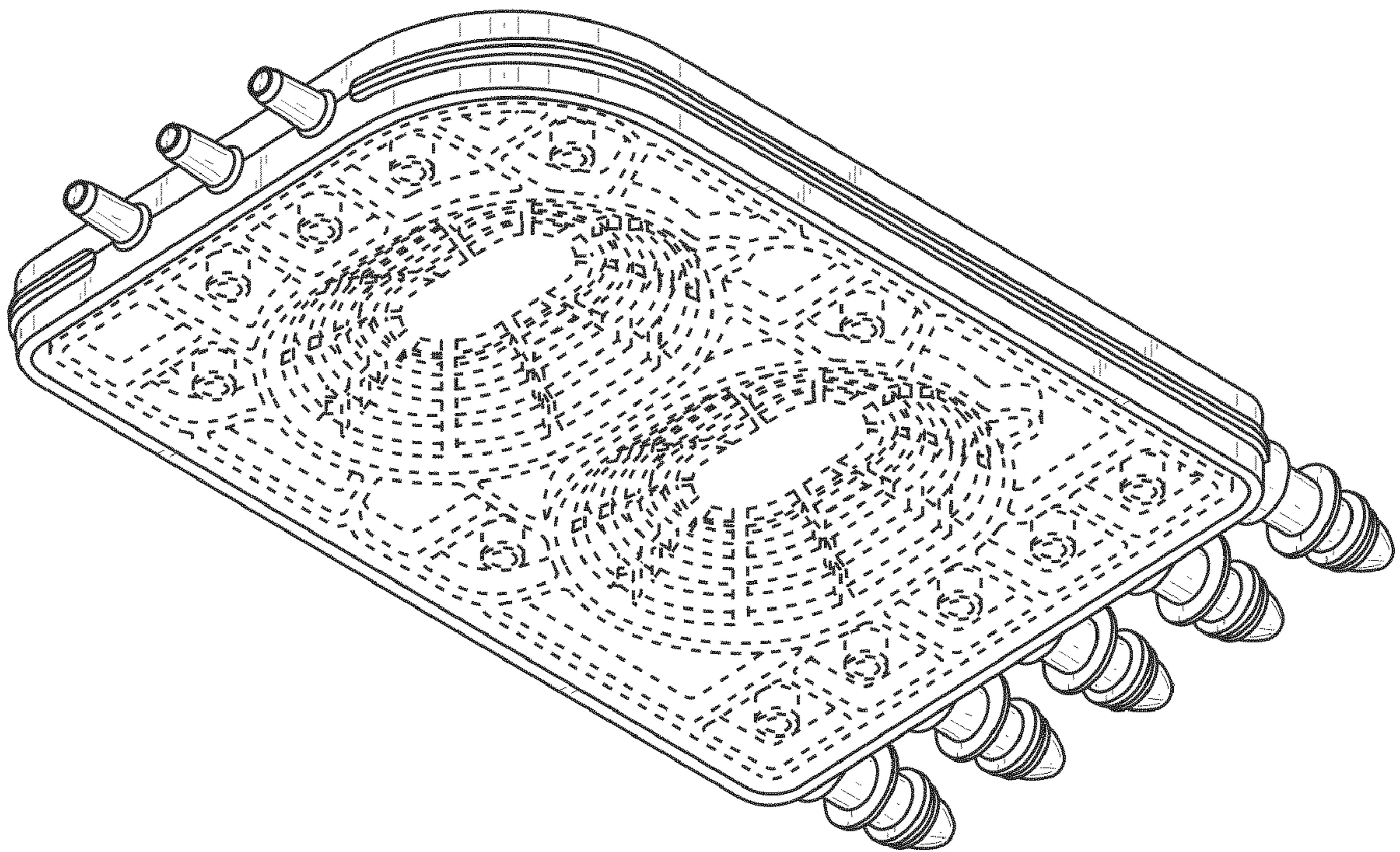


FIG. 3

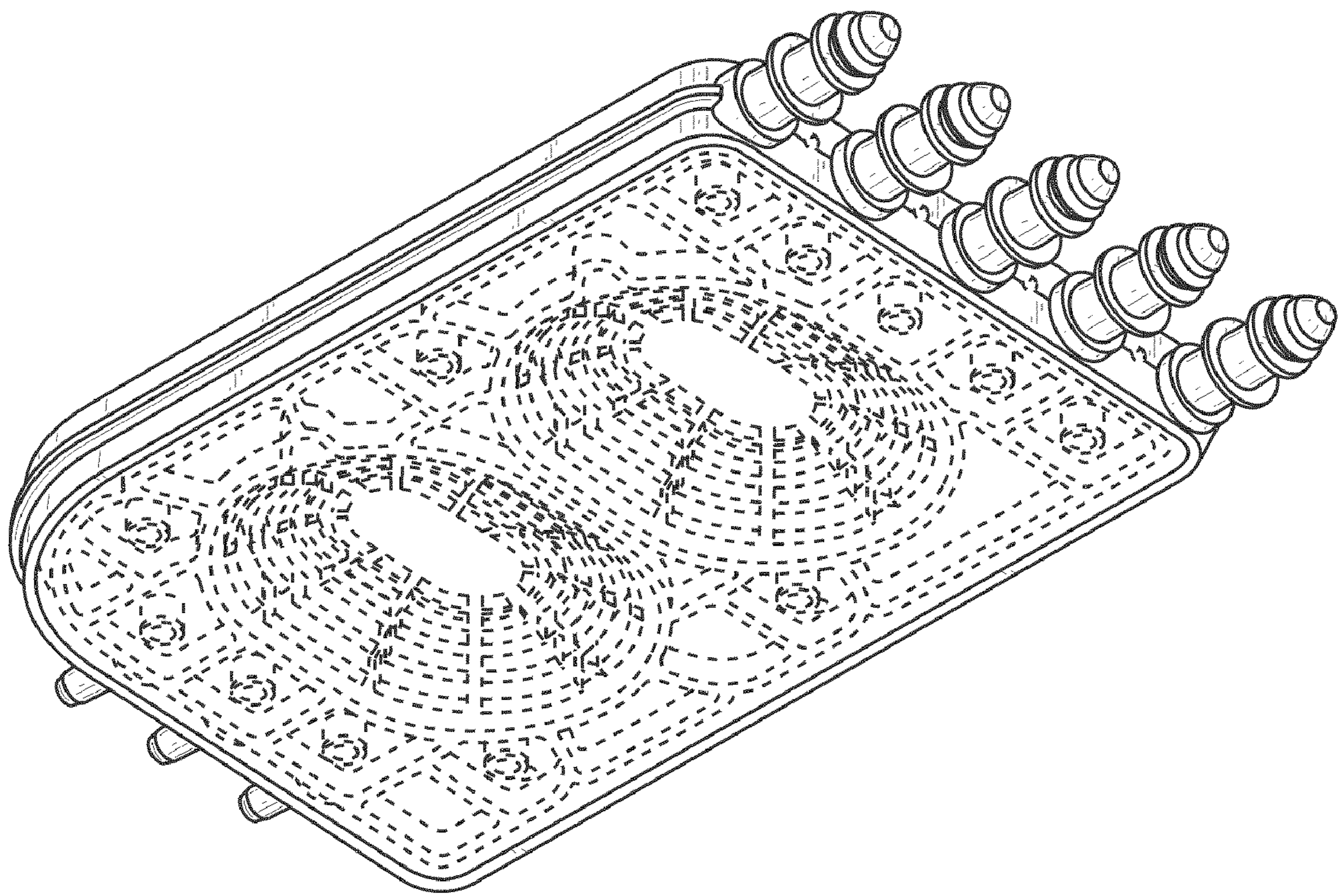


FIG. 4

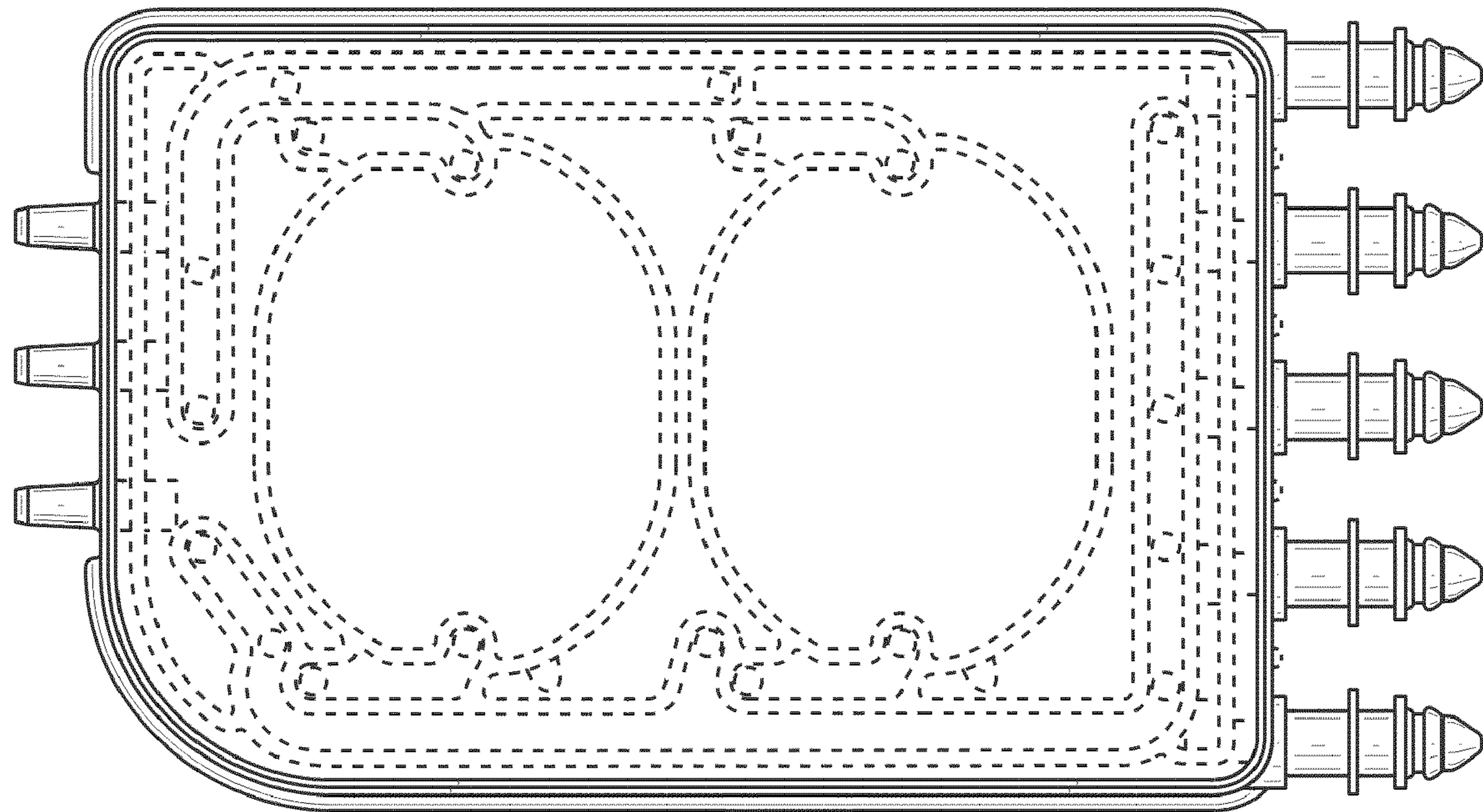


FIG. 5

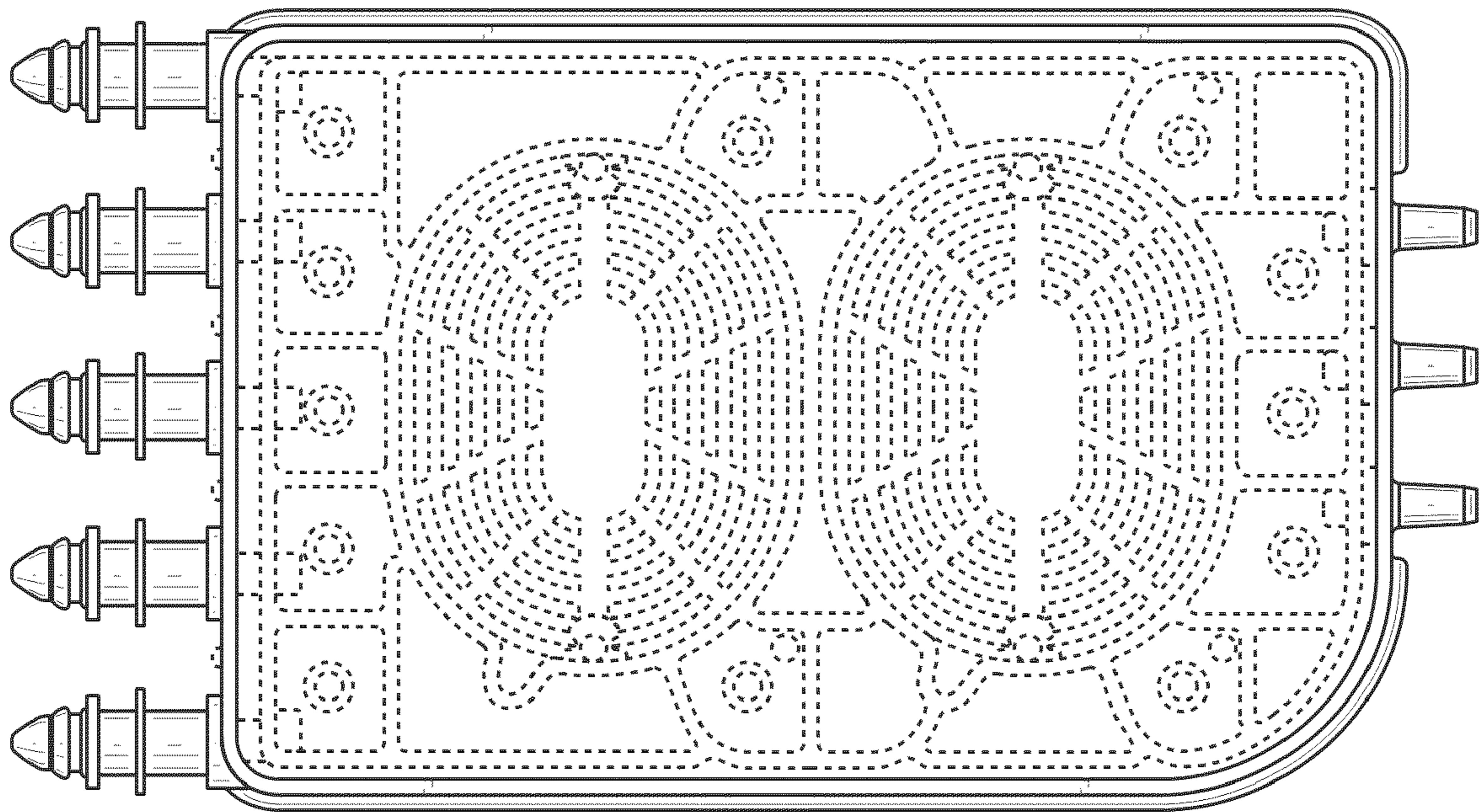


FIG. 6

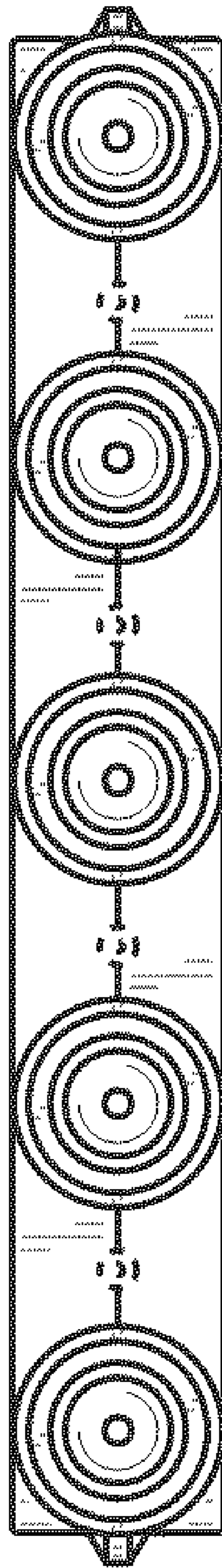


FIG. 7

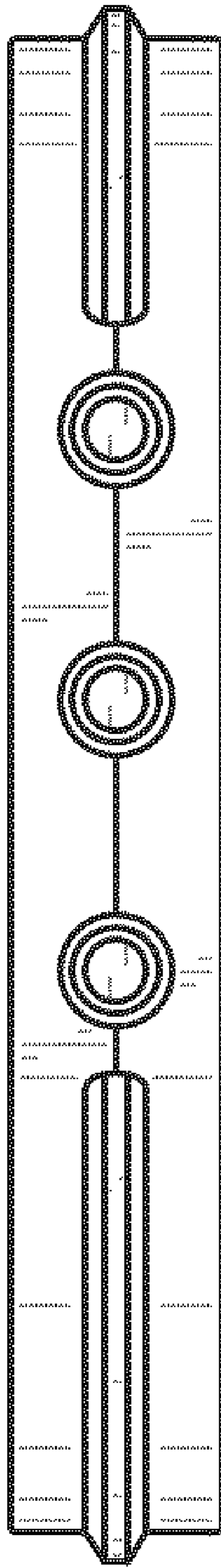


FIG. 8



FIG. 9

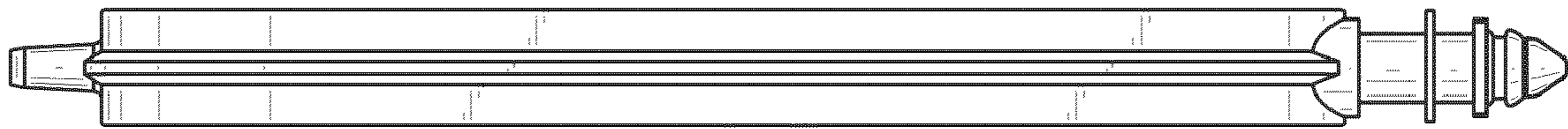


FIG. 10