



US00D615189S

(12) **United States Design Patent**
McGill et al.

(10) **Patent No.:** **US D615,189 S**

(45) **Date of Patent:** **** *May 4, 2010**

(54) **DISPOSABLE FLUID HANDLING CASSETTE**

2008/0240929 A1 10/2008 Kamen et al.

(75) Inventors: **David W. McGill**, Bedford, NH (US);
Richard J. Lanigan, Concord, NH (US)

FOREIGN PATENT DOCUMENTS

(73) Assignee: **DEKA Products Limited Partnership**,
Manchester, NH (US)

EP	0829266	A2	3/1996
EP	0815882	A2	1/1998
WO	2009/094182	A2	7/2009
WO	2009/094183	A1	7/2009
WO	2009/094185	A2	7/2009
WO	2009/094186	A2	7/2009

(**) Term: **14 Years**

(21) Appl. No.: **29/331,320**

* cited by examiner

(22) Filed: **Jan. 23, 2009**

Primary Examiner—Lisa P Lichtenstein

(51) **LOC (9) Cl.** **24-02**

(74) *Attorney, Agent, or Firm*—Wolf, Greenfield & Sacks, P.C.

(52) **U.S. Cl.** **D24/111**

(58) **Field of Classification Search** D24/111,
D24/232, 231, 108, 107; 604/153, 30, 34,
604/113, 82, 114; 417/474

(57) **CLAIM**

See application file for complete search history.

The ornamental design for a disposable fluid handling cassette, as shown and described.

(56) **References Cited**

DESCRIPTION

U.S. PATENT DOCUMENTS

D331,799	S	*	12/1992	Kramer et al.	D24/111
5,302,093	A	*	4/1994	Owens et al.	417/474
D350,822	S	*	9/1994	Lanigan	D24/111
D350,823	S	*	9/1994	Lanigan	D24/111
5,350,357	A		9/1994	Kamen et al.		
D357,312	S	*	4/1995	Riquier et al.	D24/111
5,421,823	A		6/1995	Kamen et al.		
5,431,626	A		7/1995	Bryant et al.		
5,438,510	A		8/1995	Bryant et al.		
5,474,683	A		12/1995	Bryant et al.		
5,540,808	A		7/1996	Vincent et al.		
5,628,908	A		5/1997	Kamen et al.		
5,634,896	A		6/1997	Bryant et al.		
D398,051	S		9/1998	Lanigan		
5,938,634	A		8/1999	Packard		
5,989,423	A		11/1999	Kamen et al.		
6,416,293	B1		7/2002	Bouchard et al.		
6,743,201	B1	*	6/2004	Donig et al.	604/114
2006/0241550	A1		10/2006	Kamen et al.		
2008/0015493	A1		1/2008	Childers et al.		
2008/0208111	A1		8/2008	Kamen et al.		

FIG. 1 is a perspective view of a disposable fluid handling cassette showing the front, left and bottom sides thereof;

FIG. 2 is a perspective view of a disposable fluid handling cassette showing the front, right and bottom sides thereof;

FIG. 3 is a perspective view of a disposable fluid handling cassette showing the rear, left and bottom sides thereof;

FIG. 4 is a perspective view of a disposable fluid handling cassette showing the rear, right and bottom sides thereof;

FIG. 5 is a front side view thereof;

FIG. 6 is a rear side view thereof;

FIG. 7 is a right side view thereof;

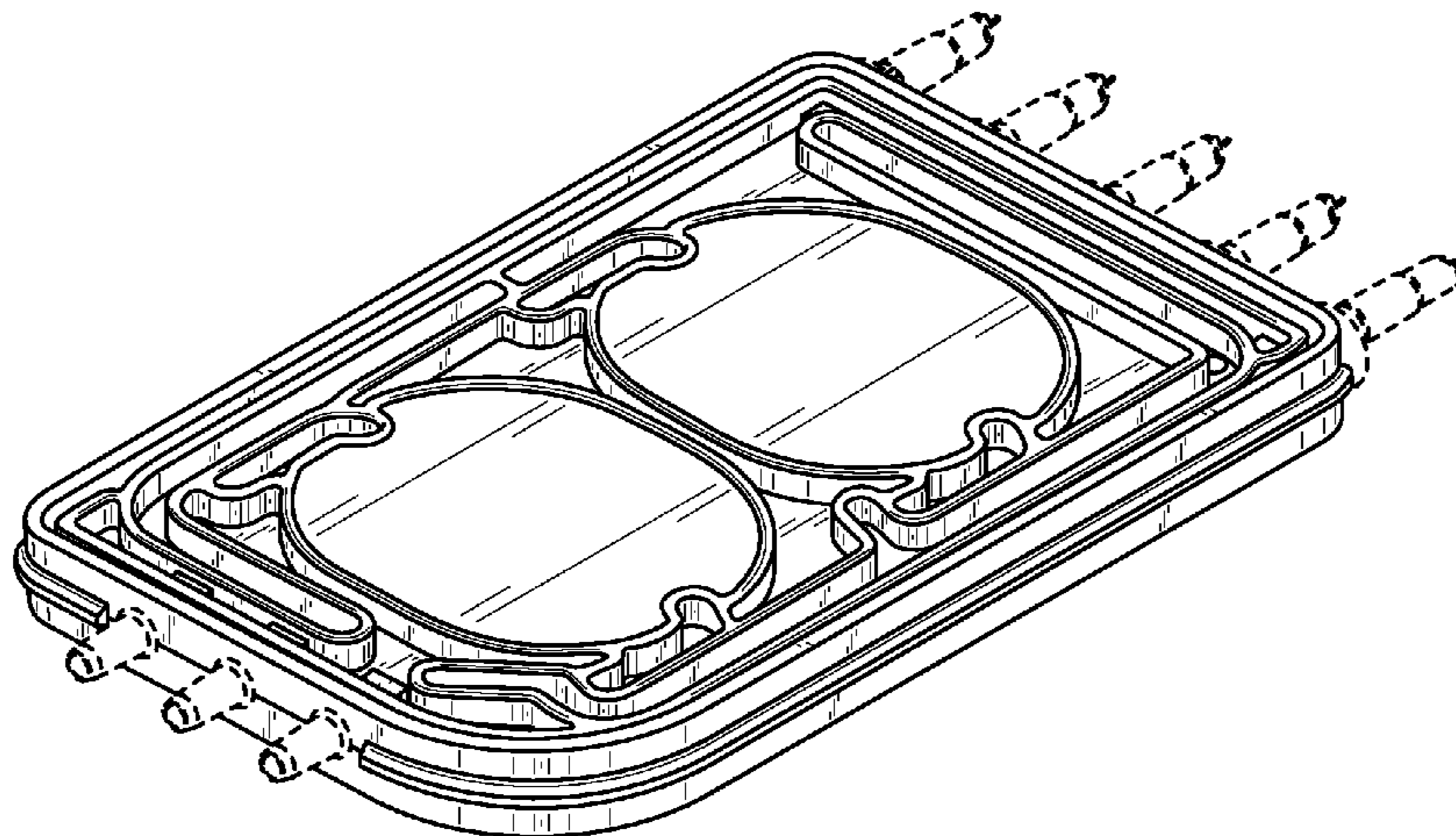
FIG. 8 is a left side view thereof;

FIG. 9 is a top side view thereof; and,

FIG. 10 is a bottom side view thereof.

The broken line representations in the figures are for illustrative purposes only and form no part of the claimed design.

1 Claim, 10 Drawing Sheets



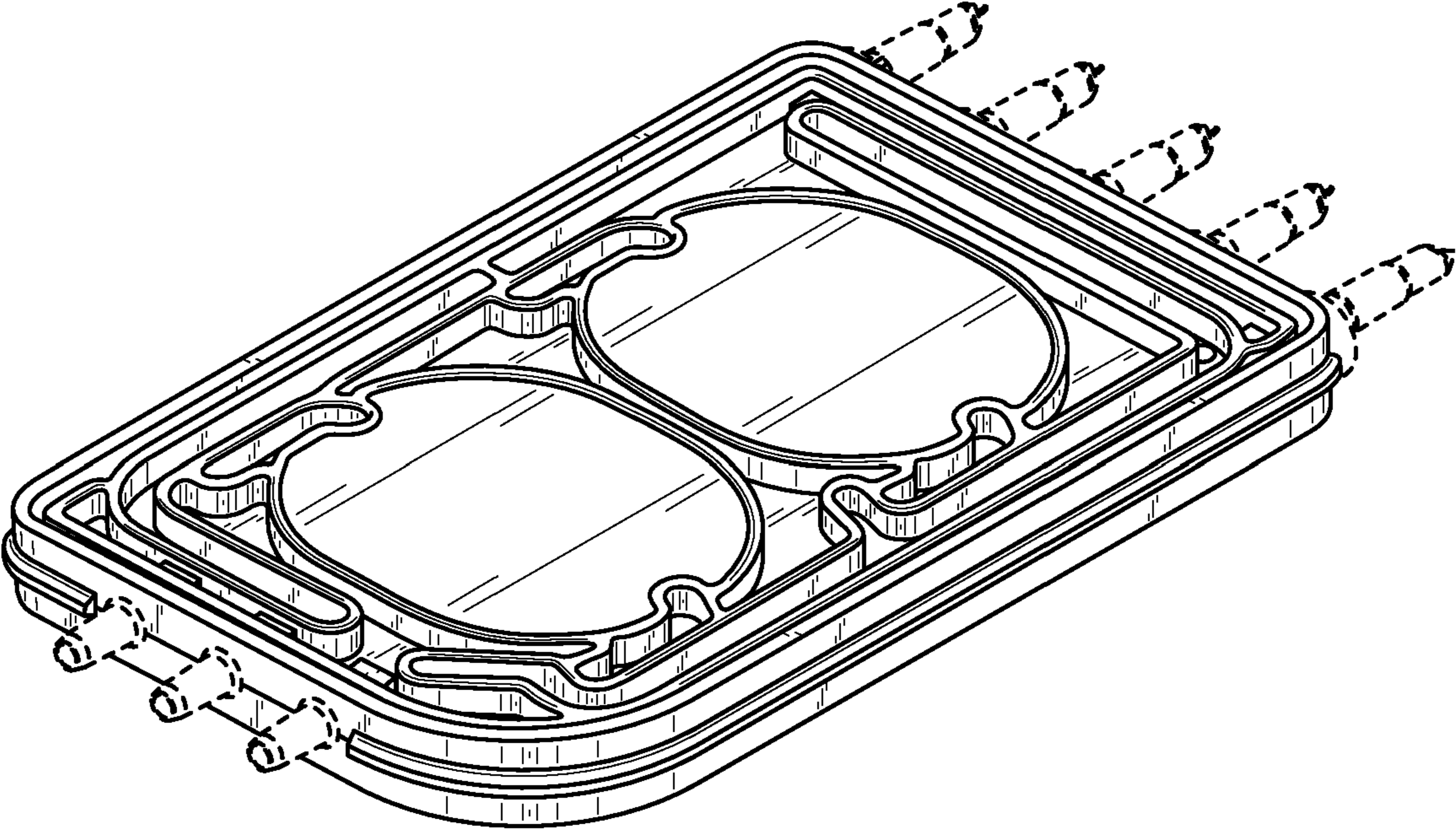


FIG. 1

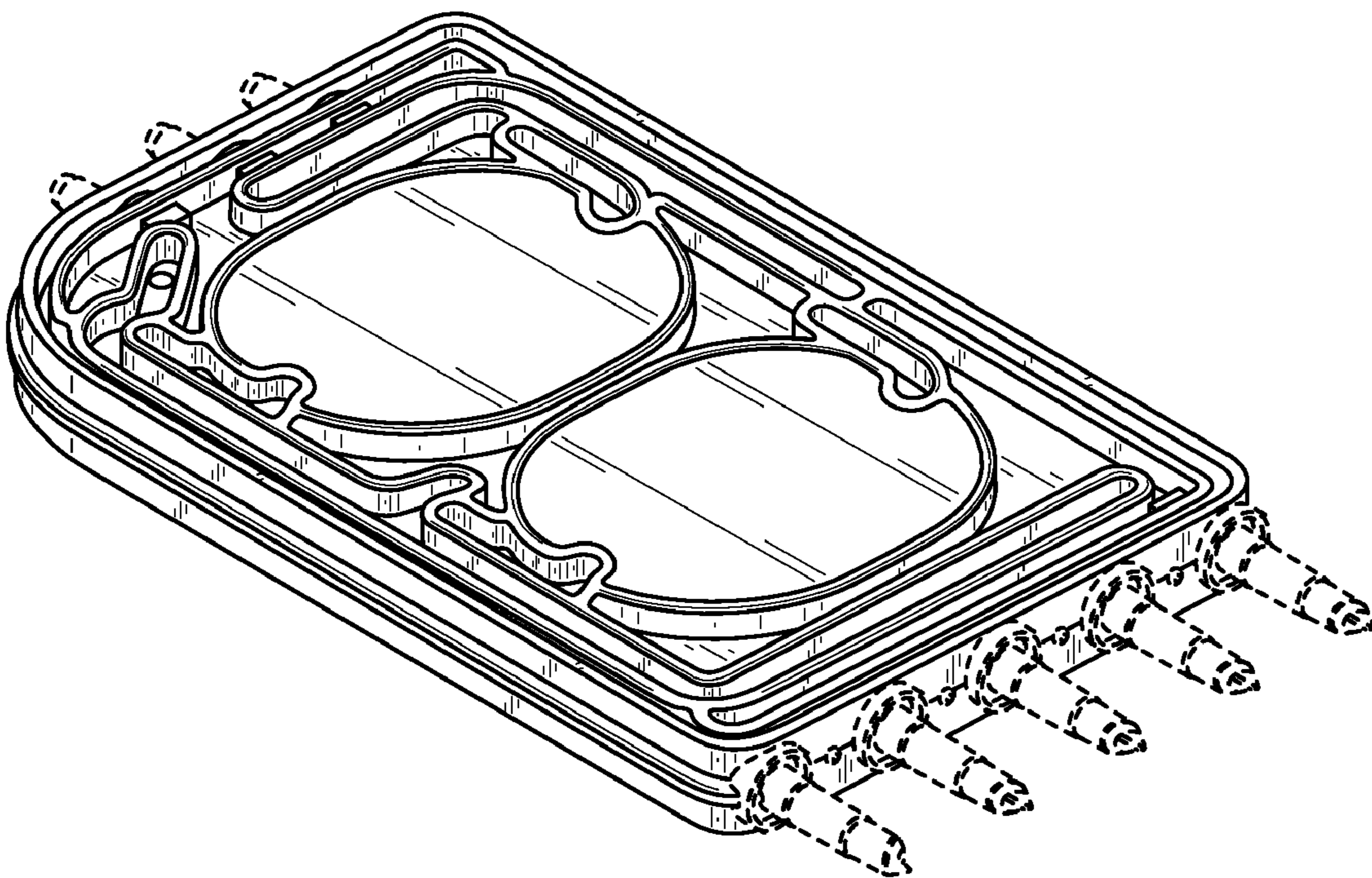


FIG. 2

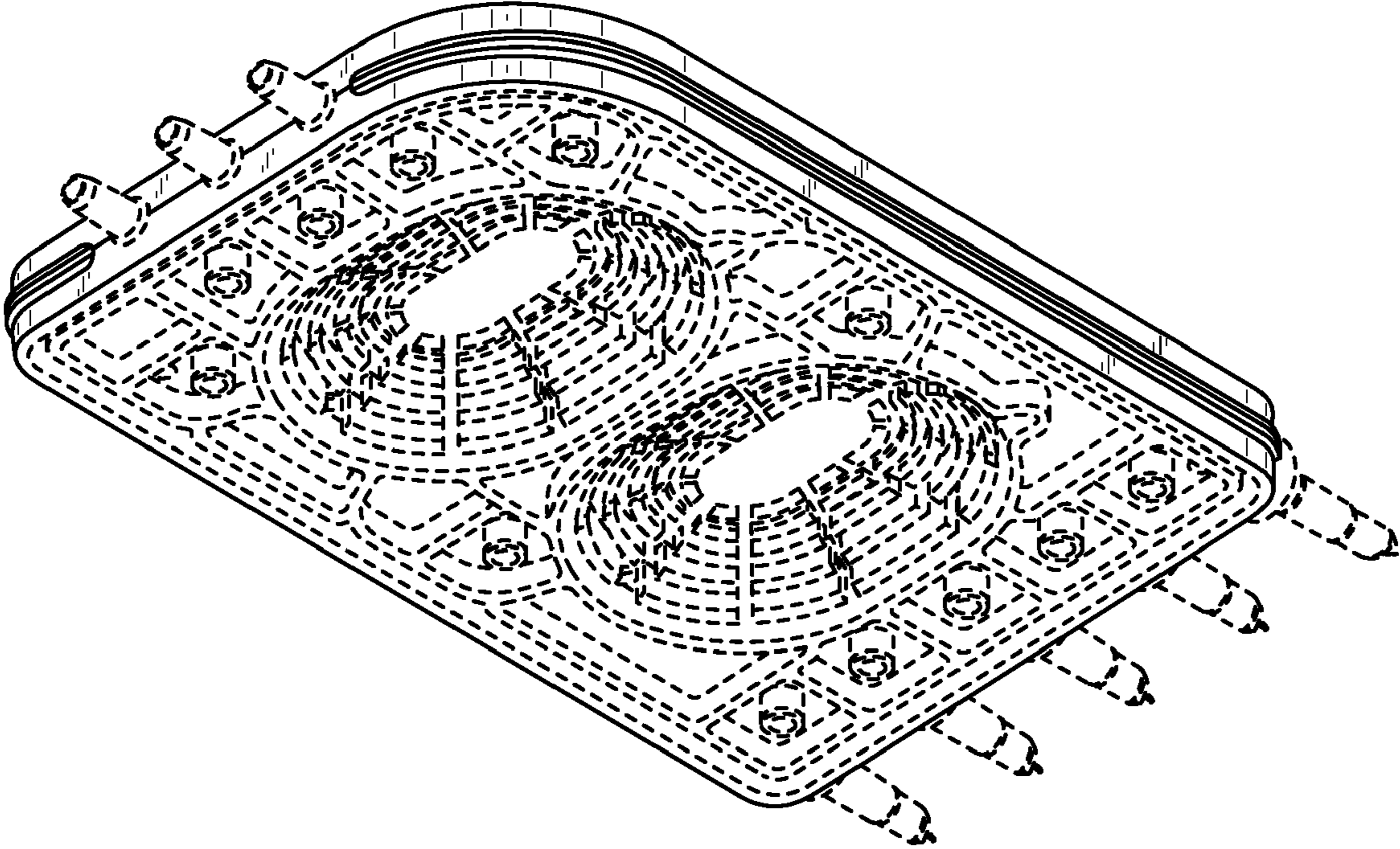


FIG. 3

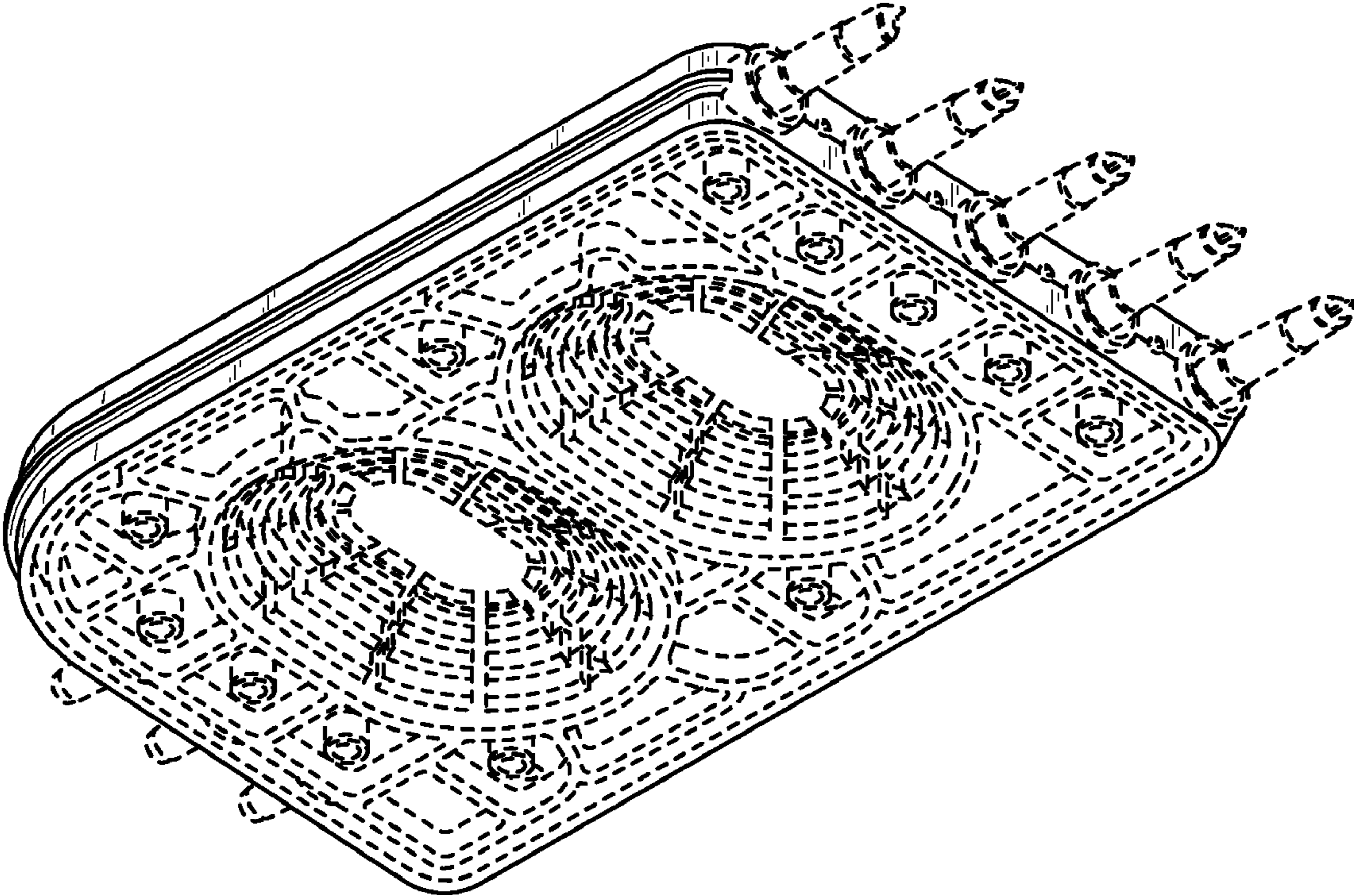


FIG. 4

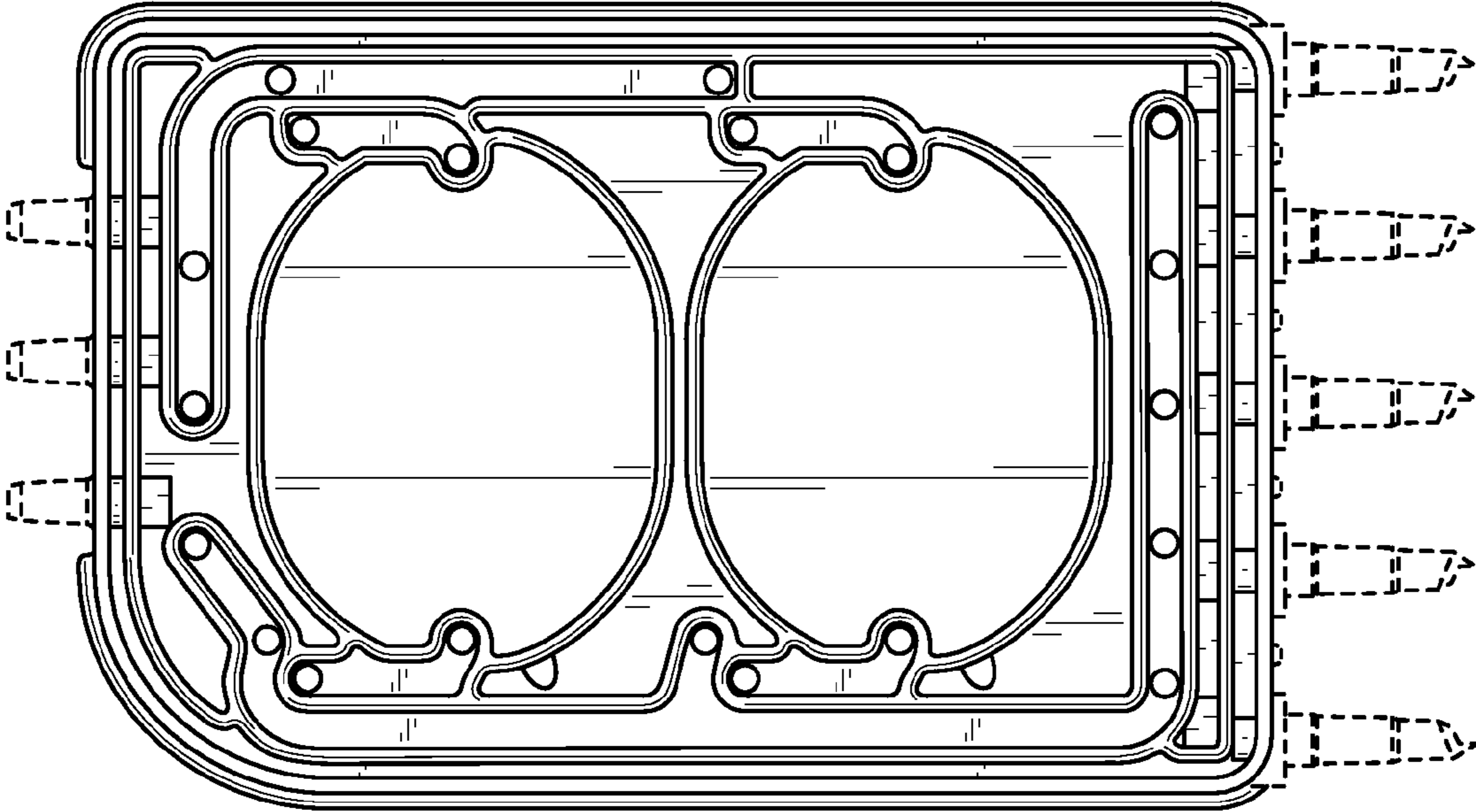


FIG. 5

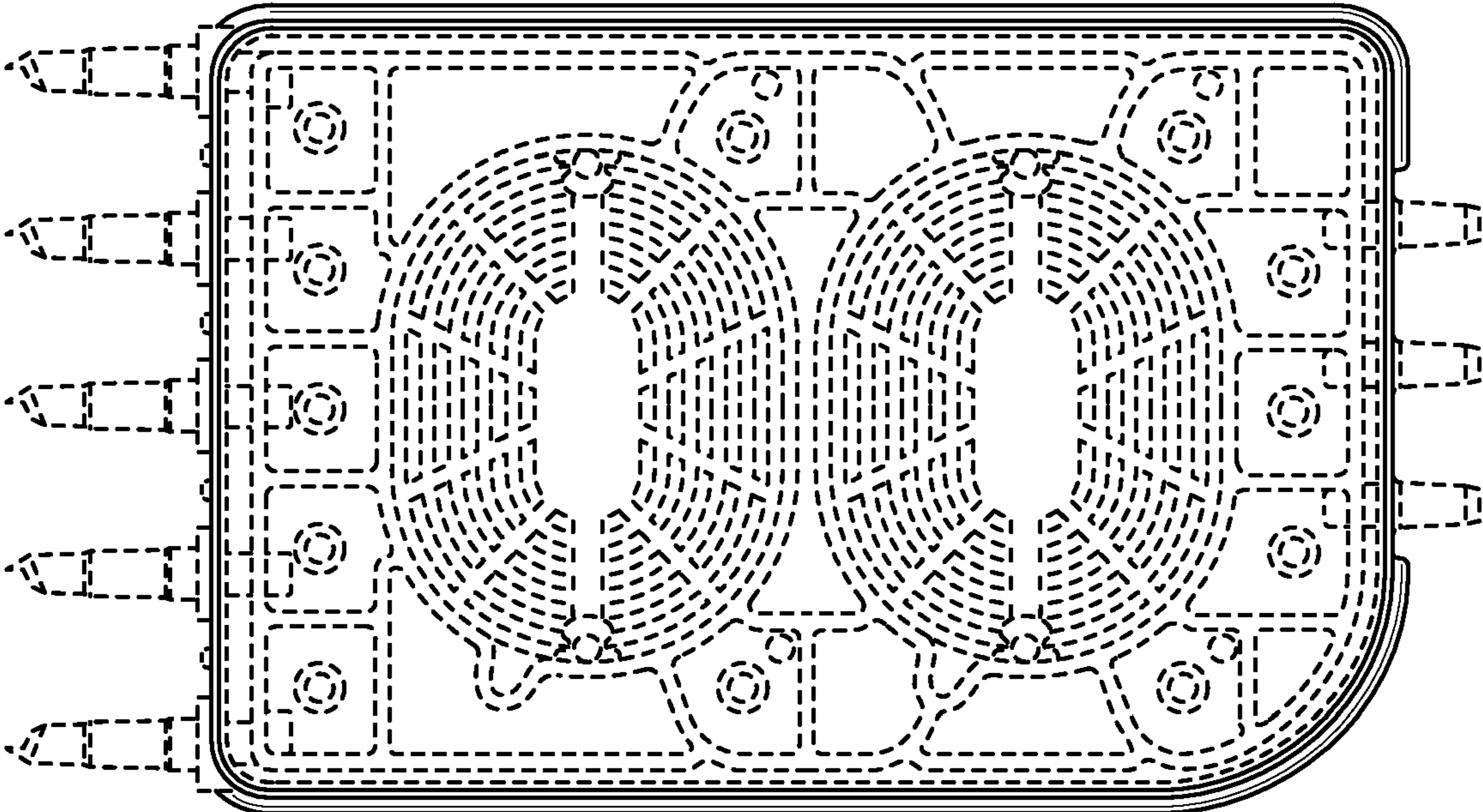


FIG. 6

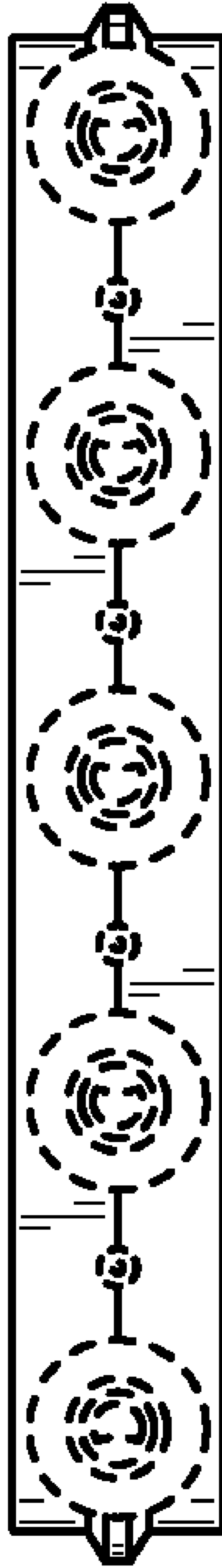


FIG. 7

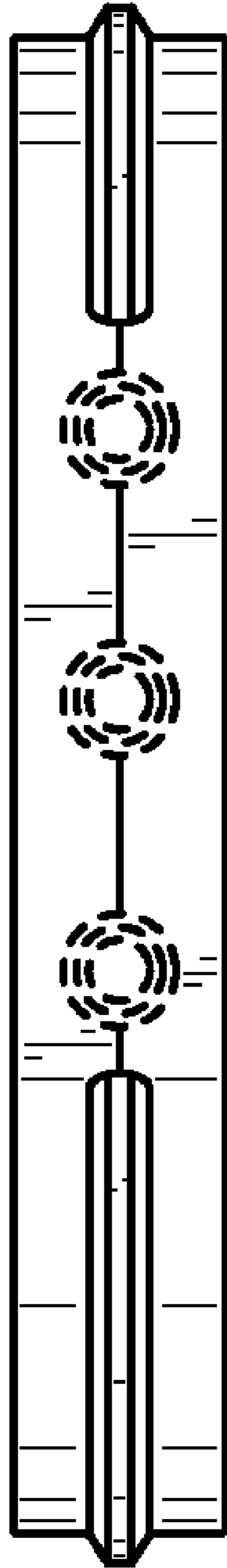


FIG. 8

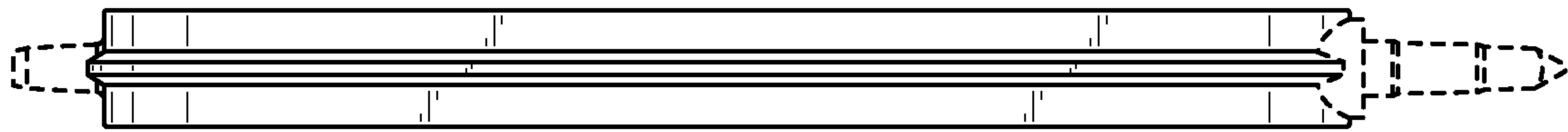


FIG. 9



FIG. 10