



US00D615188S

(12) **United States Design Patent**  
**Nasir**

(10) **Patent No.:** **US D615,188 S**  
(45) **Date of Patent:** **\*\* May 4, 2010**

(54) **AIRWAY DEVICE**

2006/0207601 A1\* 9/2006 Nasir ..... 128/207.14

(75) Inventor: **Muhammed Aslam Nasir**, Luton (GB)

**FOREIGN PATENT DOCUMENTS**

(73) Assignee: **Intersurgical UAB** (LT)

EP	0389272	9/1990
EP	0911049	4/1999
EP	1125595	8/2001
GB	2 373 188	1/2002
GB	2 393 399	3/2004
WO	WO 00/30706	2/2000
WO	WO 0009189	2/2000
WO	WO 00/61213	10/2000
WO	WO 2004/016308	2/2004

(\*\*) Term: **14 Years**

(21) Appl. No.: **29/253,869**

(22) Filed: **Feb. 14, 2006**

(51) **LOC (9) Cl.** ..... **29-02**

(52) **U.S. Cl.** ..... **D24/110.5**

(58) **Field of Classification Search** ..... D24/110,  
D24/110.1, 110.5, 164; 128/207.14, 207.15,  
128/200.26; 604/104, 174, 96.01

See application file for complete search history.

**OTHER PUBLICATIONS**

“The Development of the Laryngeal Mask—A Brief History of the Invention, Early Clinical Studies and Experimental Work from which the Laryngeal Mask Evolved” A.I.J. Brain, European Journal of Anesthesiology, 1991, Supp. 4.

\* cited by examiner

*Primary Examiner*—Ian Simmons

*Assistant Examiner*—Christopher Lee

(74) *Attorney, Agent, or Firm*—Hayes Soloway P.C.

(56) **References Cited**

**U.S. PATENT DOCUMENTS**

3,734,100	A	5/1973	Walker et al.	128/351
5,391,248	A	2/1995	Brain	156/242
5,584,290	A *	12/1996	Brain	128/207.15
5,632,271	A	5/1997	Brain	128/207
5,979,445	A *	11/1999	Neame et al.	128/207.15
5,988,167	A	11/1999	Kamen	128/207
D429,811	S	8/2000	Bermudez	D24/110
6,095,144	A	8/2000	Pagan	128/207
6,631,720	B1	10/2003	Brain	128/207
6,705,318	B1 *	3/2004	Brain	128/207.14
D518,572	S *	4/2006	Nasir	D24/110.5
D518,890	S *	4/2006	Nasir	D24/110.5
7,047,973	B2 *	5/2006	Chang	128/207.15
7,134,431	B2 *	11/2006	Brain	128/200.26
2001/0015207	A1	8/2001	Pagan	128/207
2002/0010617	A1	1/2002	Hamaguchi et al.	405/10
2004/0020491	A1	2/2004	Fortuna	128/207
2005/0051173	A1	3/2005	Brain	128/207
2005/0081861	A1 *	4/2005	Nasir	128/207.14

(57) **CLAIM**

The ornamental design for an airway device, as shown and described.

**DESCRIPTION**

FIG. 1 is a left side elevational view of an airway device, showing my new design;

FIG. 2 is a right side elevational view thereof;

FIG. 3 is a front view thereof;

FIG. 4 is a rear view thereof;

FIG. 5 is a top plan view thereof; and,

FIG. 6 is a bottom plan view thereof.

**1 Claim, 3 Drawing Sheets**

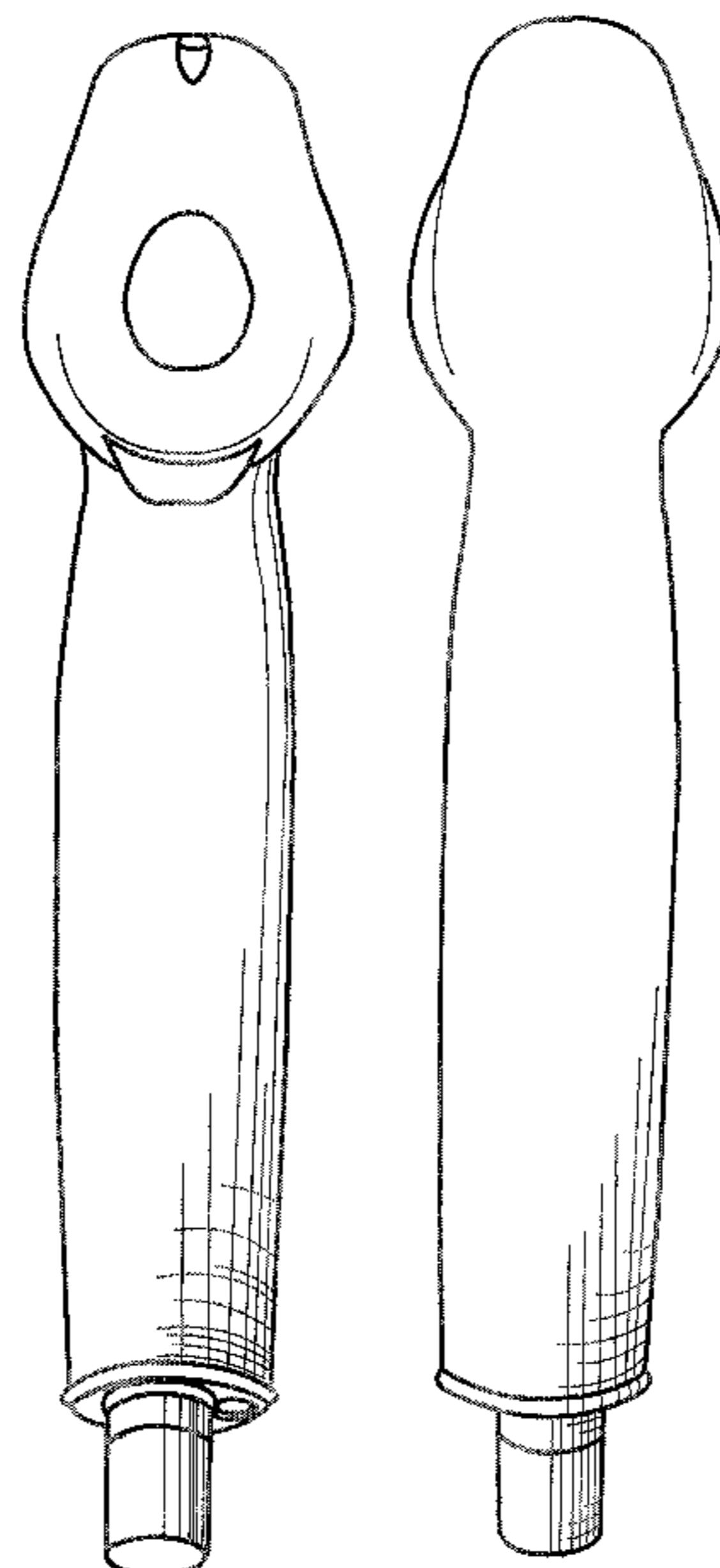




FIG. 1

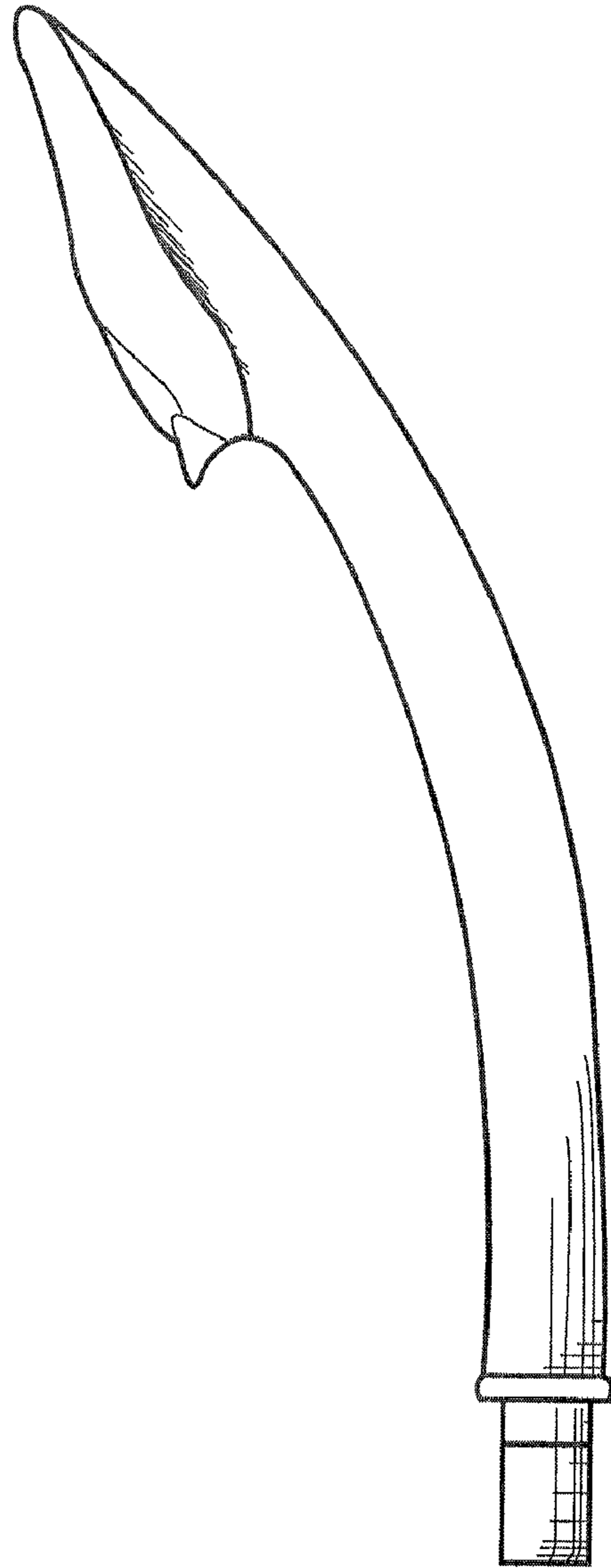


FIG. 2

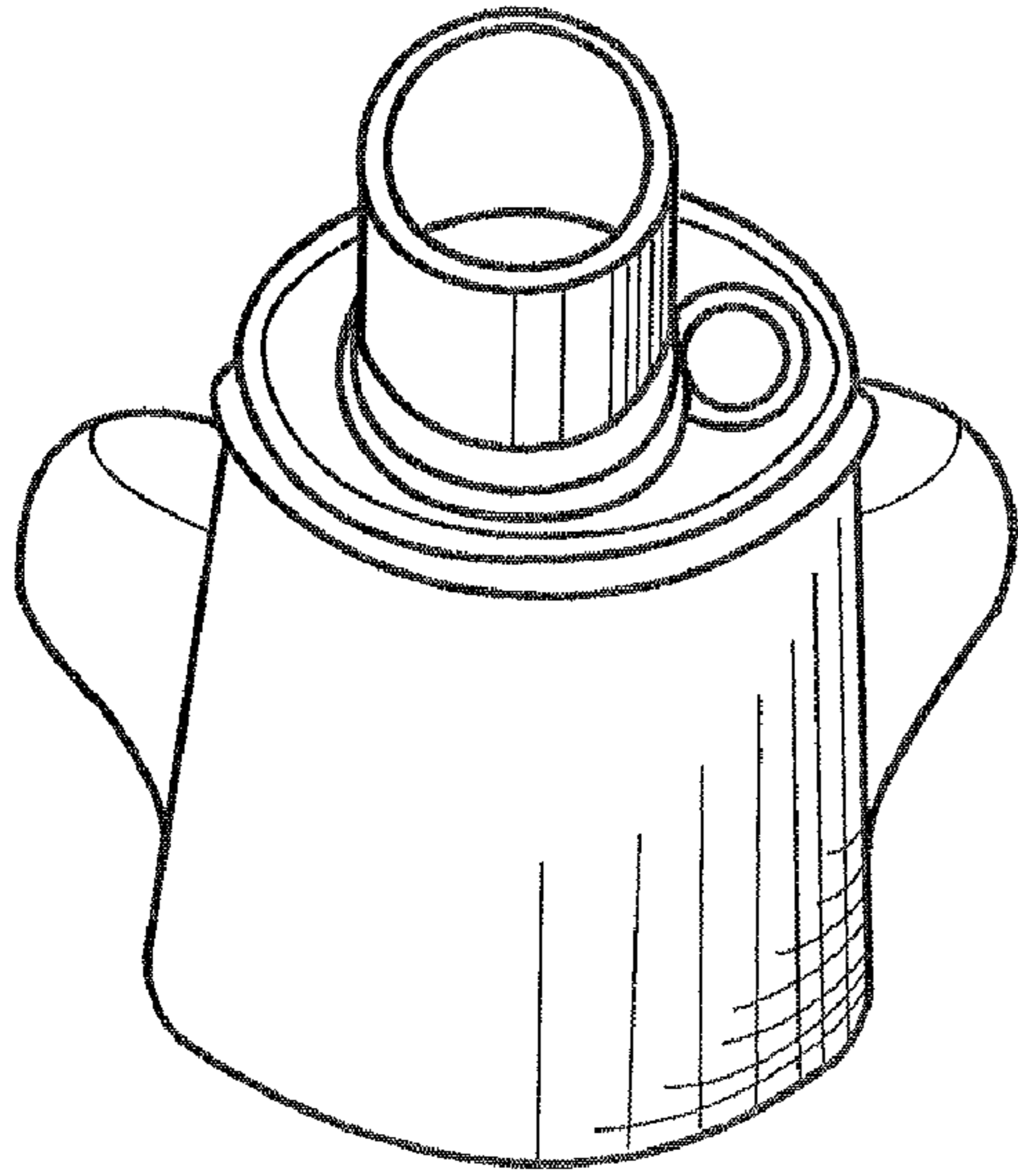


FIG. 3

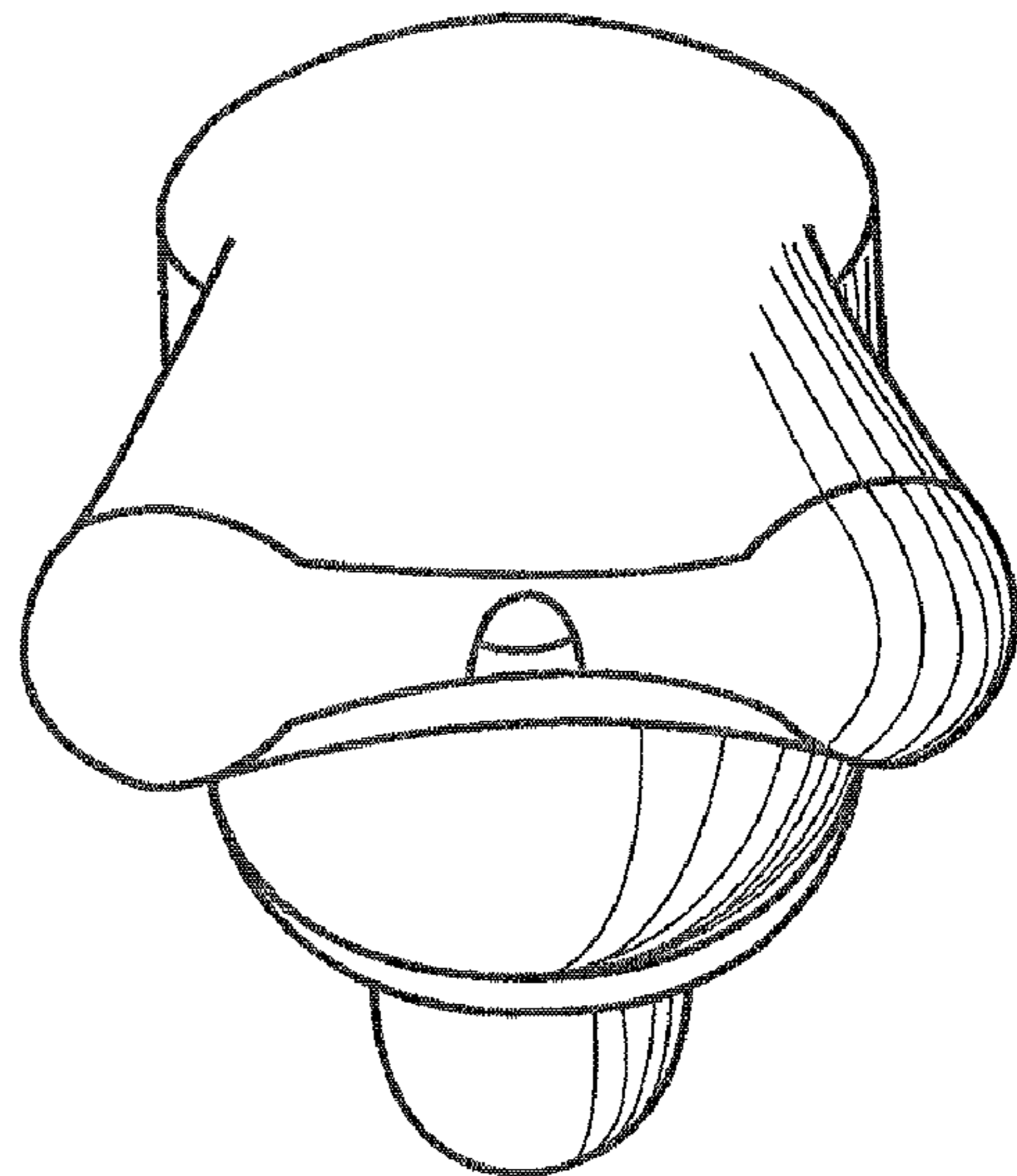


FIG. 4

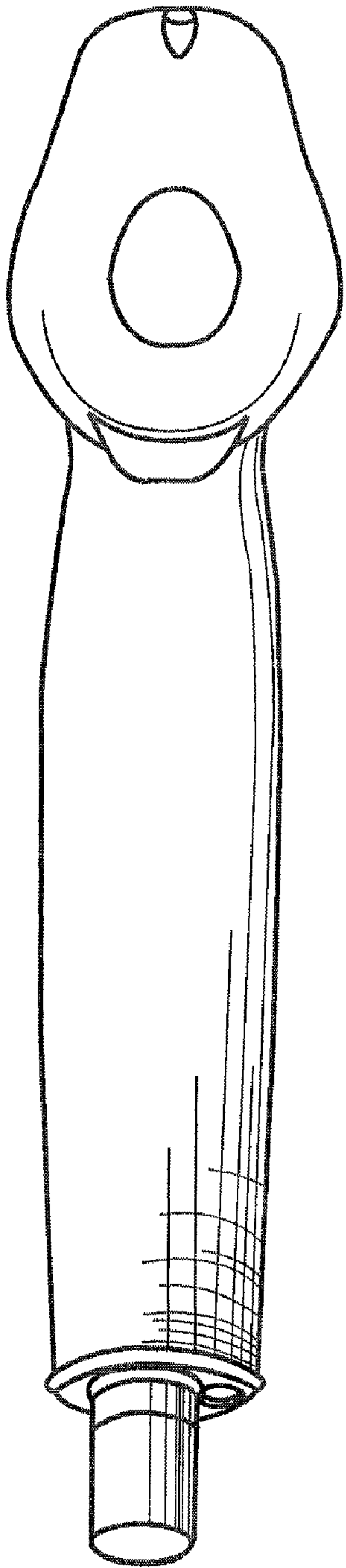


FIG. 5

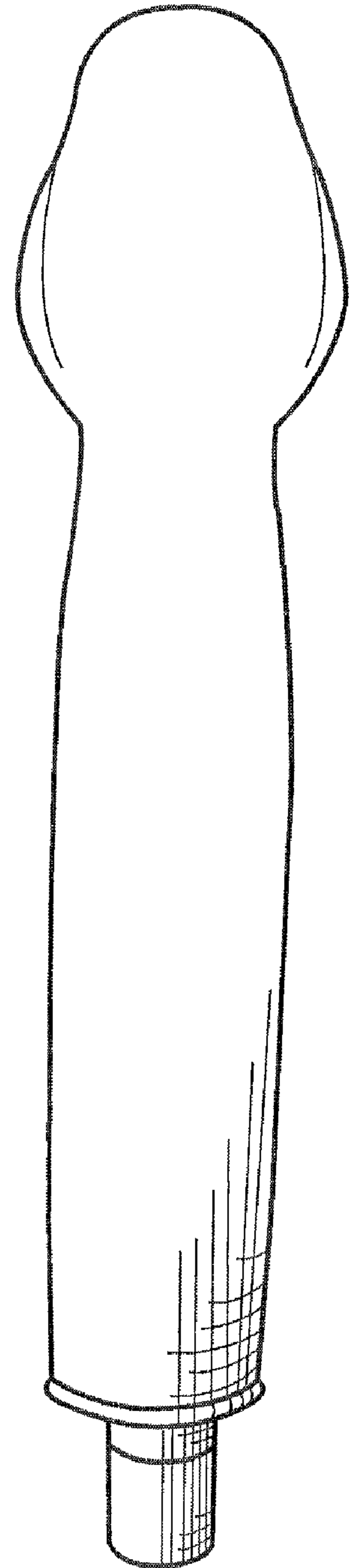


FIG. 6