



US00D615187S

(12) **United States Design Patent**
Bowden

(10) **Patent No.:** **US D615,187 S**

(45) **Date of Patent:** **** May 4, 2010**

(54) **PATIENT AIRWAY TUBE WITH FACE SHIELD AND JAW POSITION HOLDER**

(75) Inventor: **Kevin D. J. Bowden**, Orangeville (CA)

(73) Assignee: **O-Two Medical Technologies, Inc.**
(CA)

(**) Term: **14 Years**

(21) Appl. No.: **29/338,428**

(22) Filed: **Jun. 11, 2009**

(30) **Foreign Application Priority Data**

Feb. 20, 2009 (CA) 129761

(51) **LOC (9) Cl.** **29-02**

(52) **U.S. Cl.** **D24/110; D24/110.5**

(58) **Field of Classification Search** D24/110,
D24/110.5, 110.6; 128/848, 859, 861, 206.21,
128/200.24, 200.26, 201.18, 207.14

See application file for complete search history.

(56) **References Cited**

U.S. PATENT DOCUMENTS

1,445,010	A	2/1923	Feinberg	
2,669,988	A	2/1954	Carpenter	128/136
2,882,893	A	4/1959	Godfroy	128/136
3,692,025	A	9/1972	Greenberg	128/136
4,270,529	A	6/1981	Muto	128/200.26
4,270,531	A	6/1981	Blachly et al.	128/207
4,470,413	A	9/1984	Warncke	128/201.18
D302,036	S *	7/1989	George	D24/110
5,533,523	A	7/1996	Bass, Jr. et al.	128/859
5,590,643	A	1/1997	Flam	128/200.26
5,626,128	A *	5/1997	Bradley et al.	128/200.26
5,638,811	A *	6/1997	David	128/207.14
6,536,424	B2	3/2003	Fitton	128/200.24

D479,876	S *	9/2003	Gradon et al.	D24/110.5
6,736,139	B1	5/2004	Wix	128/206.21
6,877,513	B2	4/2005	Scarberry et al.	128/848
D504,947	S *	5/2005	McAuley et al.	D24/110.5
6,890,322	B2	5/2005	Bertoch et al.	604/174
6,966,319	B2 *	11/2005	Fitton	128/848
D528,655	S *	9/2006	Clawson	D24/110.5
7,174,895	B2	2/2007	Thornton et al.	128/848
D538,926	S *	3/2007	Jeong et al.	D24/110
D594,969	S *	6/2009	Marquis et al.	D24/110.5
2002/0189613	A1 *	12/2002	Fitton	128/200.24
2004/0211430	A1 *	10/2004	Pivovarov	128/848
2005/0236003	A1	10/2005	Meader	128/848

* cited by examiner

Primary Examiner—Ian Simmons

Assistant Examiner—Christopher Lee

(74) *Attorney, Agent, or Firm*—Kusner & Jaffe

(57) **CLAIM**

The ornamental design for a patient airway tube with face shield and jaw position holder, as shown and described.

DESCRIPTION

FIG. 1 is a right-front isometric view of a patient airway tube with face shield and jaw position holder showing my new design;

FIG. 2 is a left-rear isometric view thereof;

FIG. 3 is a front view thereof;

FIG. 4 is a rear view thereof;

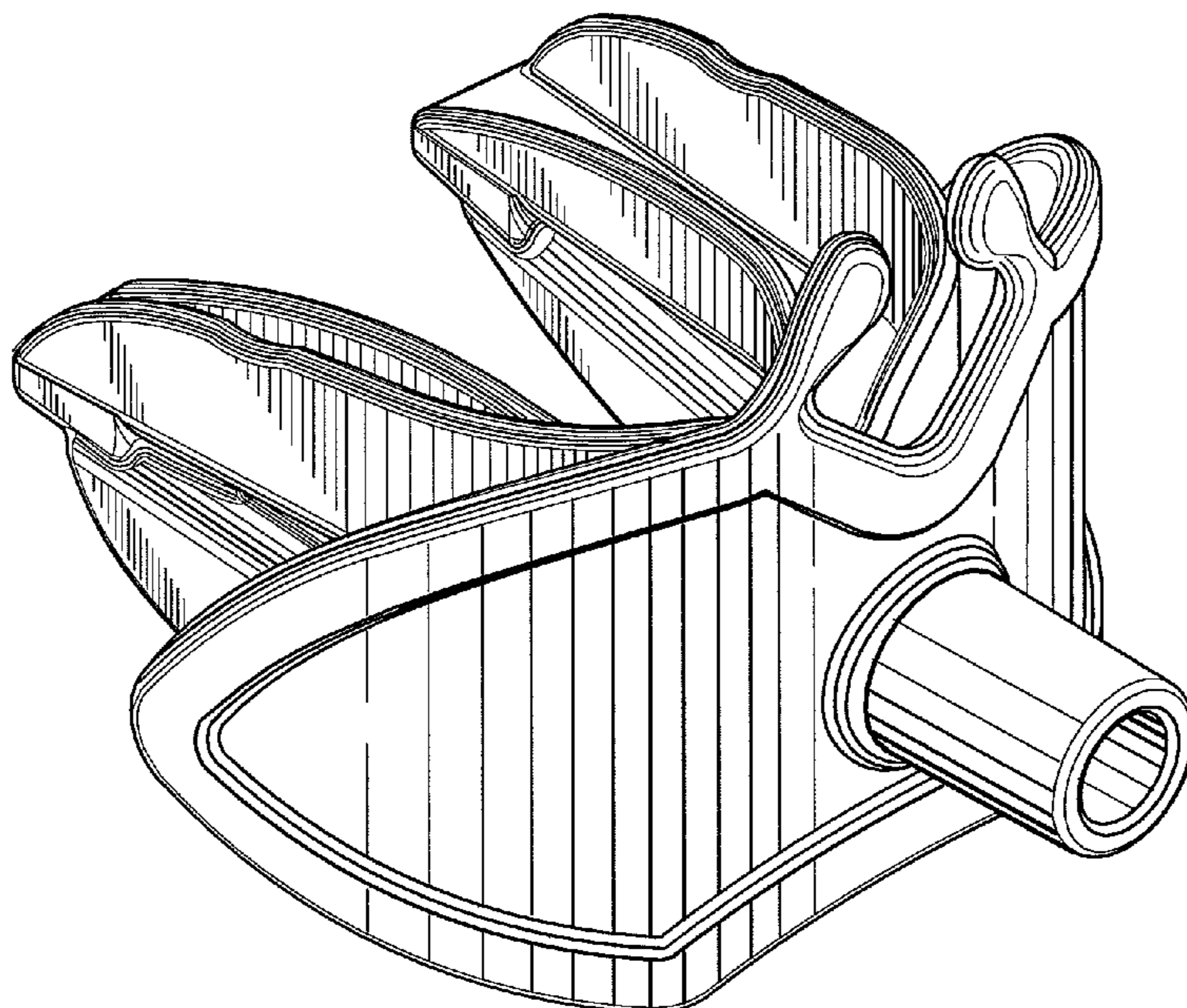
FIG. 5 is a top view thereof;

FIG. 6 is a bottom view thereof;

FIG. 7 is a left side view thereof; and,

FIG. 8 is a right side view thereof.

1 Claim, 8 Drawing Sheets



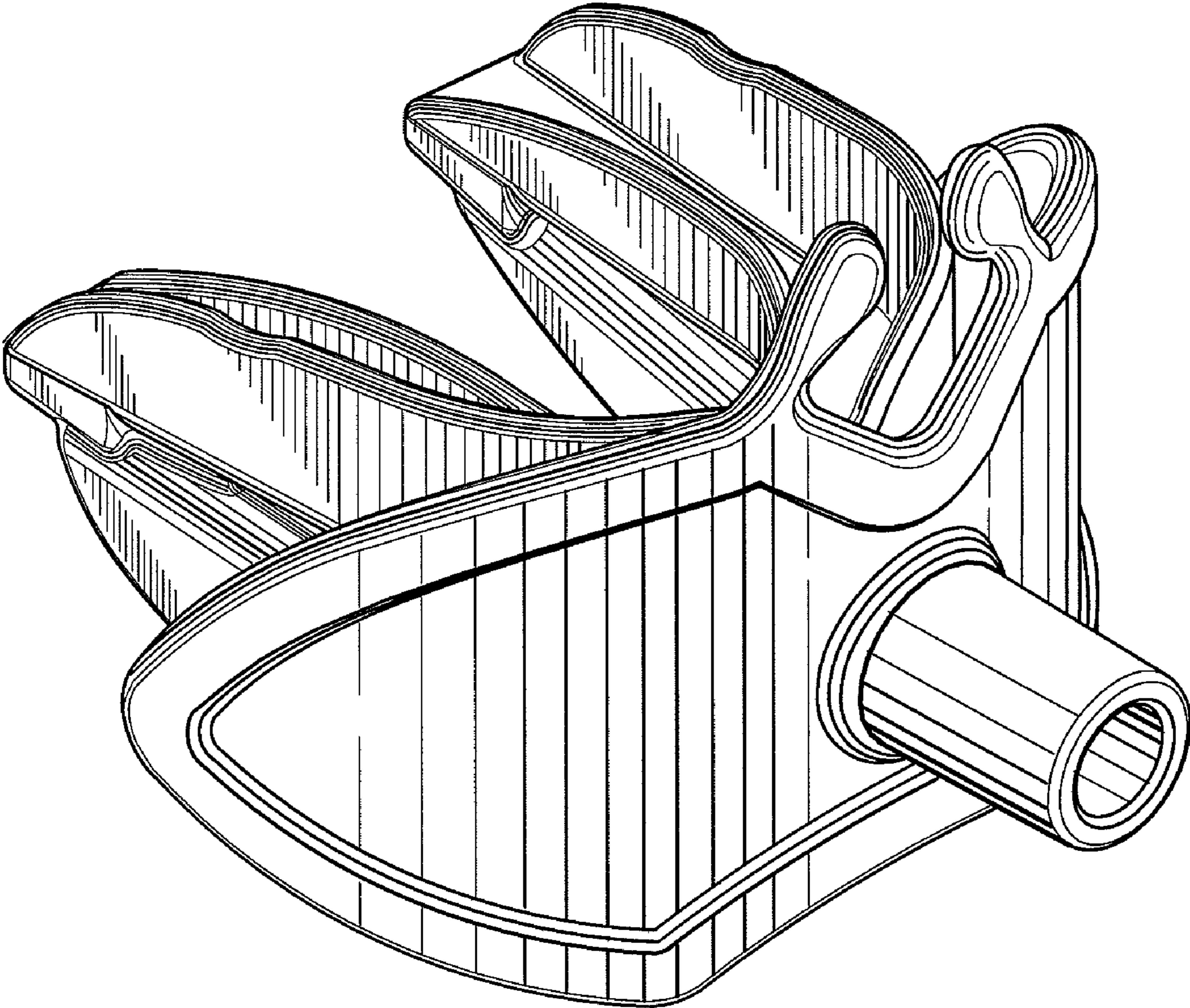


FIG. 1

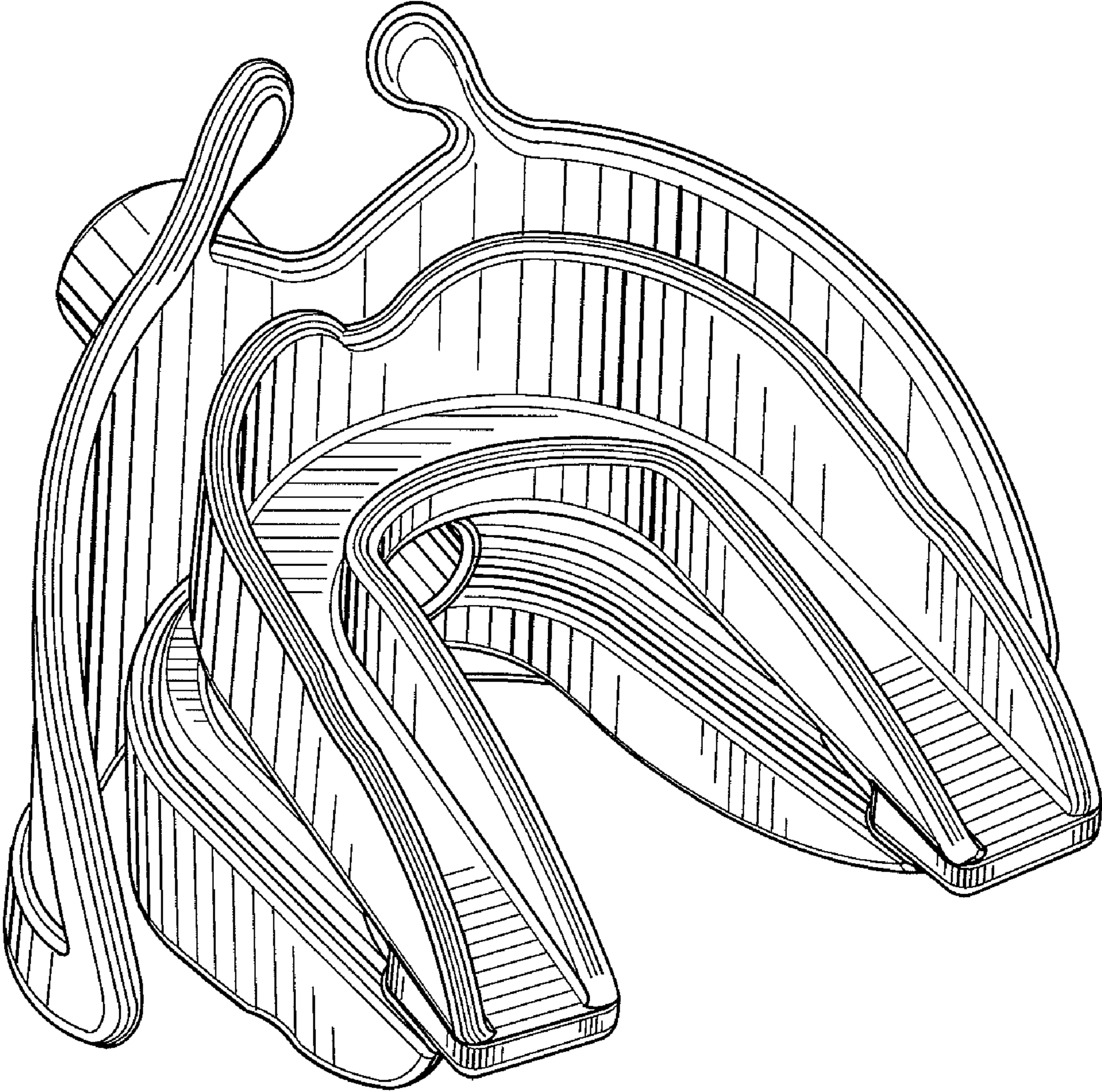


FIG.2

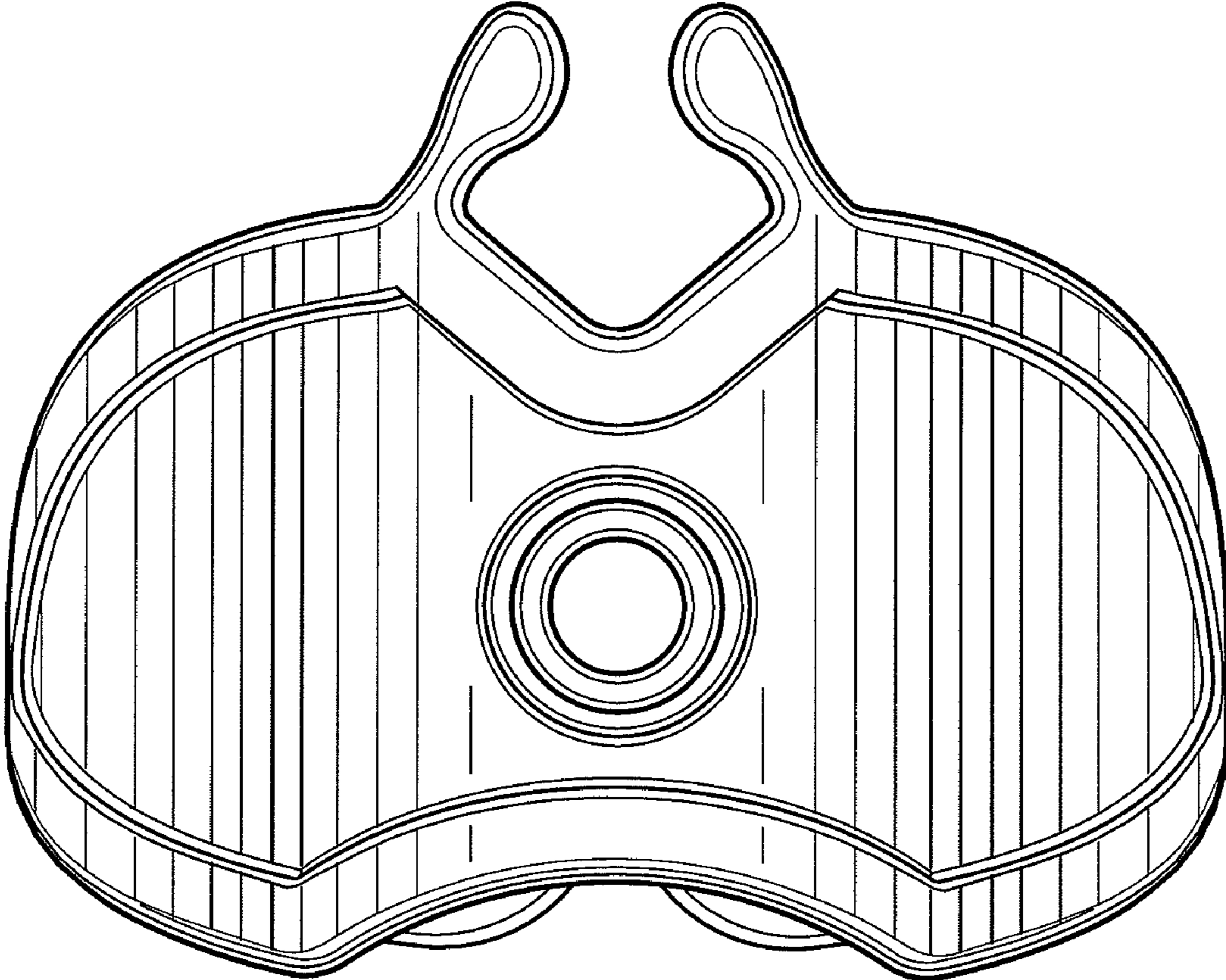


FIG.3

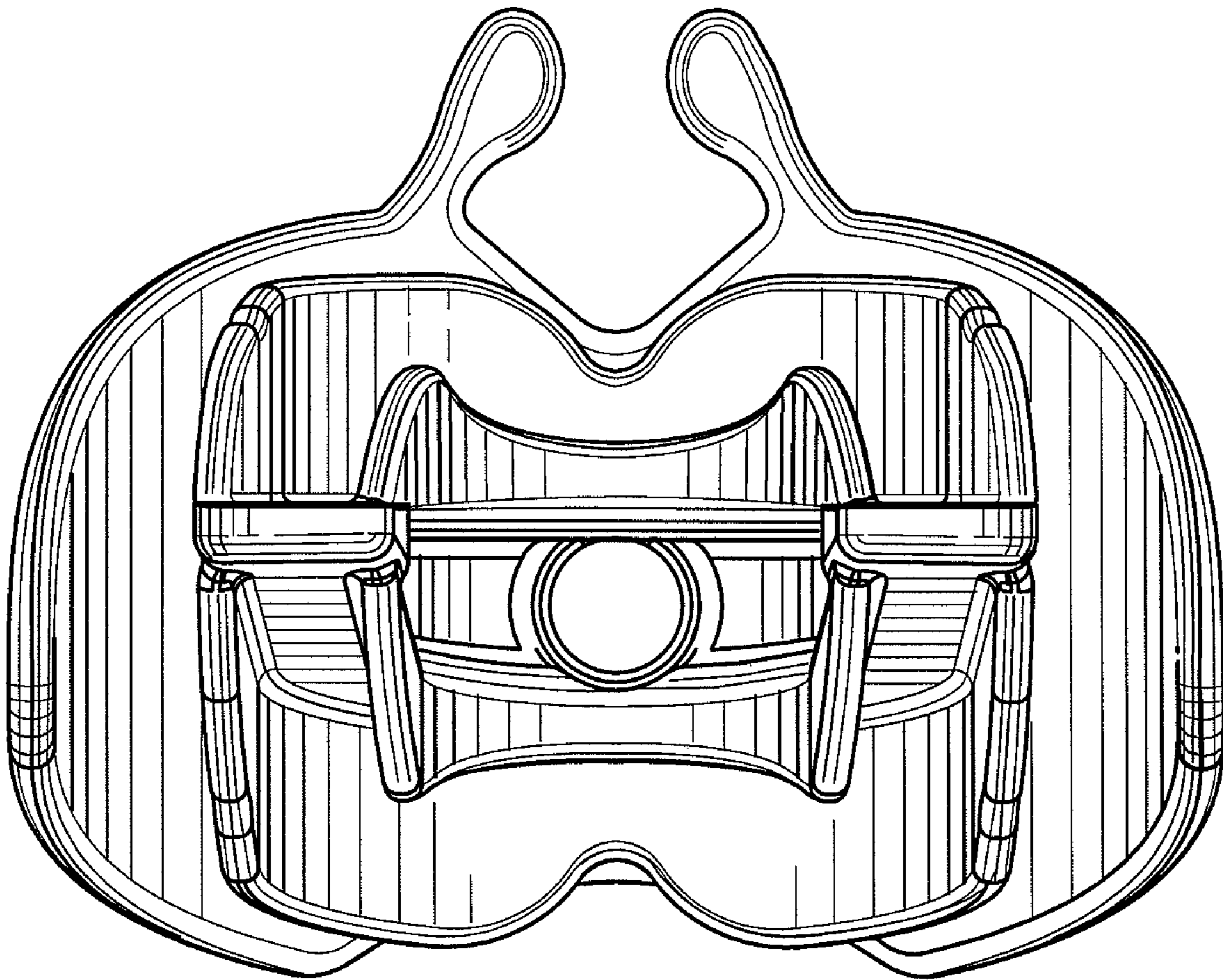


FIG.4

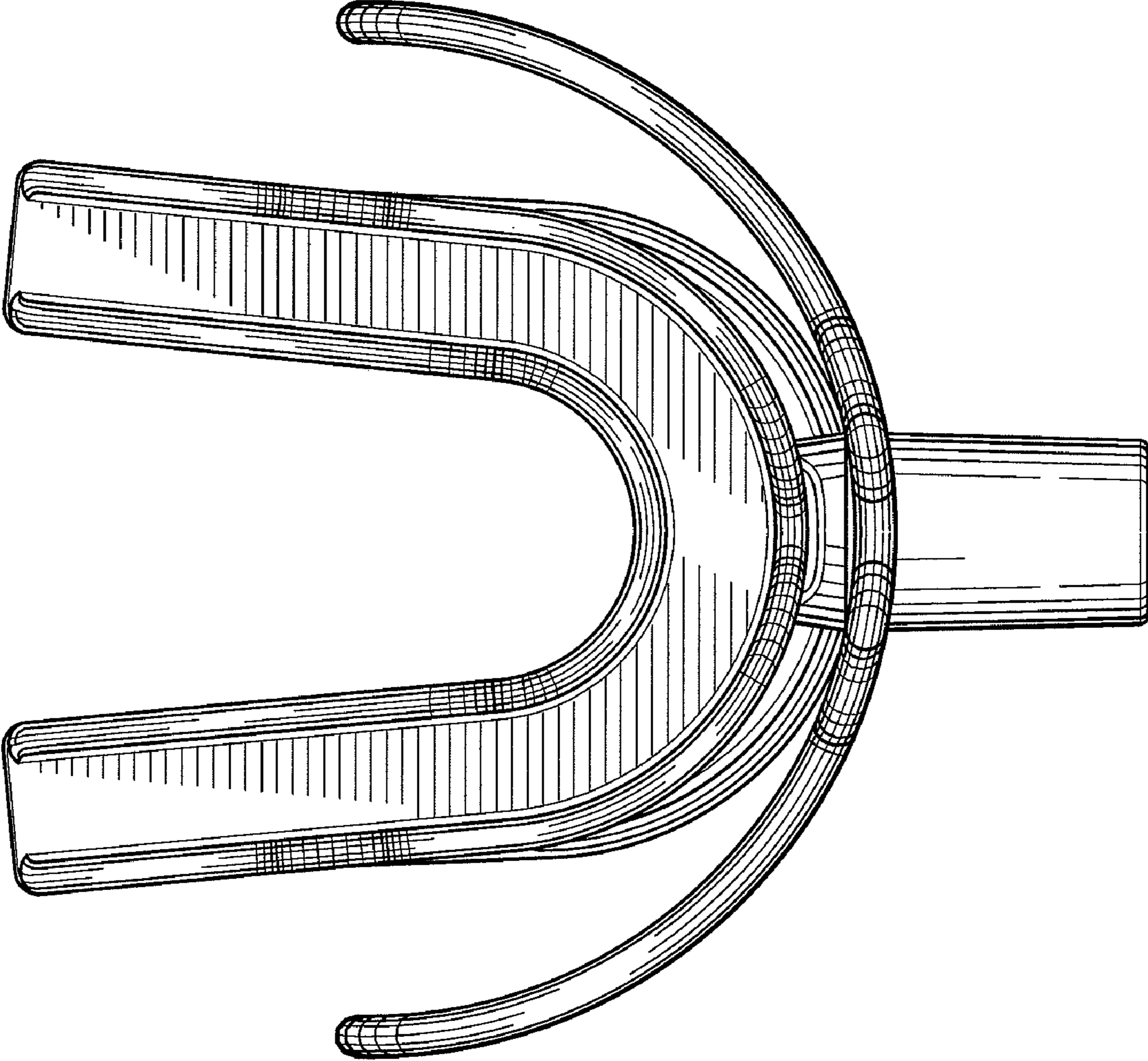


FIG.5

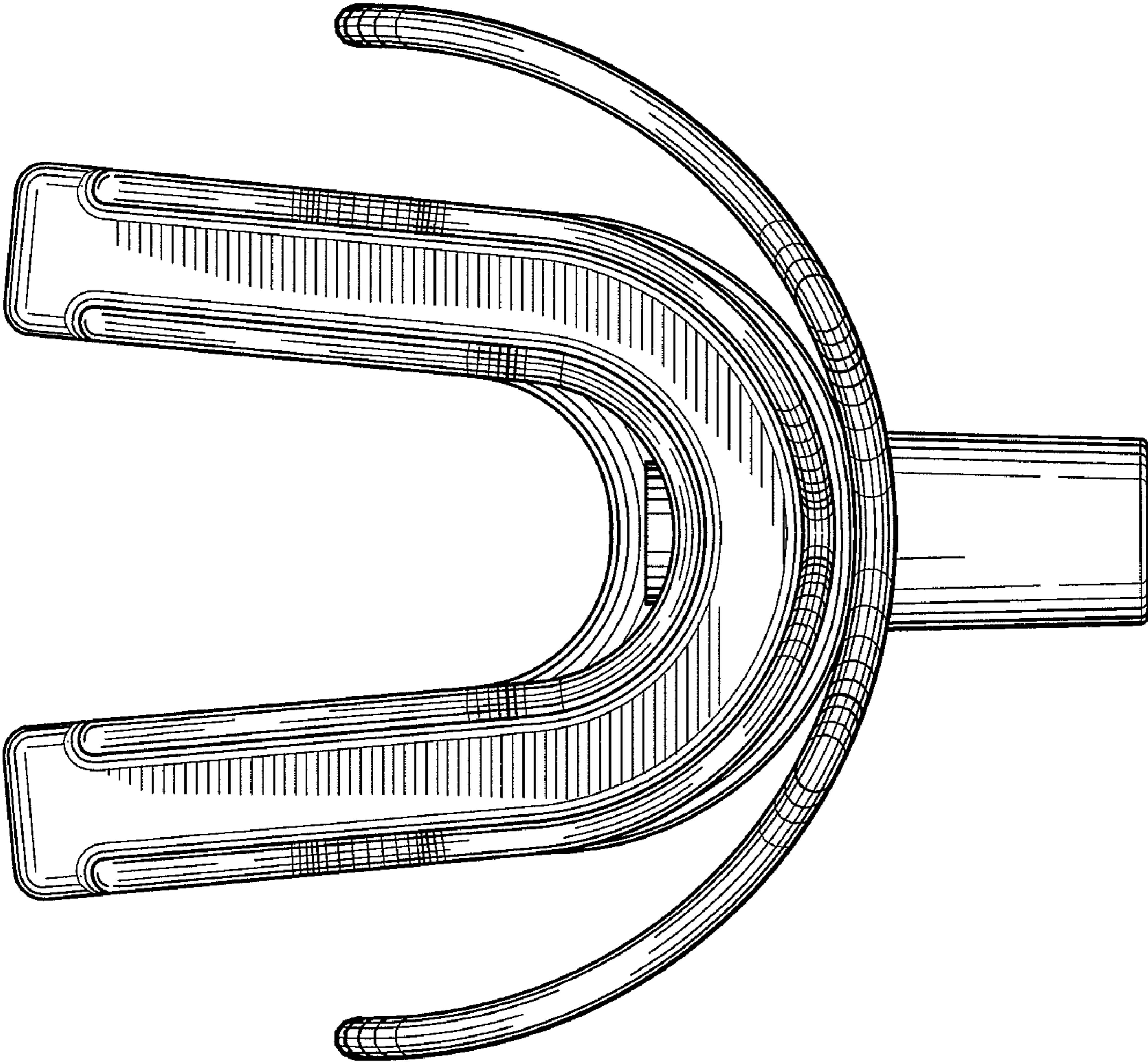


FIG.6

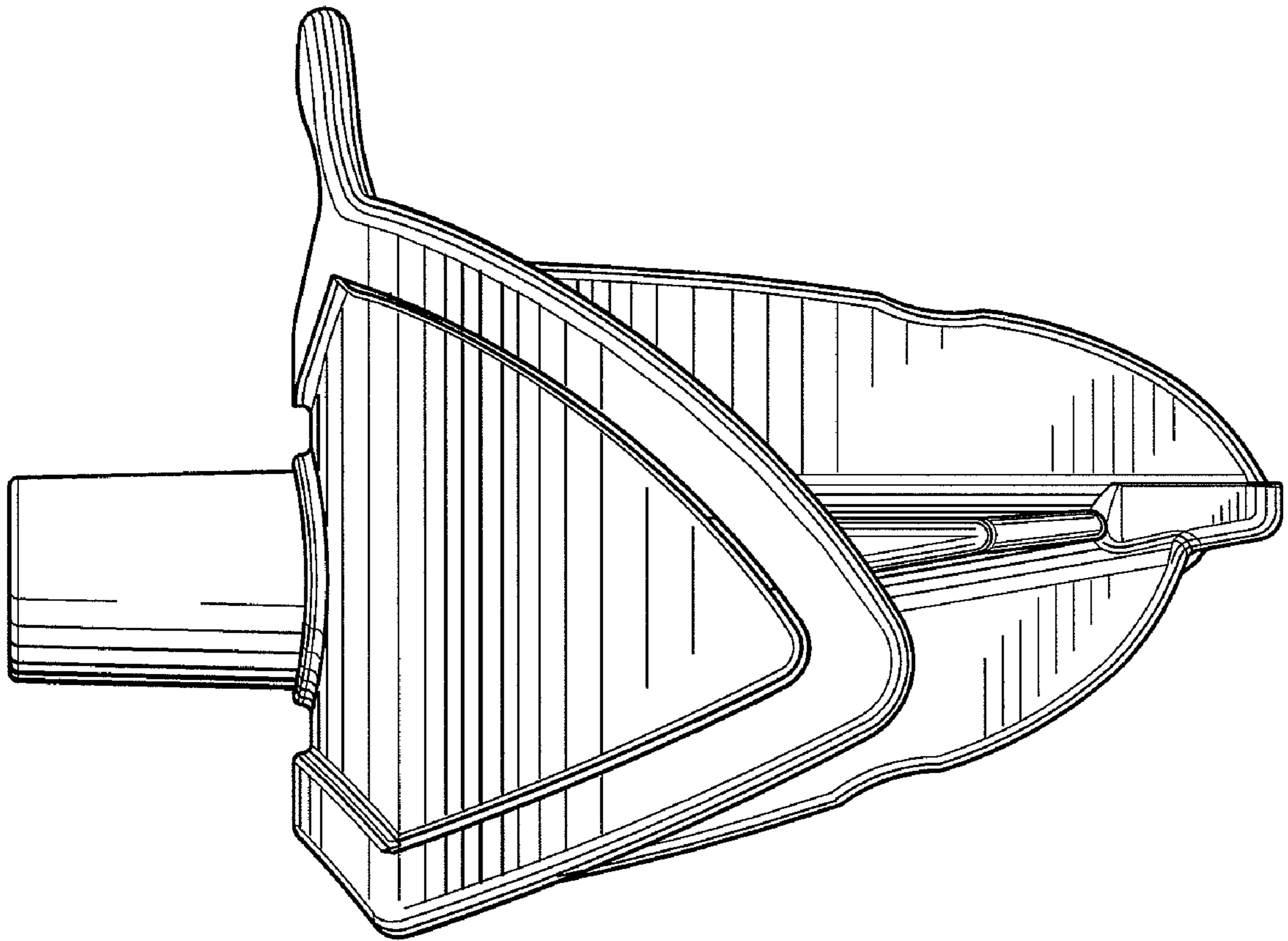


FIG.7

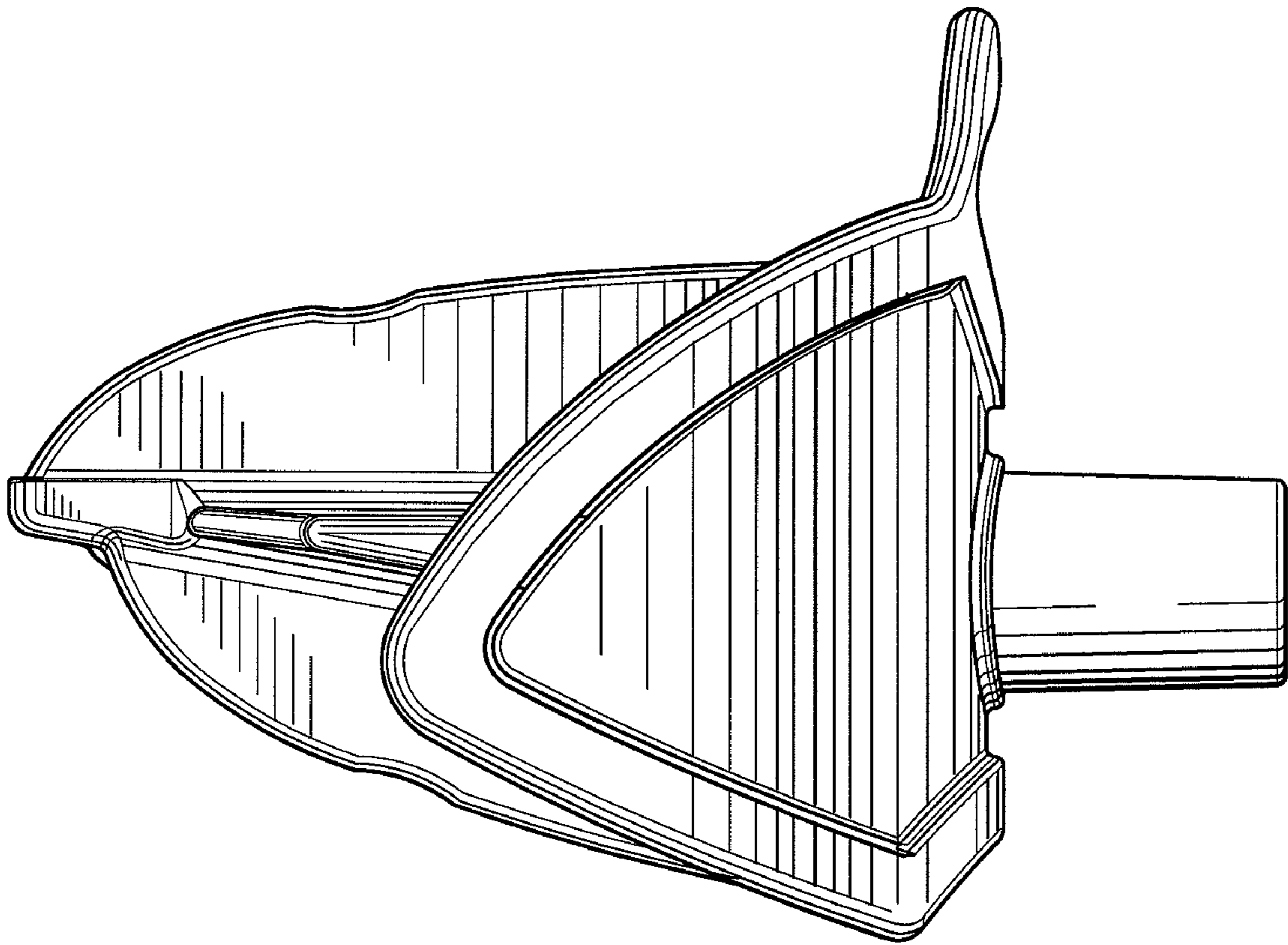


FIG.8