



US00D615186S

(12) **United States Design Patent**
Ross et al.

(10) **Patent No.:** **US D615,186 S**
(45) **Date of Patent:** **** May 4, 2010**

(54) **CHEMICAL REACTION ACTIVATION
PLUNGER**

(75) Inventors: **Julian T. Ross**, McKinney, TX (US);
Steven O. Dunford, Lewisville, TX
(US); **Scott Freeman**, Allen, TX (US);
Steven Johnson, Menomonie, WI (US);
Tomas Cervenka, Menomonie, WI
(US); **Martin Wieting**, Menomonie, WI
(US)

(73) Assignee: **Oxysure Systems, Inc.**, Frisco, TX (US)

(**) Term: **14 Years**

(21) Appl. No.: **29/320,358**

(22) Filed: **Jun. 25, 2008**

(51) **LOC (9) Cl.** **24-02**

(52) **U.S. Cl.** **D24/107**

(58) **Field of Classification Search** D24/107,
D24/108, 133, 137, 138; 604/218, 892.1;
600/300

See application file for complete search history.

(56) **References Cited**

U.S. PATENT DOCUMENTS

3,733,008 A * 5/1973 Churchill et al. 222/6

5,902,276 A * 5/1999 Namey, Jr. 604/218

* cited by examiner

Primary Examiner—Lisa P Lichtenstein

(57) **CLAIM**

The ornamental design for a chemical reaction activation plunger, as shown and described.

DESCRIPTION

FIG. 1 is a perspective view of a chemical reaction activation plunger, taken from above and right;

FIG. 2 is a perspective view thereof, taken from below and left;

FIG. 3 is a front view thereof,

FIG. 4 is a back view thereof,

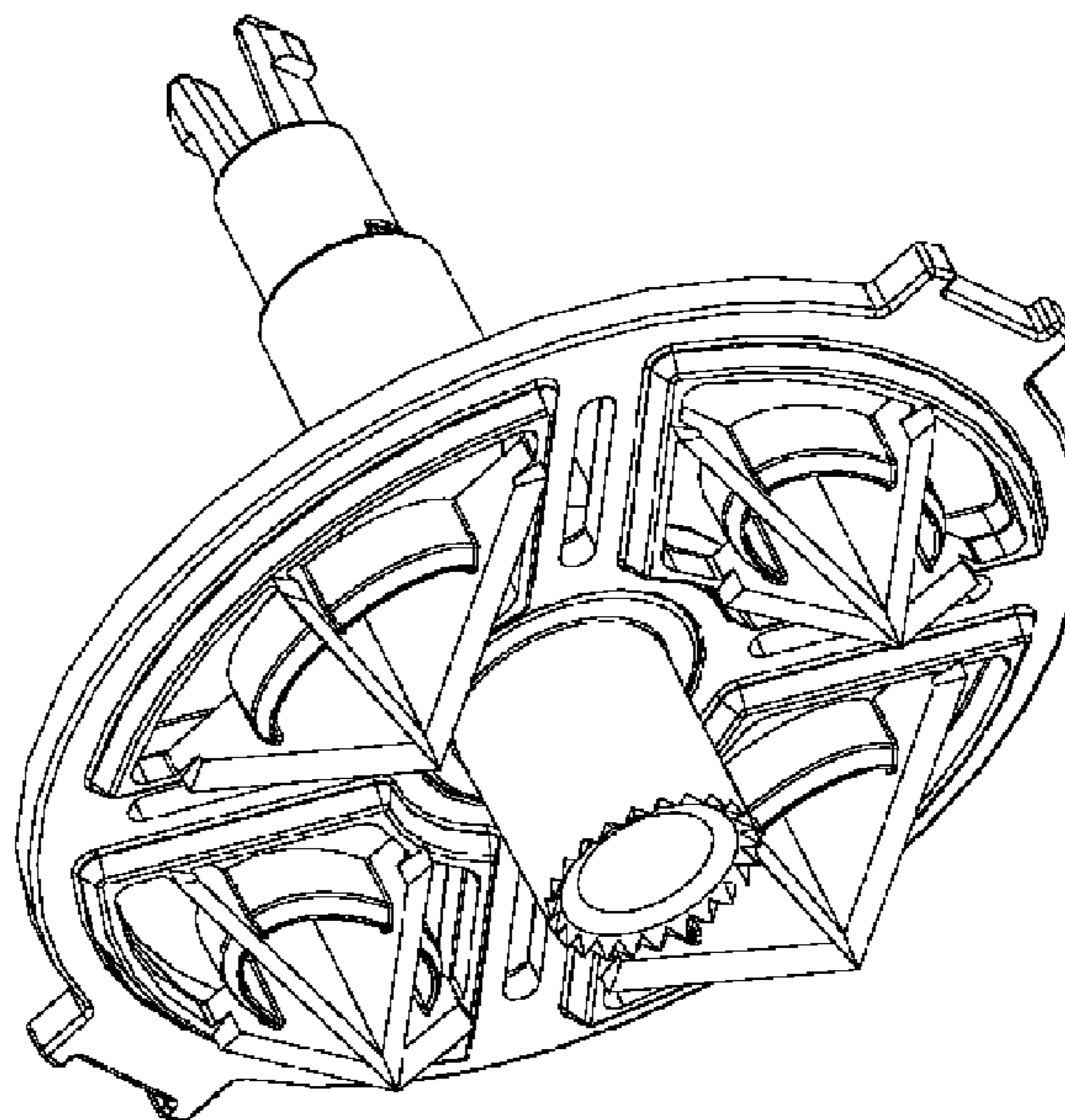
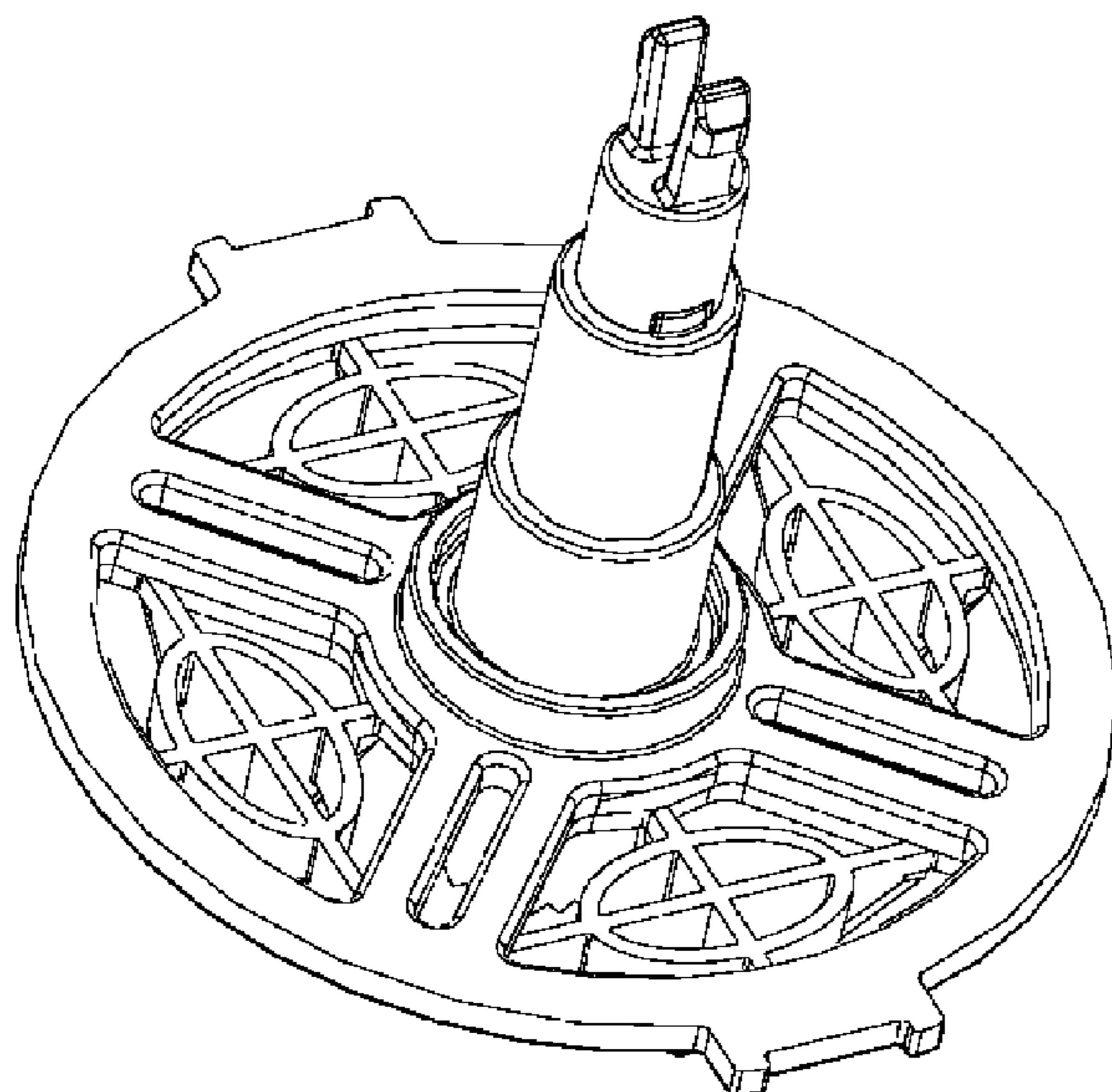
FIG. 5 is a top view thereof,

FIG. 6 is a bottom view thereof,

FIG. 7 is a right view thereof; and,

FIG. 8 is a left view thereof.

1 Claim, 4 Drawing Sheets



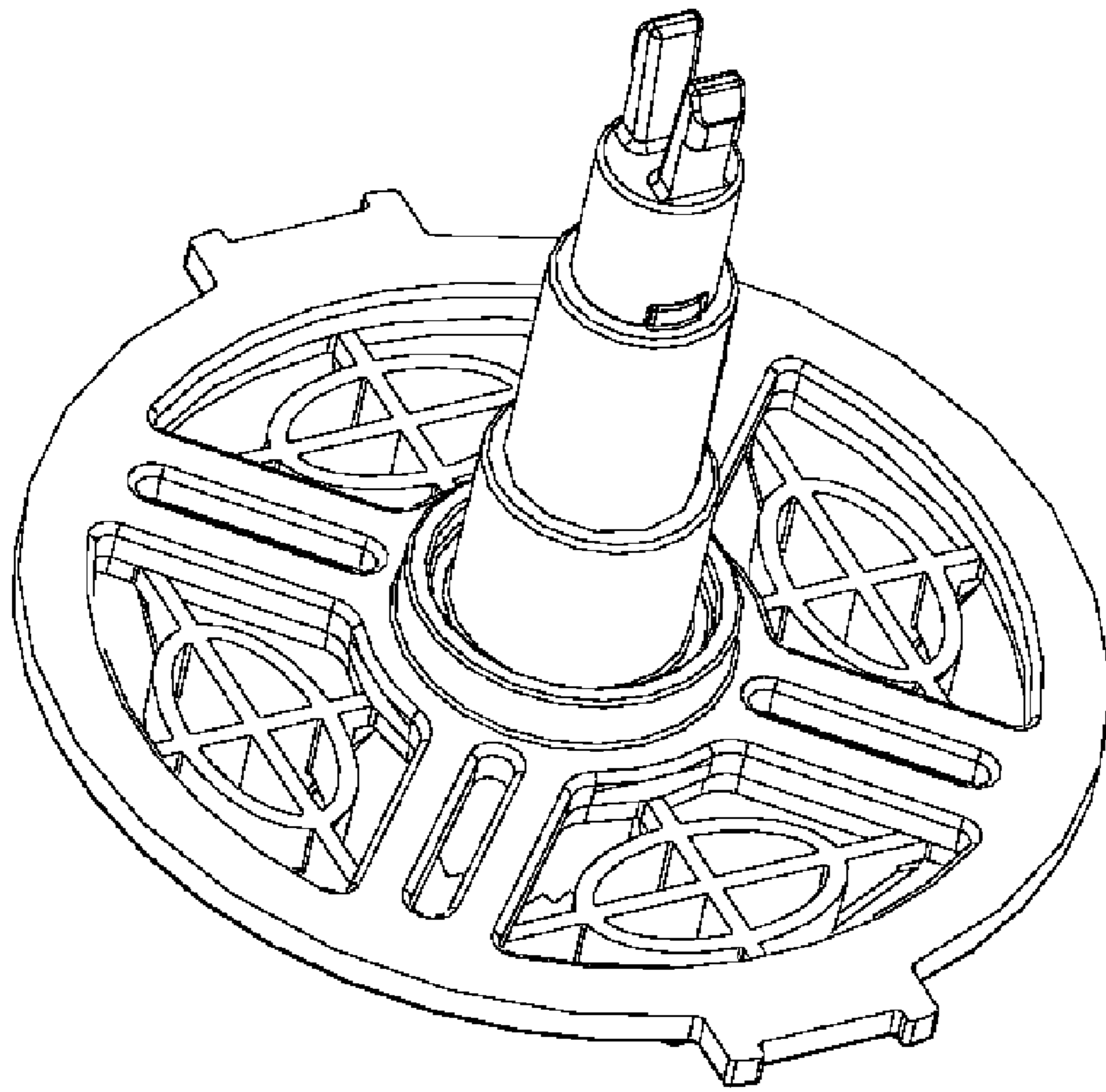


Fig. 1

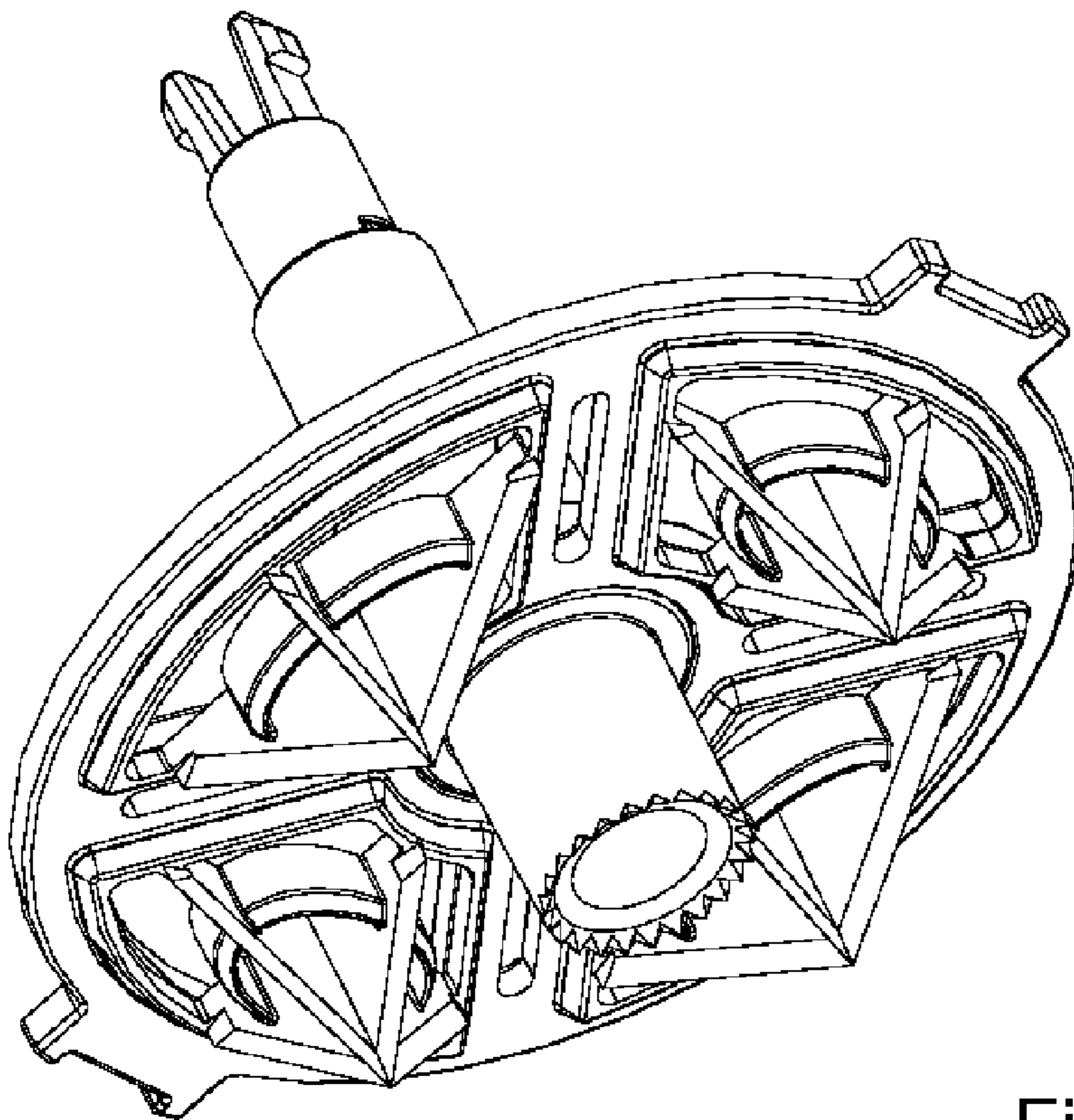


Fig. 2

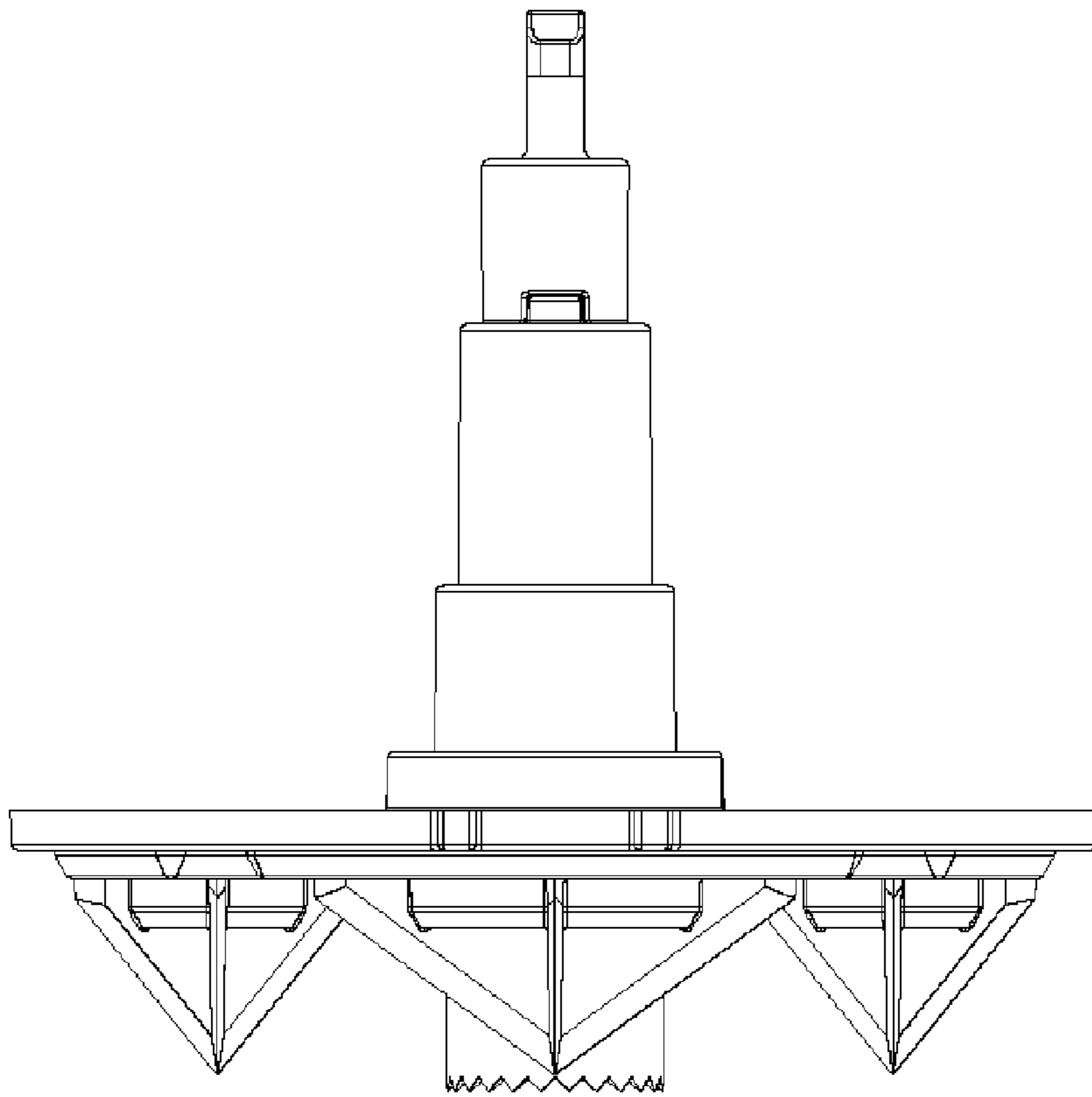


Fig. 3

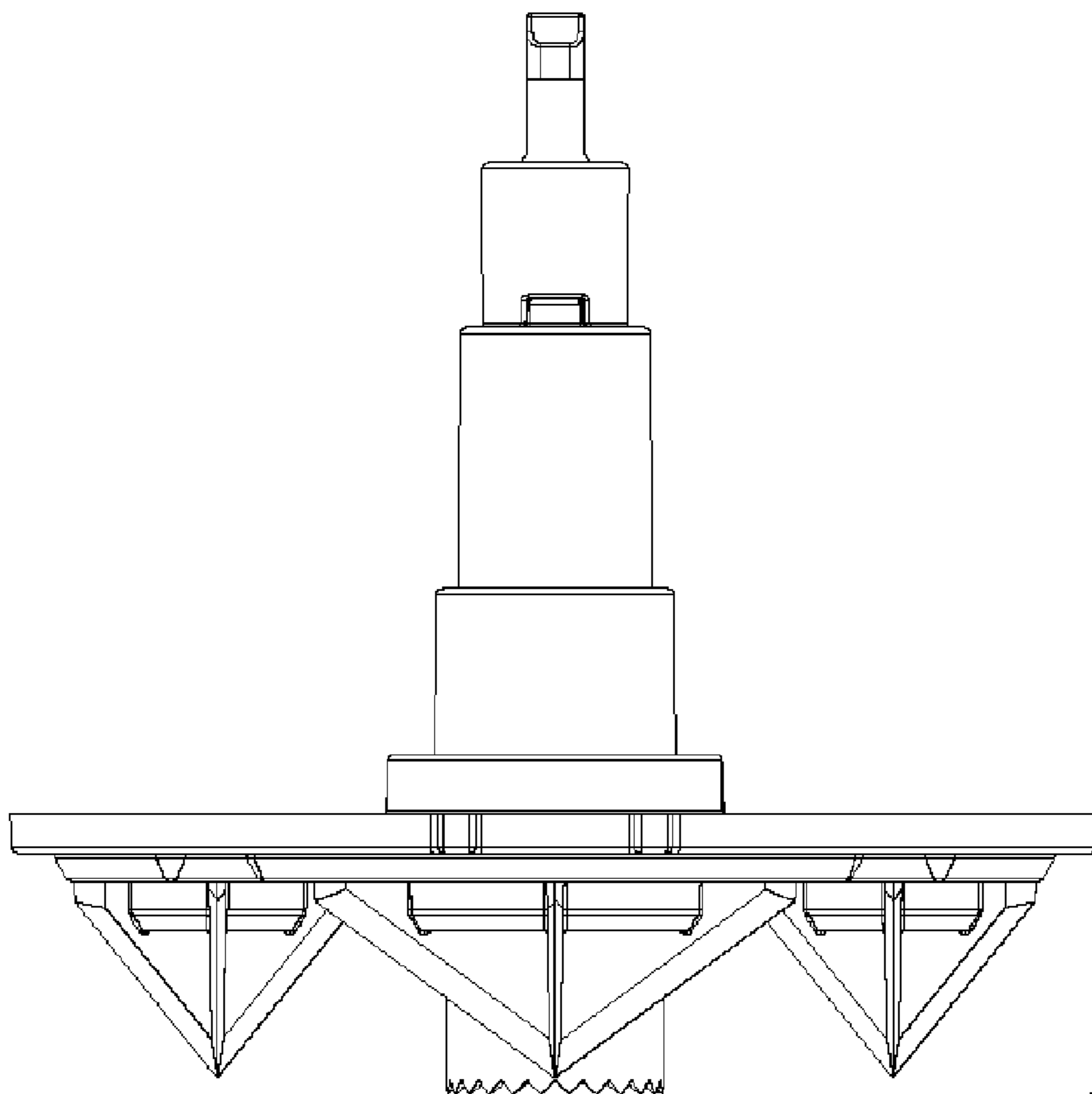


Fig. 4

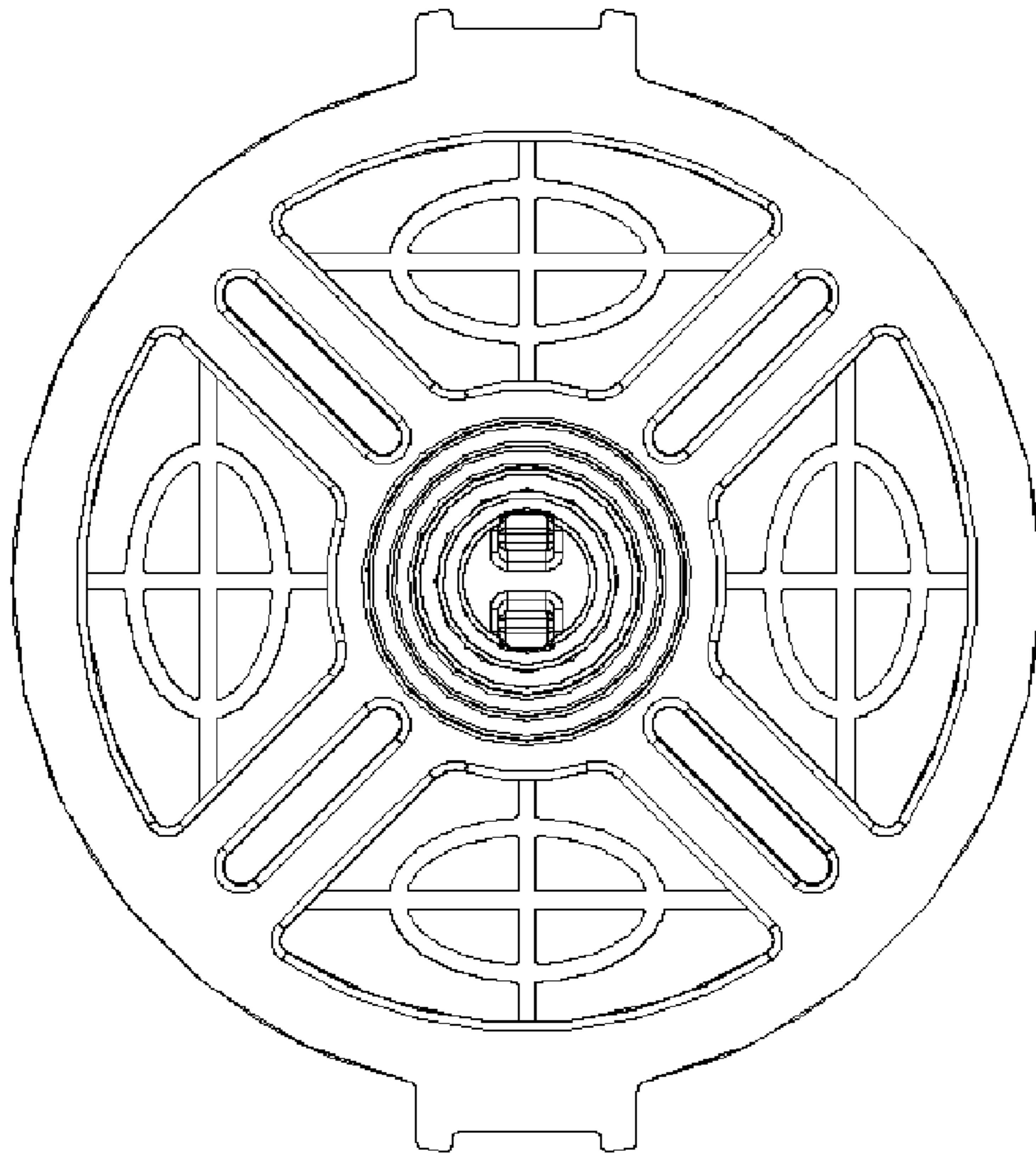


Fig. 5

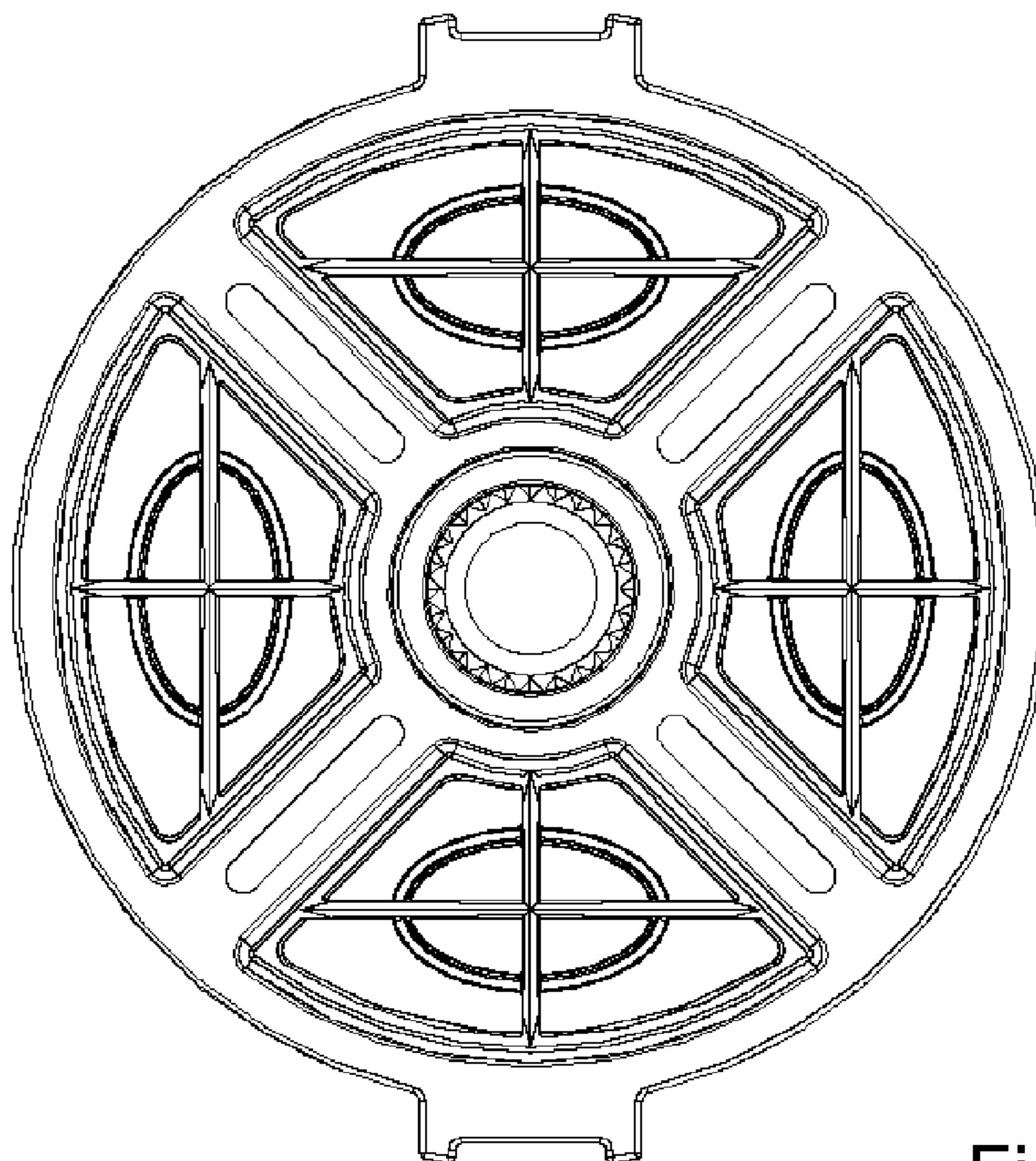


Fig. 6

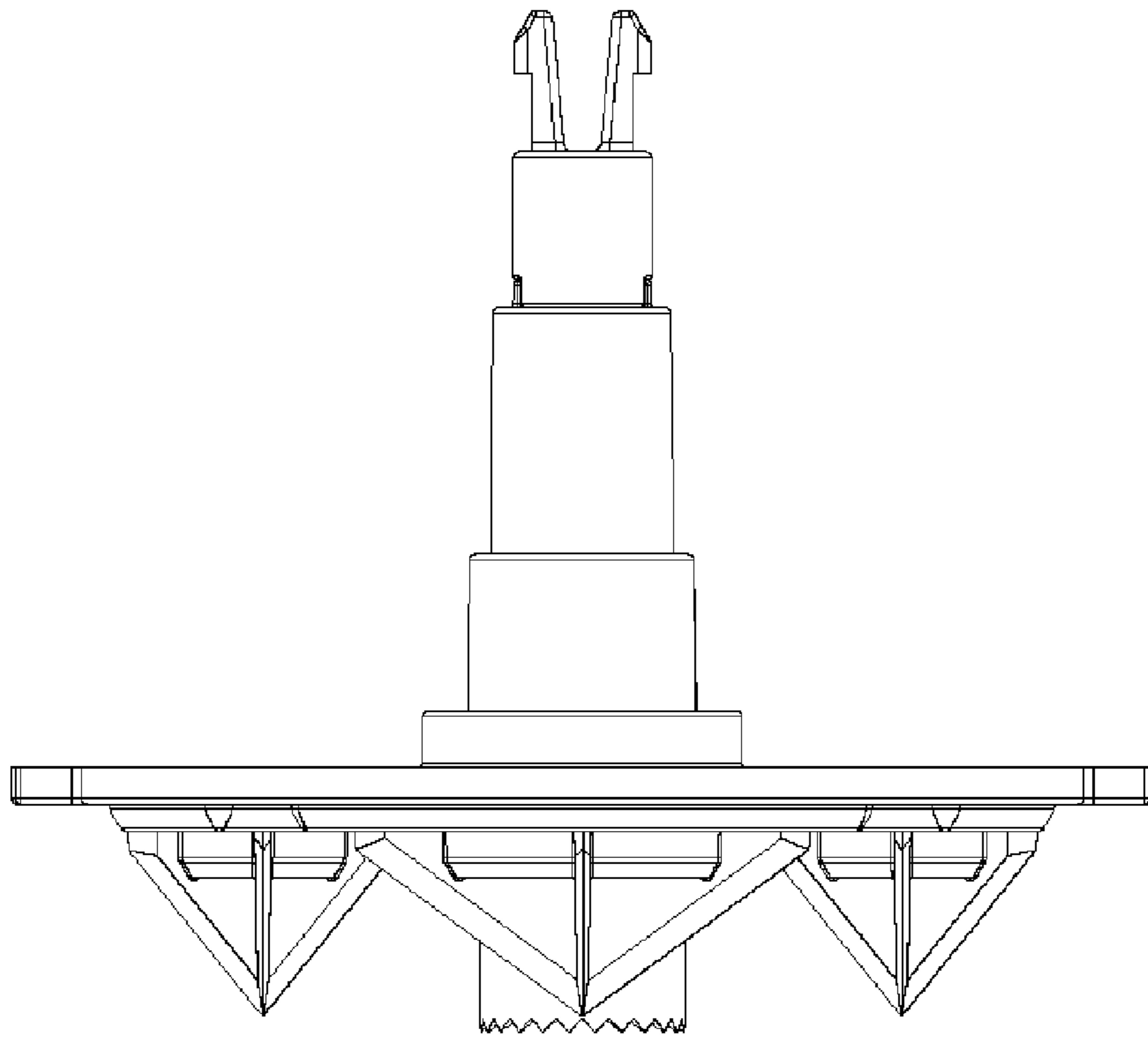


Fig. 7

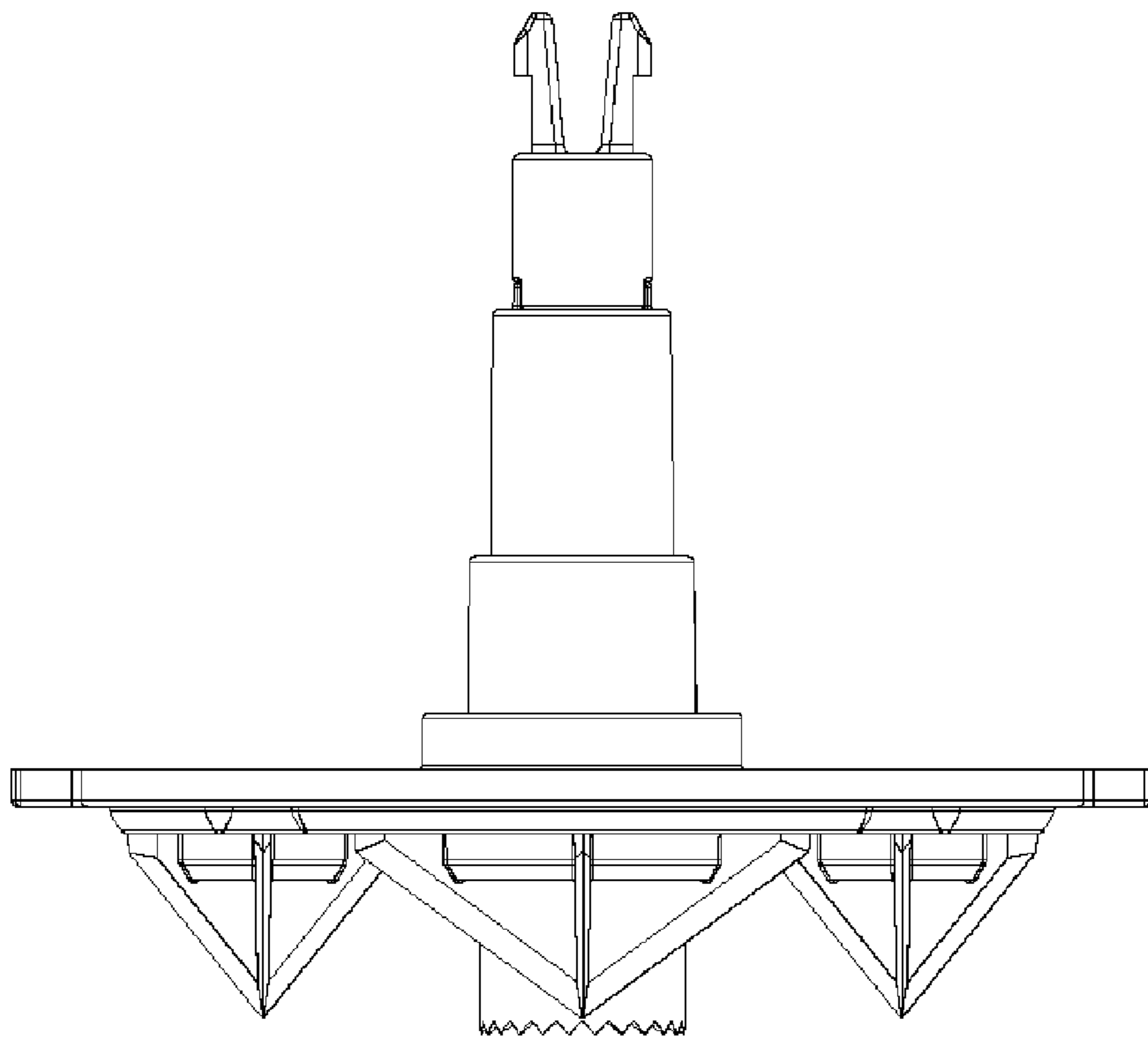


Fig. 8