



US00D615177S

(12) **United States Design Patent**
Reeder

(10) **Patent No.:** **US D615,177 S**

(45) **Date of Patent:** **** May 4, 2010**

(54) **WATER HEATER CONTAINMENT TANK**

D547,847 S * 7/2007 Smal D23/330

(76) Inventor: **Robert J. Reeder**, 7312 Cass Holt Rd.,
Holly Springs, NC (US) 27640

* cited by examiner

(**) Term: **14 Years**

Primary Examiner—T. Chase Nelson
Assistant Examiner—Ania K Dworzecka
(74) *Attorney, Agent, or Firm*—Paul R. Martin

(21) Appl. No.: **29/313,939**

(22) Filed: **Feb. 23, 2009**

(57) **CLAIM**

(51) **LOC (9) Cl.** **23-03**

The ornamental design for a water heater containment tank,
as shown and described.

(52) **U.S. Cl.** **D23/318**

(58) **Field of Classification Search** D23/318,
D23/322, 319, 320, 321, 334; 126/361, 35 R;
122/13.2, 14, 15, 19.2; 392/449, 451, 454
See application file for complete search history.

DESCRIPTION

(56) **References Cited**

U.S. PATENT DOCUMENTS

2,780,216	A *	2/1957	Beaudoin	126/93
D252,526	S *	7/1979	DeNyse	D23/329
D301,733	S *	6/1989	Mansfield	D23/318
D315,597	S *	3/1991	Botheras et al.	D23/332
D318,106	S *	7/1991	Arold et al.	D23/314
5,029,605	A *	7/1991	Dowling et al.	137/312
D342,125	S *	12/1993	Miller	D23/323
D369,402	S *	4/1996	Krishart	D23/318
D383,525	S *	9/1997	Purcell	D23/315
D386,561	S *	11/1997	Campbell	D23/330
6,637,378	B1 *	10/2003	Al-Amin	122/28

FIG. 1 is a perspective view of the water heater containment tank of the invention.

FIG. 2 is a front side elevational view of the containment tank shown in FIG. 1.

FIG. 3 is a top view of the containment tank shown in FIG. 1.

FIG. 4 is a back side elevational view of the containment tank shown in FIG. 1.

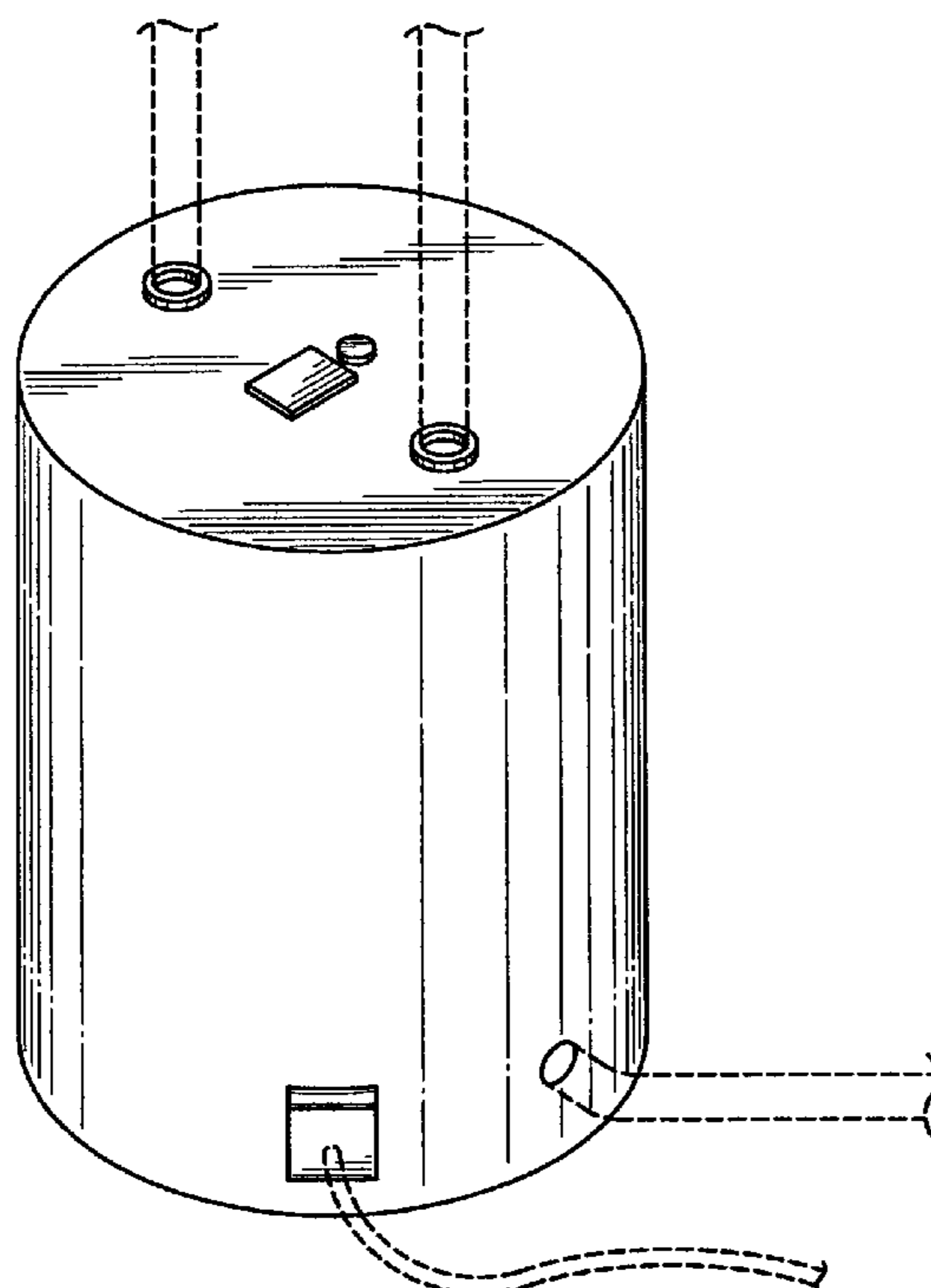
FIG. 5 is a bottom view of the containment tank shown in FIG. 1.

FIG. 6 is a side elevational view of the left side of the containment tank shown in FIG. 1; and,

FIG. 7 is a side elevational view of the right side of the containment tank shown in FIG. 1.

The elements shown in broken lines are for illustrative purposes only, and form no part of the claimed design.

1 Claim, 4 Drawing Sheets



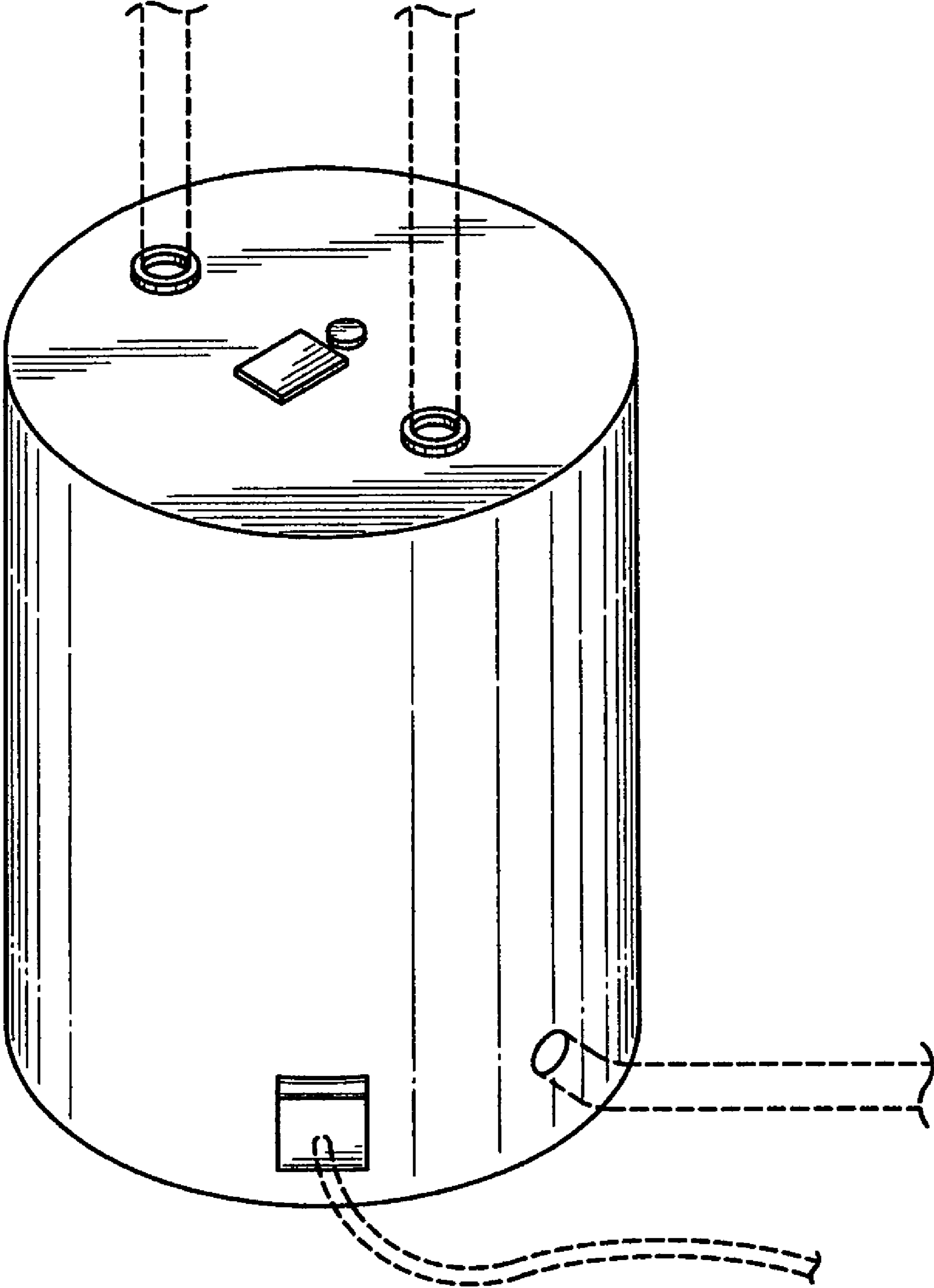


FIG. 1

FIG. 3

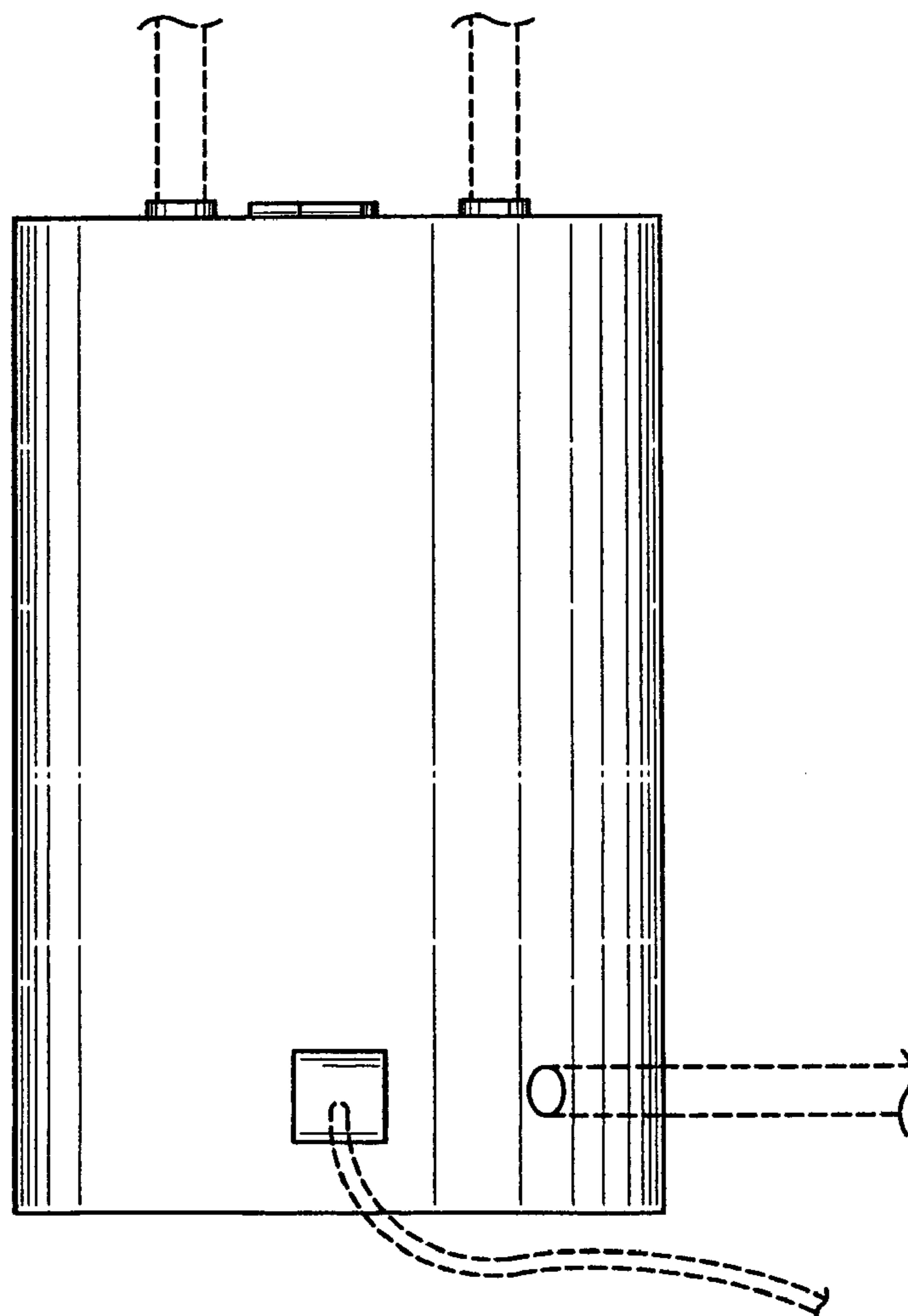
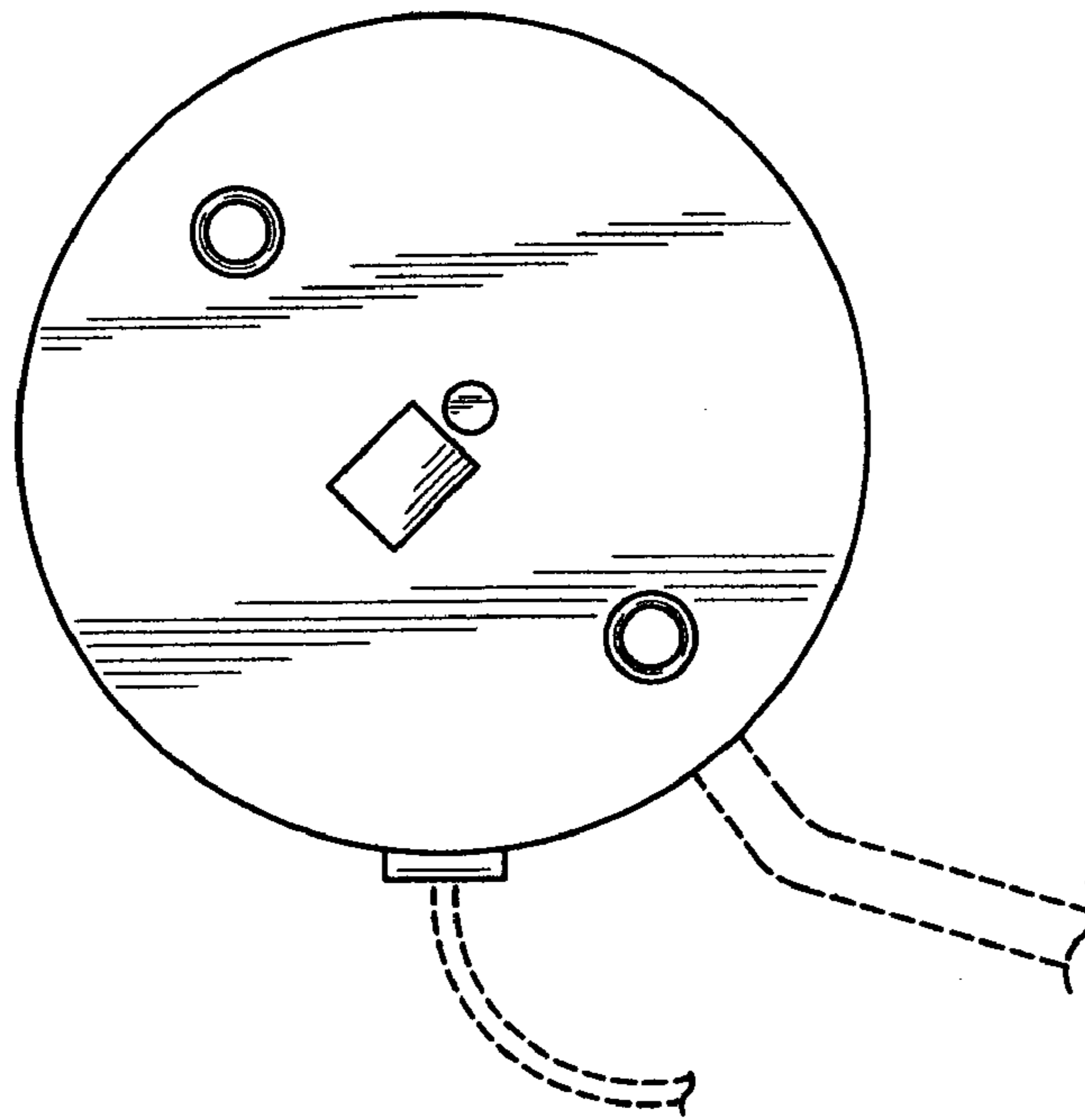


FIG. 2

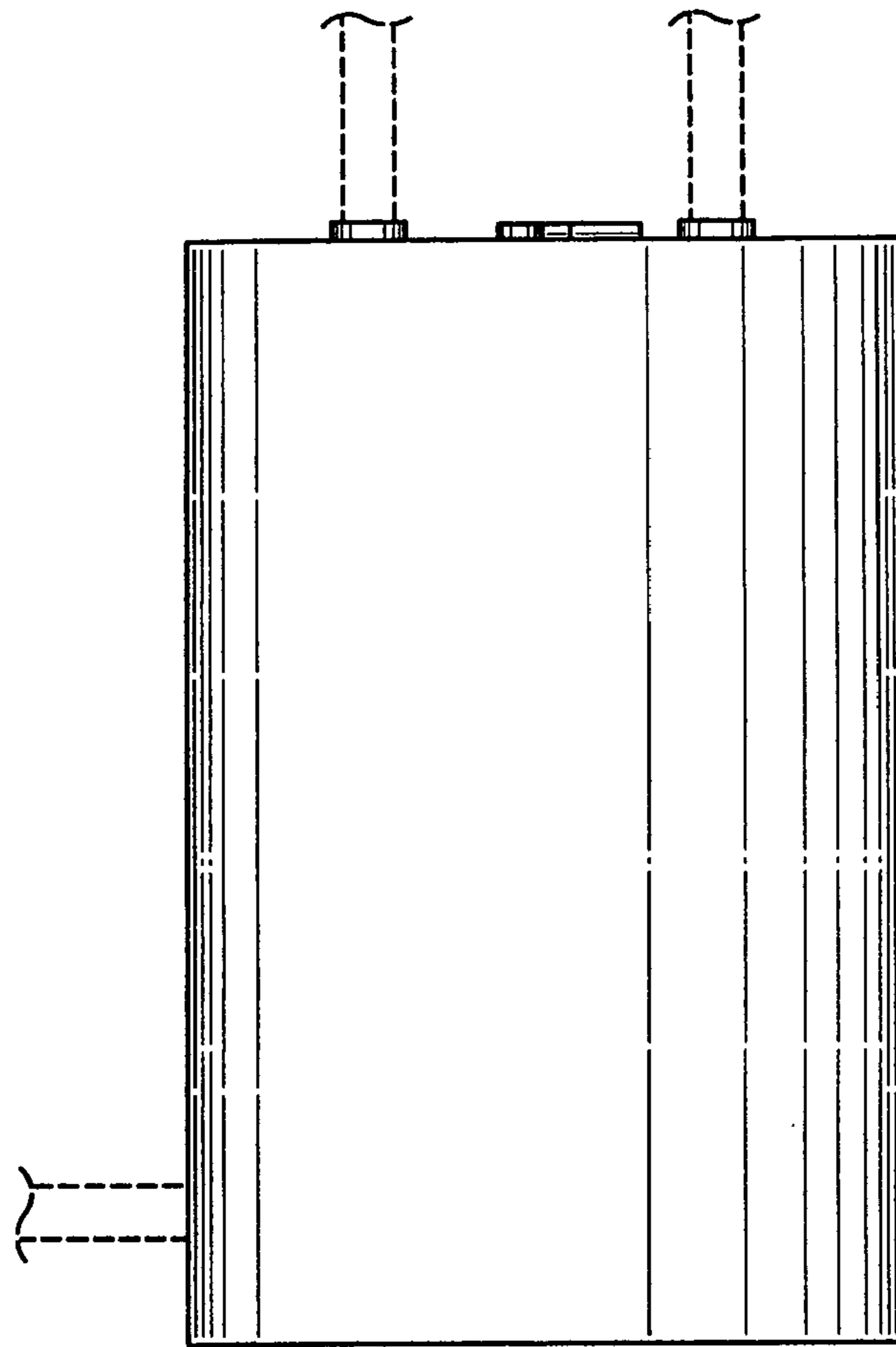


FIG. 4

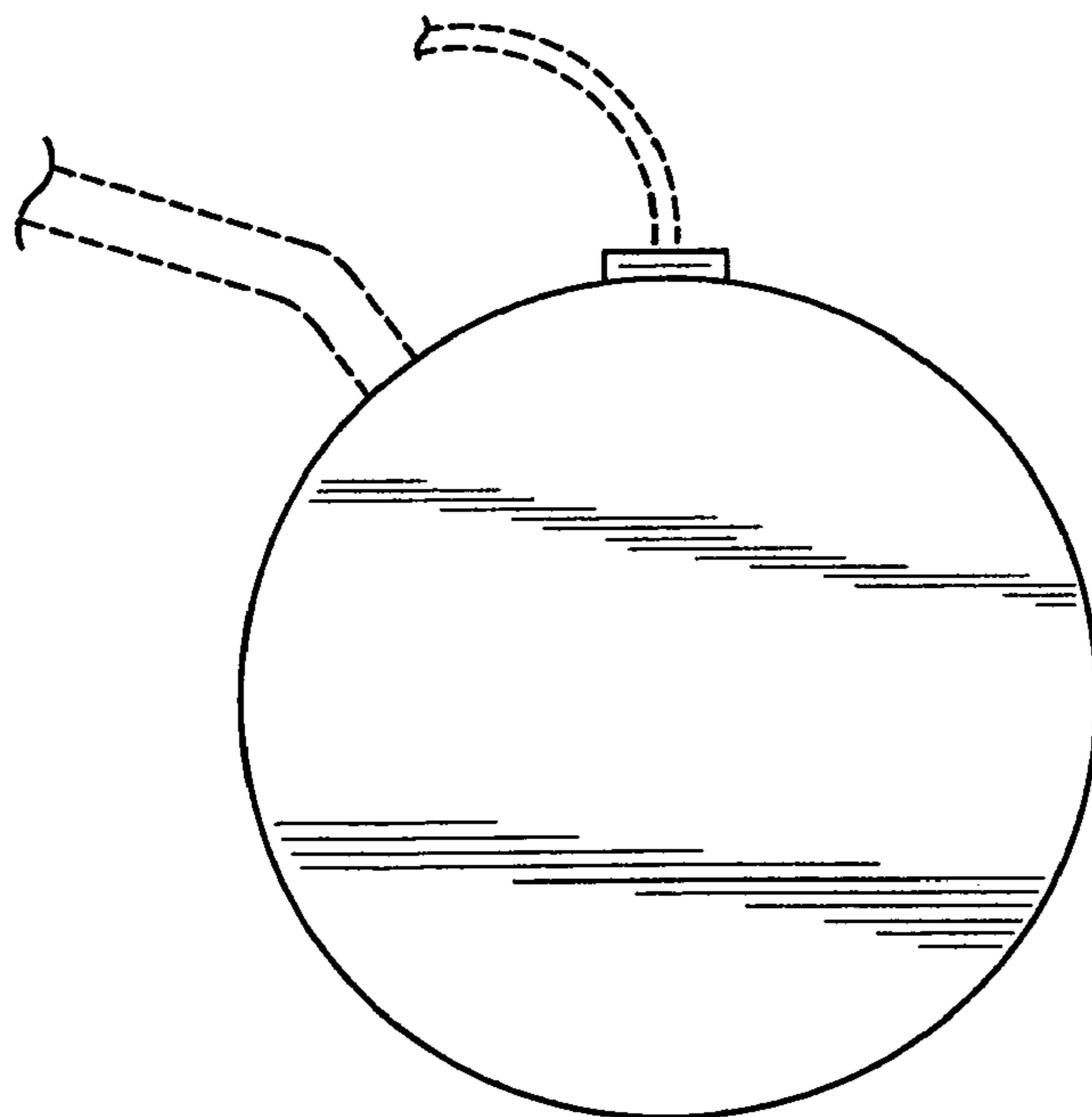


FIG. 5

