



US00D615168S

(12) **United States Design Patent**
Donnelly

(10) **Patent No.:** **US D615,168 S**

(45) **Date of Patent:** **** May 4, 2010**

(54) **BATHTUB**

(75) Inventor: **Steve Donnelly**, Quebec (CA)

(73) Assignee: **Maax Bath Inc.**, Lachine, Quebec (CA)

(**) Term: **14 Years**

(21) Appl. No.: **29/335,873**

(22) Filed: **Apr. 23, 2009**

(51) **LOC (9) Cl.** **23-02**

(52) **U.S. Cl.** **D23/277**

(58) **Field of Classification Search** D23/277,
D23/280.1–280.3, 304; 4/538; D24/204–205
See application file for complete search history.

(56) **References Cited**

U.S. PATENT DOCUMENTS

D32,858 S *	6/1900	Wells	D23/280.1
D37,257 S *	12/1904	Lloyd	D23/280.4
D278,929 S *	5/1985	Burgess et al.	D23/280.4
D444,861 S *	7/2001	Smith	D23/277

* cited by examiner

Primary Examiner—Robert A Delehanty

(74) *Attorney, Agent, or Firm*—Porzio, Bromberg & Newman, P.C.

(57) **CLAIM**

I claim, the ornamental design for a bathtub, as shown and described.

DESCRIPTION

FIG. 1 is a top plan view, showing my new design;

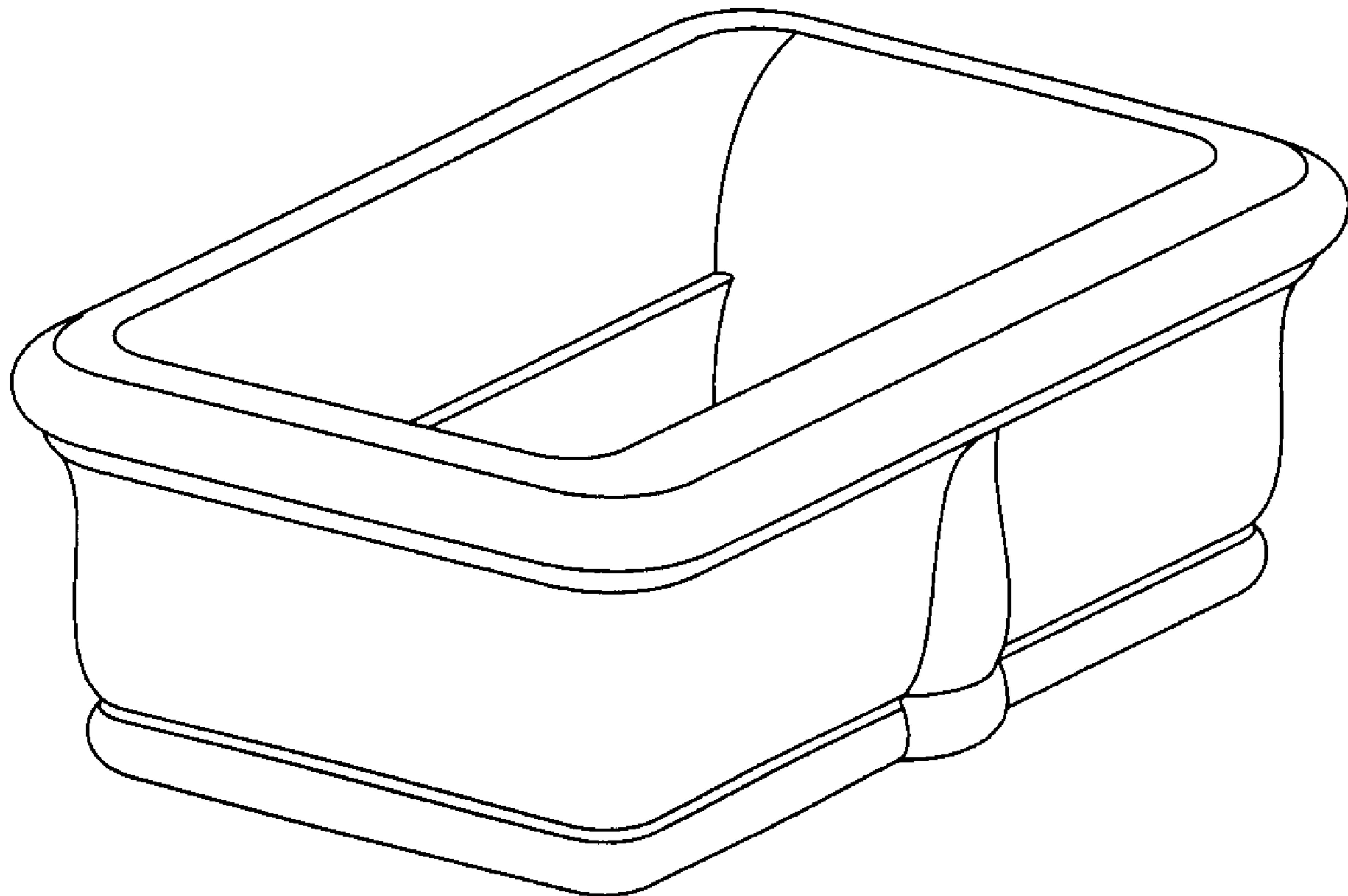
FIG. 2 is a left side elevational view of the bathtub shown in FIG. 1;

FIG. 3 is a right side elevational view of the bathtub shown in FIG. 1;

FIG. 4 is a front elevational view of the bathtub shown in FIG. 1, the rear view being a mirror image thereof; and,

FIG. 5 is a right side perspective view of the bathtub shown in FIG. 1.

1 Claim, 5 Drawing Sheets



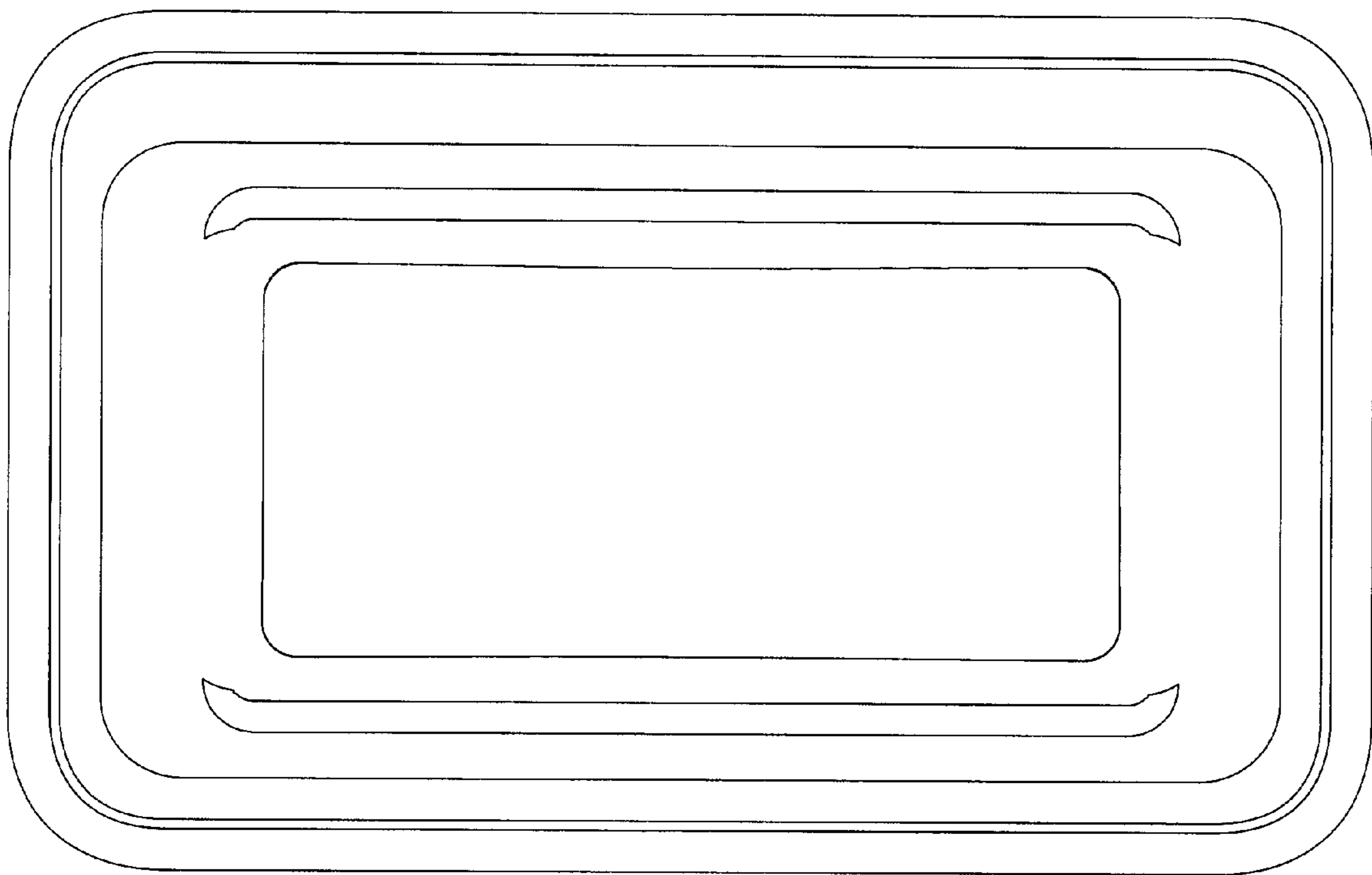


Fig.1.

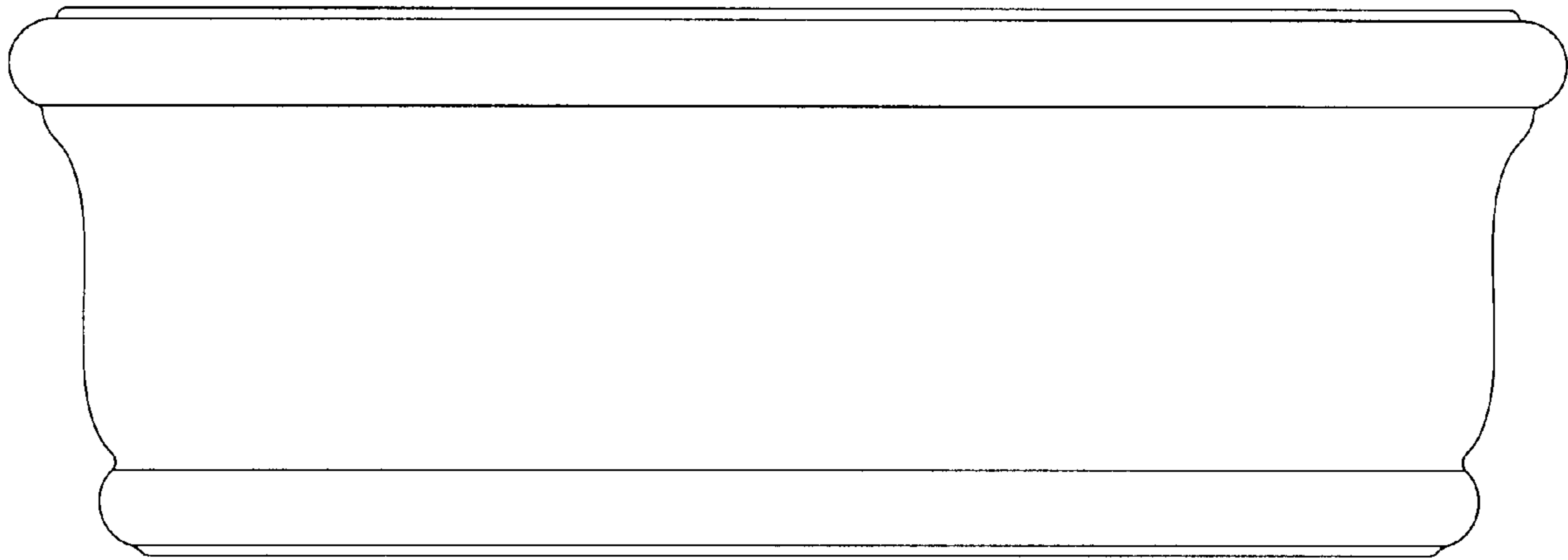


Fig.2.

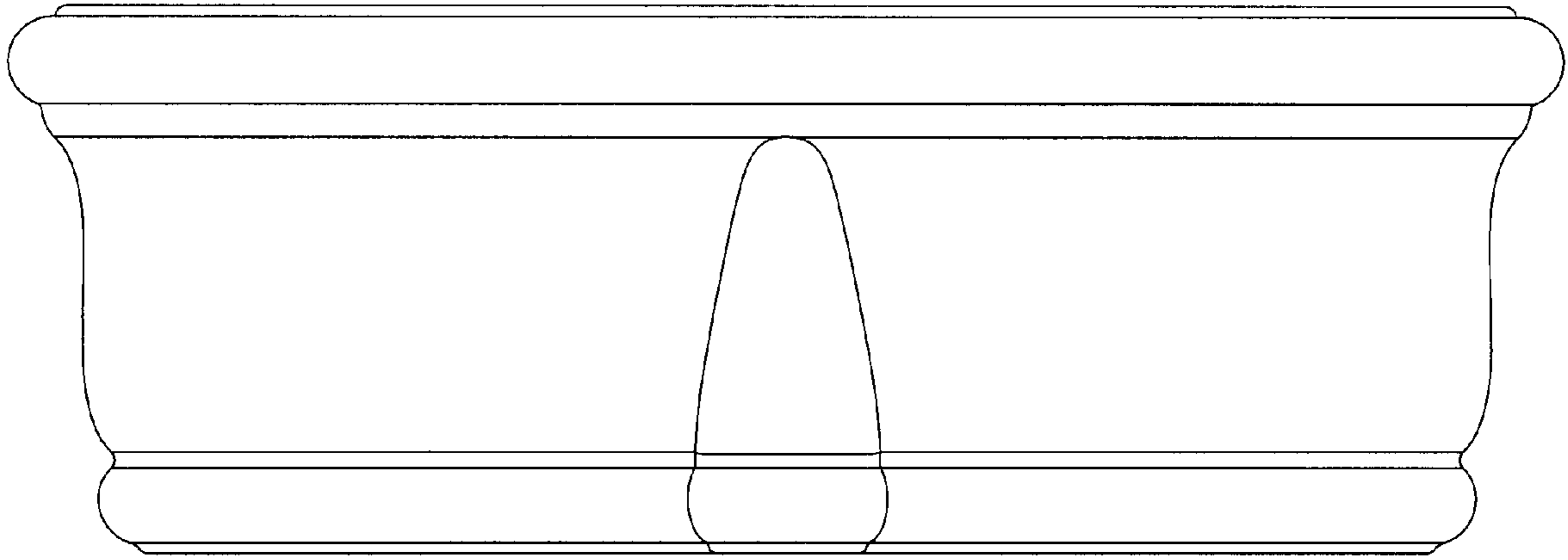


Fig.3.

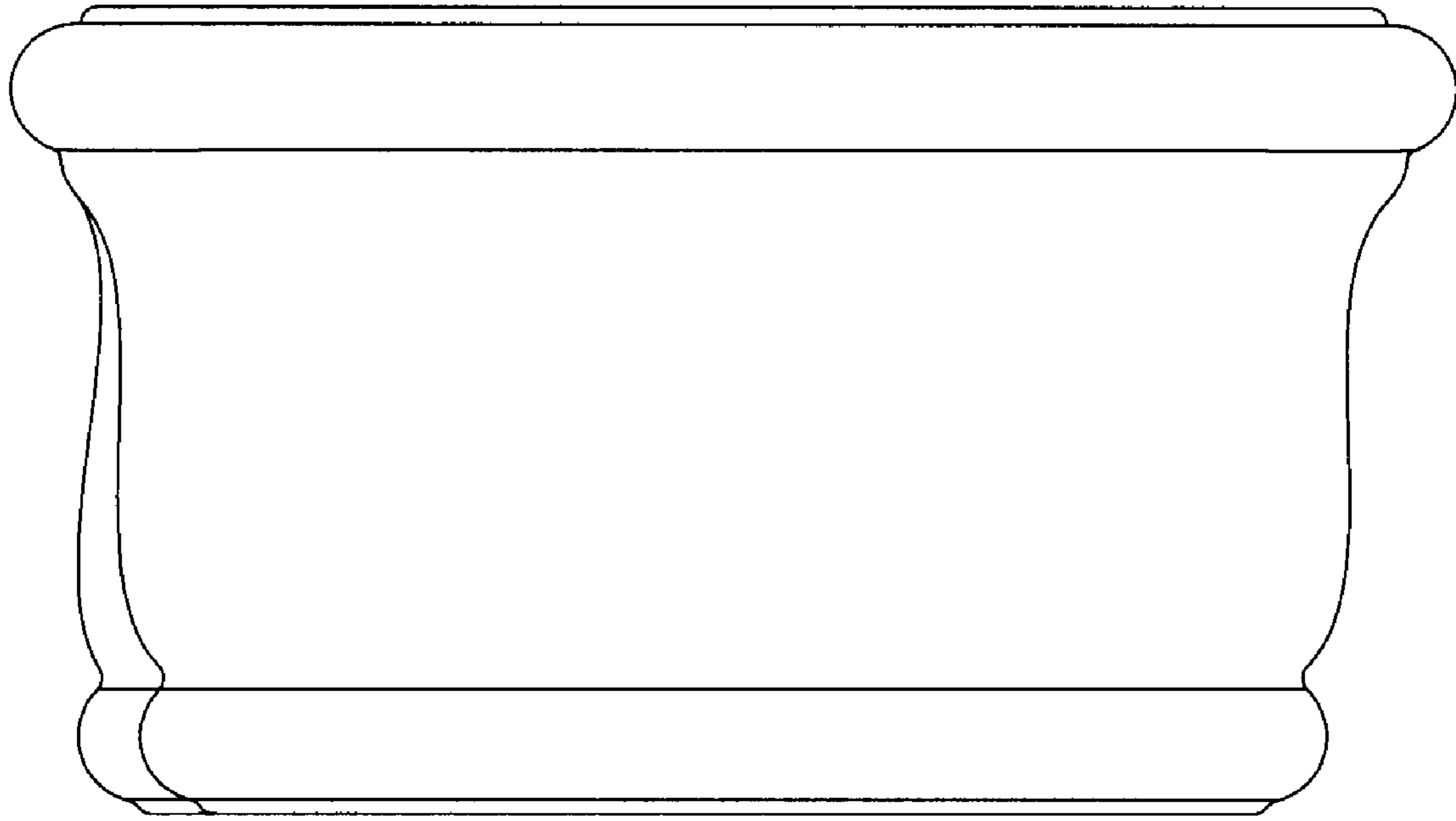


Fig.4.

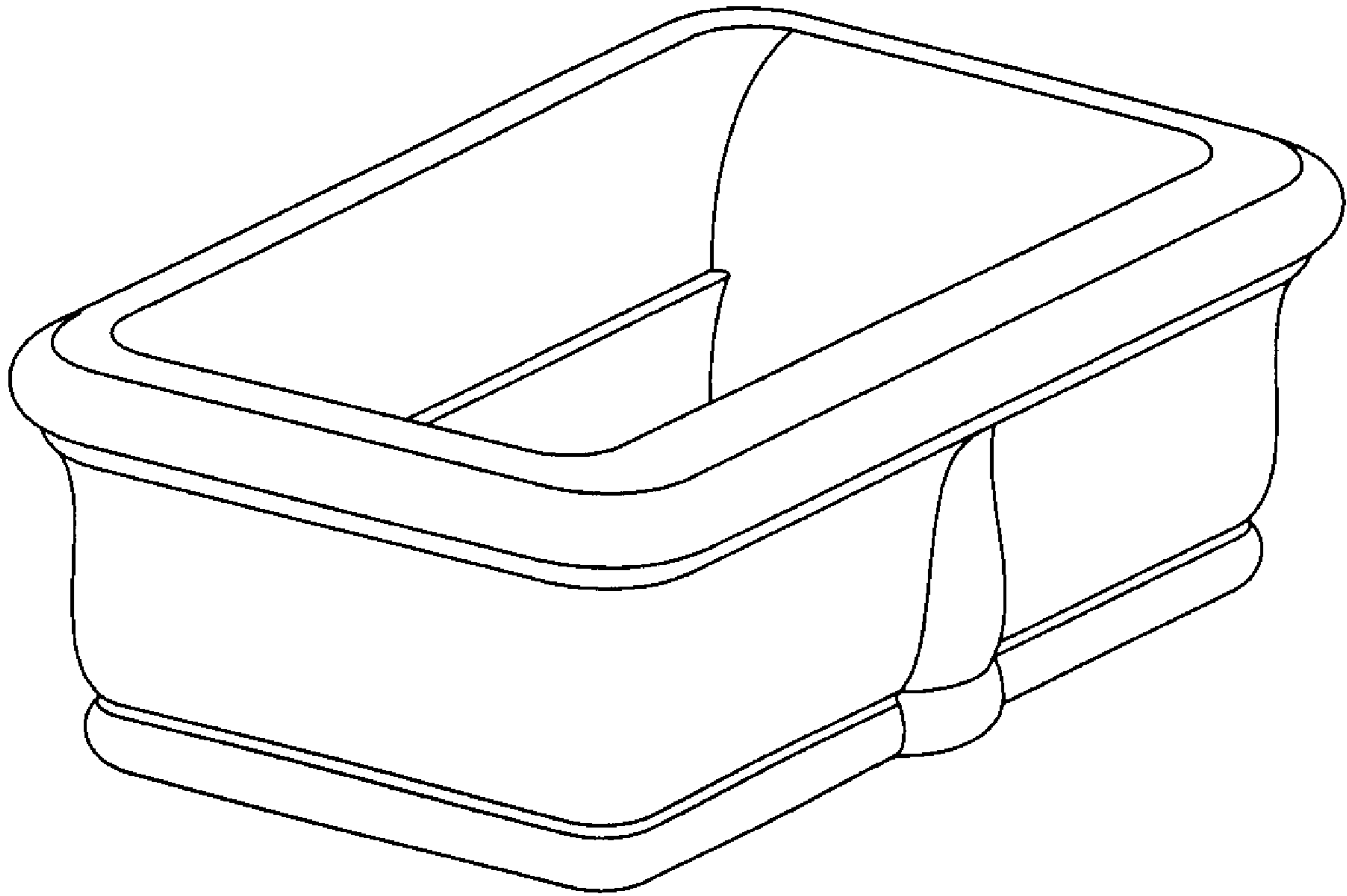


Fig.5.