



US00D615164S

(12) **United States Design Patent**
Zeyfang

(10) **Patent No.:** **US D615,164 S**

(45) **Date of Patent:** **** May 4, 2010**

(54) **OPEN ENDED INDUSTRIAL PIPE CAP**

(75) Inventor: **Frederick W. Zeyfang**, Erie, PA (US)

(73) Assignee: **Protective Industries, Inc.**, Buffalo, NY (US)

(**) Term: **14 Years**

(21) Appl. No.: **29/311,813**

(22) Filed: **Jun. 29, 2009**

(51) **LOC (9) Cl.** **23-01**

(52) **U.S. Cl.** **D23/260**

(58) **Field of Classification Search** D23/209,
D23/260-266; 239/201, 458; 285/239, 458;
40/316; 138/89, 109, 110, 119, 134, 135;
210/488; 215/207, 222; D8/397; D24/232;
D9/454

See application file for complete search history.

(56) **References Cited**

U.S. PATENT DOCUMENTS

3,265,310	A *	8/1966	Cohen	239/201
D288,902	S *	3/1987	Lewis	D8/397
D303,710	S *	9/1989	Neill	D24/232
4,968,425	A *	11/1990	Nakajima et al.	210/488
D317,965	S *	7/1991	Svensson	D23/209
5,383,494	A *	1/1995	Caine	138/89
5,456,833	A *	10/1995	Butcher et al.	210/488
2005/0077262	A1 *	4/2005	Bertani et al.	215/207

* cited by examiner

Primary Examiner—Daniel D Bui
Assistant Examiner—Thomas J Johannes

(57) **CLAIM**

The ornamental design for an open ended industrial pipe cap, as shown and described.

DESCRIPTION

FIG. 1 is a perspective view of an open ended industrial pipe cap showing a first embodiment of my new design;

FIG. 2 is a top view thereof;

FIG. 3 is a side view thereof; with the opposite side view being identical thereto;

FIG. 4 is a side view thereof; shown rotated 90 degrees from the view of FIG. 3;

FIG. 5 is an opposite side view thereof;

FIG. 6 is a bottom view thereof;

FIG. 7 is a perspective view of an open ended industrial pipe cap showing a second embodiment of my new design;

FIG. 8 is a top view thereof;

FIG. 9 is a side view thereof; with the opposite side view being identical thereto;

FIG. 10 is a side view thereof; shown rotated 90 degrees from the view of FIG. 9;

FIG. 11 is an opposite side view thereof; and,

FIG. 12 is a bottom view thereof.

1 Claim, 4 Drawing Sheets

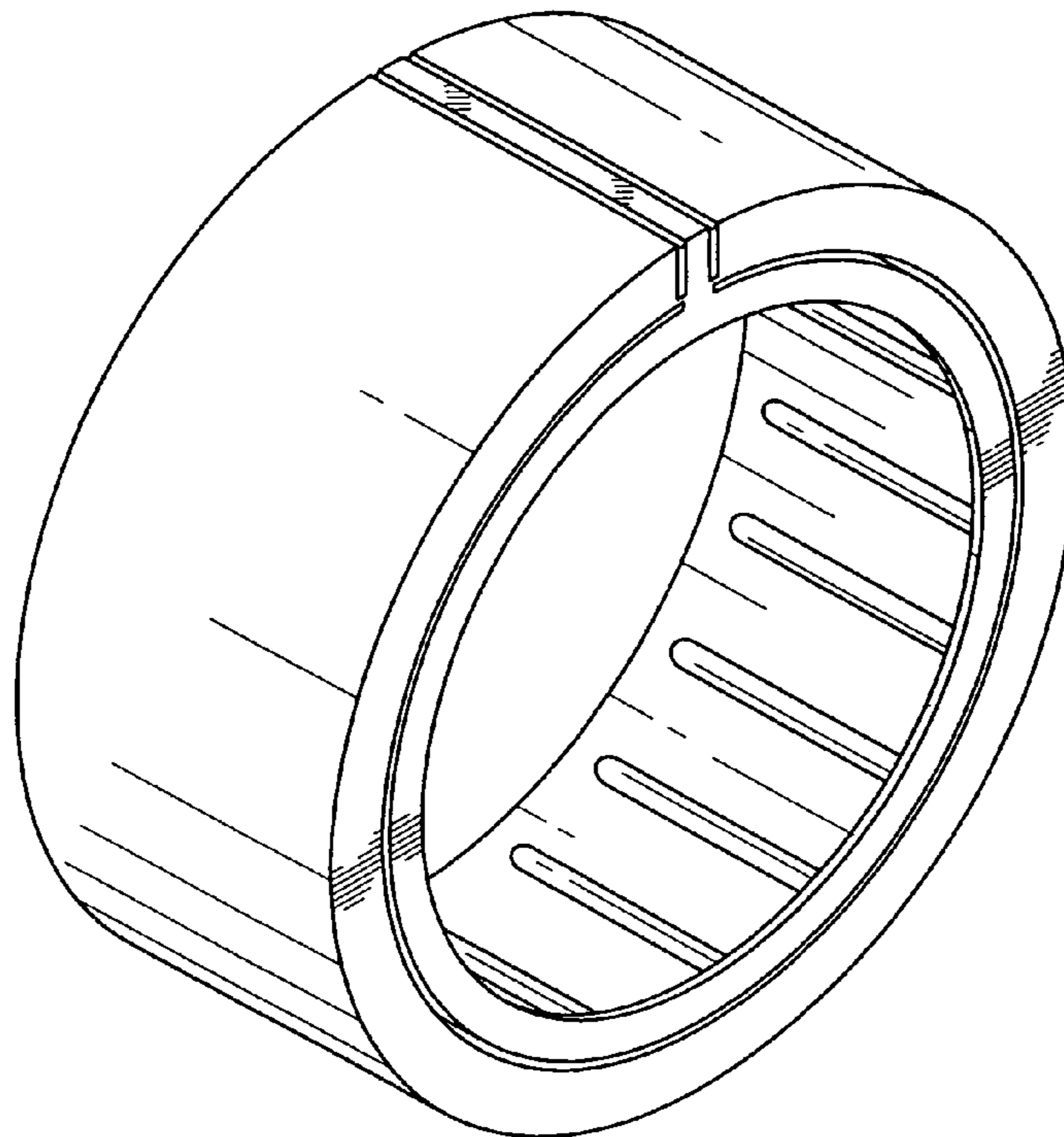


FIG. 1

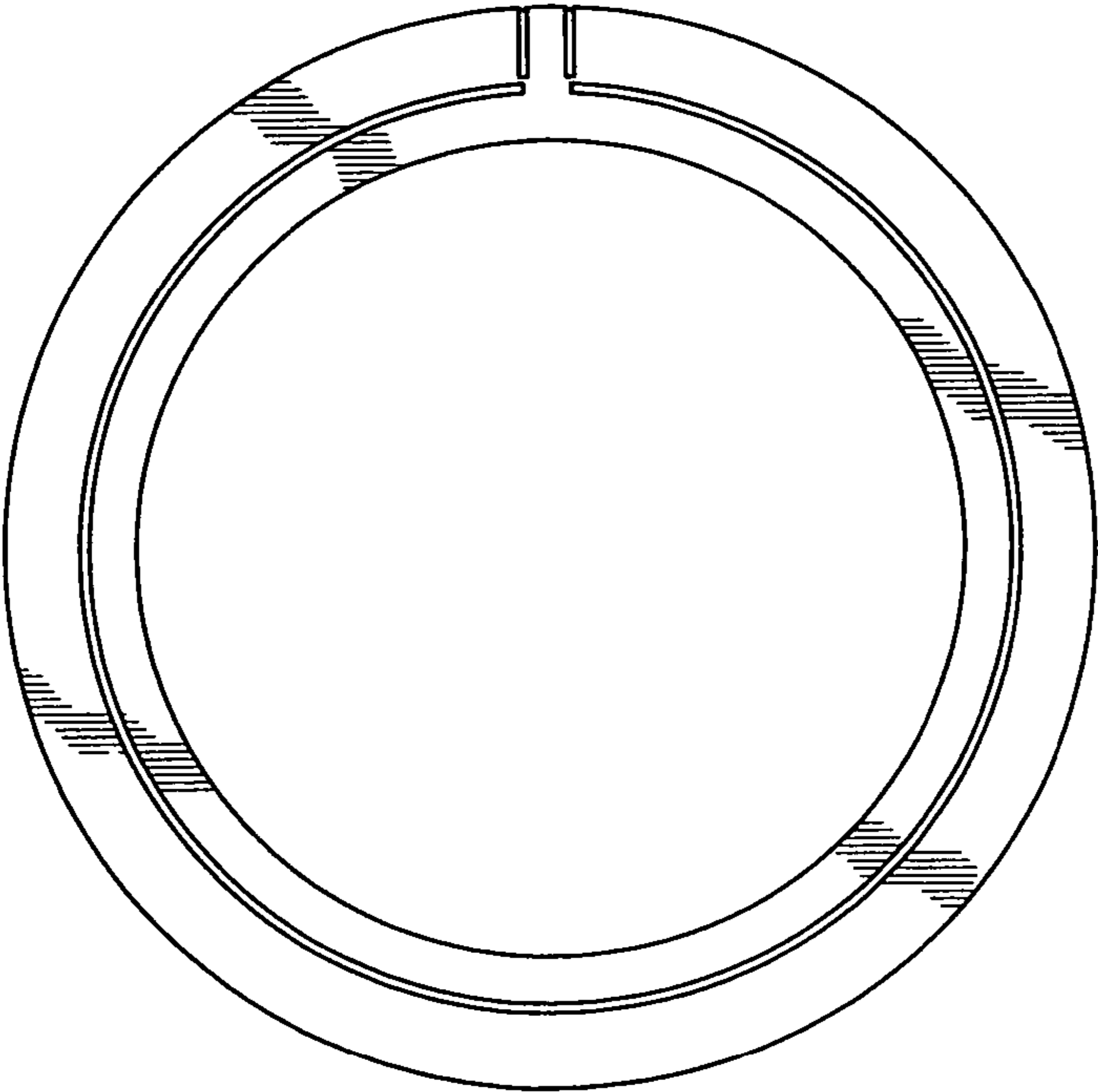
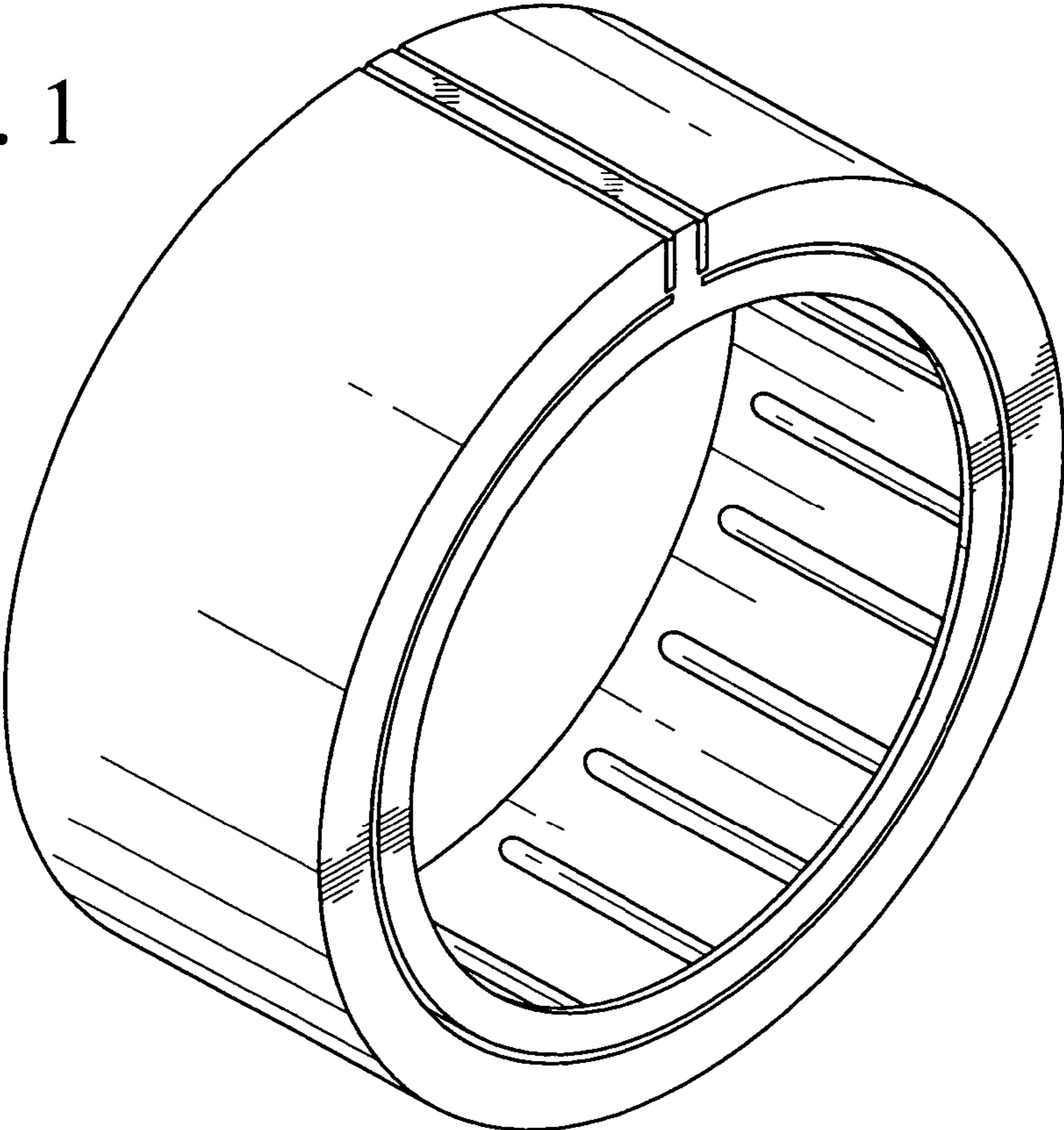


FIG. 2

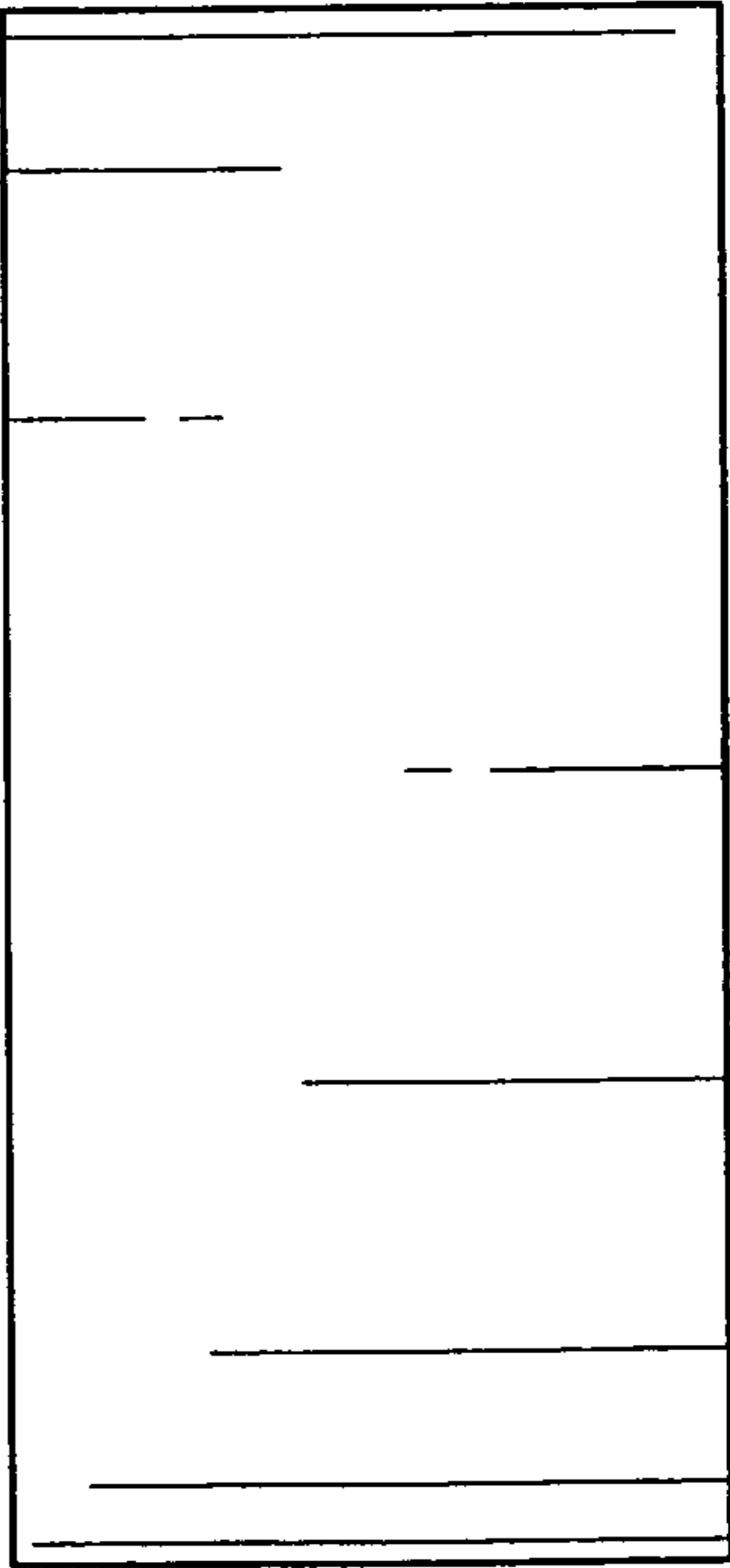


FIG. 3

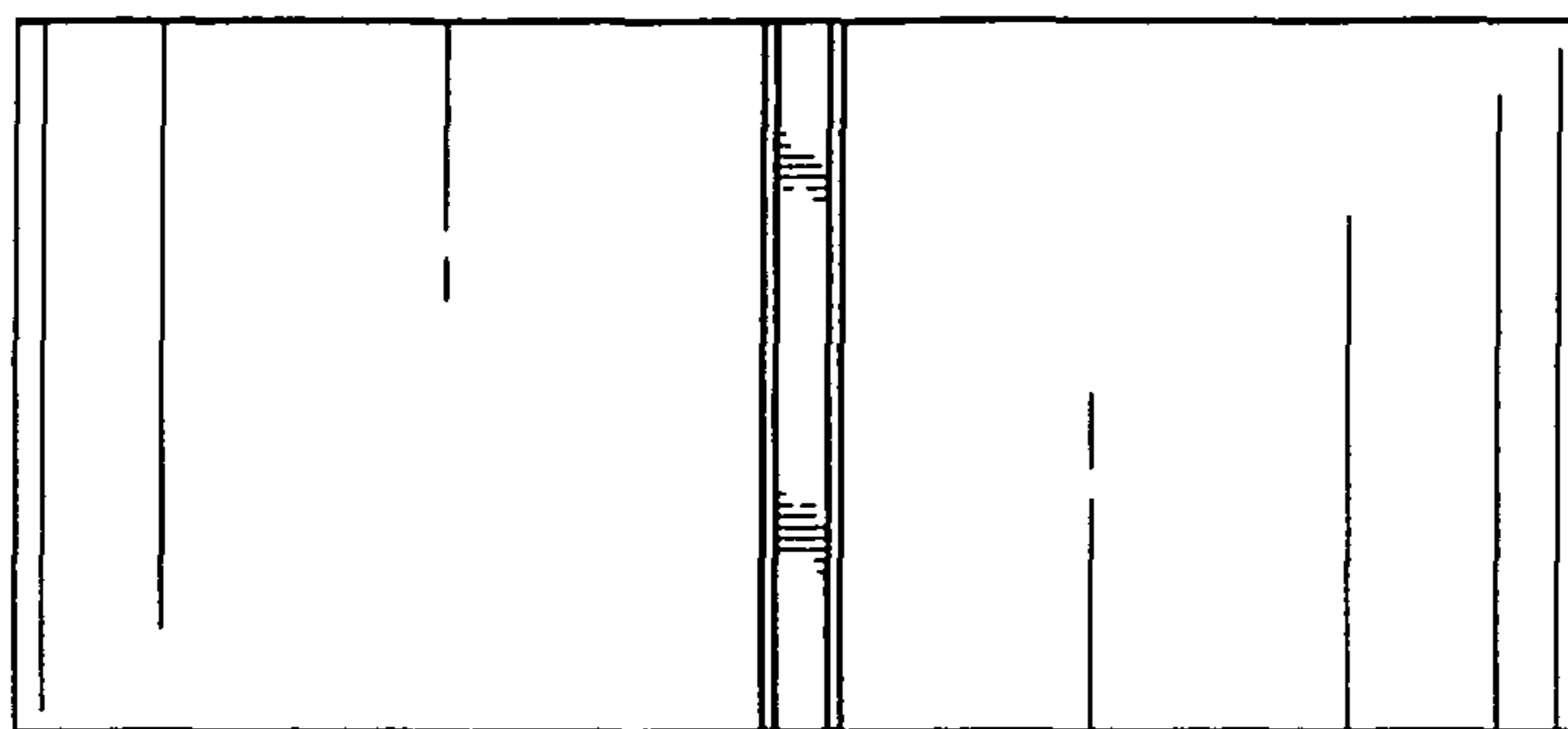


FIG. 4

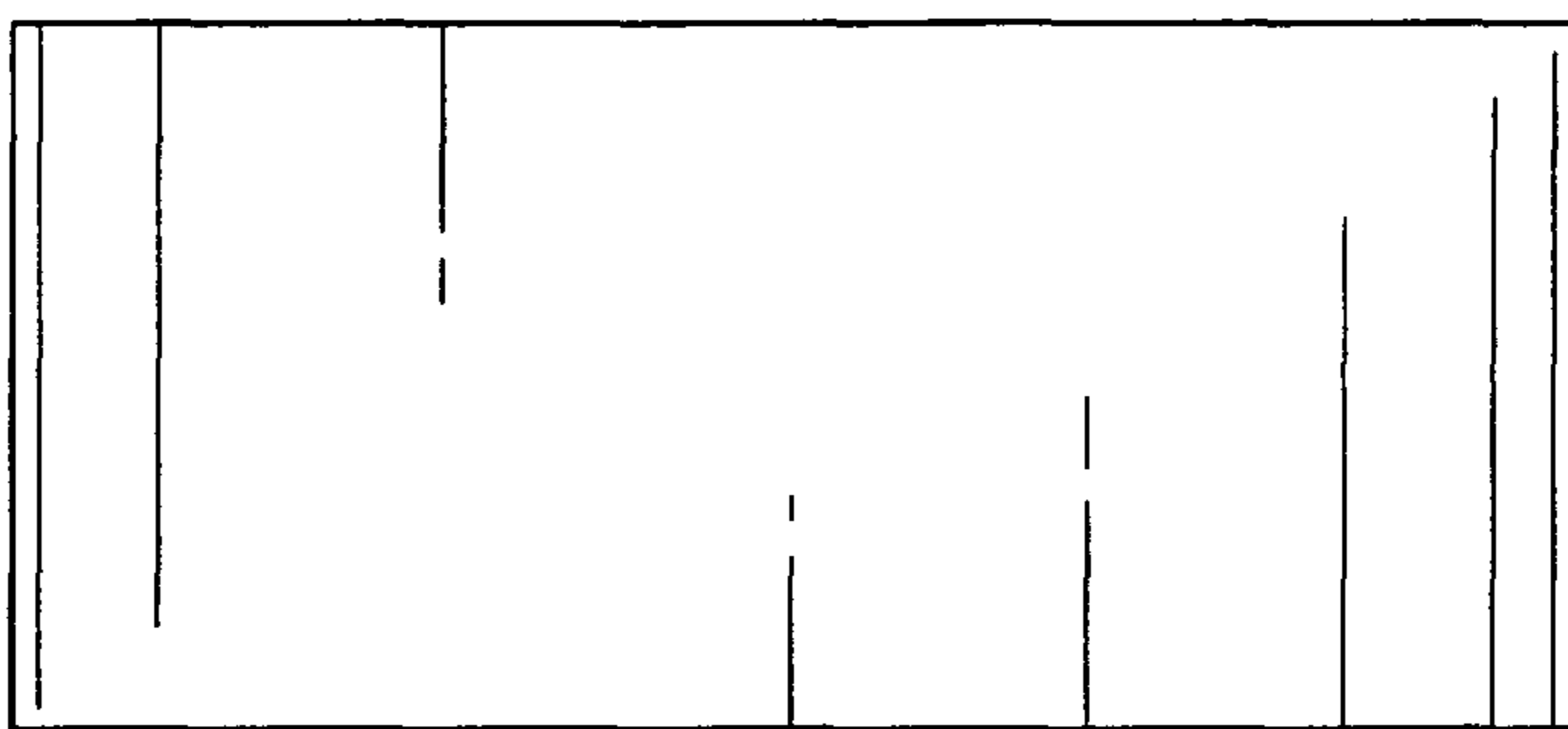


FIG. 5

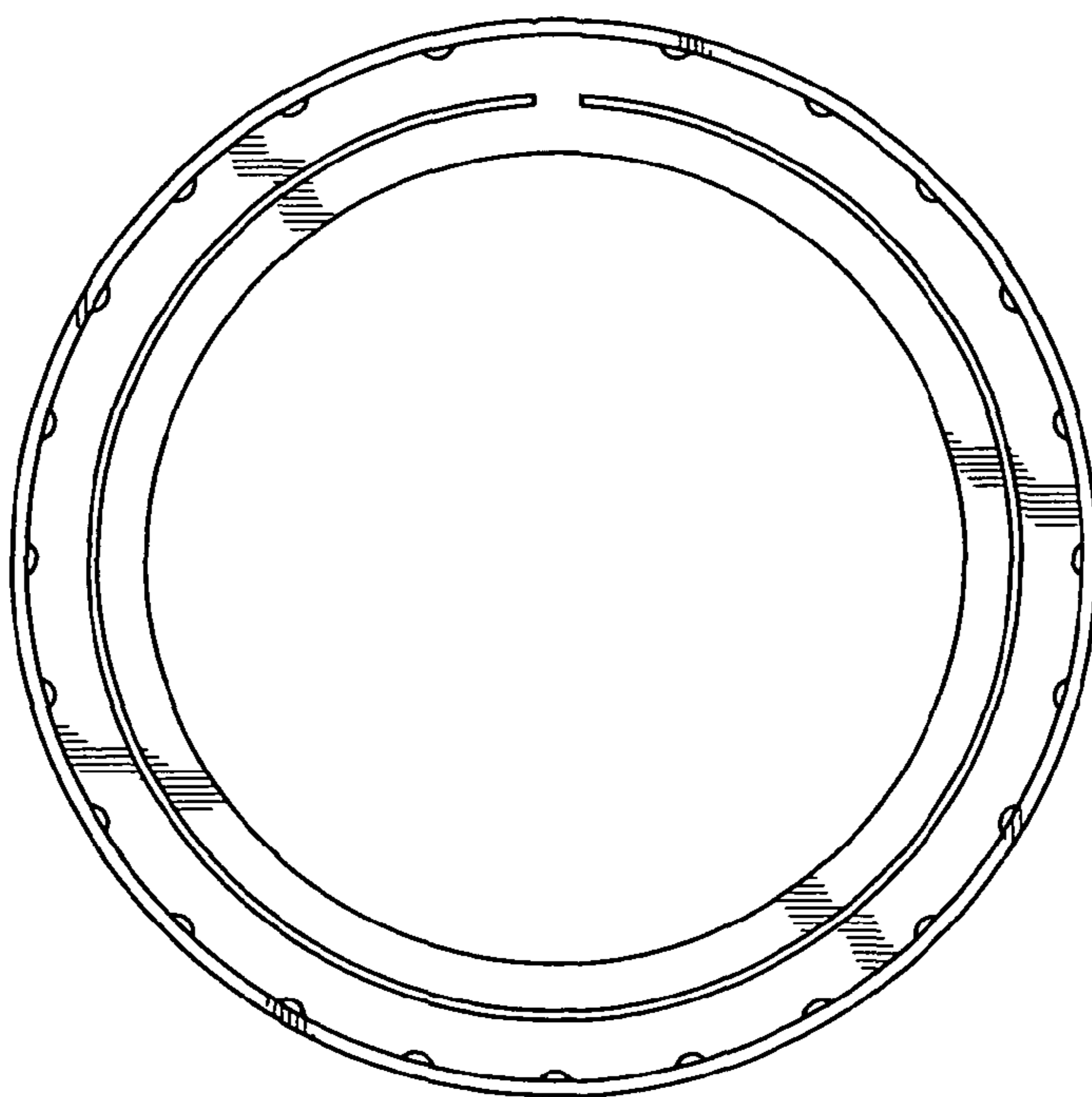


FIG. 6

FIG. 7

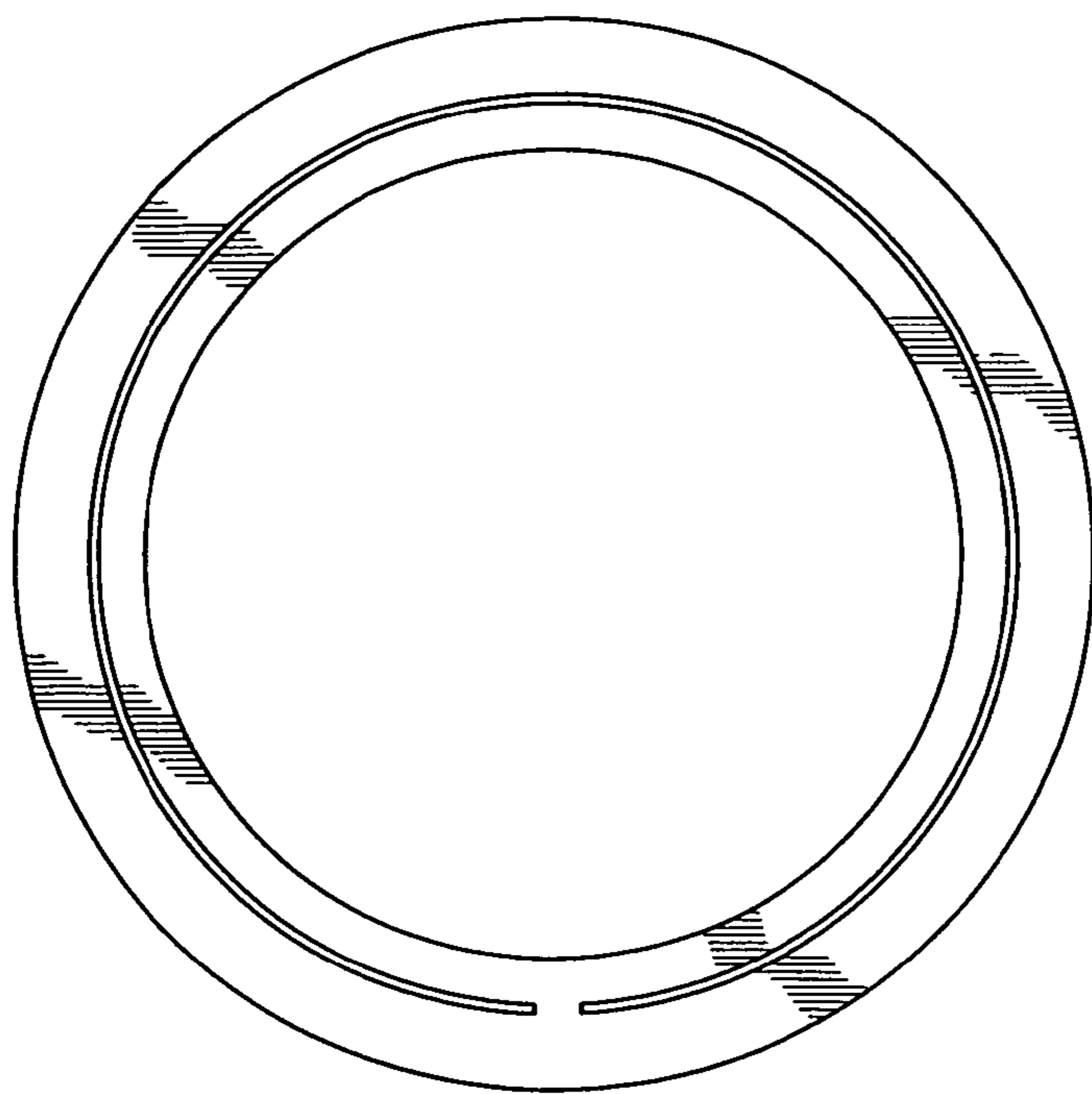
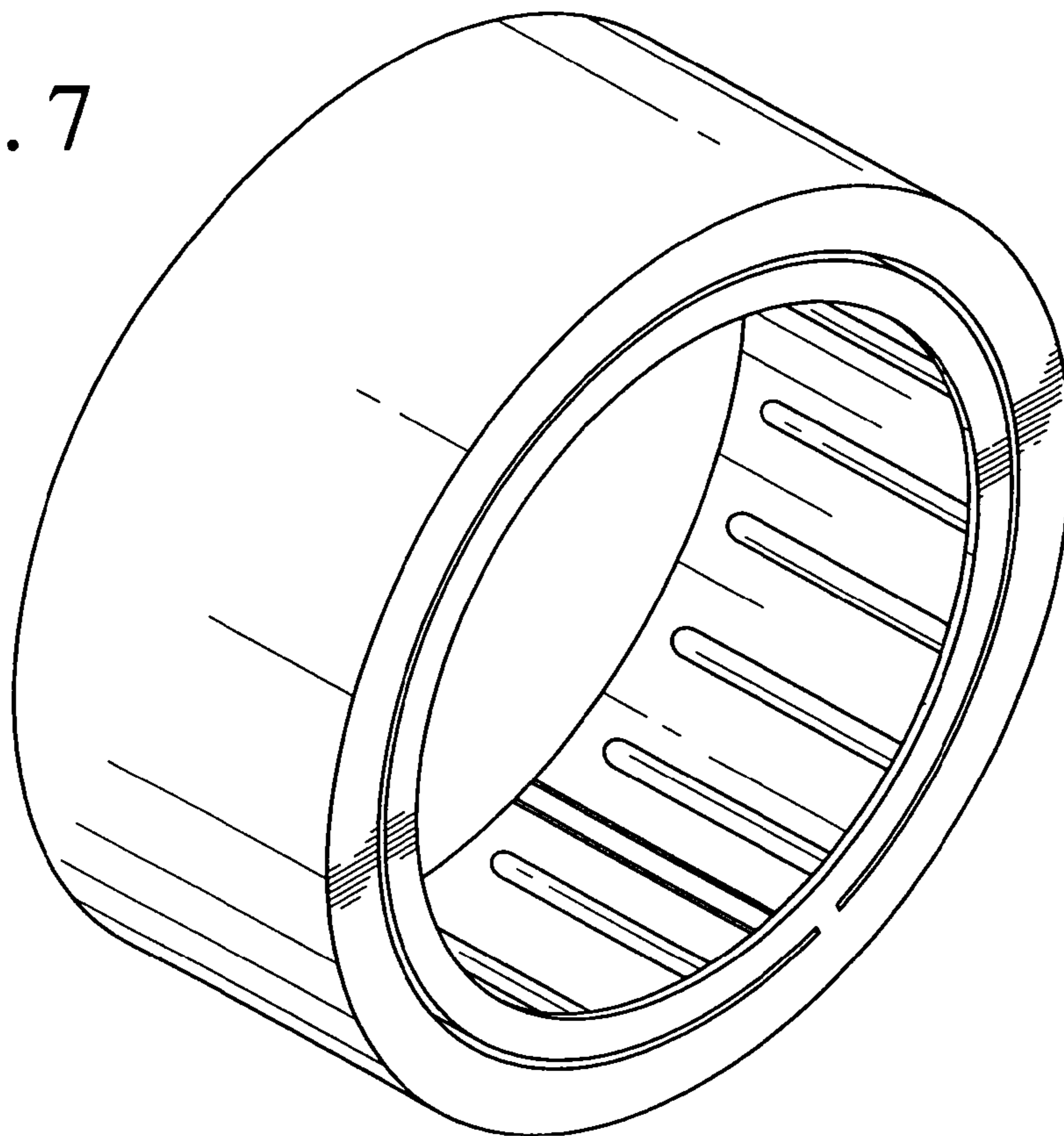


FIG. 8

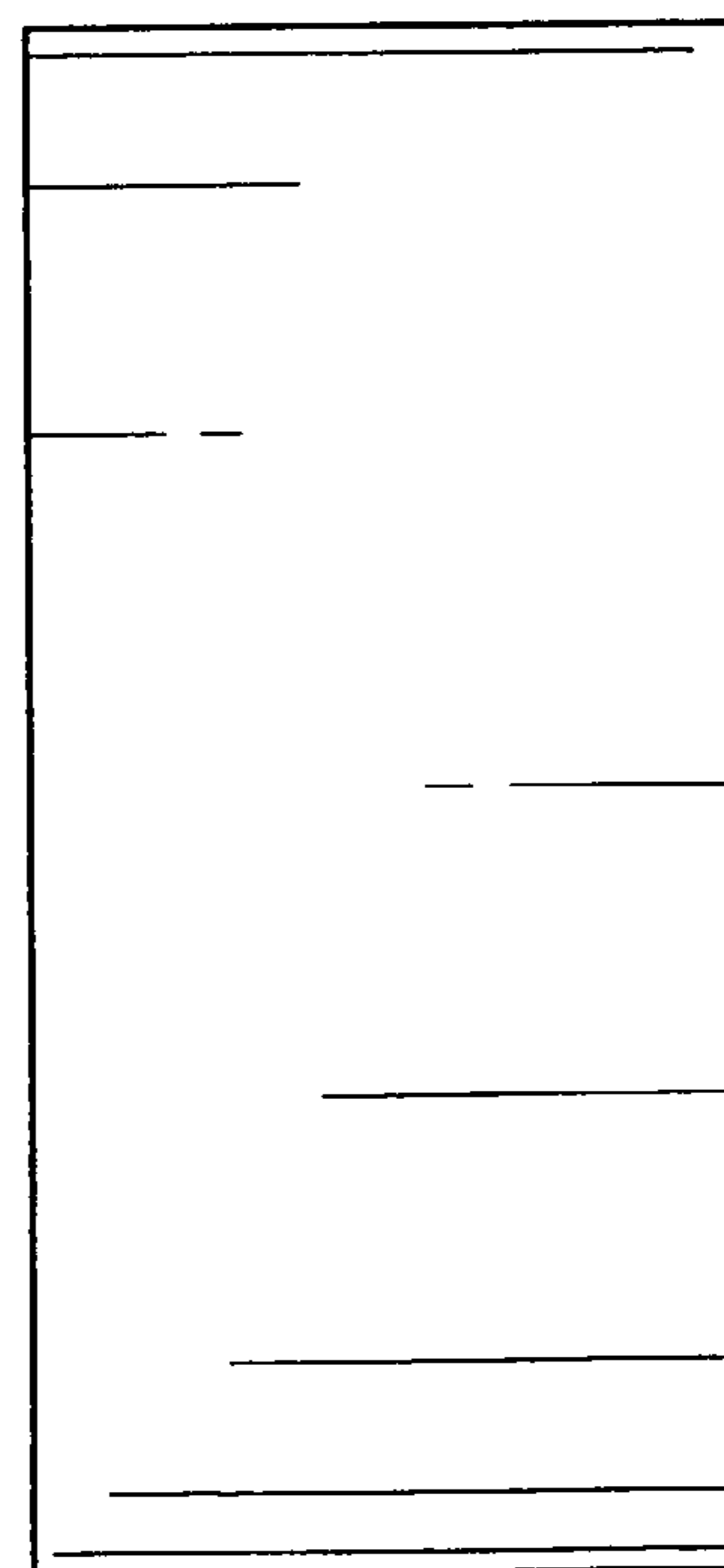


FIG. 9

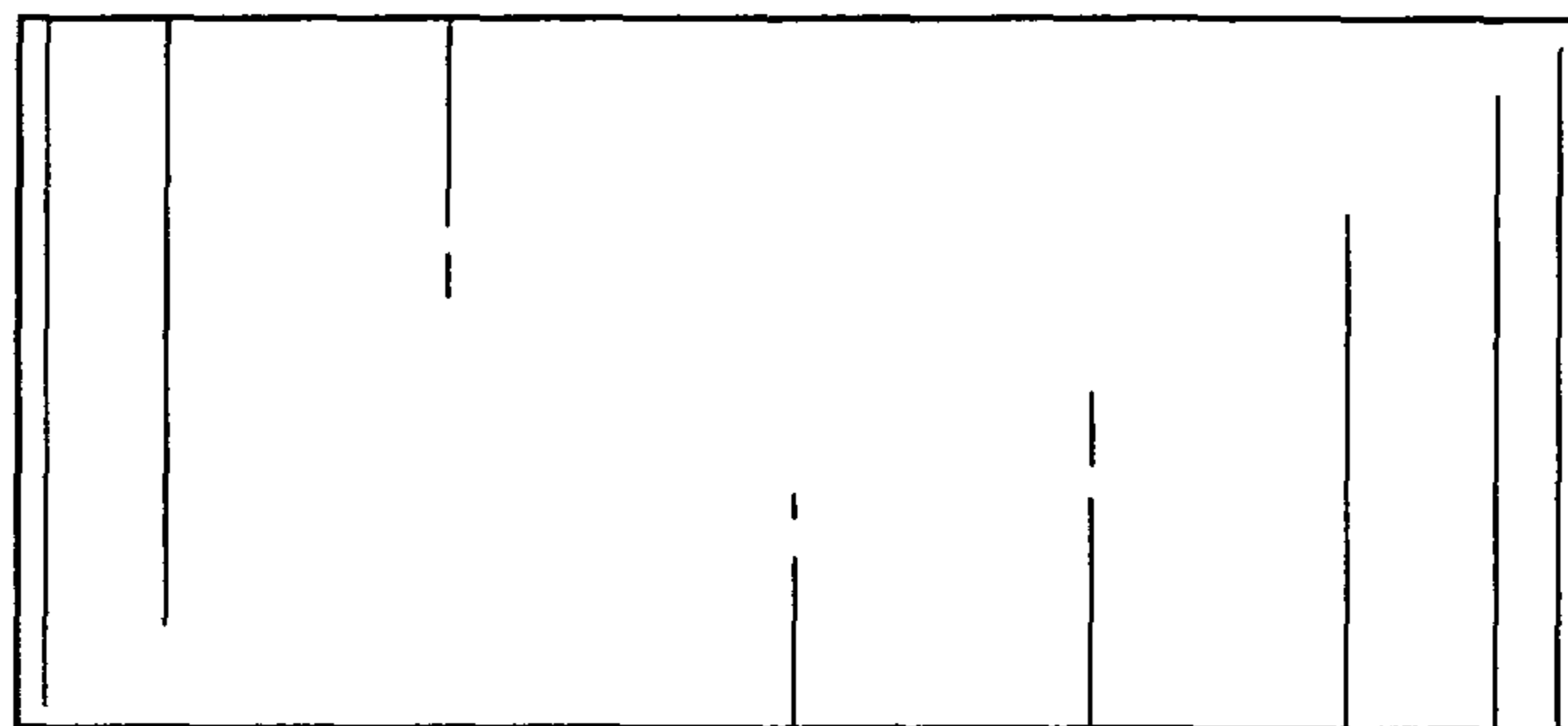


FIG. 10

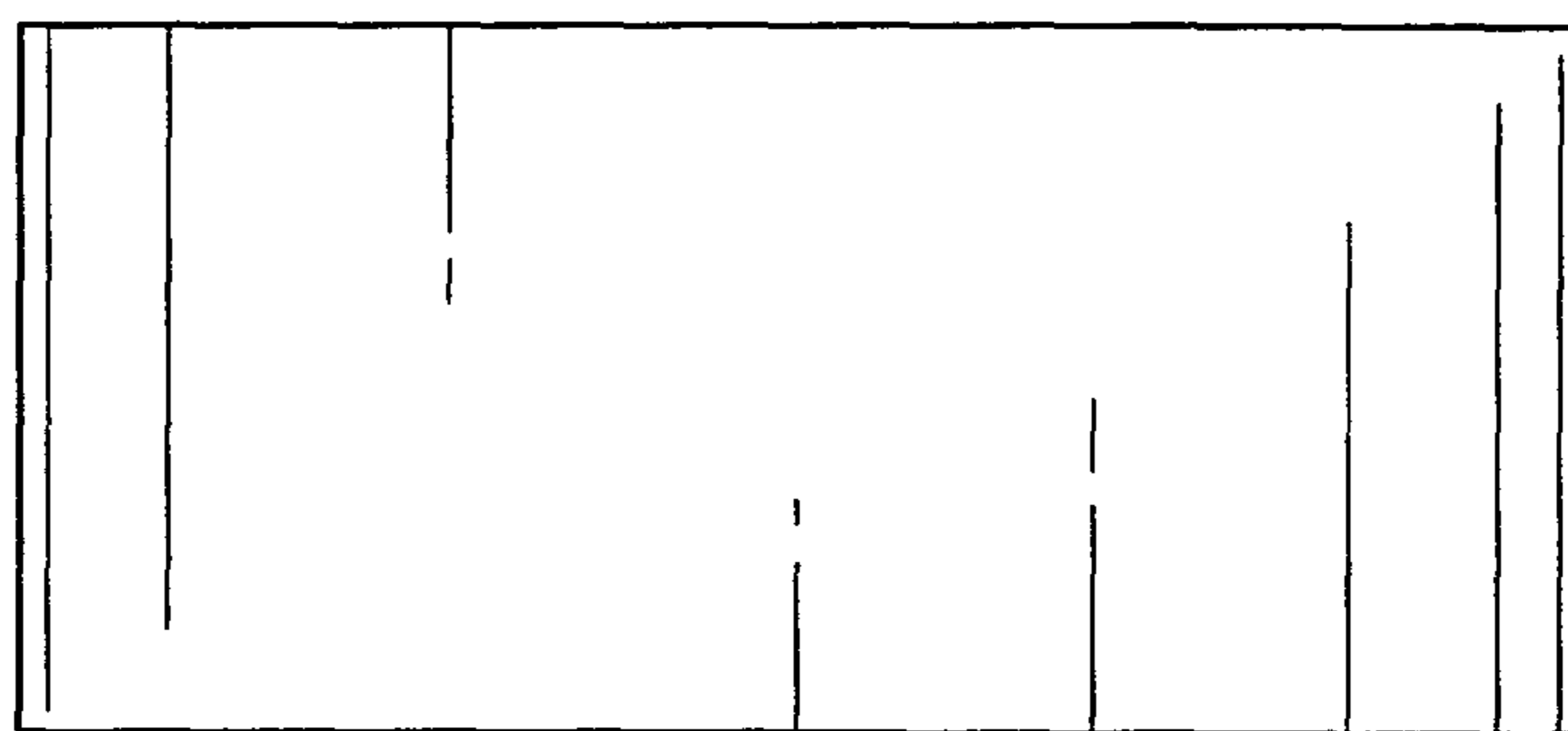


FIG. 11

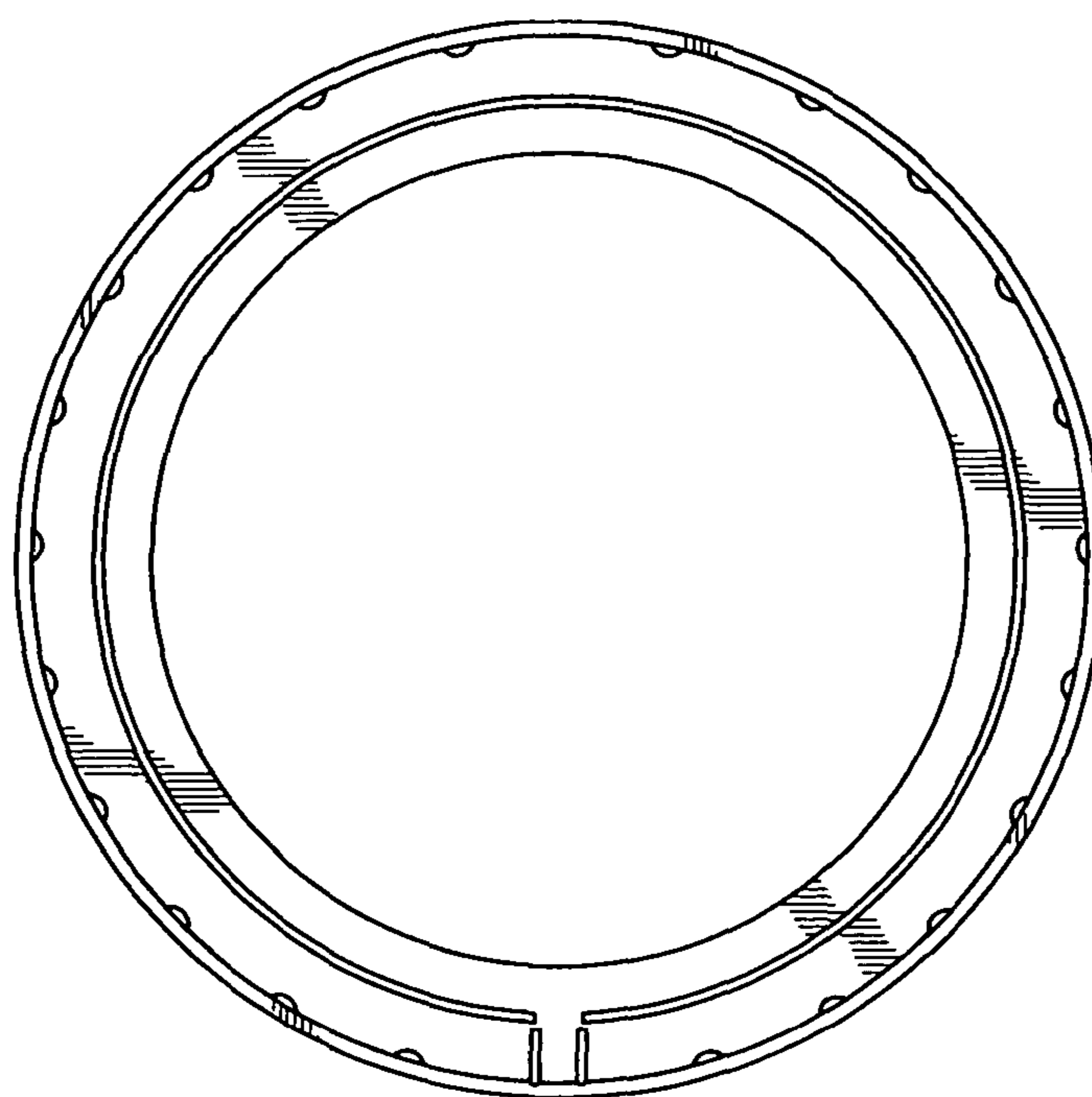


FIG. 12