



US00D615163S

(12) **United States Design Patent**
Sieger

(10) **Patent No.:** **US D615,163 S**

(45) **Date of Patent:** **** May 4, 2010**

(54) **DECK-MOUNT FAUCET SPOUT**

(75) Inventor: **Michael Sieger**, Sassenberg (DE)

(73) Assignee: **Oys F. Dornbracht GmbH & Co. KG**,
Iserlohn (DE)

(**) Term: **14 Years**

(21) Appl. No.: **29/336,257**

(22) Filed: **Apr. 30, 2009**

(30) **Foreign Application Priority Data**

Feb. 24, 2009 (EM) 001094866-0002

(51) **LOC (9) Cl.** **23-01**

(52) **U.S. Cl.** **D23/255**

(58) **Field of Classification Search** D23/200,
D23/238–257; D6/512, 546, 550; D8/300,
D8/307–308, 310–312, 321; 4/675–678;
137/801; 16/110.1, 441

See application file for complete search history.

(56) **References Cited**

U.S. PATENT DOCUMENTS

D291,241 S *	8/1987	Rademacher	D23/257
D301,517 S *	6/1989	Anawalt	D23/255
D312,681 S *	12/1990	Kohler et al.	D23/255
D319,685 S *	9/1991	Kohler et al.	D23/255
D322,472 S *	12/1991	Kohler et al.	D23/255
D323,550 S *	1/1992	Delepine	D23/257
D339,854 S *	9/1993	Paulin et al.	D23/255
D341,190 S *	11/1993	Pauls et al.	D23/255
D341,648 S *	11/1993	Bengtson et al.	D23/255
D515,663 S *	2/2006	Lin	D23/238

D519,617 S *	4/2006	Hoernig	D23/255
D528,637 S *	9/2006	Massaud	D23/238
D529,133 S *	9/2006	Massaud	D23/238
D530,782 S *	10/2006	Starck	D23/238
D534,996 S *	1/2007	Wang	D23/255
D541,907 S *	5/2007	Qing	D23/238
D580,528 S *	11/2008	Urquiola	D23/255
D583,024 S *	12/2008	Downey	D23/255
D596,717 S *	7/2009	Jones et al.	D23/255

* cited by examiner

Primary Examiner—T. Chase Nelson

Assistant Examiner—Mark Cavanna

(74) *Attorney, Agent, or Firm*—Andrew Wilford

(57) **CLAIM**

The ornamental design for a deck-mount faucet spout, as shown and described.

DESCRIPTION

FIG. 1 is a front perspective view from the left side of the deck-mount faucet spout showing my new design;

FIG. 2 is a front perspective view from the right side thereof;

FIG. 3 is a left-side elevational view thereof;

FIG. 4 is a right-side elevational view thereof;

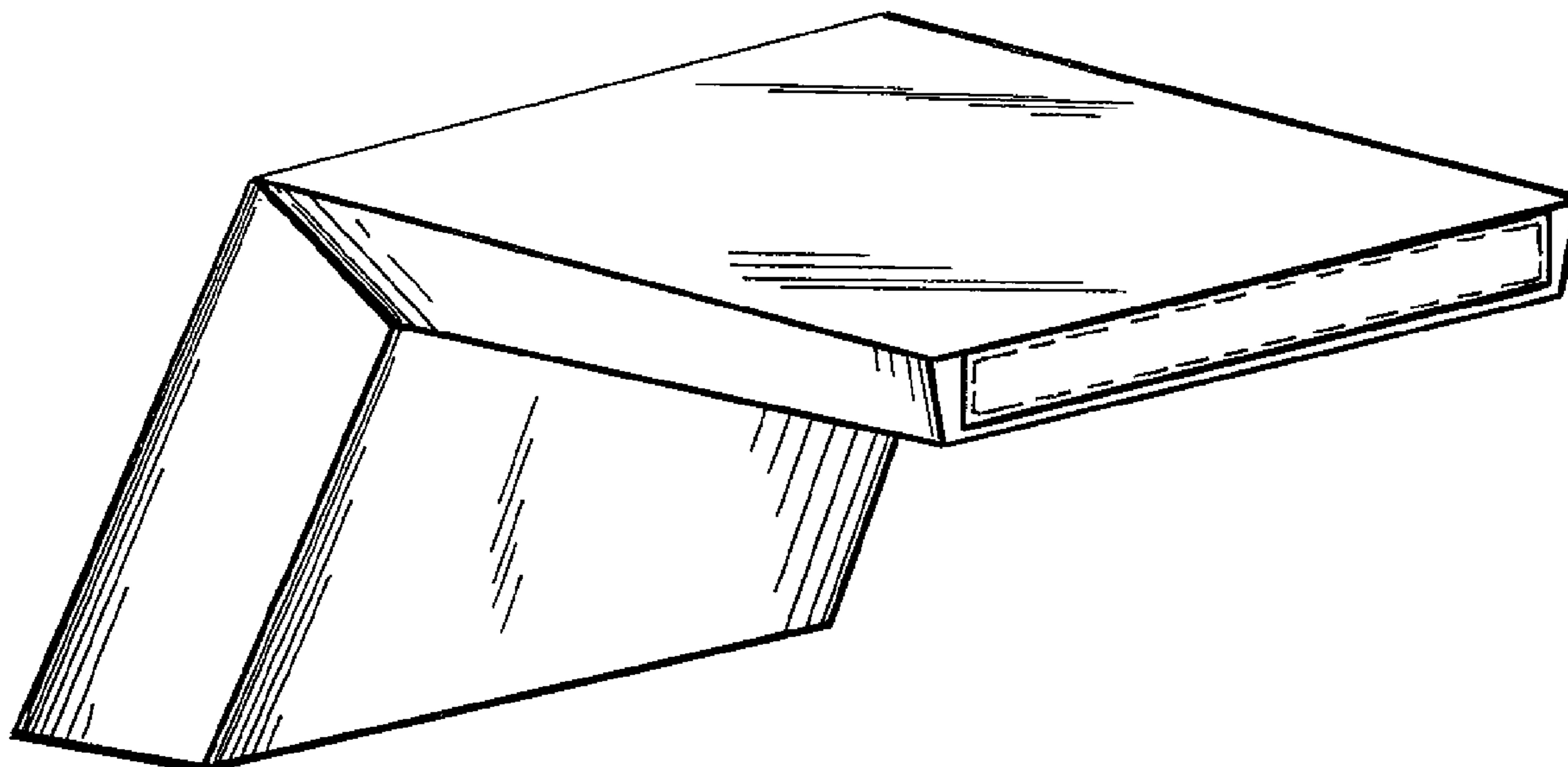
FIG. 5 is a rear elevational view thereof;

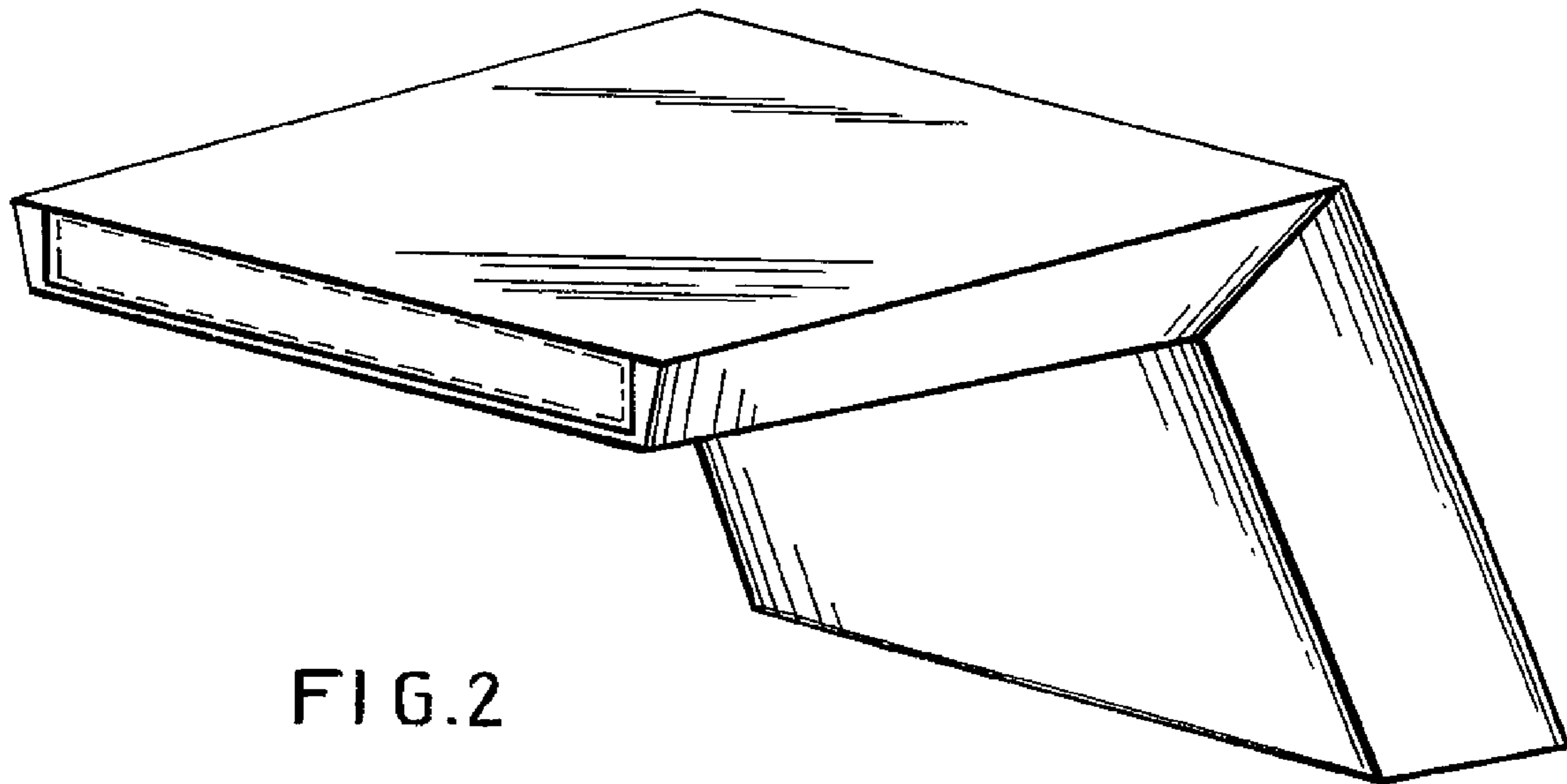
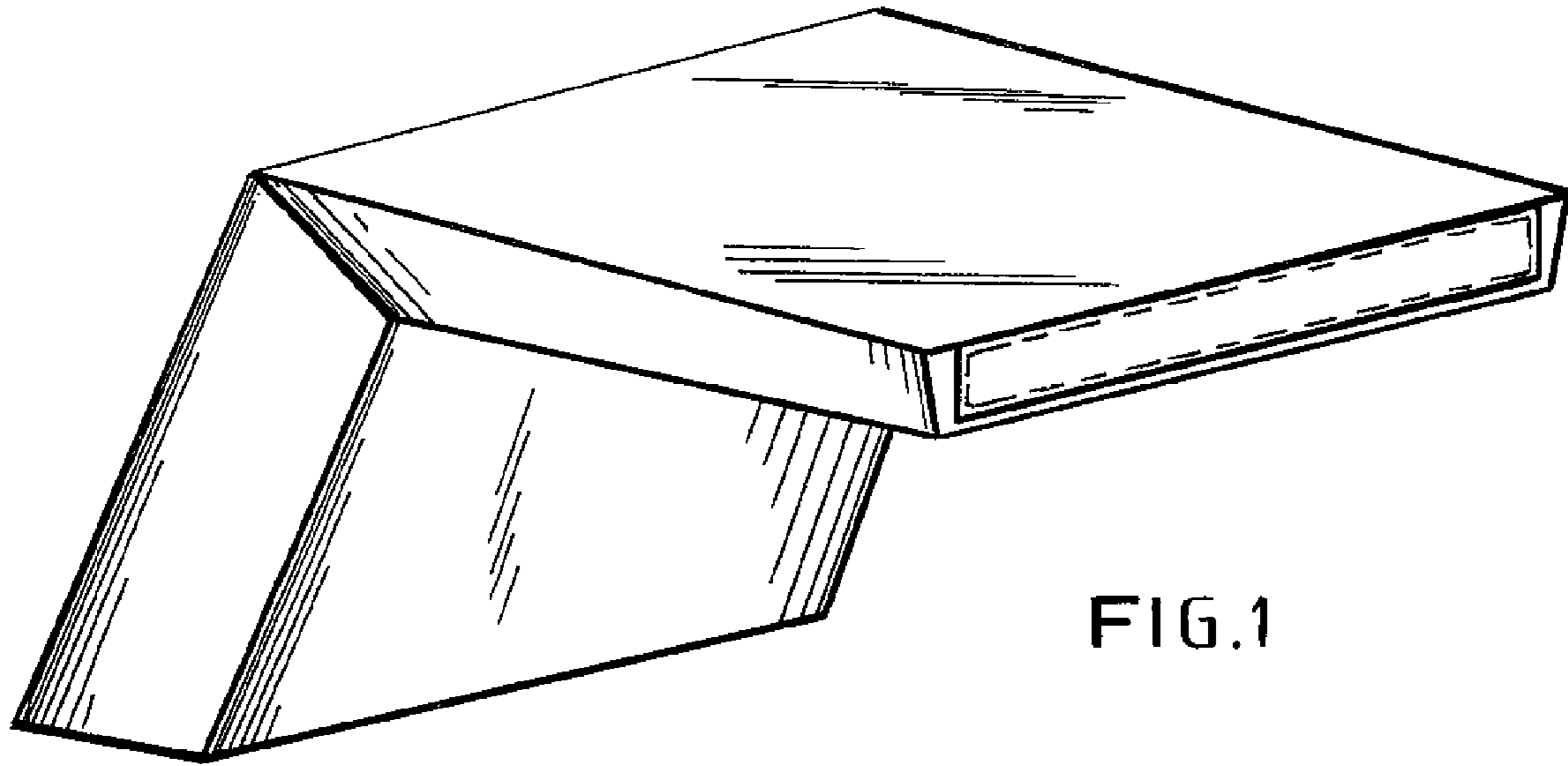
FIG. 6 is a front elevational thereof; and,

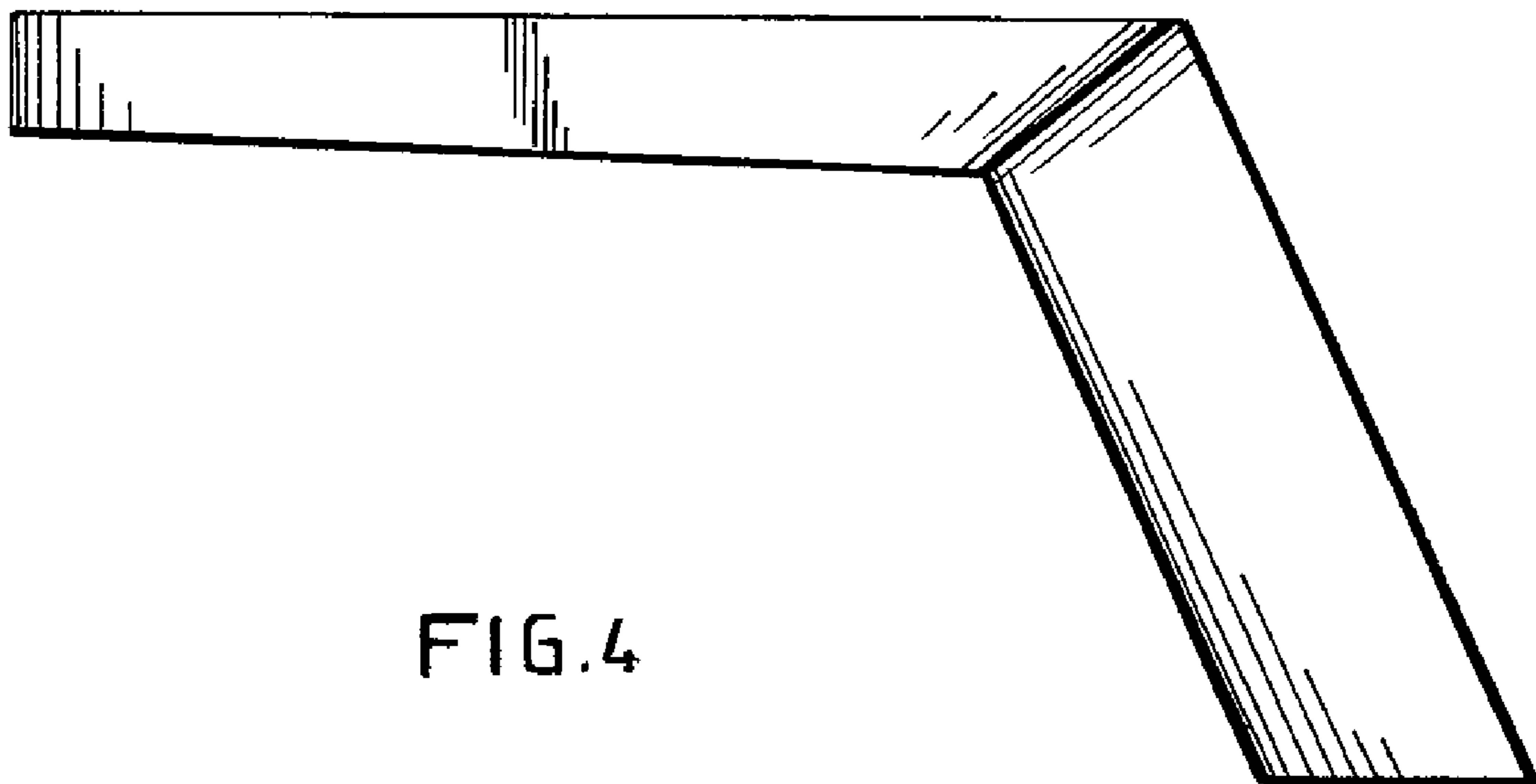
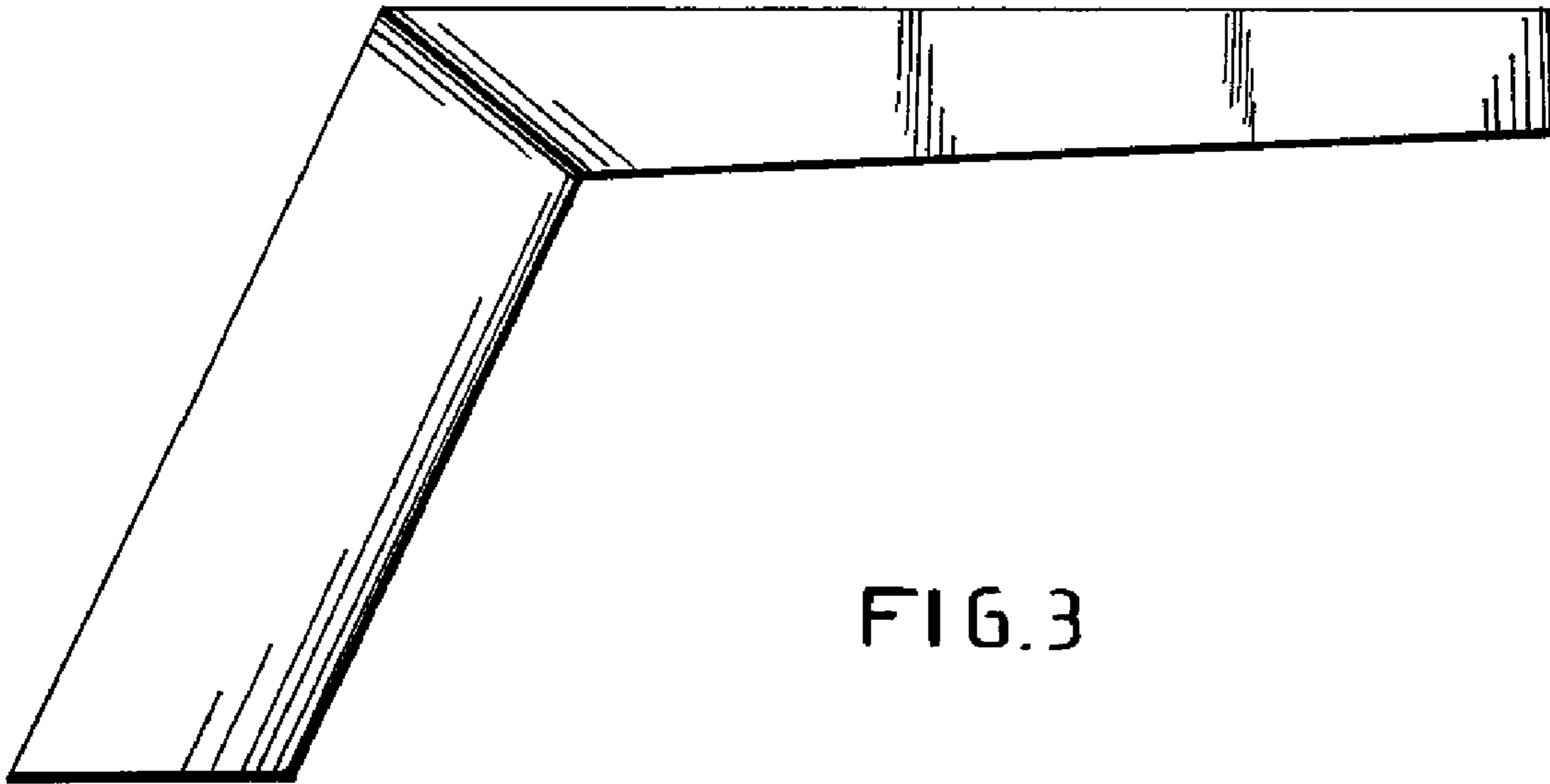
FIG. 7 is a top view thereof.

The broken lines shown are included for the purpose of illustrating portions of the deck-mount faucet spout that form no part of the claimed design.

1 Claim, 4 Drawing Sheets







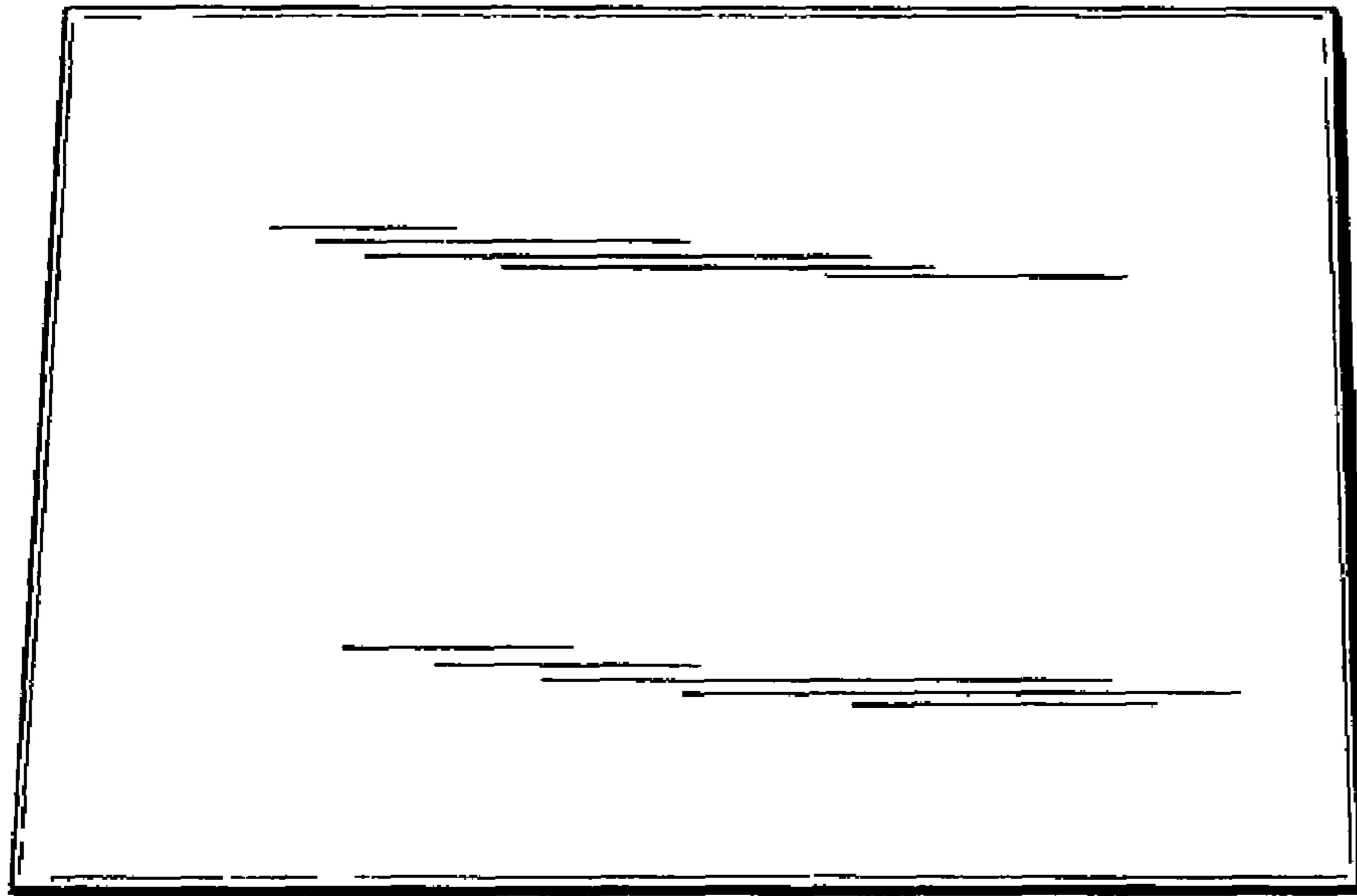


FIG. 5

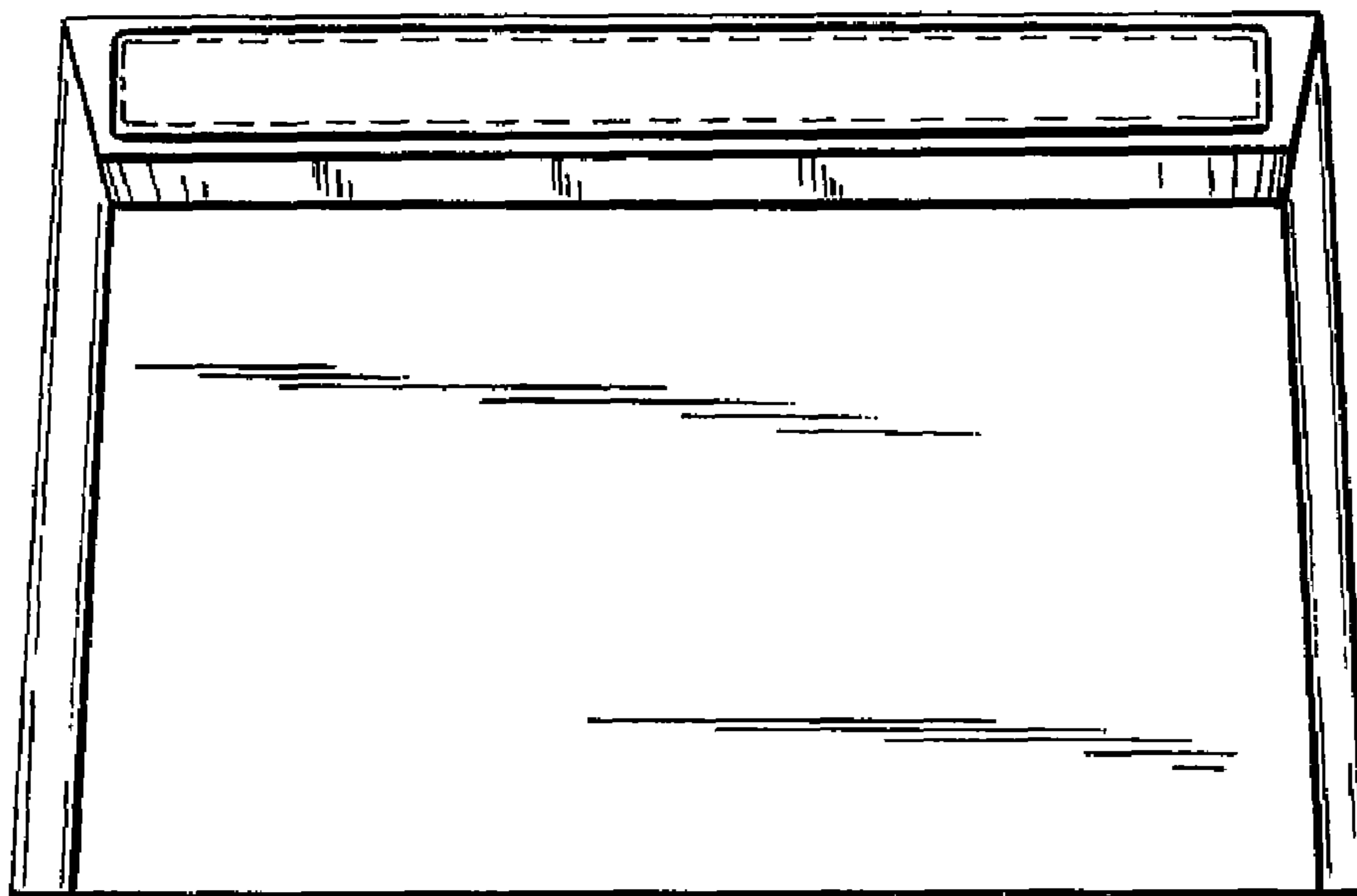


FIG. 6

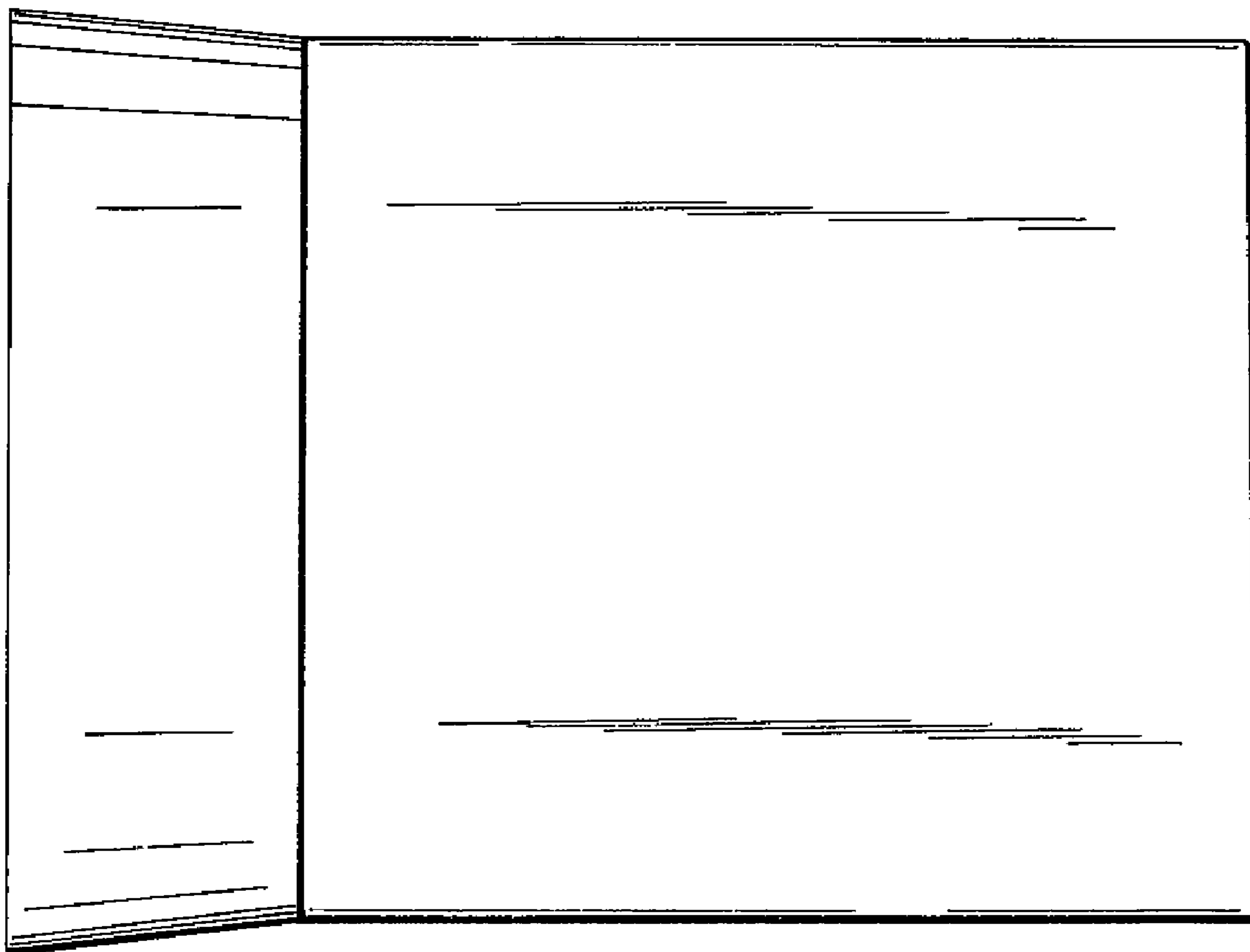


FIG. 7

UNITED STATES PATENT AND TRADEMARK OFFICE
CERTIFICATE OF CORRECTION

PATENT NO. : Des. 615,163 S
APPLICATION NO. : 29/336257
DATED : May 4, 2010
INVENTOR(S) : Michael Sieger

Page 1 of 1

It is certified that error appears in the above-identified patent and that said Letters Patent is hereby corrected as shown below:

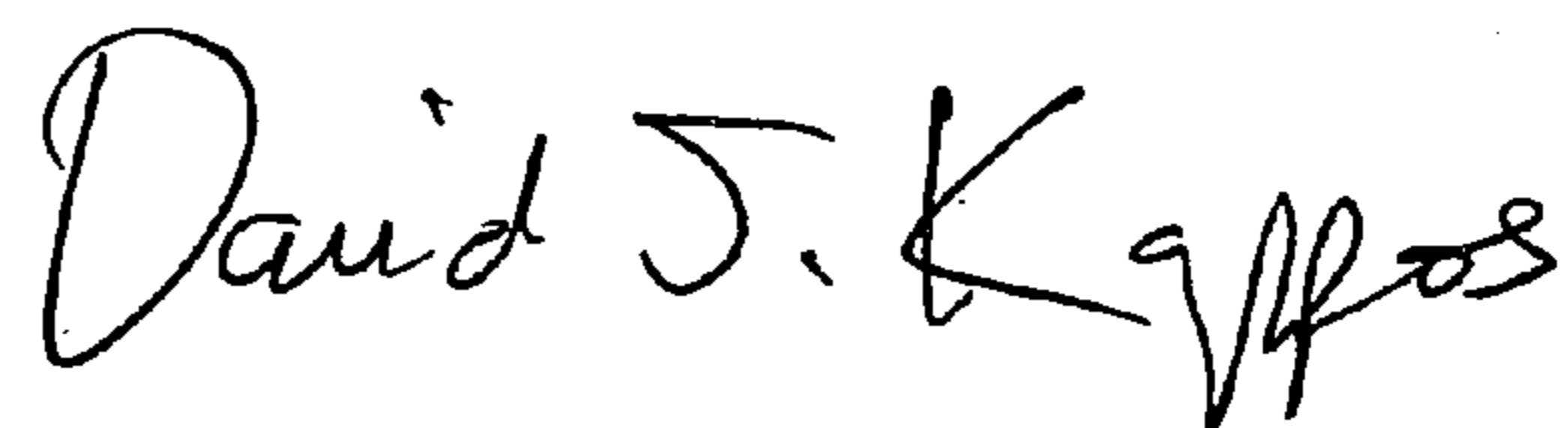
Title Pg, Item (73) Assignee:

The name of the Assignee should be shown as:

-- Aloys F. Dornbracht GmbH & Co. KG --

Signed and Sealed this

Tenth Day of August, 2010

A handwritten signature in black ink that reads "David J. Kappos". The signature is written in a cursive, slightly slanted style.

David J. Kappos
Director of the United States Patent and Trademark Office