



US00D615162S

(12) **United States Design Patent**
Pan

(10) **Patent No.:** **US D615,162 S**

(45) **Date of Patent:** **** May 4, 2010**

(54) **SPIGOT**

(75) Inventor: **Chia-Chen Pan**, Changhua Hsien (TW)

(73) Assignee: **Sheng Tai Brassware Co., Ltd.**,
Changhua Hsien (TW)

(**) Term: **14 Years**

(21) Appl. No.: **29/326,057**

(22) Filed: **Oct. 10, 2008**

(51) **LOC (9) Cl.** **23-02**

(52) **U.S. Cl.** **D23/255**

(58) **Field of Classification Search** D23/238,
D23/241-243, 255-257; 4/675-678; 137/801
See application file for complete search history.

(56) **References Cited**

U.S. PATENT DOCUMENTS

D557,383 S * 12/2007 Garner D23/255
D581,026 S * 11/2008 Citterio D23/255

* cited by examiner

Primary Examiner—Robert A Delehanty

(74) *Attorney, Agent, or Firm*—Burr & Brown

(57) **CLAIM**

The ornamental design for a spigot, as shown.

DESCRIPTION

FIG. 1 is a perspective view of a spigot, showing my new design;

FIG. 2 is a front view thereof;

FIG. 3 is a rear view thereof;

FIG. 4 is a left side view thereof;

FIG. 5 is a right side view thereof;

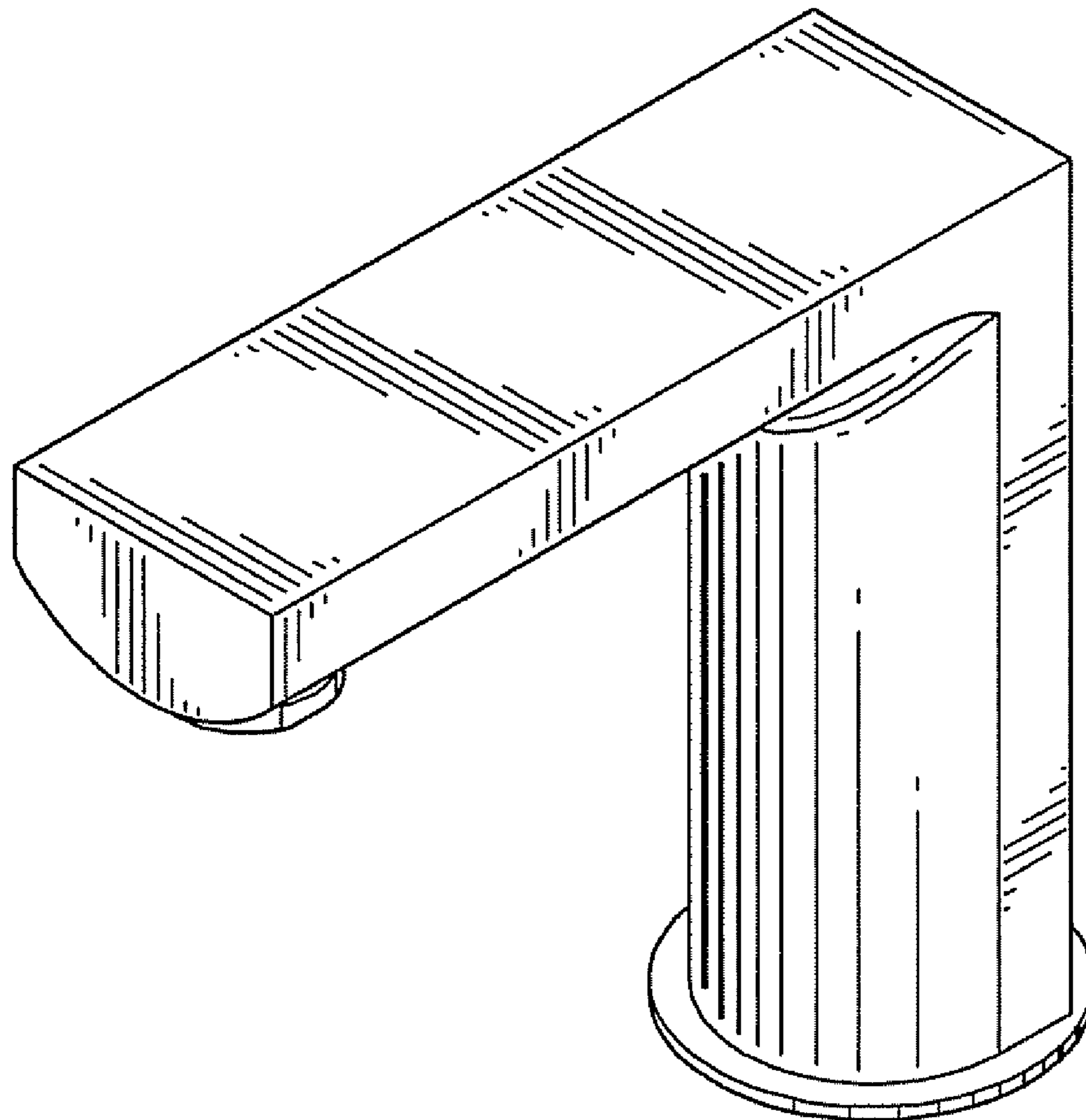
FIG. 6 is a top view thereof;

FIG. 7 is a bottom view thereof, wherein the broken lines are shown for illustrative purposes only and form no part of the claimed design;

FIG. 8 is a perspective view showing a first embodiment of the claimed design, wherein the broken lines are shown for illustrative purposes only and form no part of the claimed design; and,

FIG. 9 is a perspective view showing a second embodiment of the claimed design, wherein the broken lines are shown for illustrative purposes only and form no part of the claimed design.

1 Claim, 6 Drawing Sheets



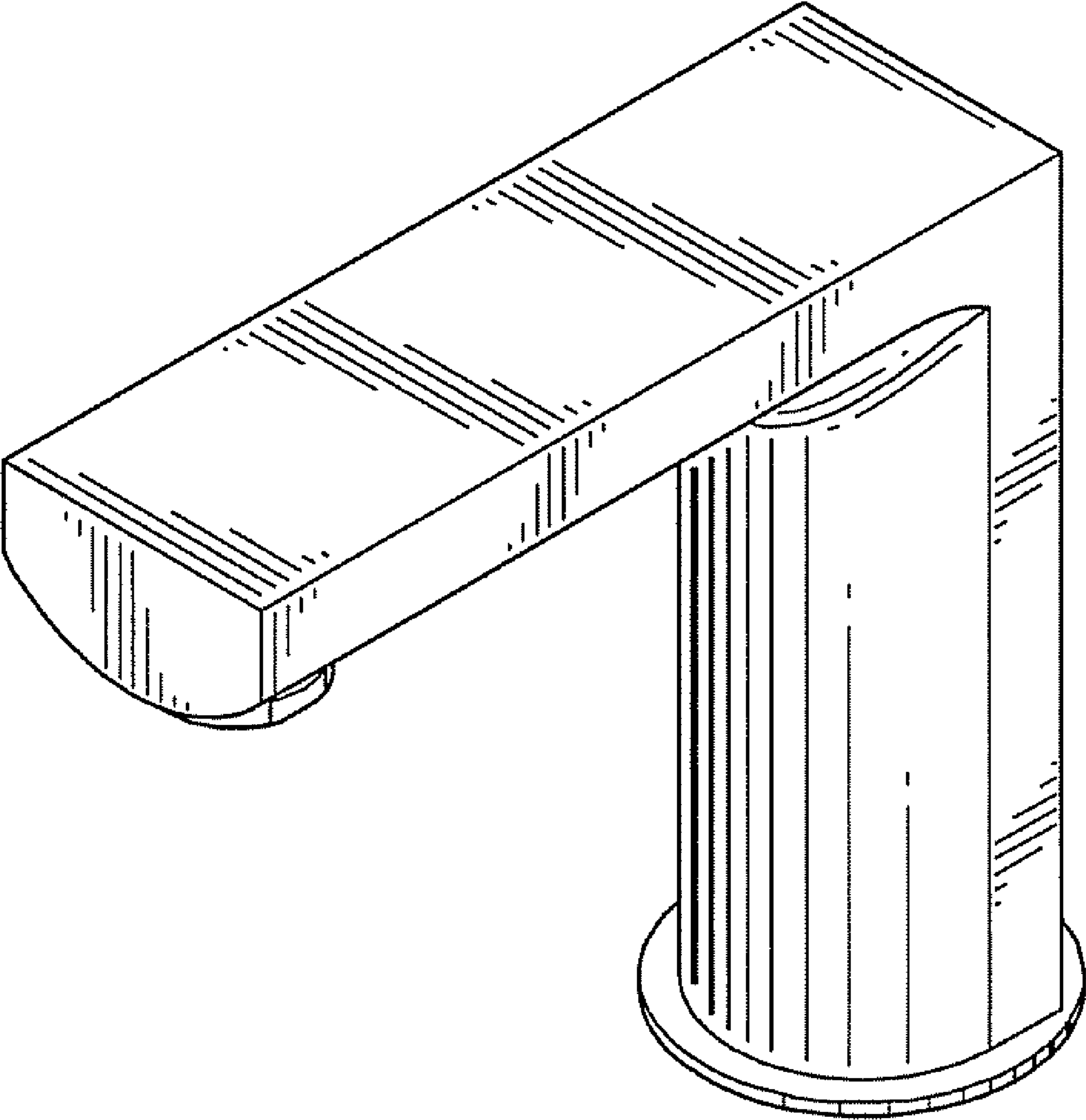


FIG. 1

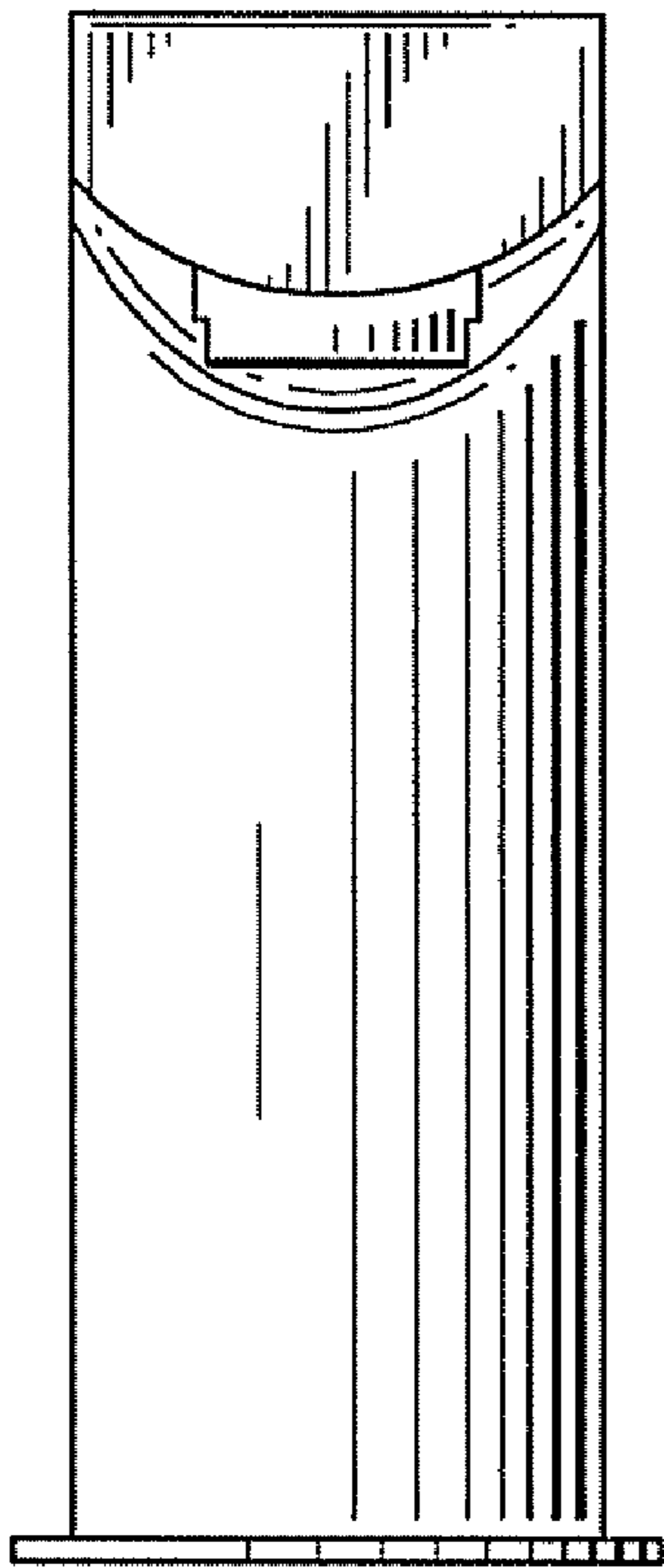


FIG. 2

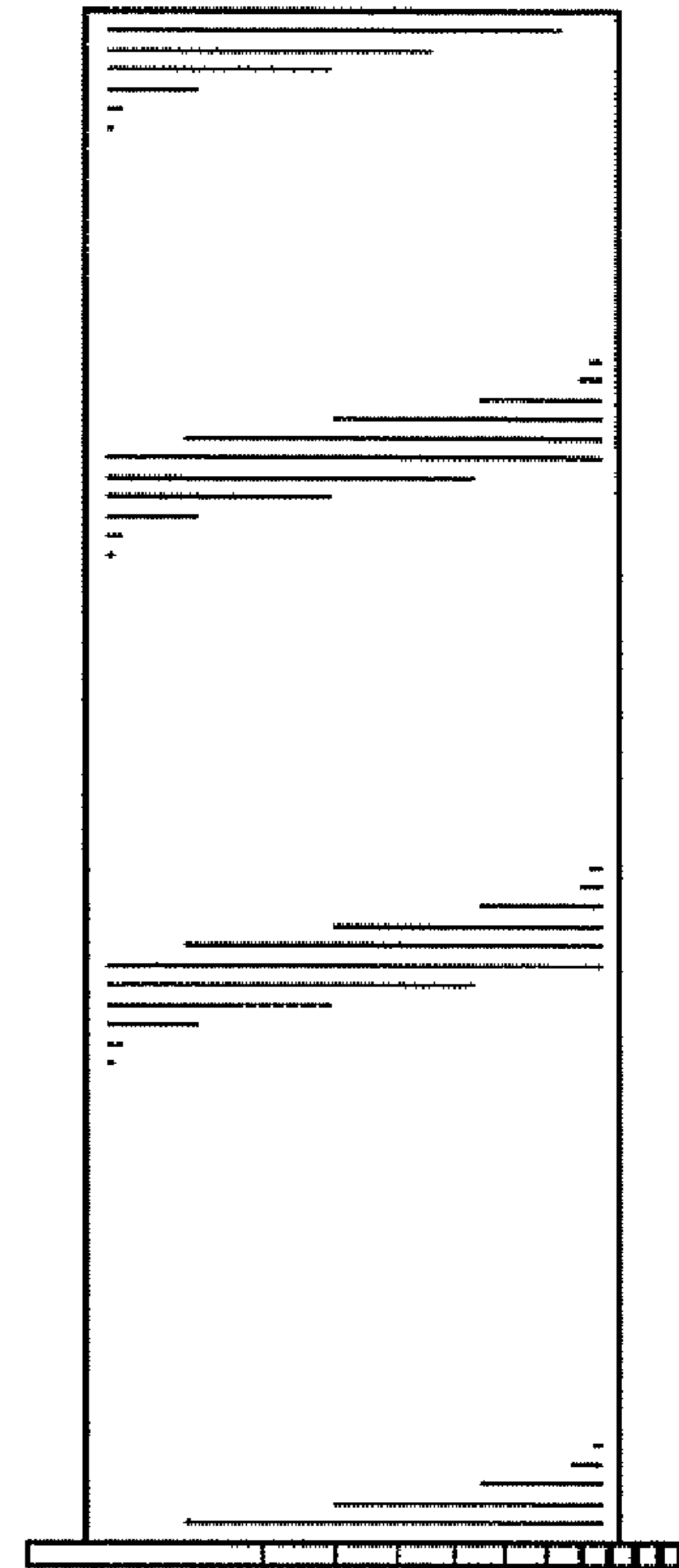


FIG. 3

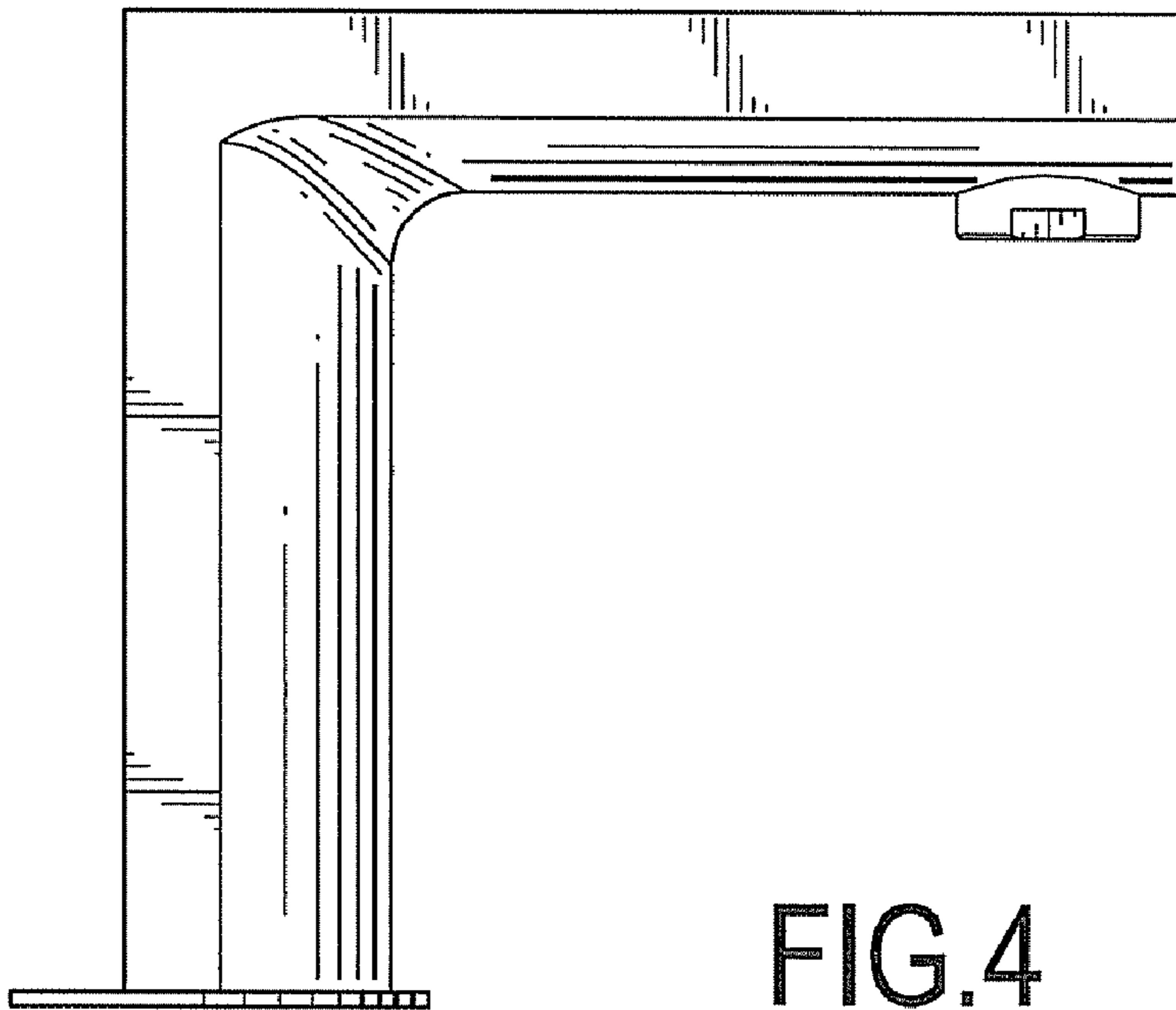


FIG. 4

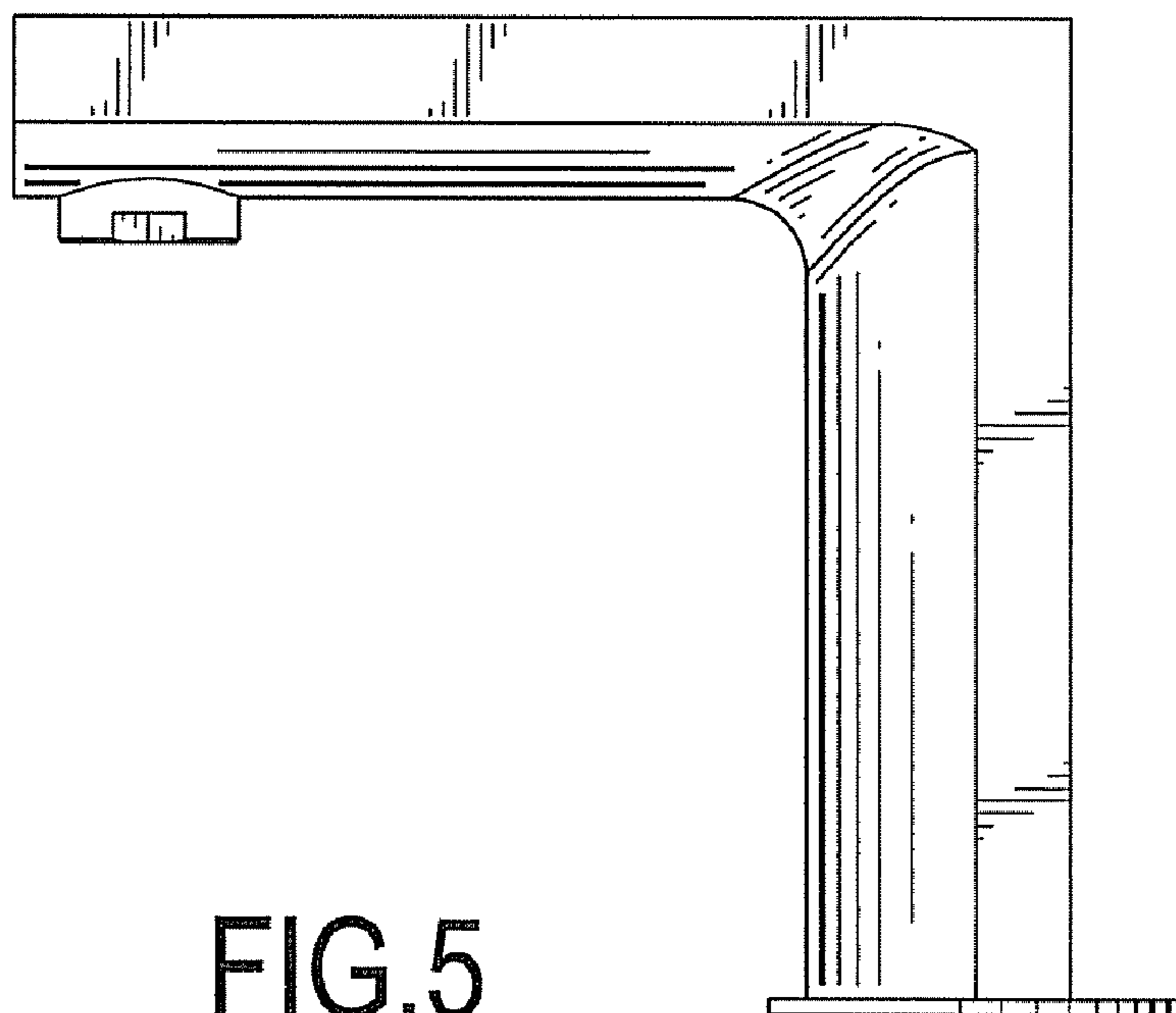


FIG. 5

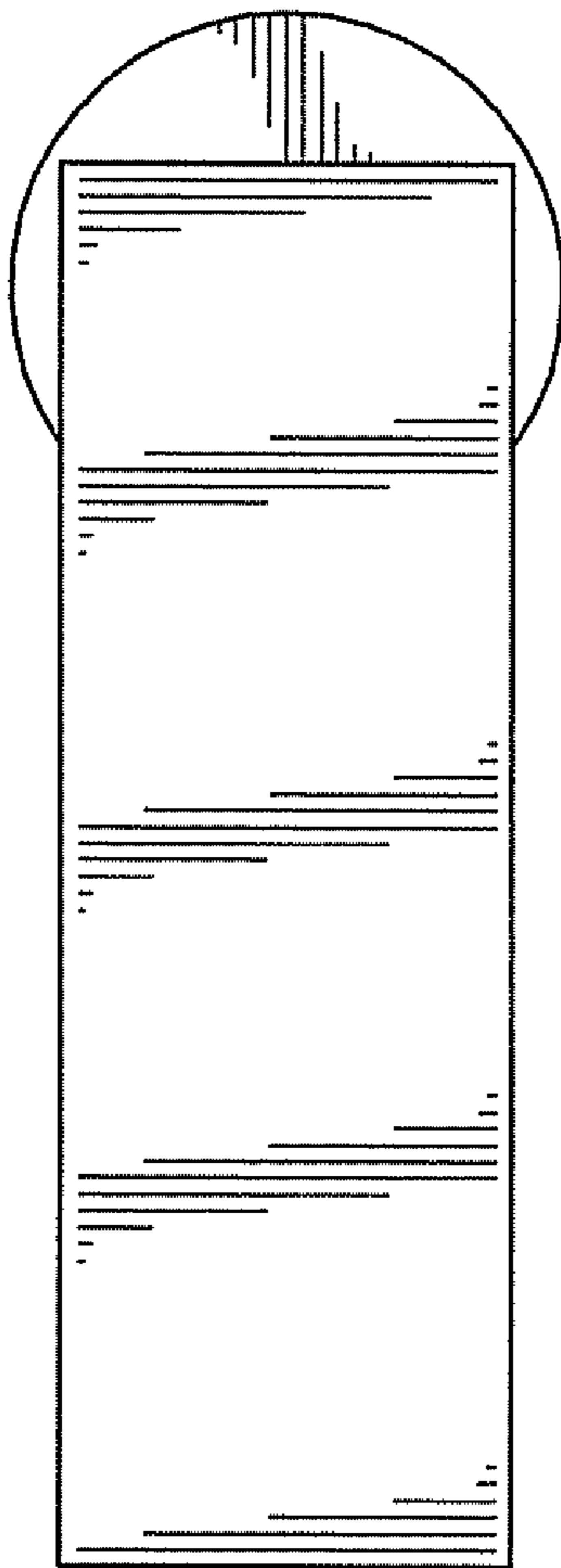


FIG. 6

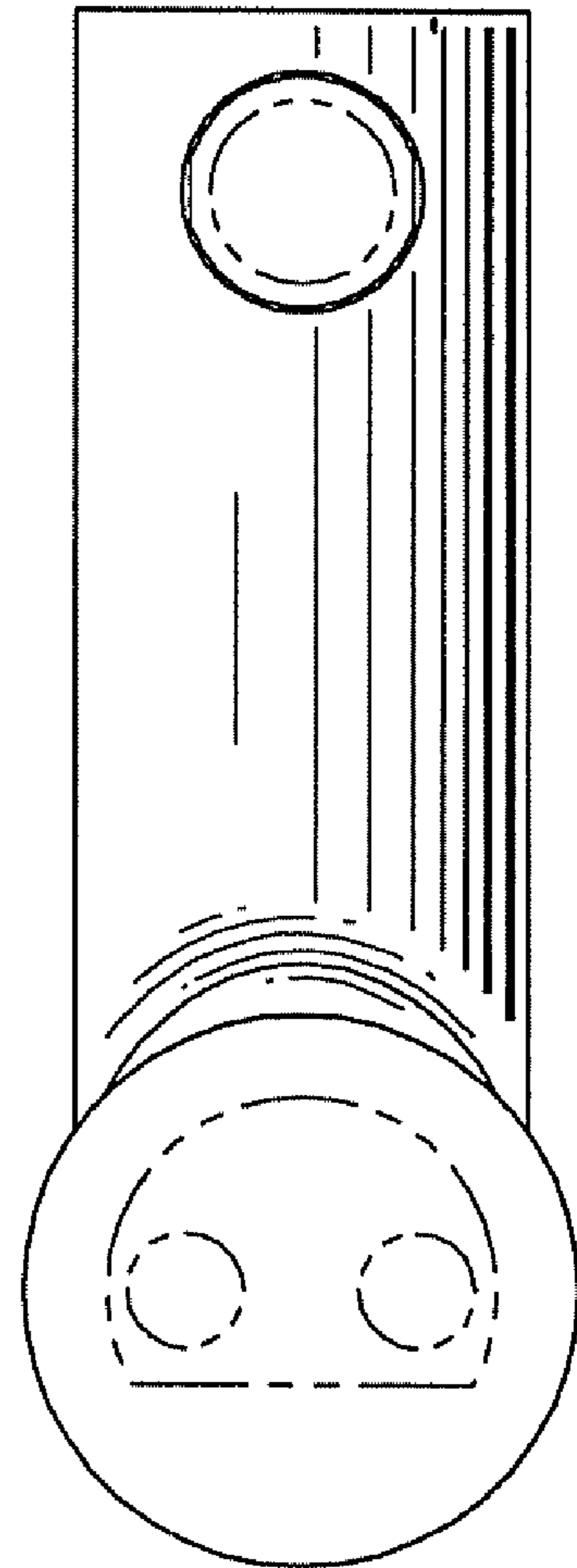


FIG. 7

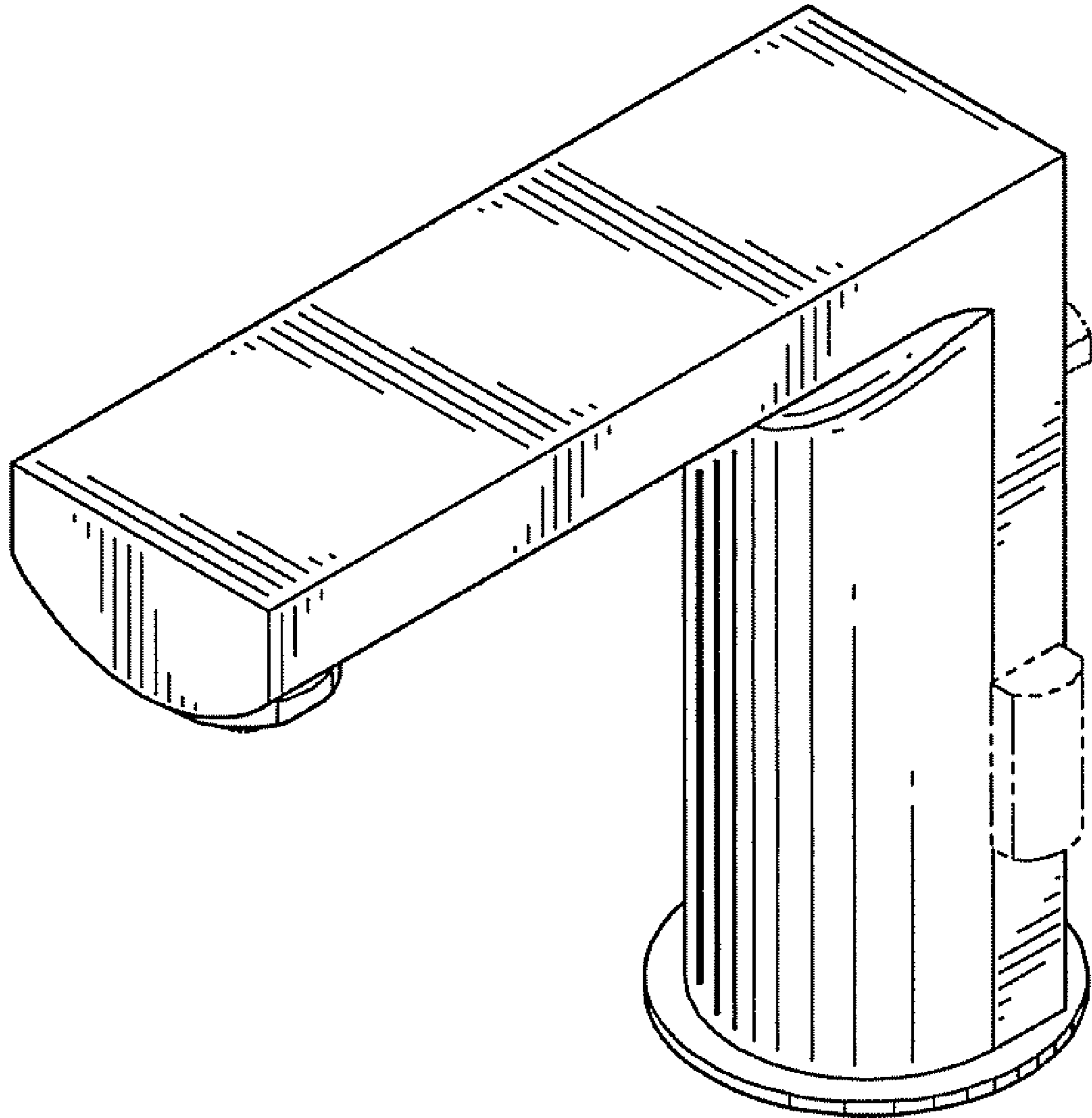


FIG. 8

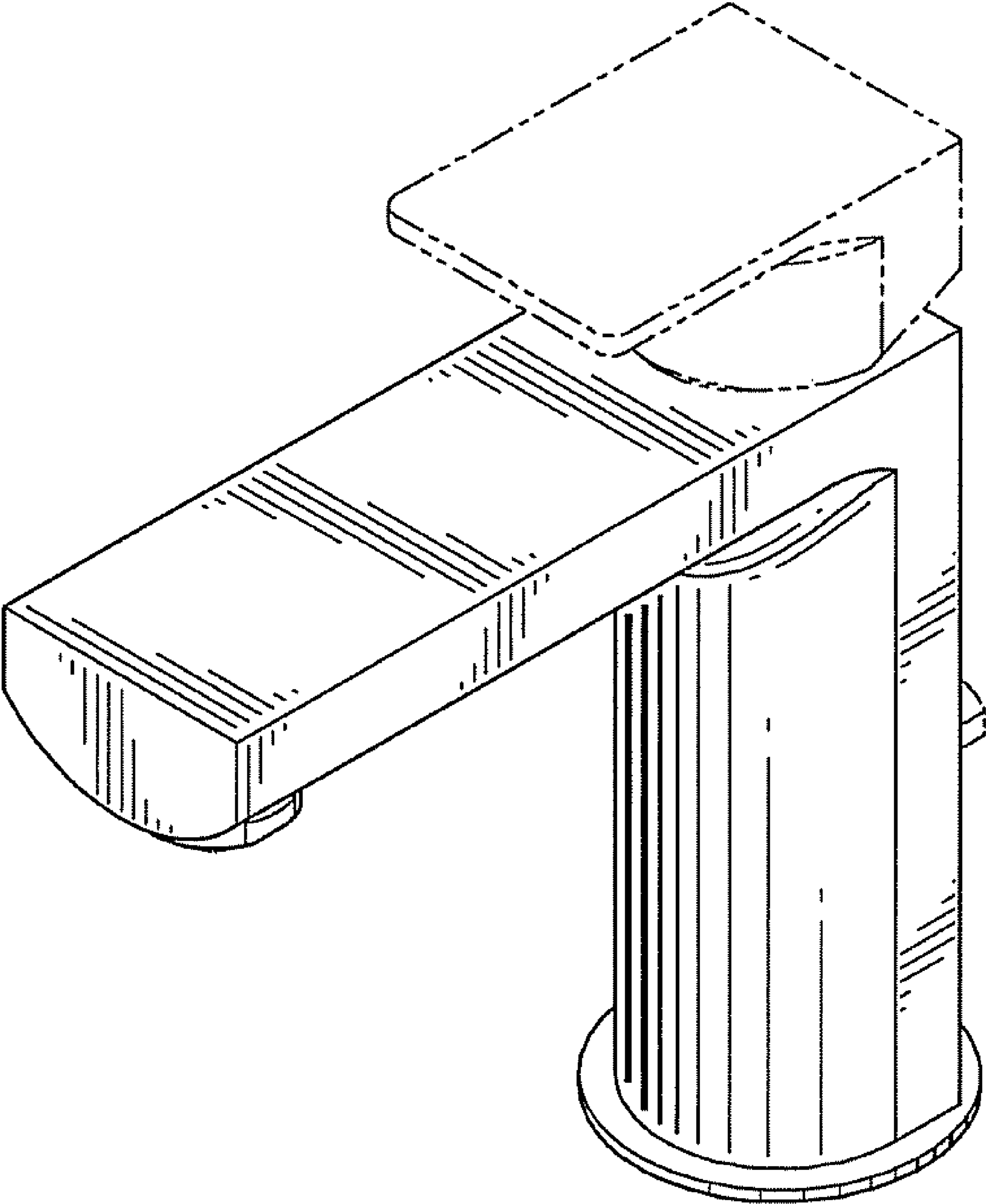


FIG. 9