



US00D615160S

(12) **United States Design Patent**  
**Bouroullec et al.**

(10) **Patent No.:** **US D615,160 S**

(45) **Date of Patent:** **\*\* May 4, 2010**

(54) **FAUCET**

(75) Inventors: **Erwan Bouroullec**, Paris (FR); **Ronan Bouroullec**, Paris (FR)

(73) Assignee: **Hansgrohe AG**, Schiltach (DE)

(\*\*) Term: **14 Years**

(21) Appl. No.: **29/342,192**

(22) Filed: **Aug. 20, 2009**

(30) **Foreign Application Priority Data**

Jun. 3, 2009 (EM) ..... 001101125-0001

(51) **LOC (9) Cl.** ..... **23-01**

(52) **U.S. Cl.** ..... **D23/238**

(58) **Field of Classification Search** ..... D23/200,  
D23/238–257; D6/512, 546, 550; D8/300,  
D8/307–308, 310–312, 321; 4/675–678;  
137/801; 16/110.1, 441

See application file for complete search history.

(56) **References Cited**

**U.S. PATENT DOCUMENTS**

D331,276 S *	11/1992	Knapp	.....	D23/238
D443,337 S *	6/2001	Mark et al.	.....	D23/238
D468,397 S *	1/2003	Czerwinski, Jr.	.....	D23/238
D470,224 S *	2/2003	Hanna	.....	D23/238
D487,798 S *	3/2004	Bayer	.....	D23/238
D499,795 S *	12/2004	Bayer	.....	D23/238
D528,634 S *	9/2006	Nadler et al.	.....	D23/238
D531,698 S *	11/2006	Wood et al.	.....	D23/238
D532,483 S *	11/2006	Lobermeier et al.	.....	D23/238
D532,868 S *	11/2006	Spangler et al.	.....	D23/238
D532,869 S *	11/2006	Lobermeier et al.	.....	D23/238
D537,146 S *	2/2007	Hanna	.....	D23/238
D540,434 S *	4/2007	Chu et al.	.....	D23/238
D540,911 S *	4/2007	Citterio	.....	D23/238

D541,384 S *	4/2007	Citterio	.....	D23/249
D567,909 S *	4/2008	Schonherr et al.	.....	D23/238
D574,063 S *	7/2008	Tsai	.....	D23/255
D574,469 S *	8/2008	Soriano	.....	D23/255
D575,848 S *	8/2008	Kirar	.....	D23/238
D581,031 S *	11/2008	Sedwick	.....	D23/255
D582,518 S *	12/2008	Flowers et al.	.....	D23/238
D594,934 S *	6/2009	Vu et al.	.....	D23/238

**OTHER PUBLICATIONS**

Brochure—Orizzonti d'acqua, 3 pgs., Fiore Rubinetterie S.p.a., Borgomonero, Italy (at least as early as Apr. 10, 2003).

Brochure—Nextage, 3 pgs., Geda s.r.l., Porcia, Italy (at least as early as Oct. 2, 2007).

Brochure—Anteprima 2005, 3 pgs., Fantini Rubinetti, Pella, Italy (at least as early as Sep. 28, 2004).

\* cited by examiner

*Primary Examiner*—T. Chase Nelson

*Assistant Examiner*—Mark Cavanna

(74) *Attorney, Agent, or Firm*—Nirav D. Parikh; Edgar A. Zarins

(57) **CLAIM**

The ornamental design for a faucet, as shown and described.

**DESCRIPTION**

FIG. 1 is a perspective view of a faucet showing our design;

FIG. 2 is a front elevational view thereof;

FIG. 3 is a rear elevational view thereof;

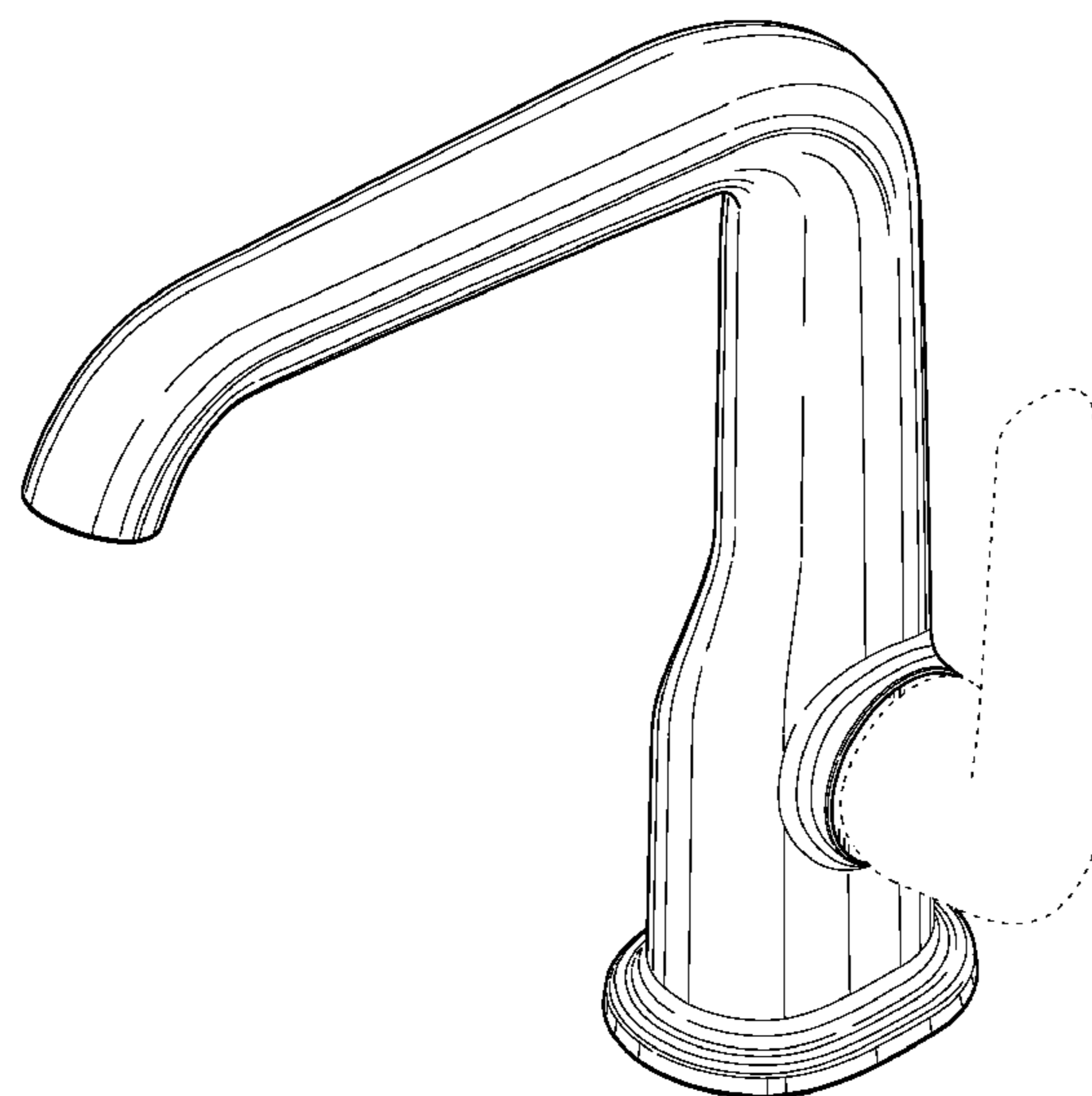
FIG. 4 is a left side elevational view thereof;

FIG. 5 is a right side elevational view thereof; and,

FIG. 6 is a top plan view thereof.

The broken lines in the drawings represent unclaimed portions of the faucet and form no part thereof.

**1 Claim, 6 Drawing Sheets**



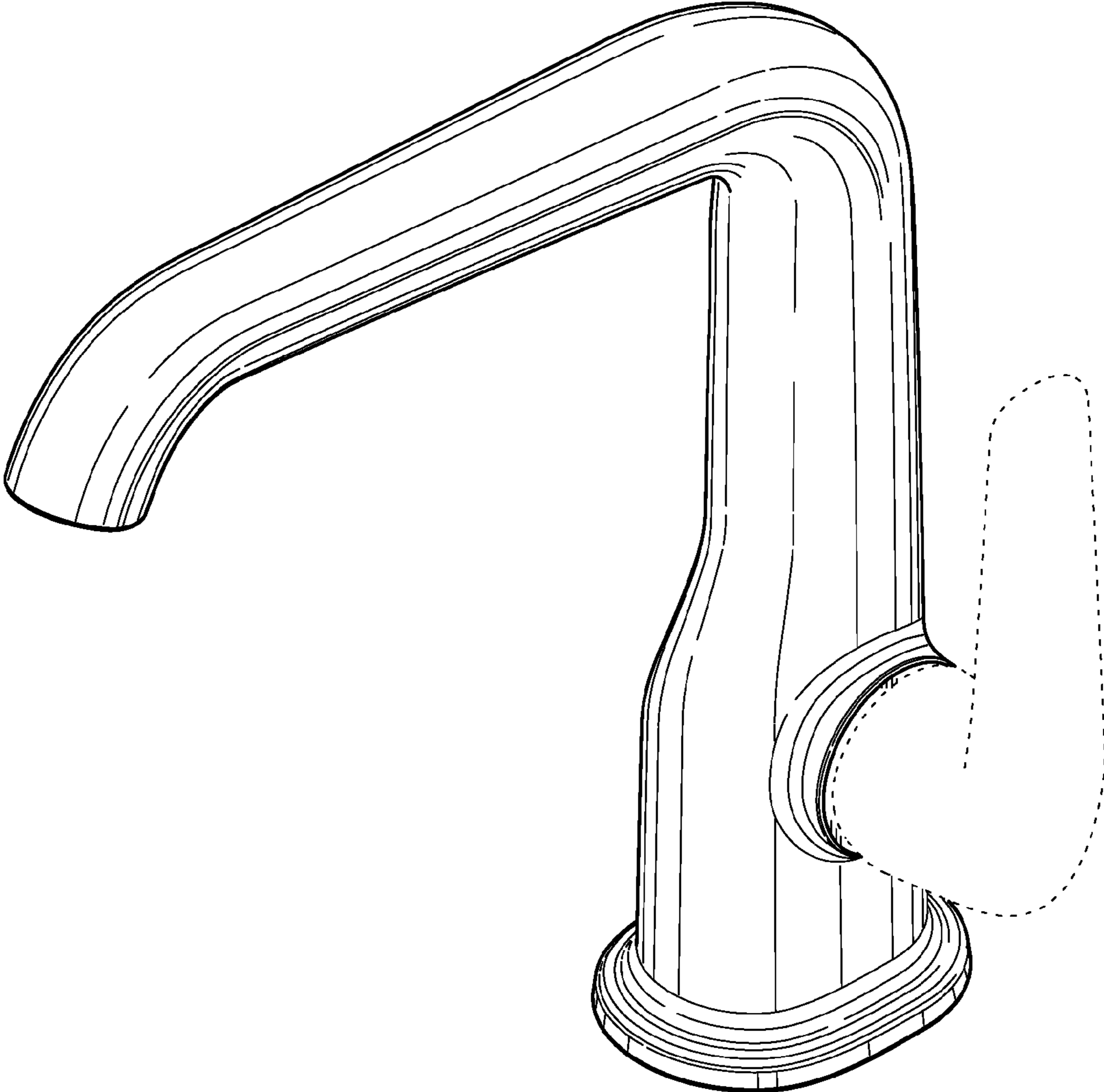


FIG. 1

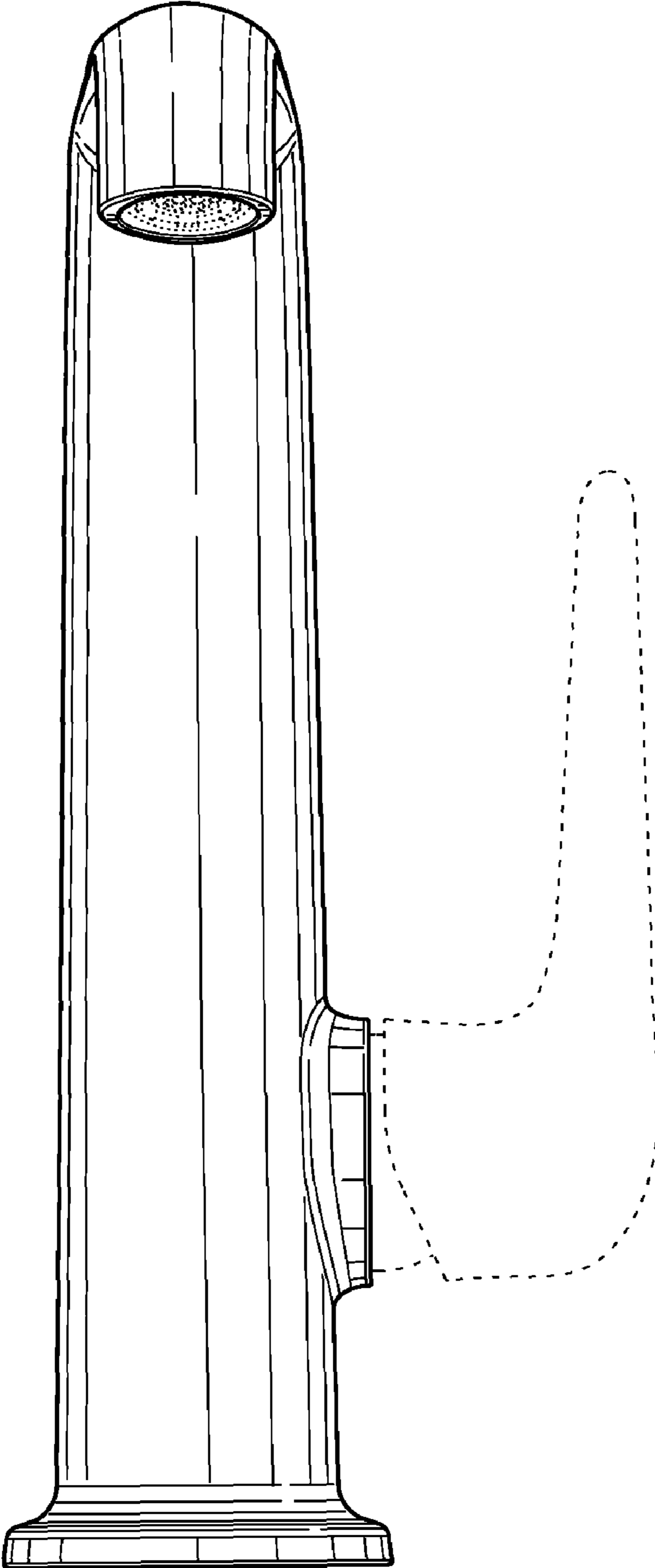


FIG. 2

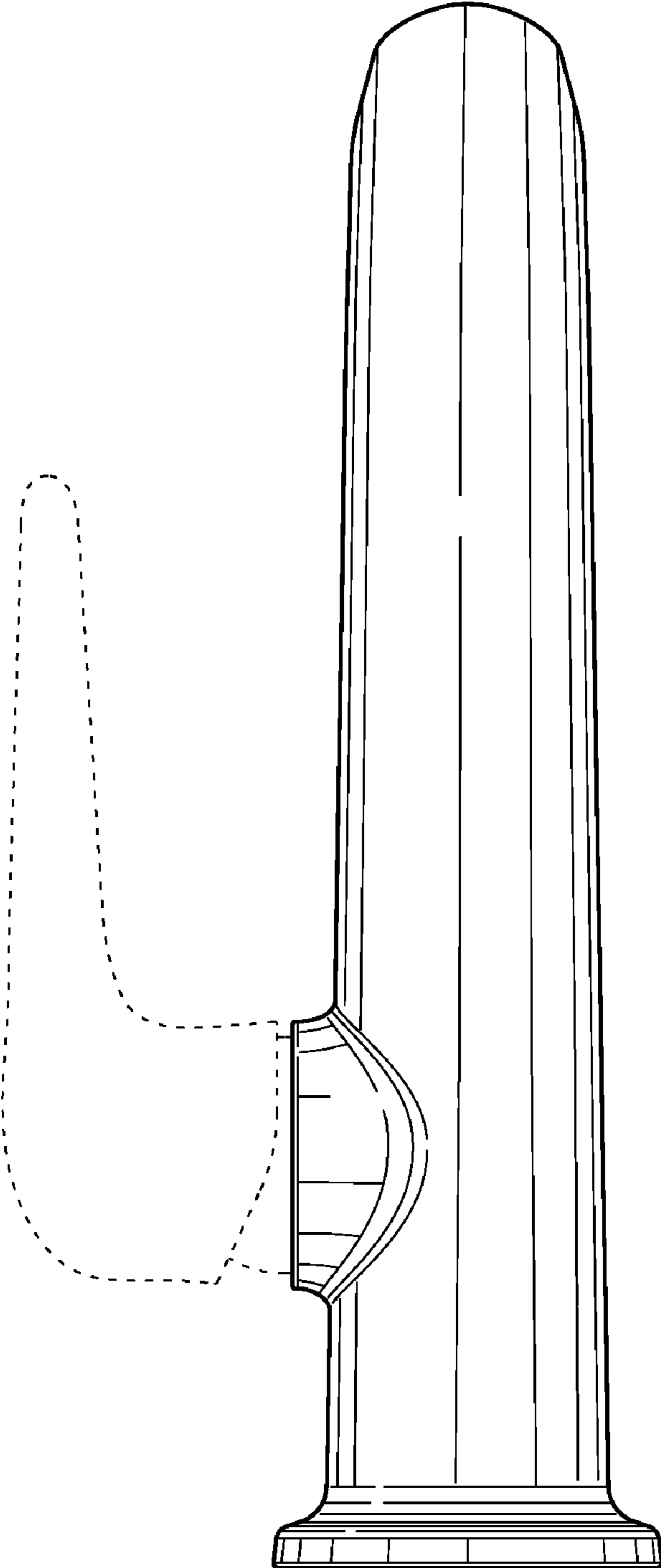


FIG. 3

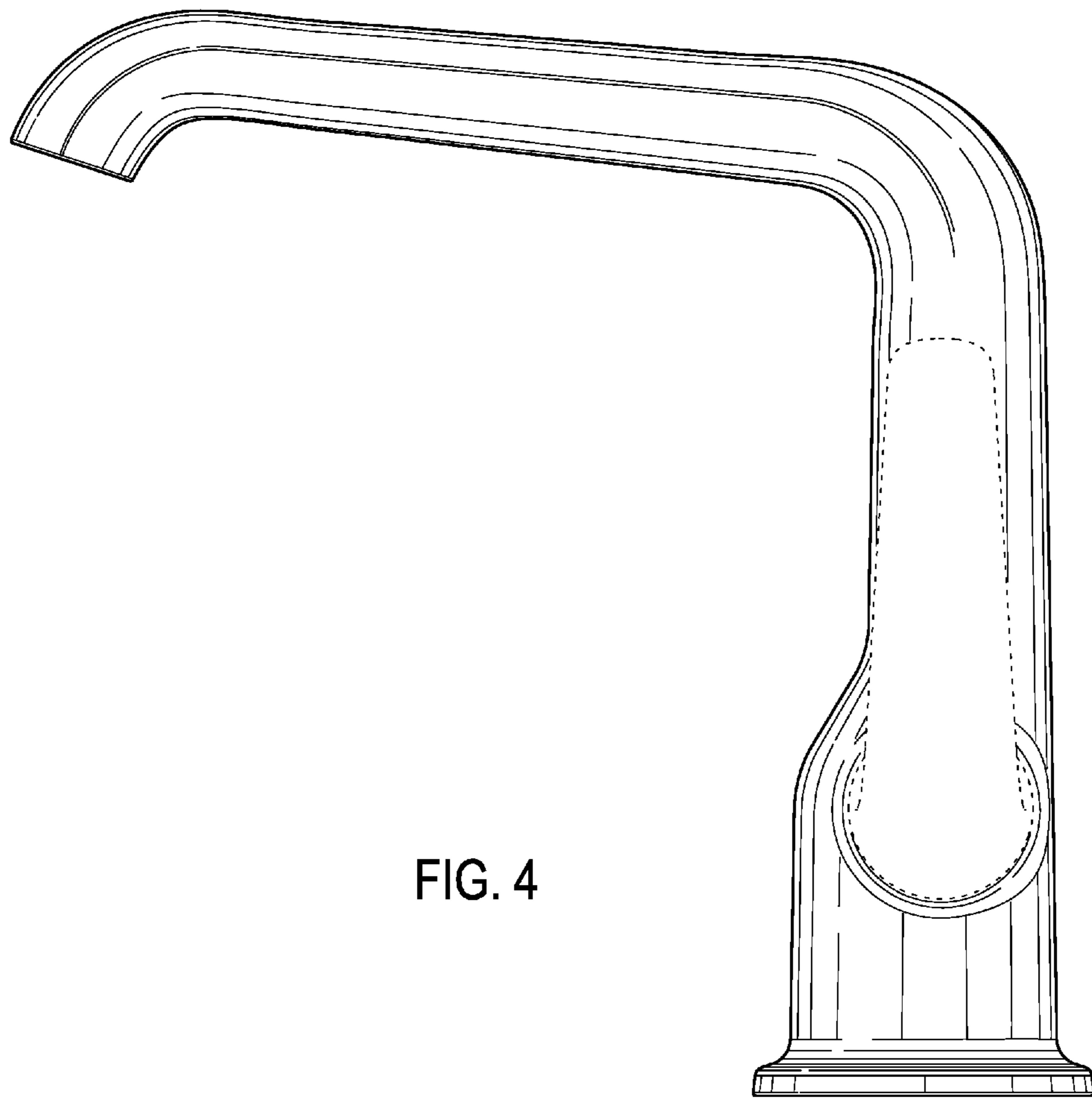


FIG. 4

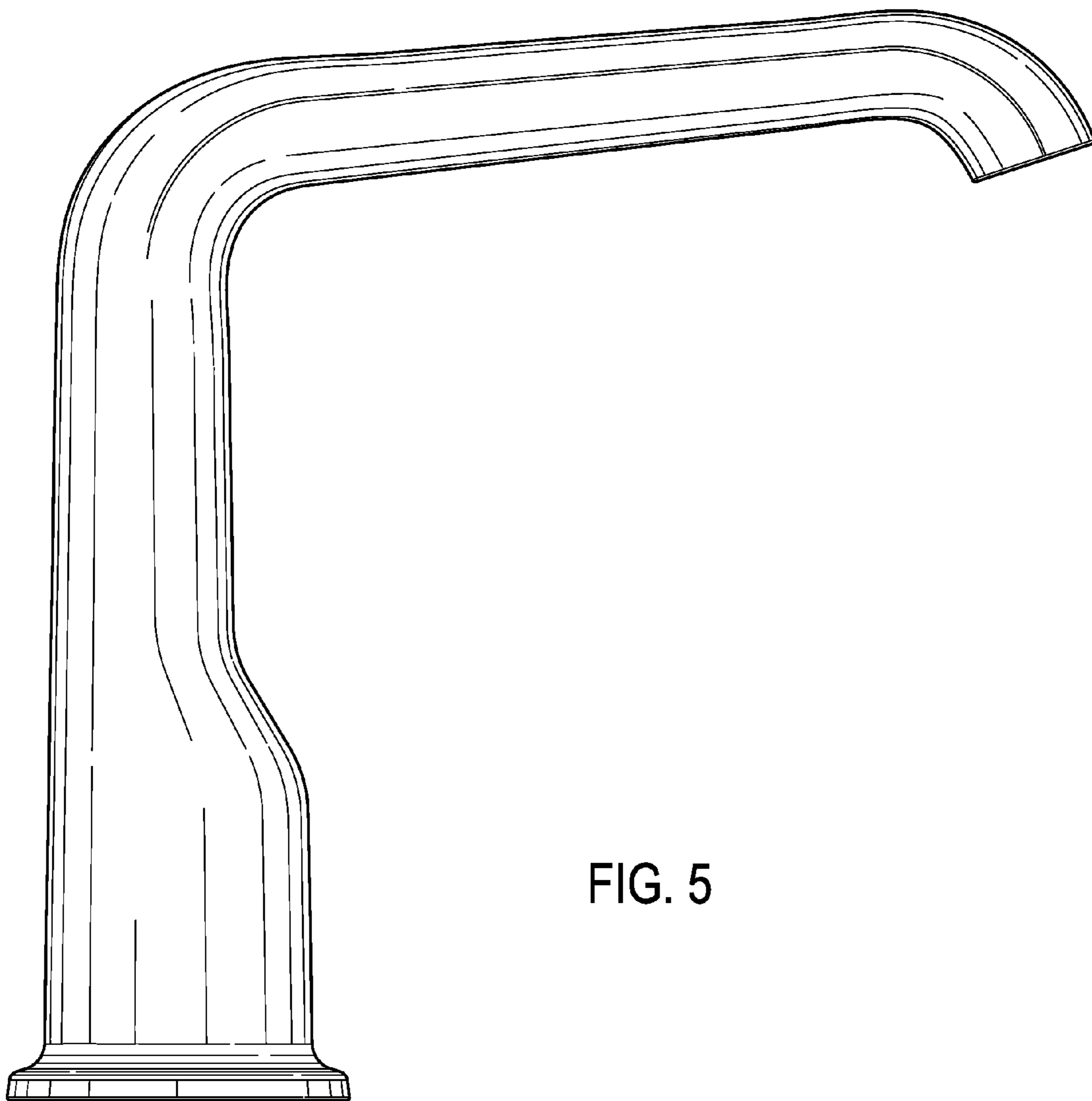


FIG. 5

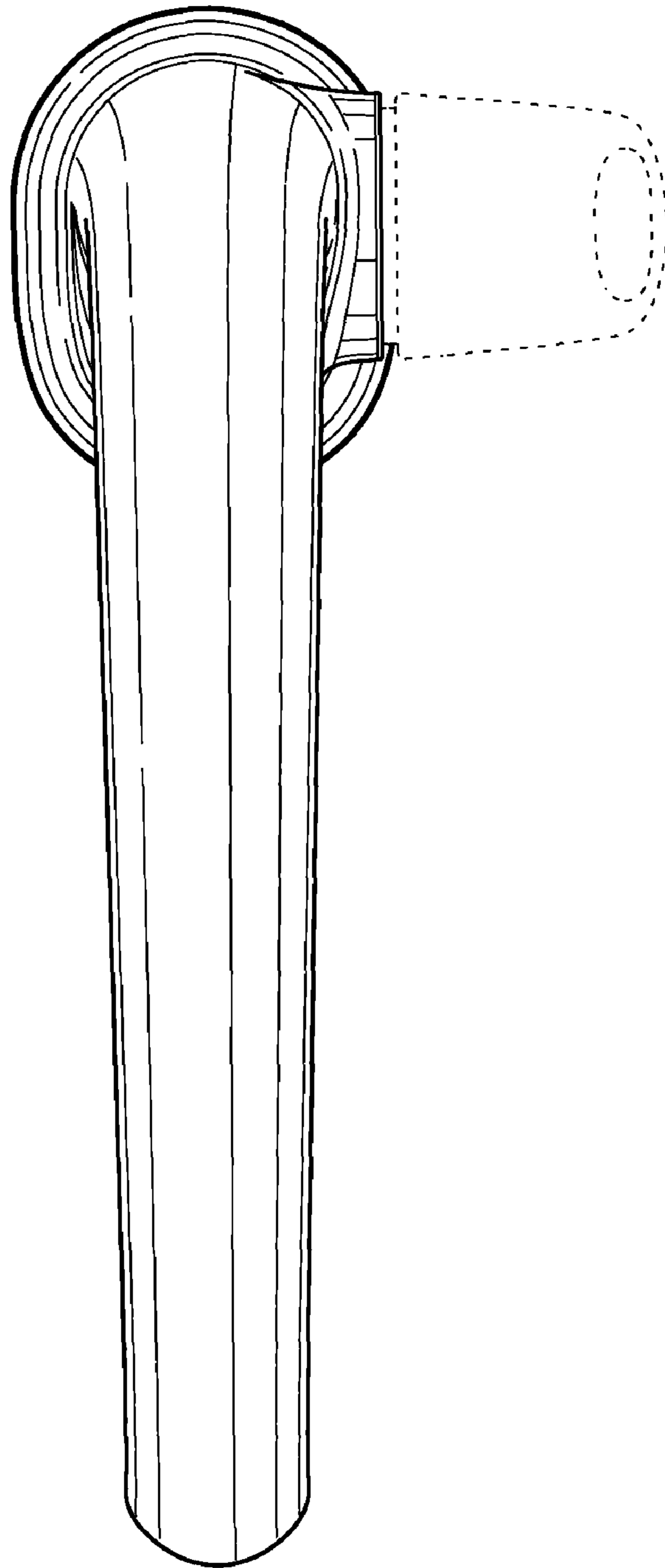


FIG. 6