



US00D615159S

(12) **United States Design Patent**  
**Suzuki**

(10) **Patent No.:** **US D615,159 S**

(45) **Date of Patent:** **\*\* May 4, 2010**

(54) **MIXING FAUCET**

(75) Inventor: **Edward Suzuki**, Tokyo (JP)

(73) Assignee: **San-Ei Faucet Mfg. Co., Ltd.** (JP)

(\*\*) Term: **14 Years**

(21) Appl. No.: **29/335,230**

(22) Filed: **Apr. 10, 2009**

(30) **Foreign Application Priority Data**

Oct. 16, 2008 (JP) ..... 2008-026602

(51) **LOC (9) Cl.** ..... **23-01**

(52) **U.S. Cl.** ..... **D23/238**

(58) **Field of Classification Search** ..... D23/200,  
D23/238-257; D6/512, 546, 550; D8/300,  
D8/307-308, 310-312, 321; 4/675-678;  
137/801; 16/110.1, 441

See application file for complete search history.

(56) **References Cited**

**U.S. PATENT DOCUMENTS**

D299,851 S \* 2/1989 Rademacher ..... D23/241  
D302,581 S \* 8/1989 Ramsey et al. .... D23/238  
D315,398 S \* 3/1991 Strignano ..... D23/241  
D321,038 S \* 10/1991 Delepine ..... D23/238  
D321,398 S \* 11/1991 Joerger ..... D23/241  
D321,553 S 11/1991 Delepine  
D327,118 S \* 6/1992 Rodstein ..... D23/242

D330,935 S 11/1992 Delepine  
D424,171 S \* 5/2000 Fabian ..... D23/238  
D492,387 S 6/2004 Pohl et al.  
D511,814 S \* 11/2005 Wei ..... D23/238  
D580,524 S 11/2008 Starck  
D586,429 S \* 2/2009 Fritz ..... D23/238  
D594,532 S \* 6/2009 Schoenherr et al. .... D23/238

\* cited by examiner

*Primary Examiner*—T. Chase Nelson

*Assistant Examiner*—Mark Cavanna

(74) *Attorney, Agent, or Firm*—DLA Piper LLP (US)

(57) **CLAIM**

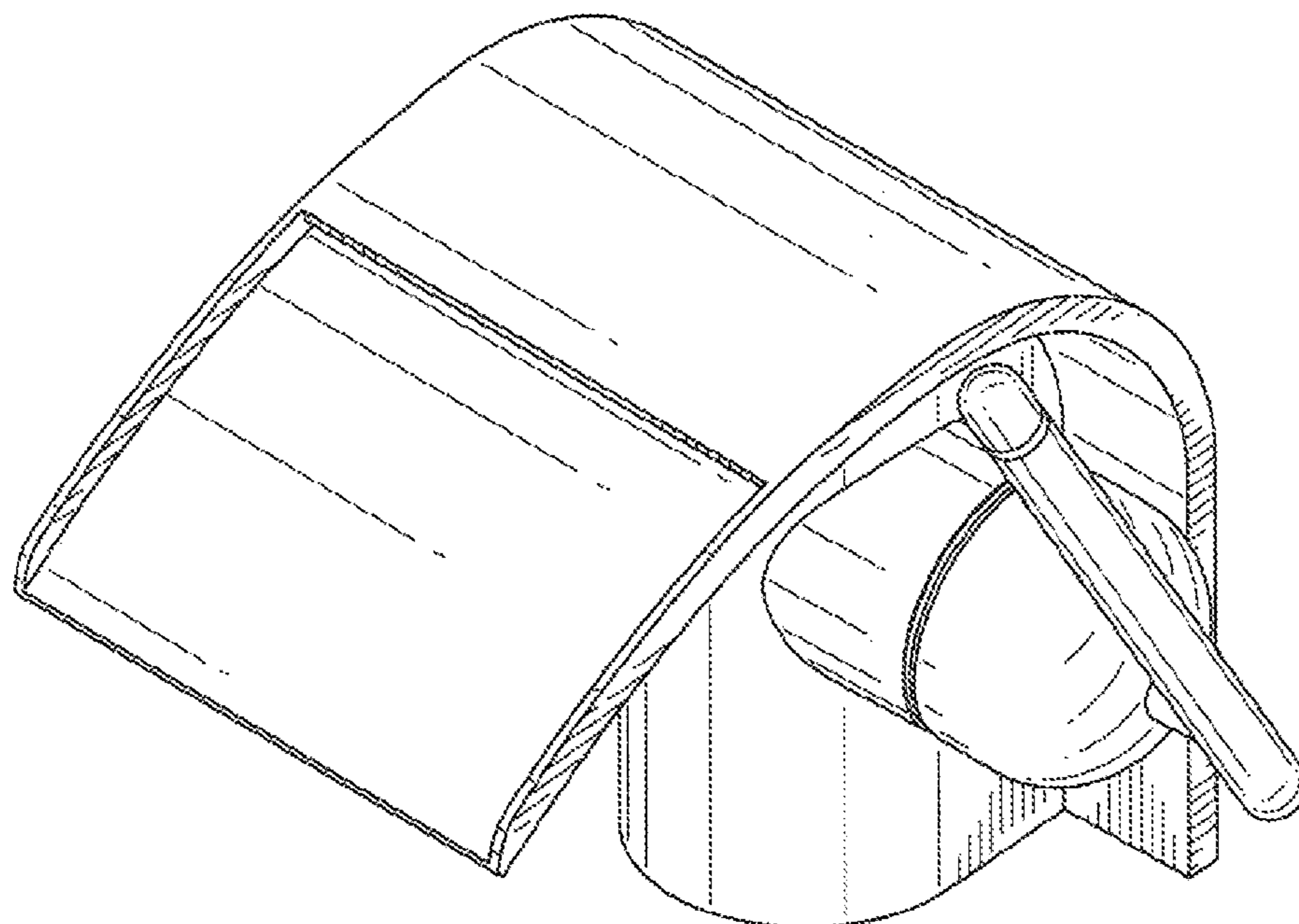
The ornamental design for a mixing faucet, as shown and described.

**DESCRIPTION**

FIG. 1 shows a front view of a mixing faucet;  
FIG. 2 shows a back view of a mixing faucet;  
FIG. 3 shows a top plan view of a mixing faucet;  
FIG. 4 shows a bottom view of a mixing faucet;  
FIG. 5 shows a right side view of a mixing faucet;  
FIG. 6 shows a left side view of a mixing faucet; and,  
FIG. 7 shows a perspective view of a mixing faucet.

The broken lines shown are included for the purpose of illustrating portions of the mixing faucet that form no part of the claimed design.

**1 Claim, 4 Drawing Sheets**



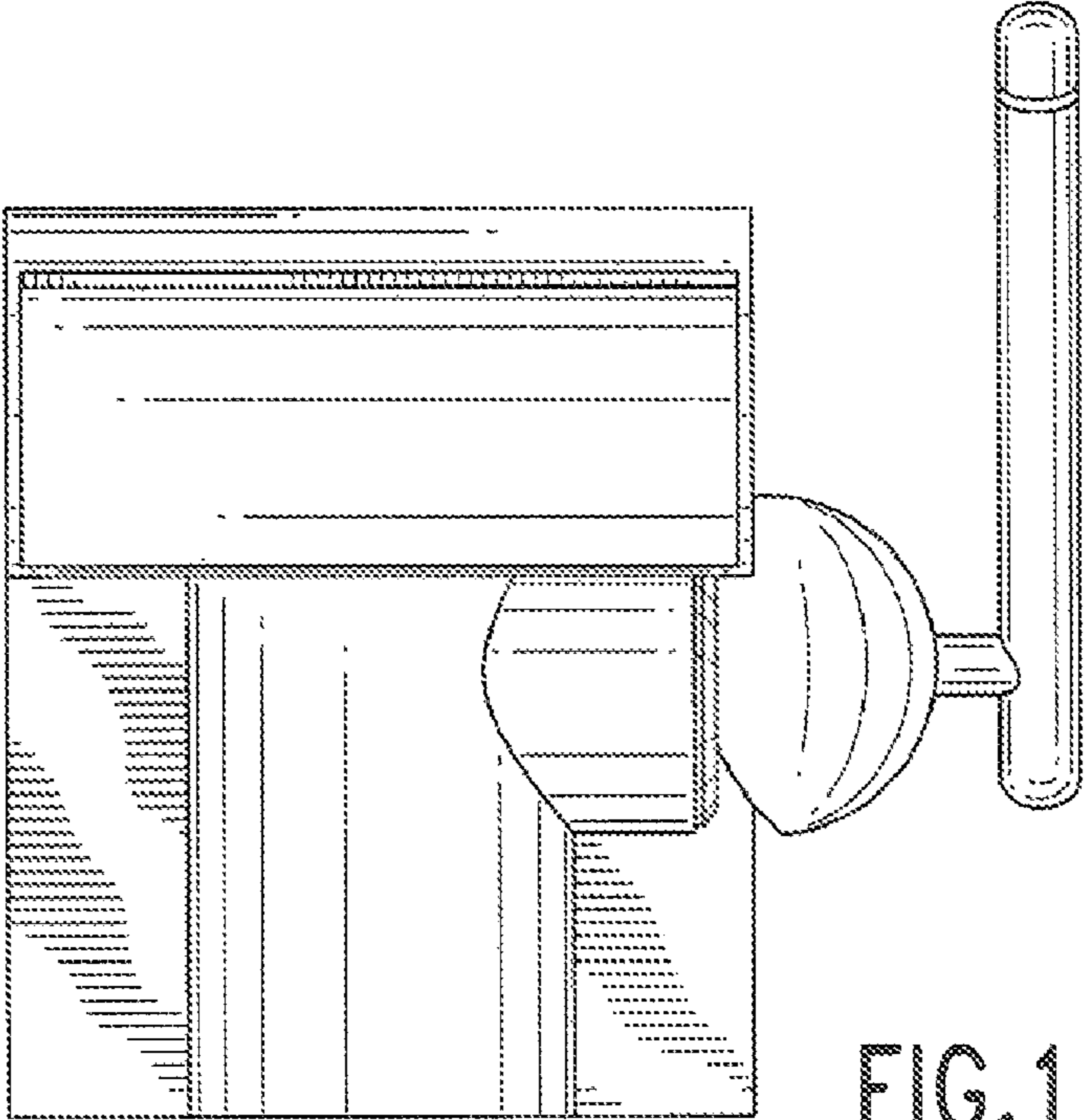


FIG. 1

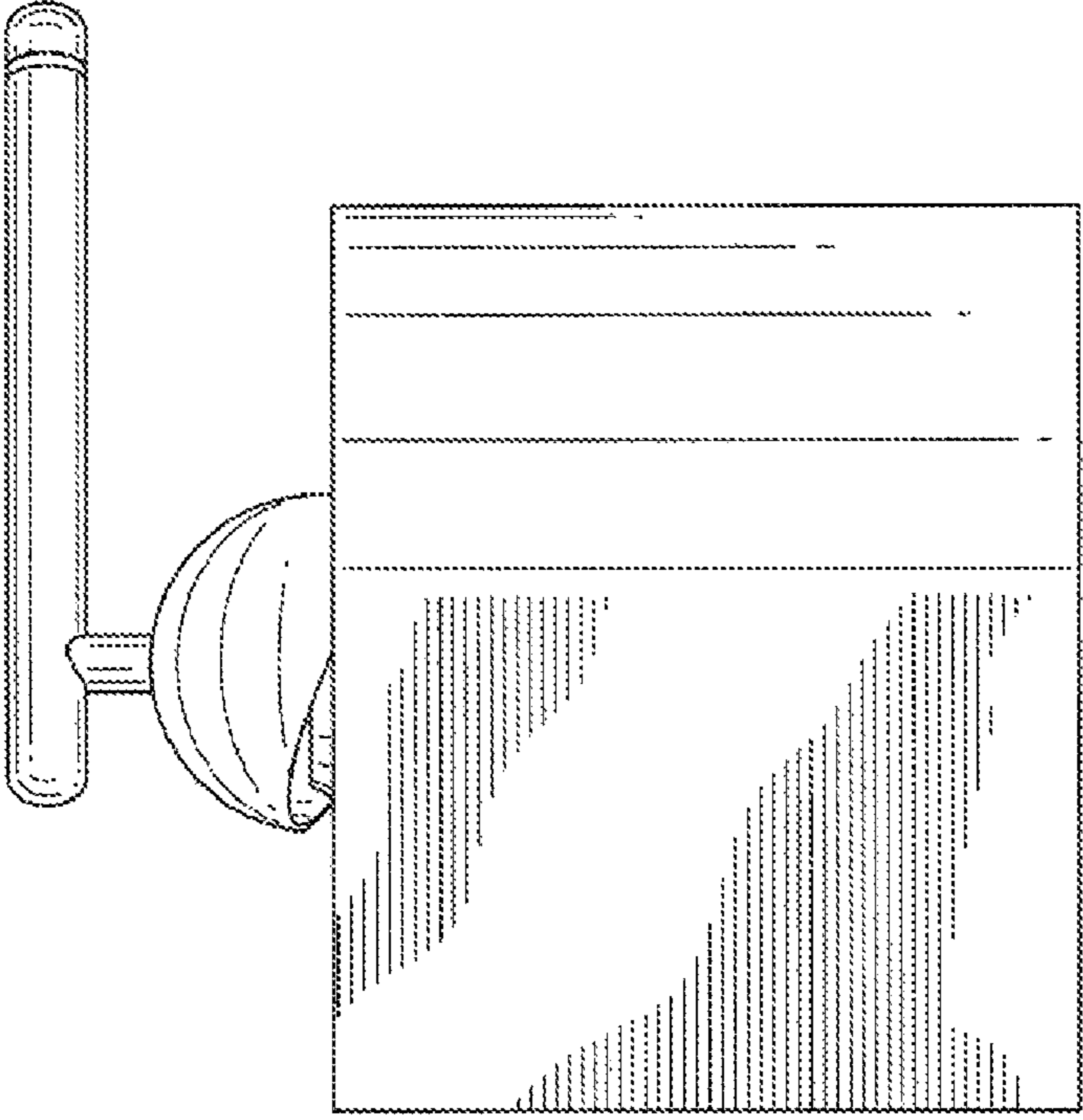


FIG. 2

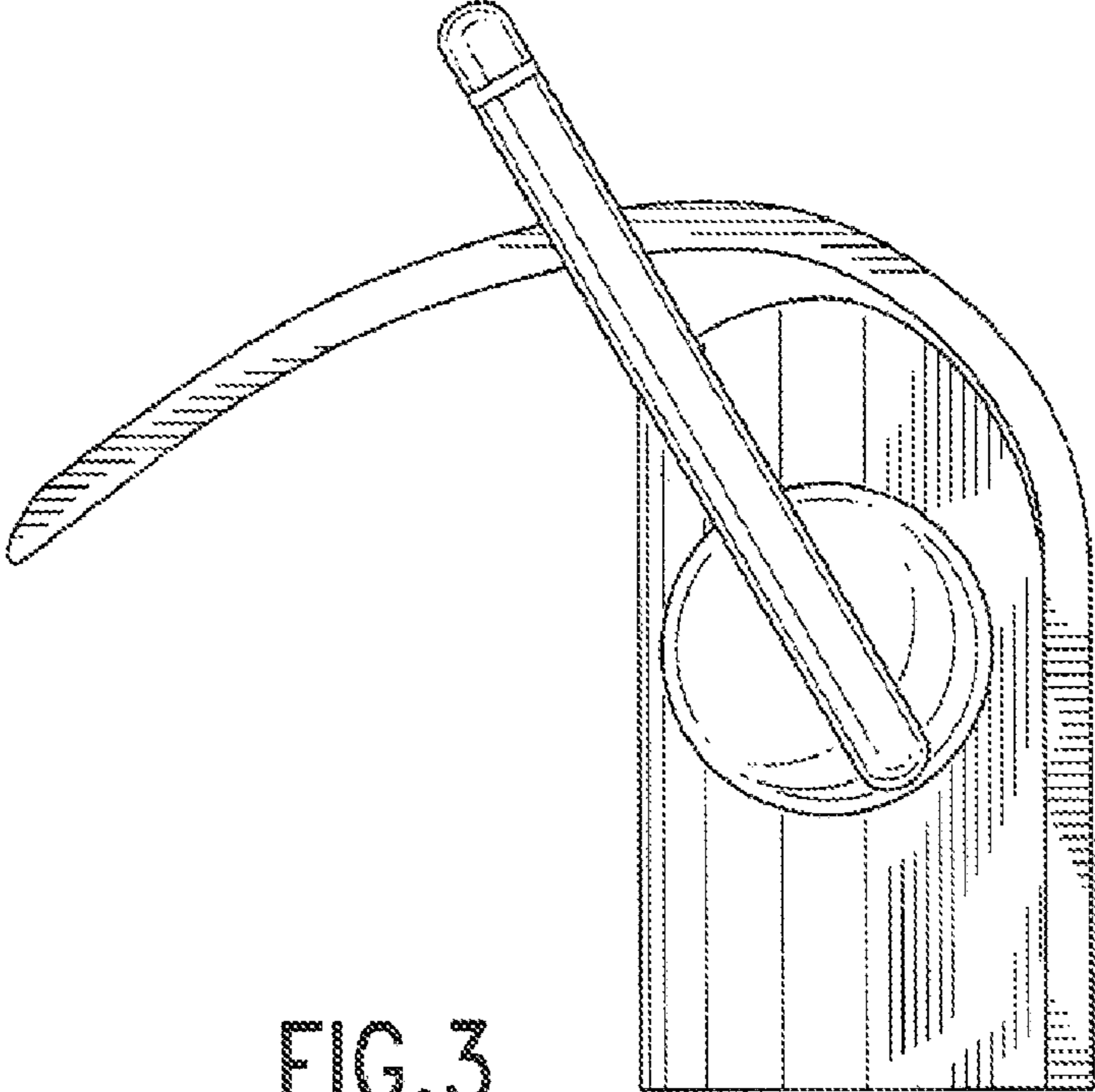


FIG. 3

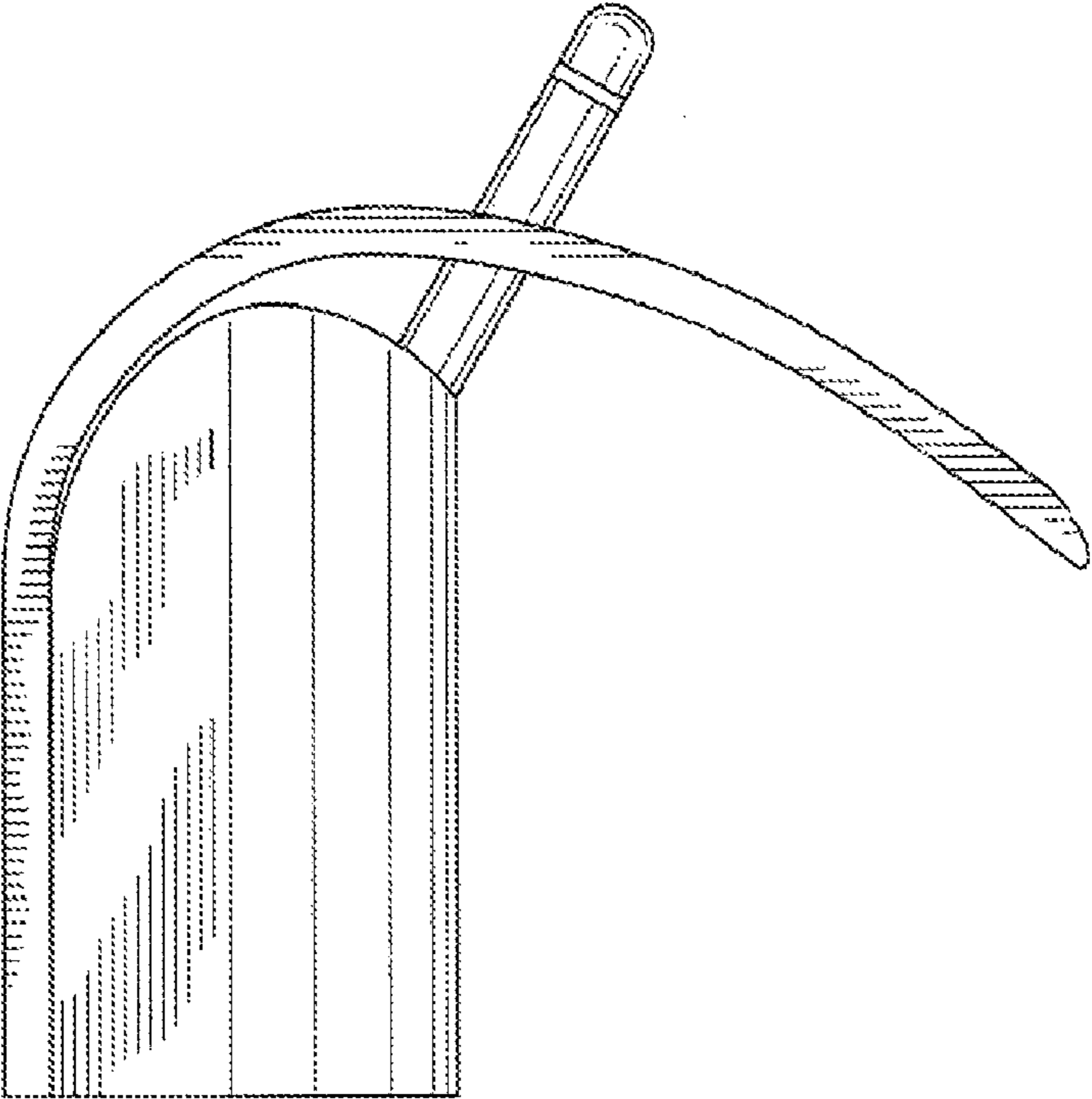


FIG. 4

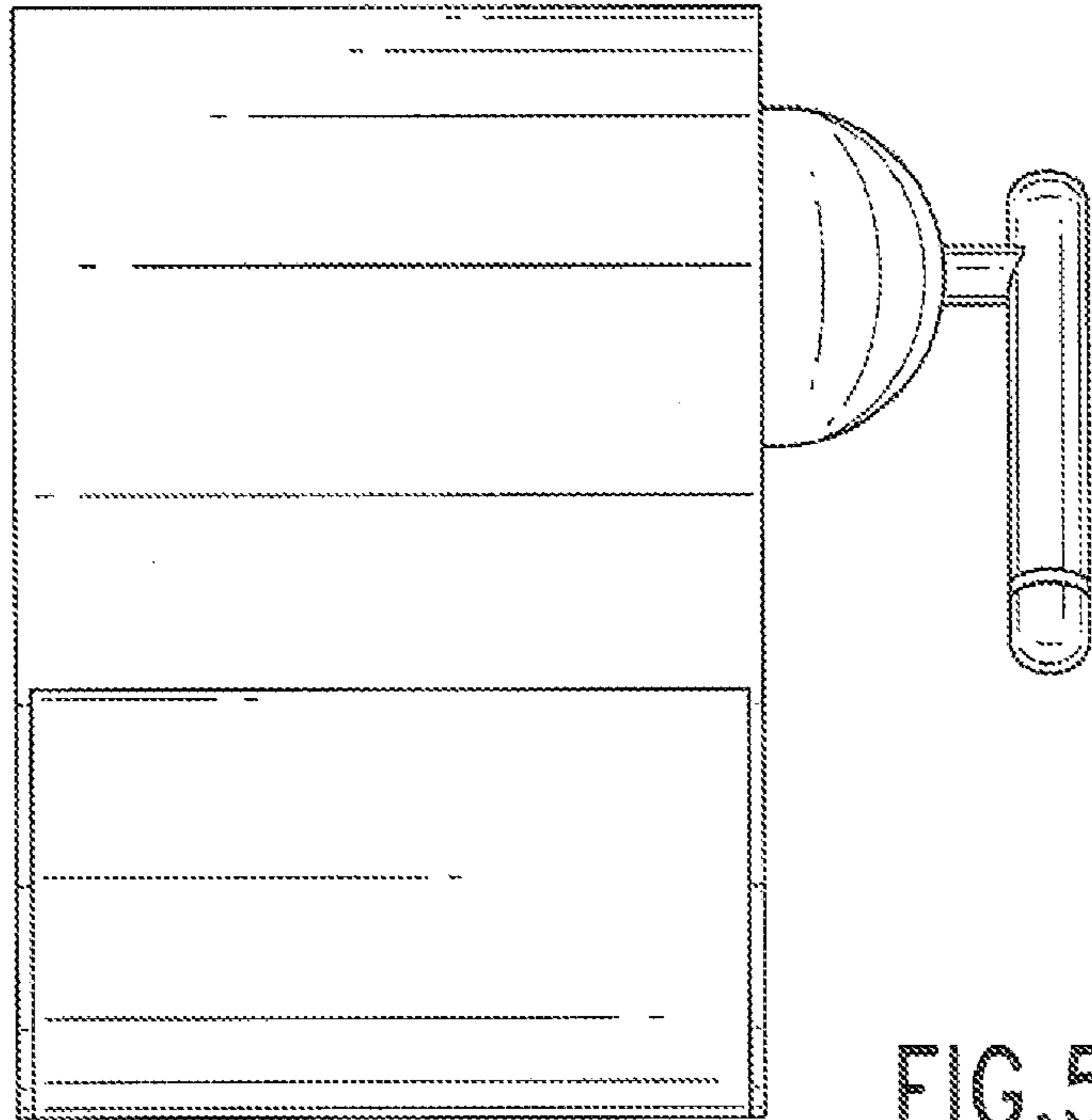


FIG. 5

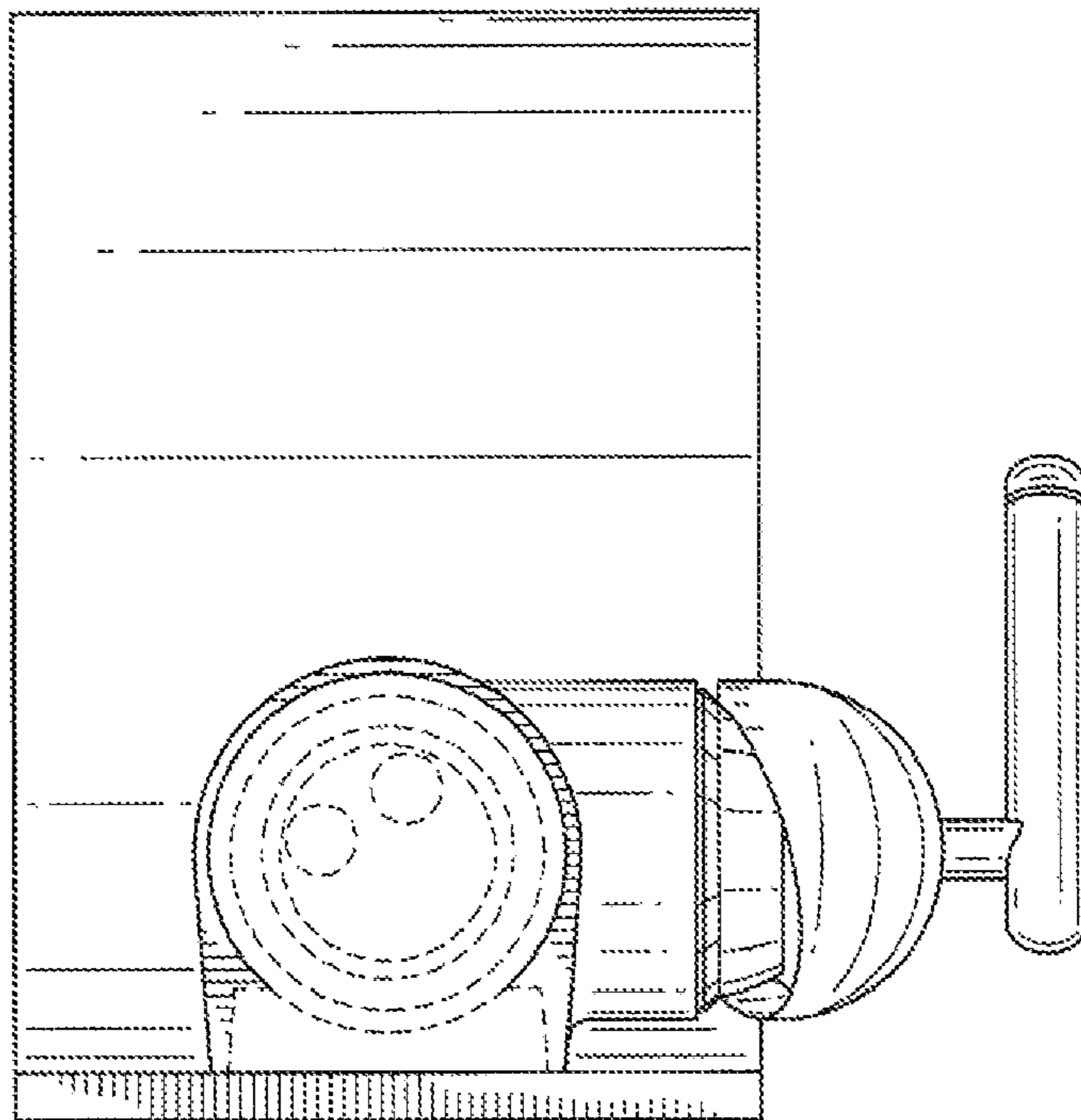


FIG. 6

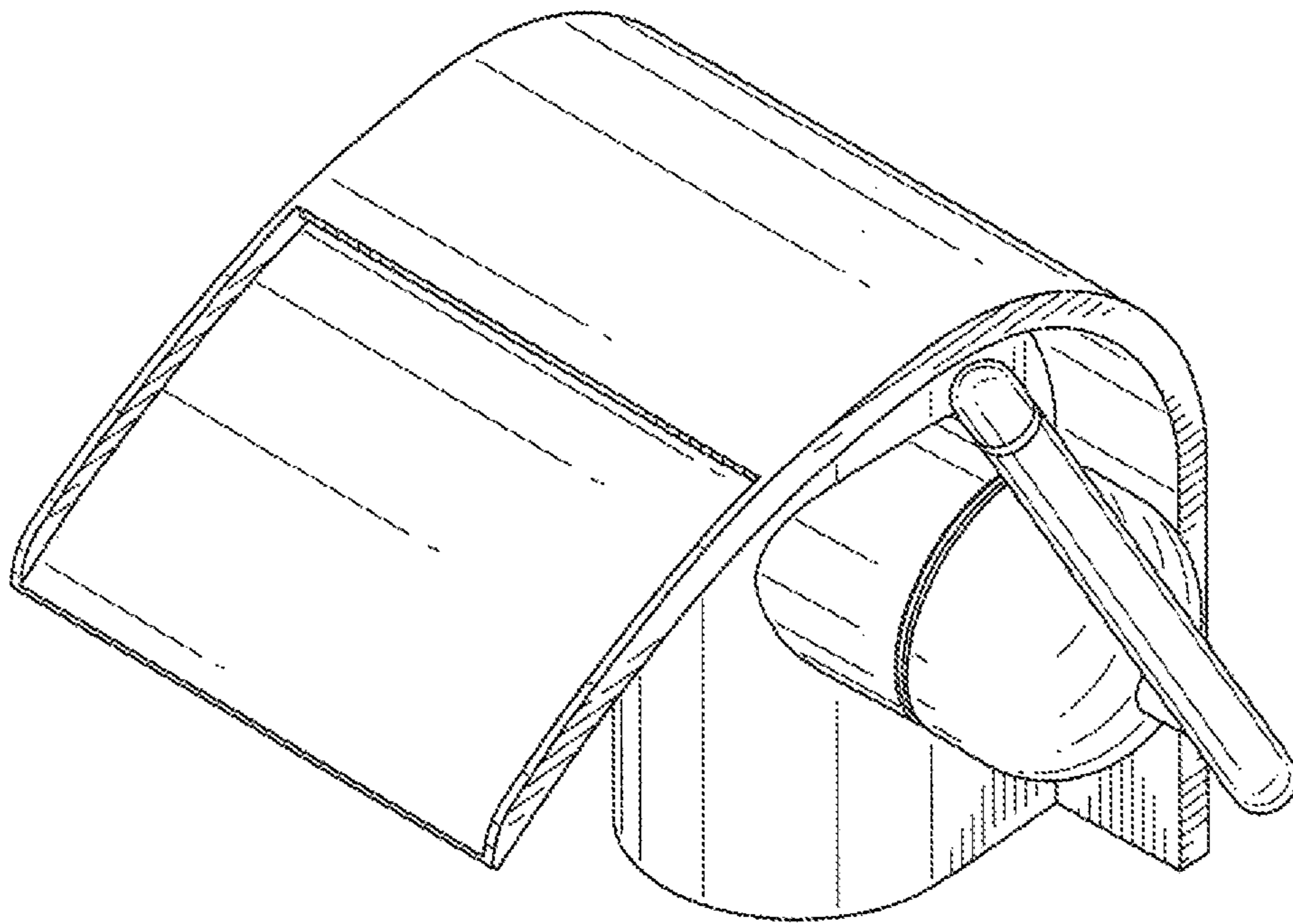


FIG.7