



US00D615158S

(12) **United States Design Patent**  
**Chen**

(10) **Patent No.:** **US D615,158 S**

(45) **Date of Patent:** **\*\* May 4, 2010**

(54) **HAND-HELD WATER SPRAY GUN**

7,445,167 B1 \* 11/2008 Chen ..... 239/525  
7,516,910 B1 \* 4/2009 DeWall et al. .... 239/526

(75) Inventor: **Chin-Yuan Chen**, Lu-Kang Town (TW)

\* cited by examiner

(73) Assignee: **Shin Tai Spurt Water of the Garden Tools Co., Ltd.**, Lu-Kang Town (TW)

*Primary Examiner*—Robin V Webster

(\*\*) Term: **14 Years**

(57) **CLAIM**

(21) Appl. No.: **29/342,113**

The ornamental design for a hand-held water spray gun, as shown and described.

(22) Filed: **Aug. 18, 2009**

**DESCRIPTION**

(51) **LOC (9) Cl.** ..... **23-01**

FIG. 1 is a perspective view of a hand-held water spray gun showing my new design;

(52) **U.S. Cl.** ..... **D23/226**

FIG. 2 is a front view of the embodiment shown in FIG. 1;

(58) **Field of Classification Search** ..... D23/213,  
D23/223, 226; 239/525–527

FIG. 3 is a rear view of the embodiment shown in FIG. 1;

See application file for complete search history.

FIG. 4 is a left side view of the embodiment shown in FIG. 1;

FIG. 5 is a right side view of the embodiment shown in FIG. 1;

FIG. 6 is a top view of the embodiment shown in FIG. 1; and,

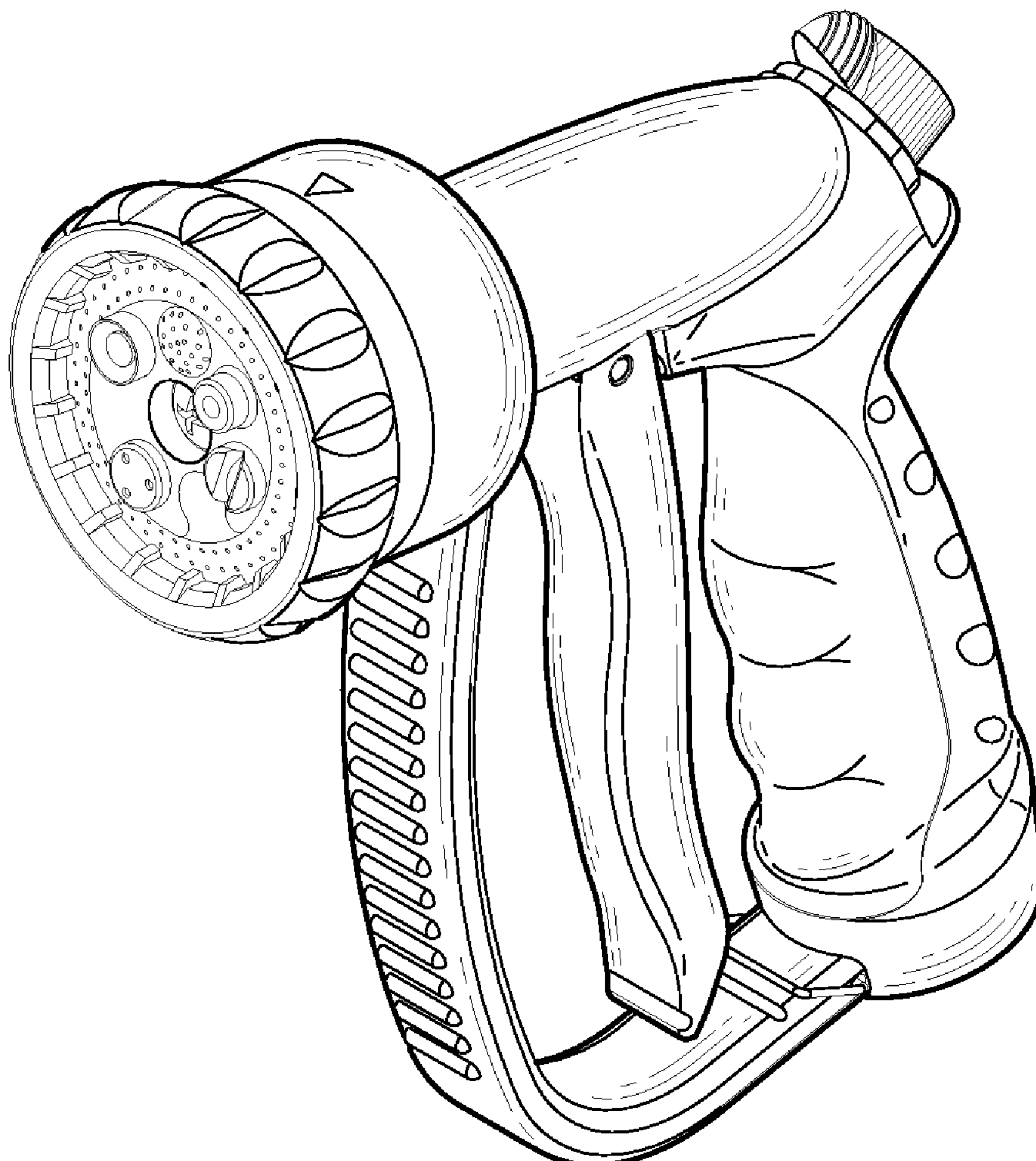
FIG. 7 is a bottom view of the embodiment shown in FIG. 1.

(56) **References Cited**

**U.S. PATENT DOCUMENTS**

D489,791 S	*	5/2004	Chen	.....	D23/223
D489,792 S	*	5/2004	Chen	.....	D23/223
D551,738 S	*	9/2007	Tanner	.....	D23/226
D574,927 S	*	8/2008	Larsen	.....	D23/226

**1 Claim, 4 Drawing Sheets**



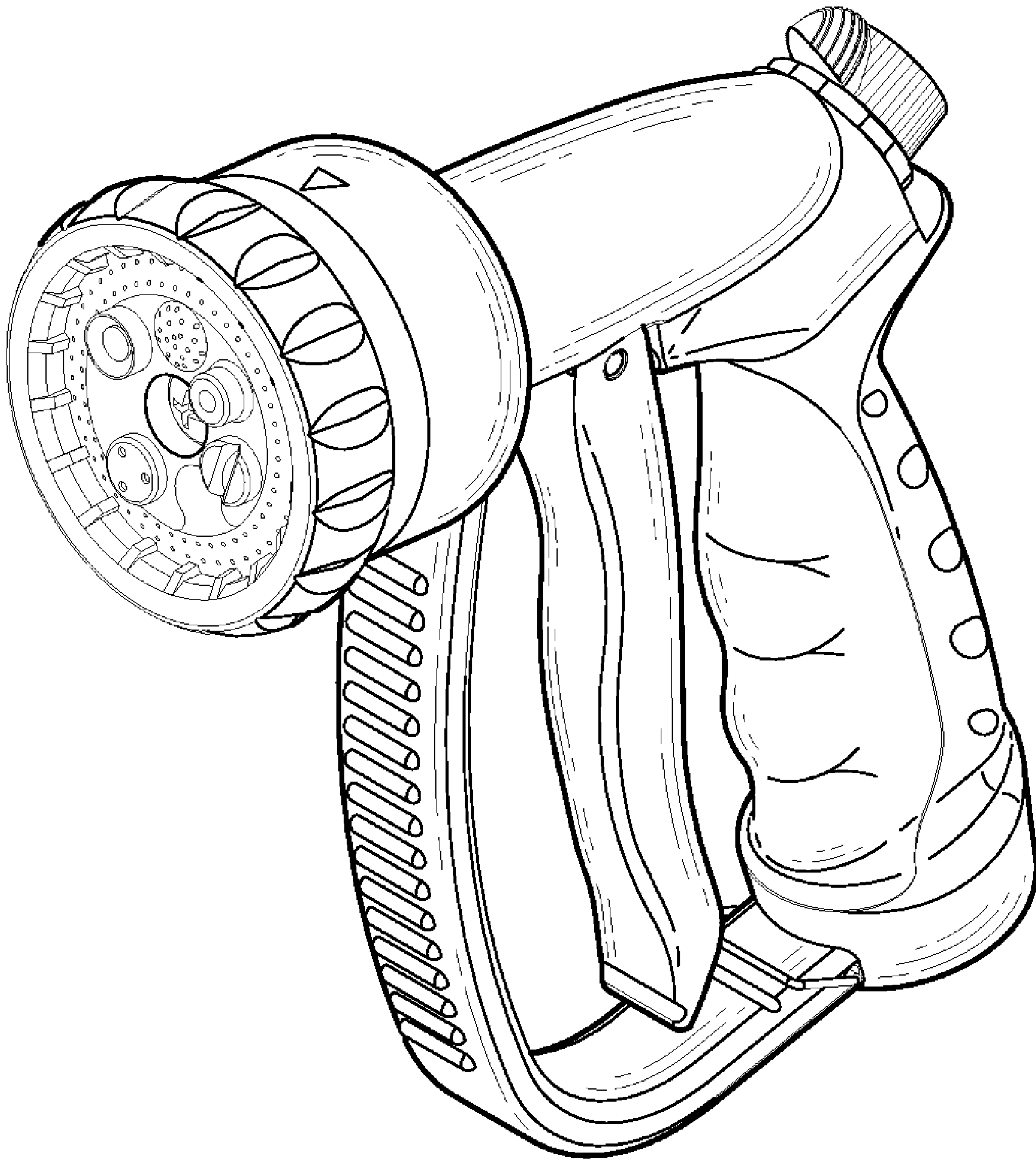


FIG. 1

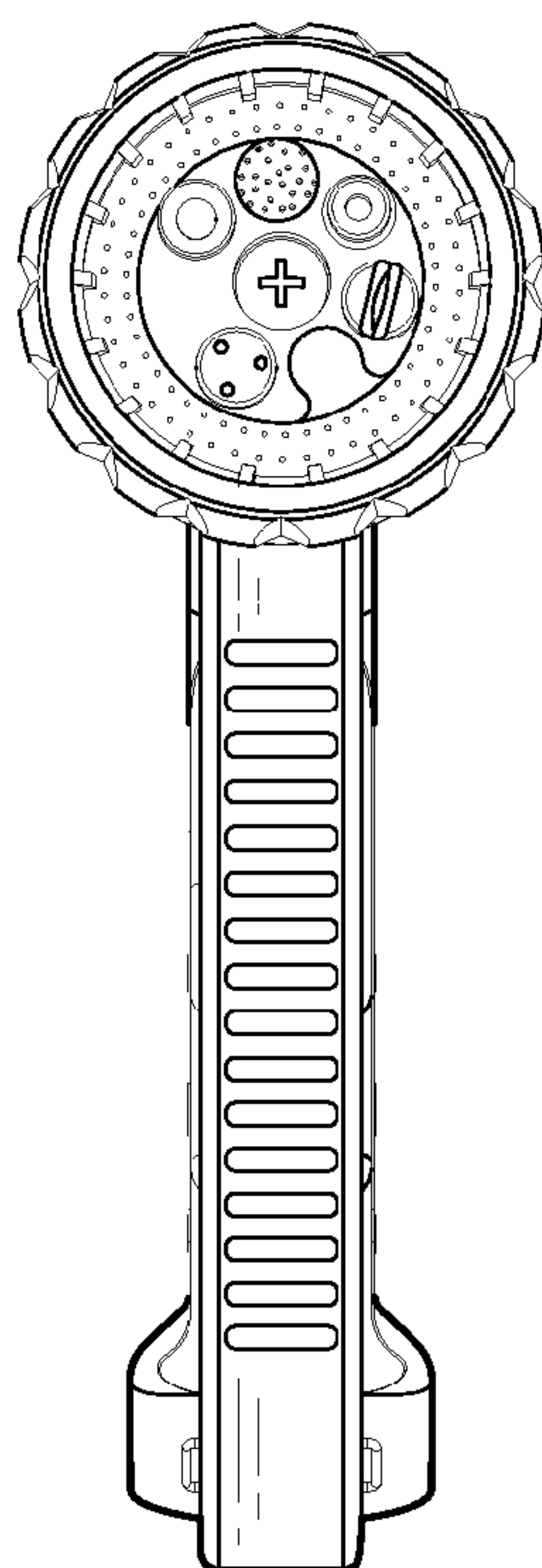


FIG. 2

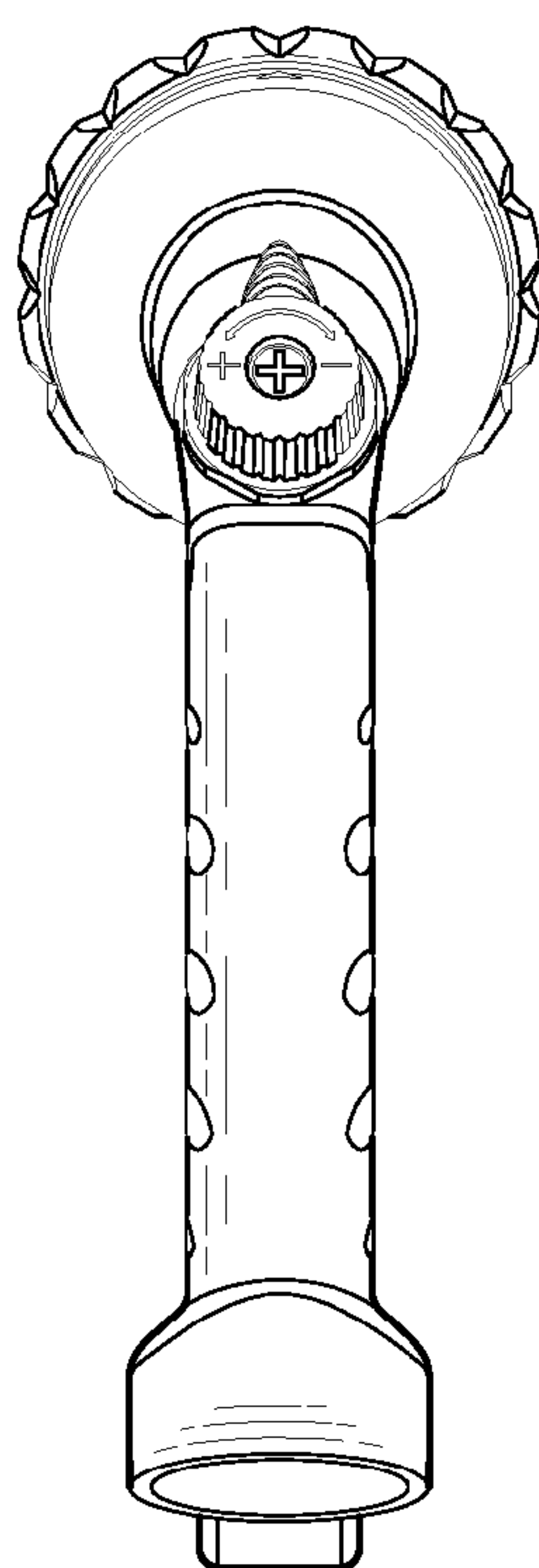


FIG. 3

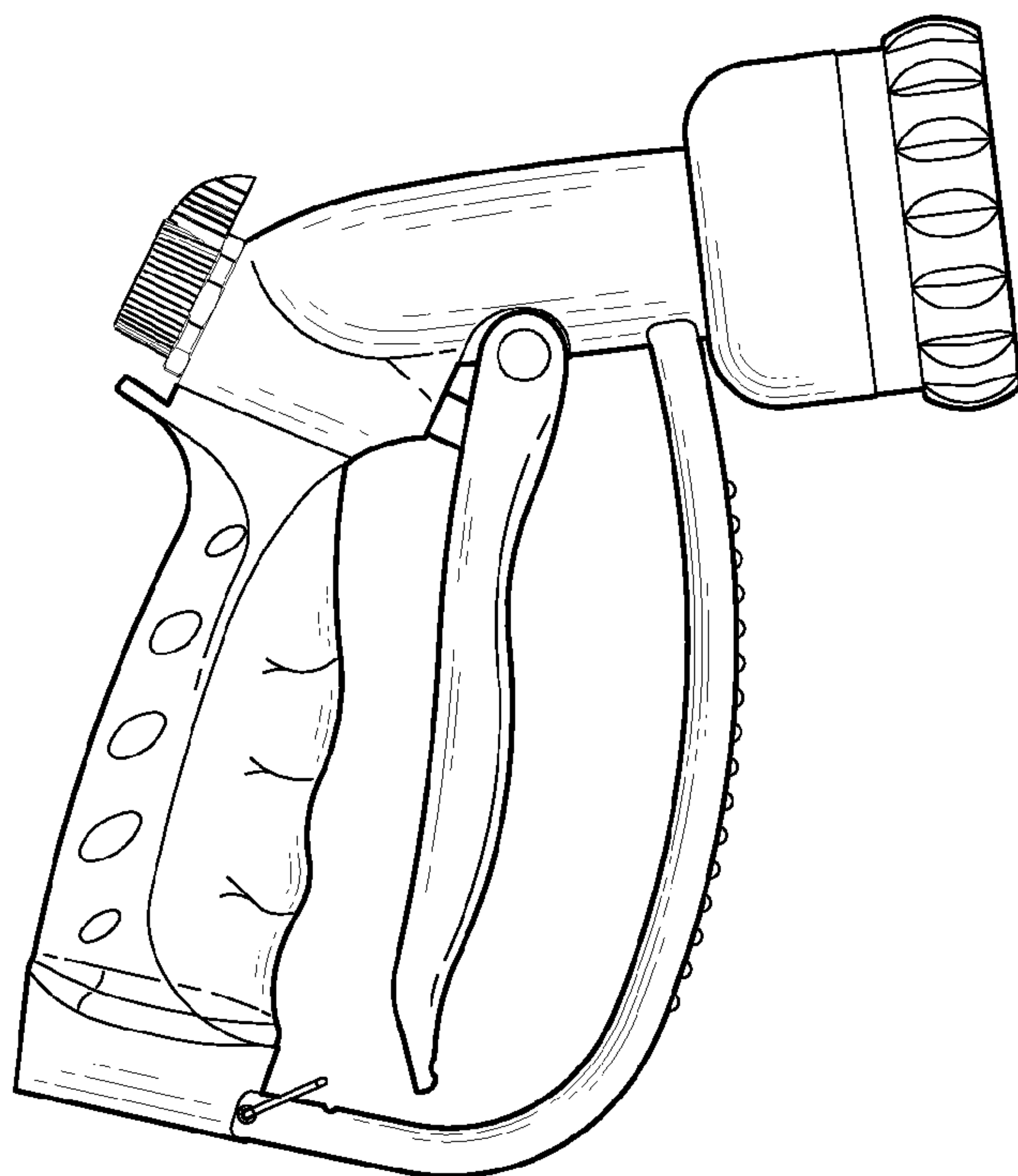


FIG. 4

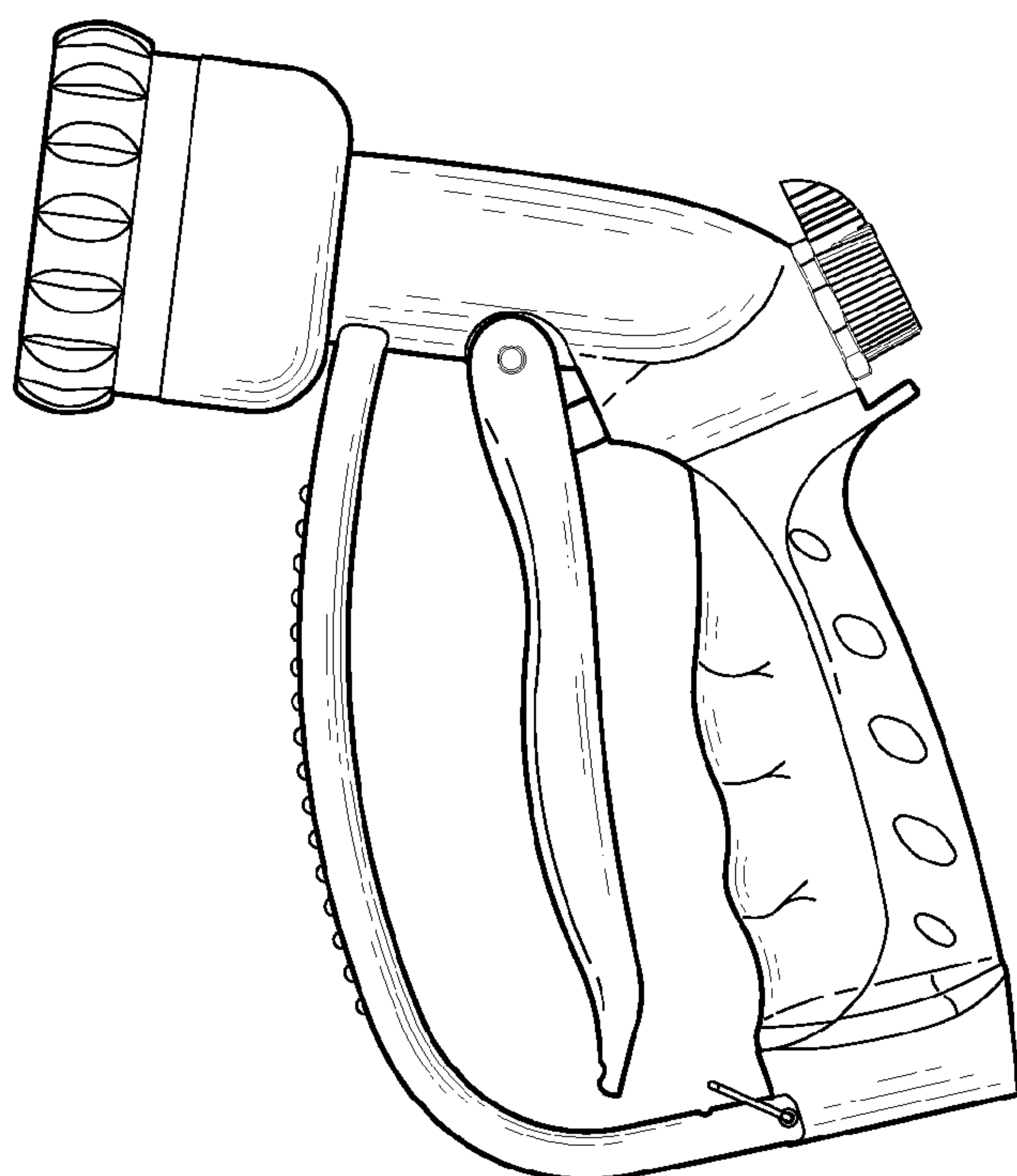


FIG. 5

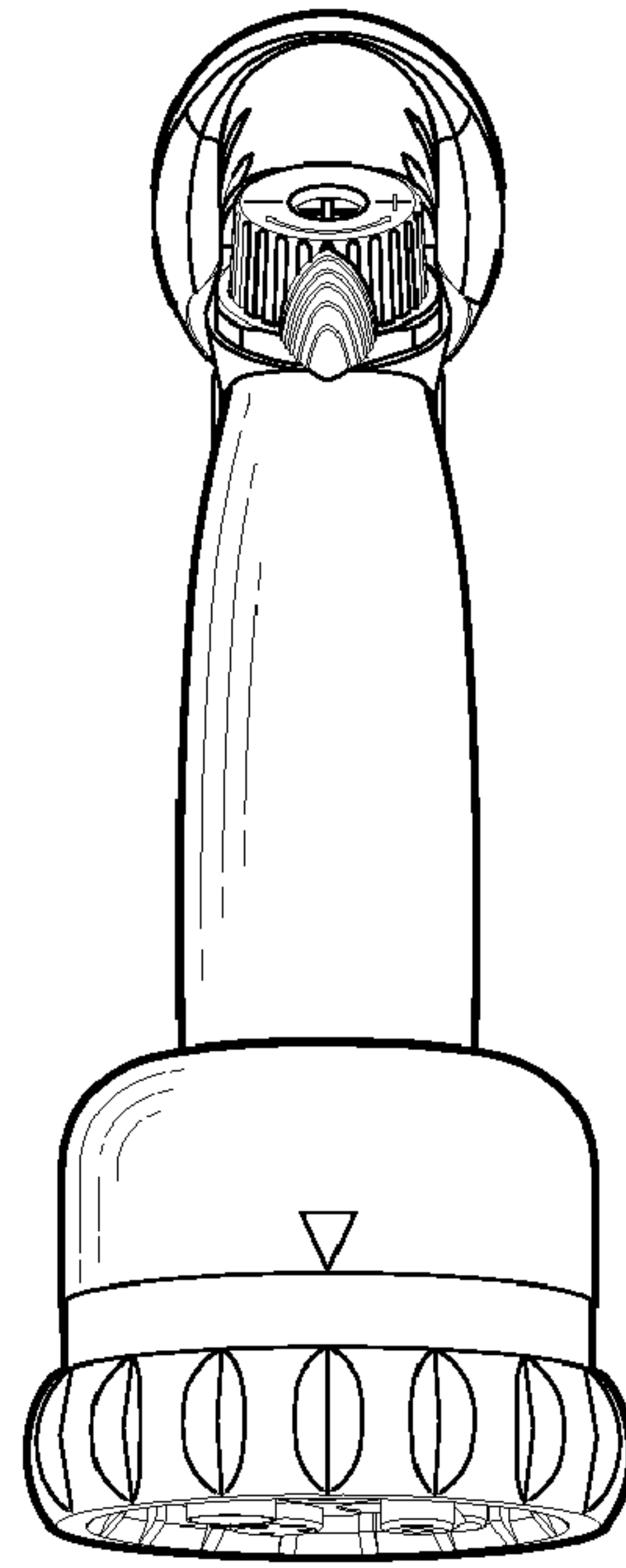


FIG. 6

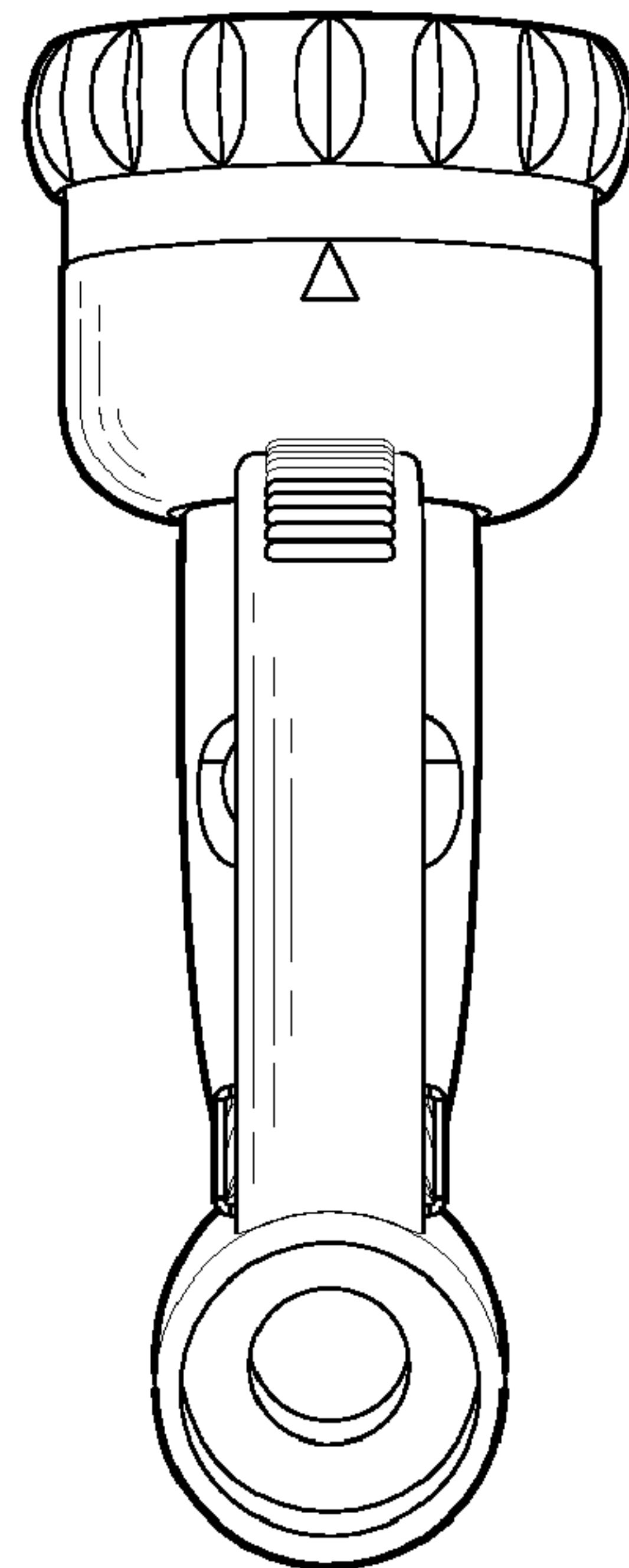


FIG. 7