



US00D615156S

(12) **United States Design Patent**
Cheng

(10) **Patent No.:** **US D615,156 S**

(45) **Date of Patent:** **** May 4, 2010**

(54) **WATER SPRAY GUN**

Primary Examiner—Robin V Webster

(76) **Inventor:** **Chi-Han Cheng**, P.O. Box 215,
Taichung (TW) 90099

(57) **CLAIM**

The ornamental design for a water spray gun, as shown and described.

(**) **Term:** **14 Years**

(21) **Appl. No.:** **29/311,921**

DESCRIPTION

(22) **Filed:** **Jul. 31, 2009**

(51) **LOC (9) Cl.** **23-01**

(52) **U.S. Cl.** **D23/226**

(58) **Field of Classification Search** D23/213,
D23/223, 226; 239/525–527, 532
See application file for complete search history.

FIG. 1 is a perspective view of a water spray gun of the design.

FIG. 2 is a front elevational view of a water spray gun of the design.

FIG. 3 is a rear elevational view of a water spray gun of the design.

FIG. 4 is a left side elevational view of a water spray gun of the design.

FIG. 5 is a right side elevational view of a water spray gun of the design.

FIG. 6 is a top plan view of a water spray gun of the design; and,

FIG. 7 is a bottom plan view of a water spray gun of the design.

The broken line showing of the spray gun nozzle is included for the purpose of illustrating and forms no part of the claimed design.

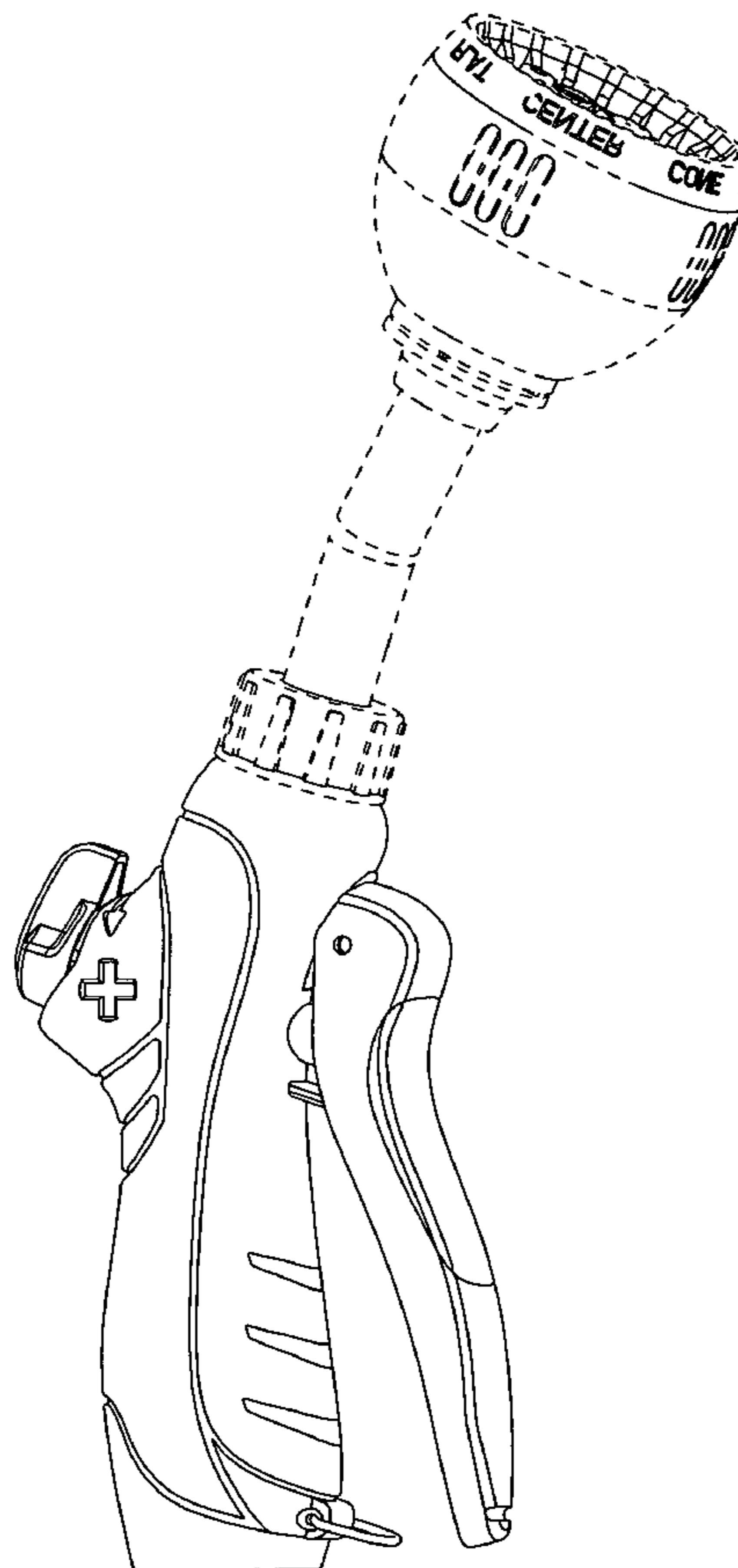
(56) **References Cited**

U.S. PATENT DOCUMENTS

D468,804	S	*	1/2003	Nien	D23/226
D472,605	S	*	4/2003	Nien	D23/223
6,540,163	B1	*	4/2003	Huang	239/587.5
6,581,853	B1	*	6/2003	Huang	239/532
6,726,129	B2	*	4/2004	Kao	239/587.1
D513,427	S	*	1/2006	Chen	D23/223
6,981,661	B1	*	1/2006	Chen	239/532
D602,559	S	*	10/2009	Zore	D23/226

* cited by examiner

1 Claim, 7 Drawing Sheets



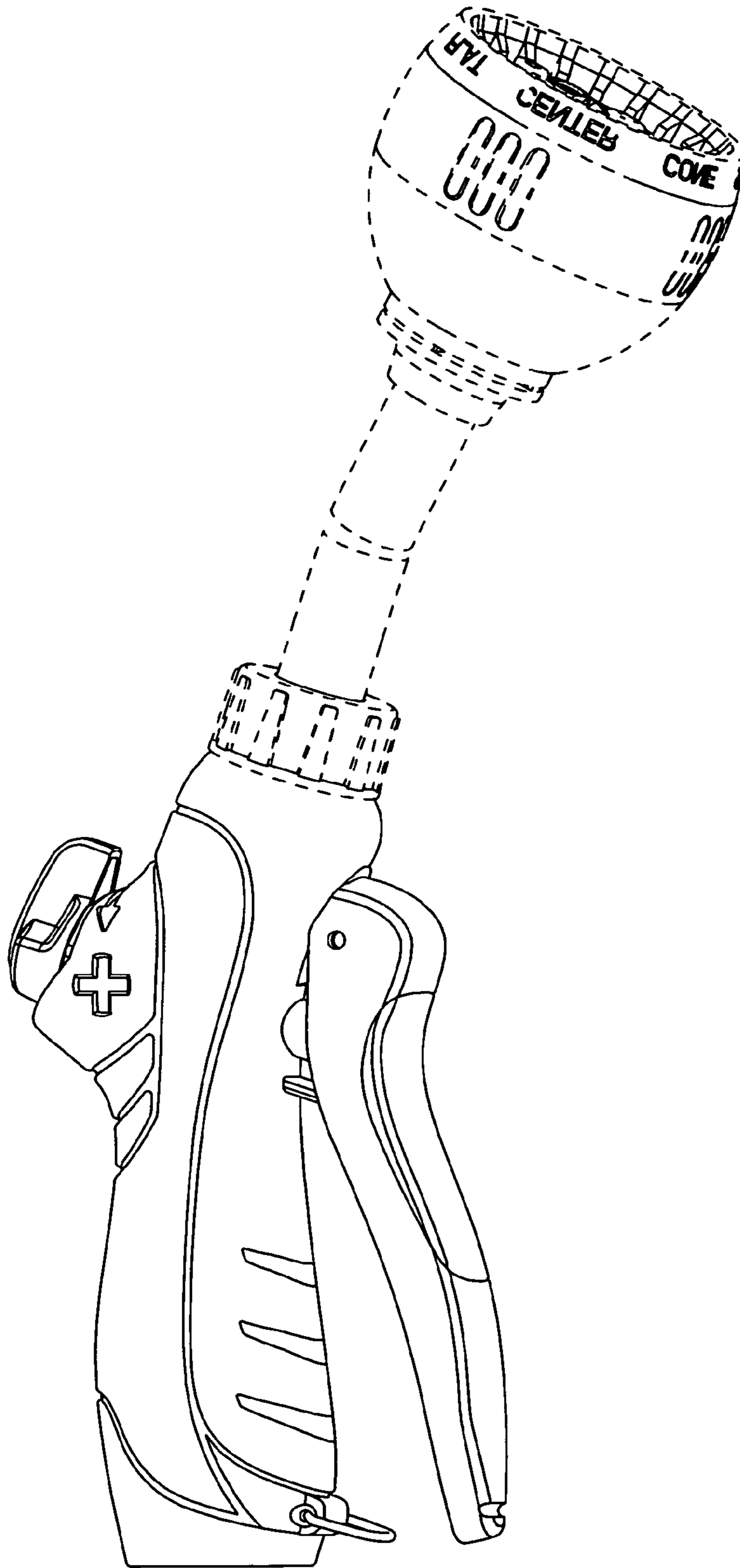


FIG 1

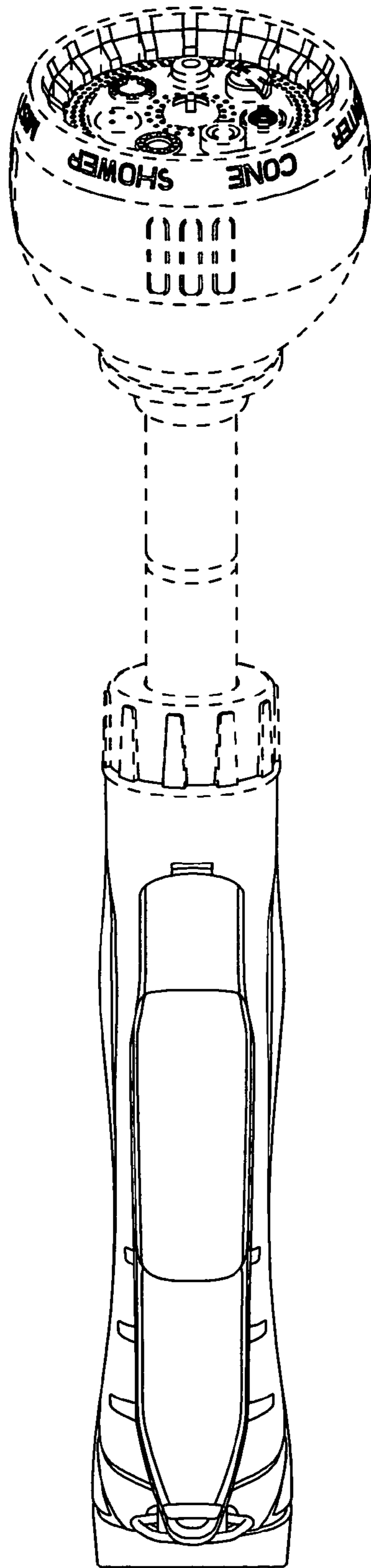


FIG 2

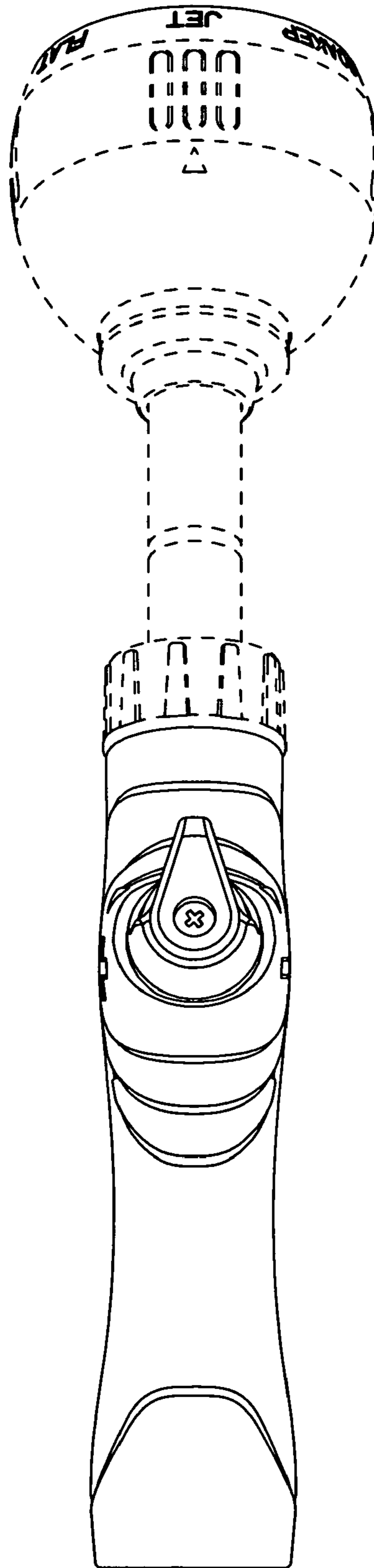


FIG 3

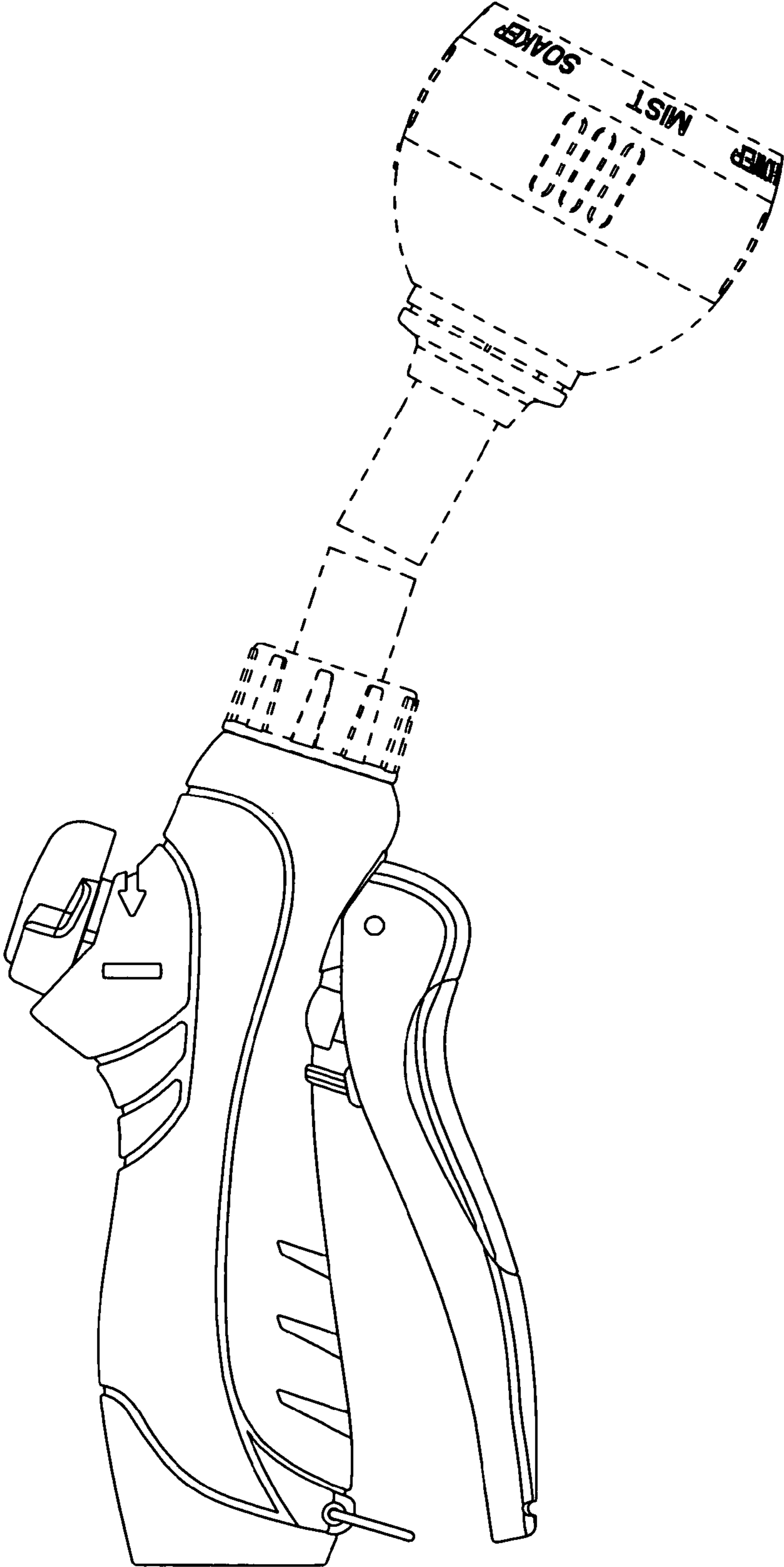


FIG 4

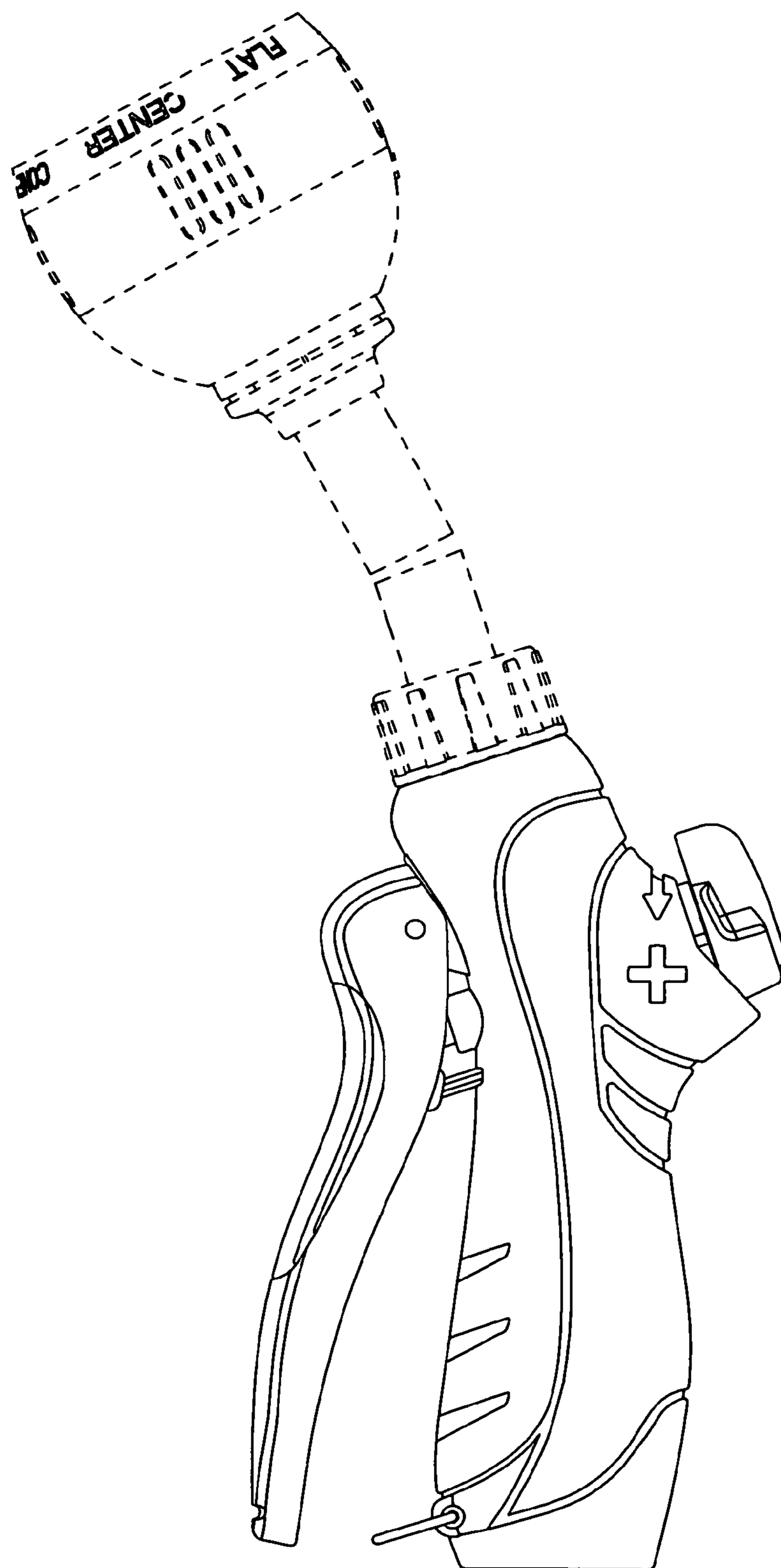


FIG 5

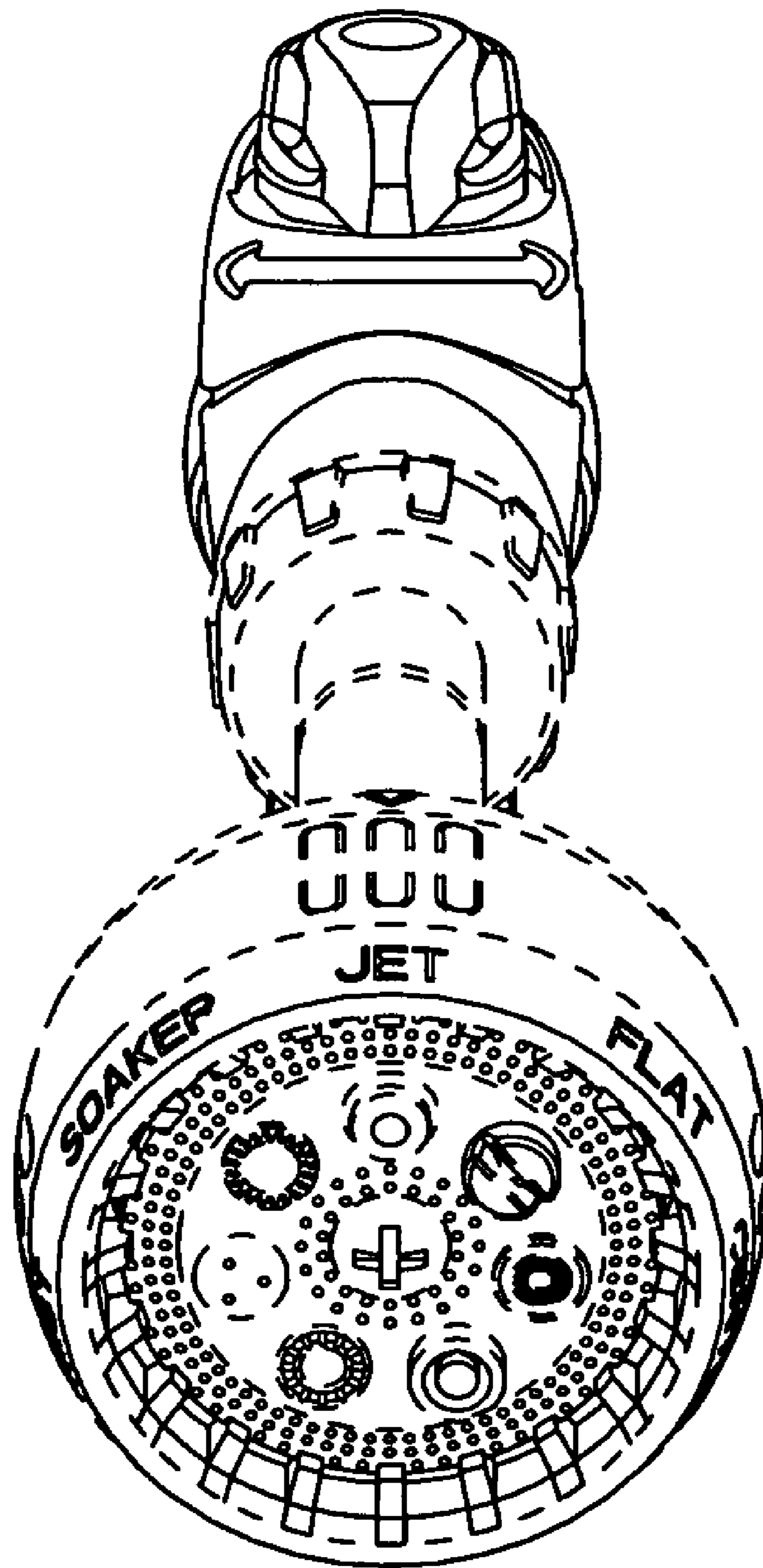


FIG 6

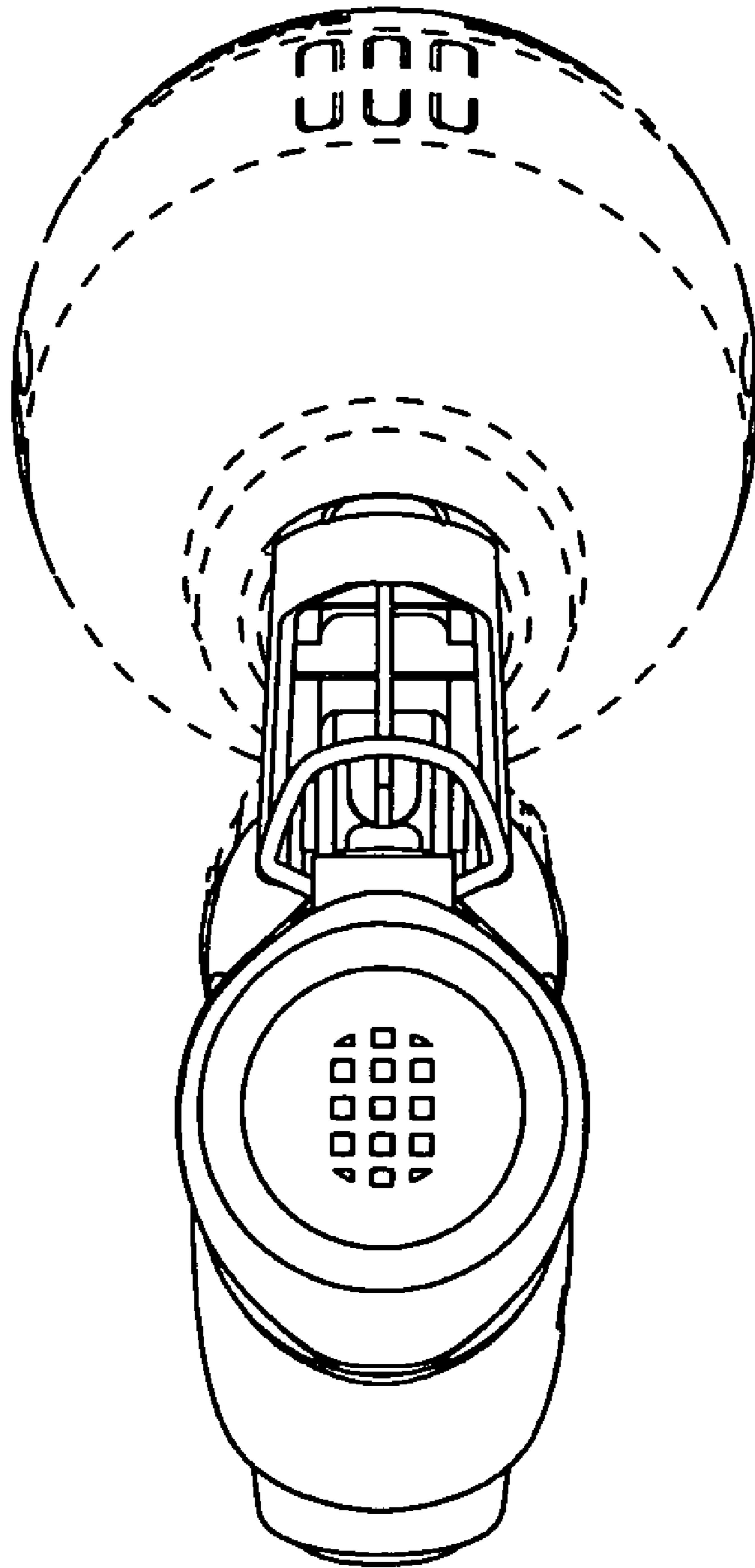


FIG 7