



US00D615155S

(12) **United States Design Patent**
Cheng

(10) **Patent No.:** **US D615,155 S**

(45) **Date of Patent:** **** May 4, 2010**

(54) **WATER SPRAY GUN**

(57) **CLAIM**

(76) **Inventor:** **Chi-Han Cheng**, P.O. Box 215,
Taichung (TW) 40099

The ornamental design for a water spray gun, as shown and described.

(**) **Term:** **14 Years**

DESCRIPTION

(21) **Appl. No.:** **29/311,916**

FIG. 1 is a perspective view of a water spray gun of the design.
FIG. 2 is a front elevational view of a water spray gun of the design.

(22) **Filed:** **Jul. 31, 2009**

(51) **LOC (9) Cl.** **23-01**

FIG. 3 is a rear elevational view of a water spray gun of the design.

(52) **U.S. Cl.** **D23/226**

(58) **Field of Classification Search** D23/213,
D23/223, 226; 239/525-527, 532
See application file for complete search history.

FIG. 4 is a left side elevational view of a water spray gun of the design.

(56) **References Cited**

FIG. 5 is a right side elevational view of a water spray gun of the design.

U.S. PATENT DOCUMENTS

FIG. 6 is a top plan view of a water spray gun of the design; and,

D449,671 S * 10/2001 Wang D23/226

FIG. 7 is a bottom plan view of a water spray gun of the design.

D468,804 S * 1/2003 Nien D23/226

6,702,206 B2 * 3/2004 Wu 239/526

D553,711 S * 10/2007 Chih D23/226

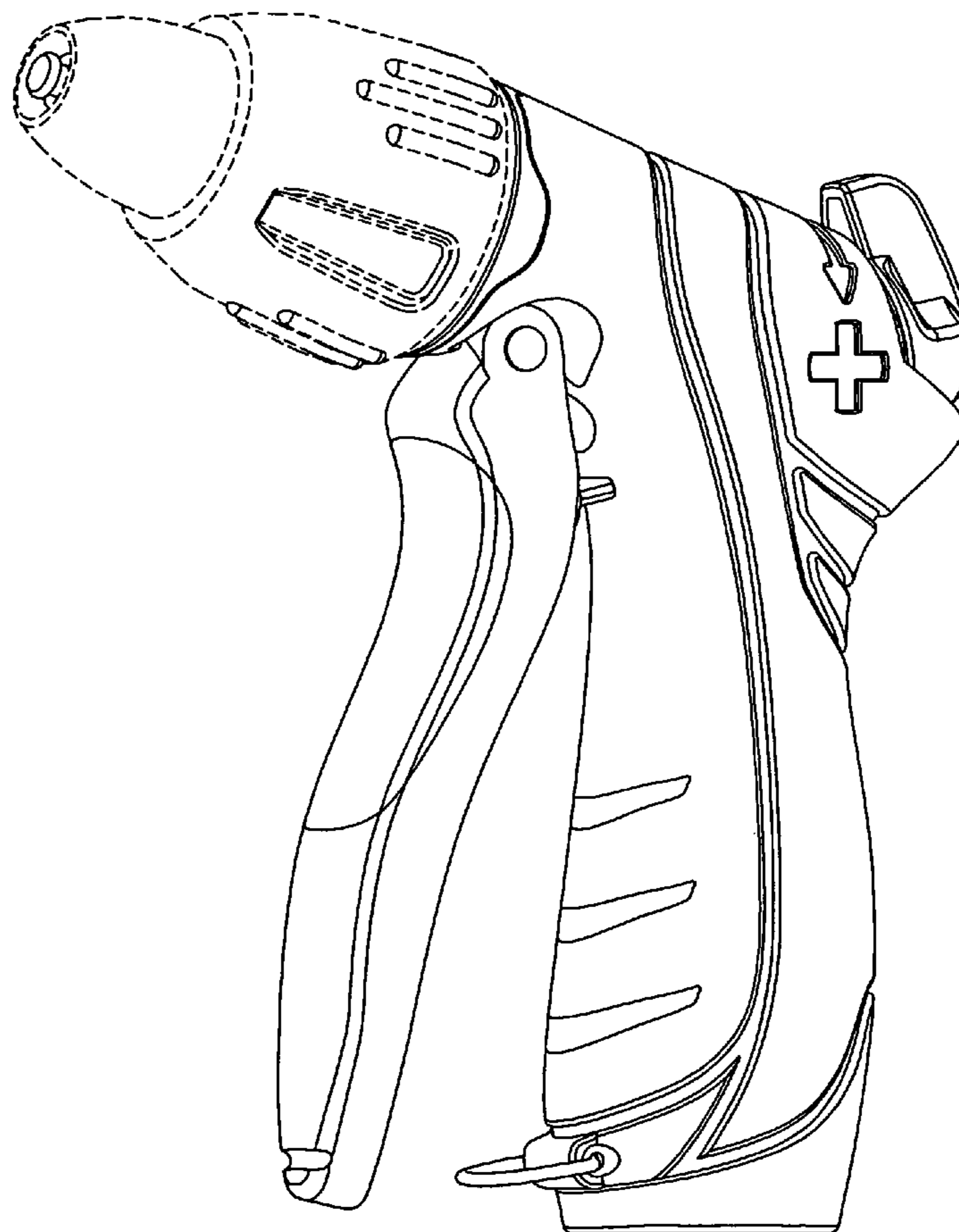
D554,234 S * 10/2007 Chih D23/226

The broken line showing of the spray gun nozzle is included for the purpose of illustrating and forms no part of the claimed design.

* cited by examiner

Primary Examiner—Robin V Webster

1 Claim, 7 Drawing Sheets



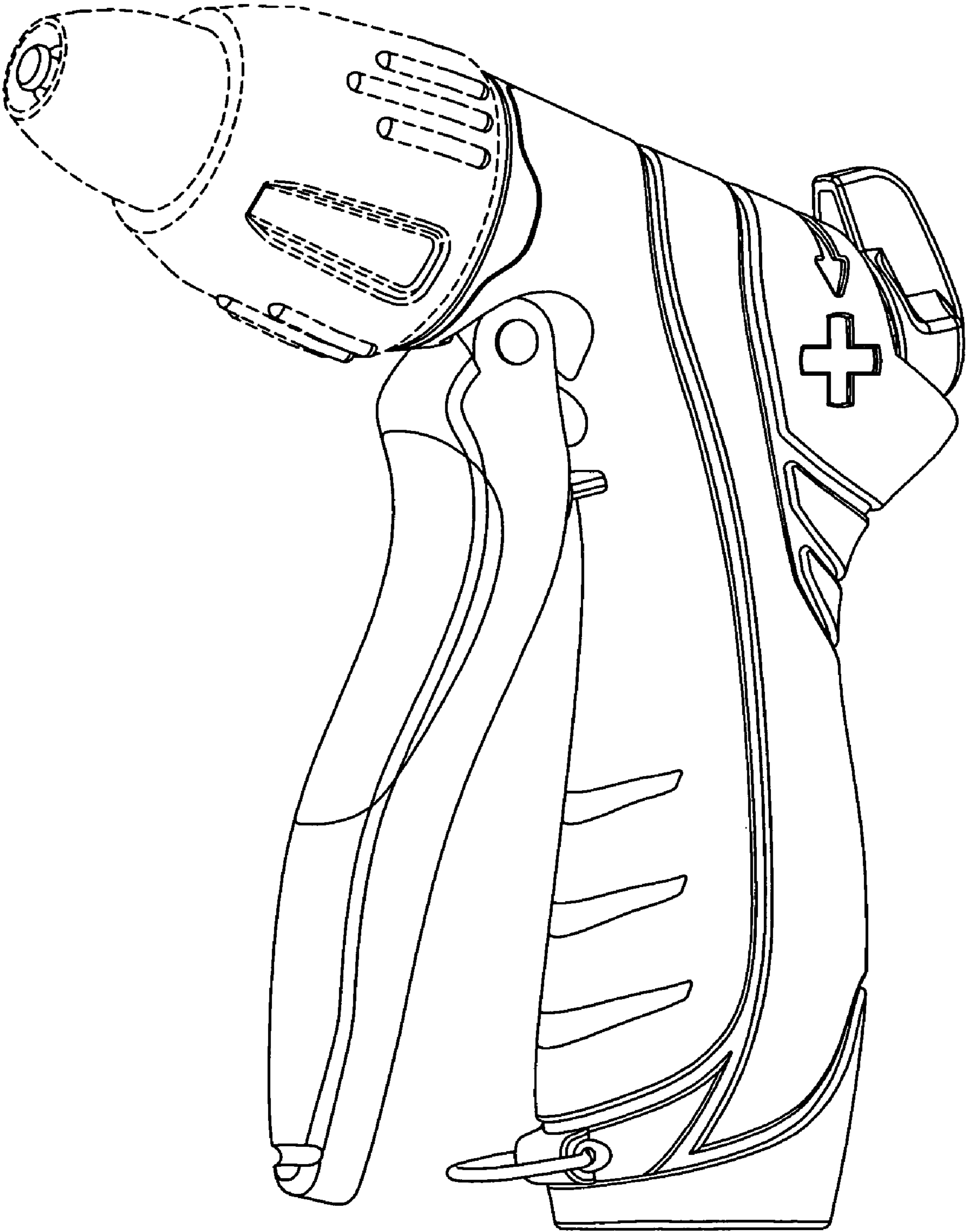


FIG 1

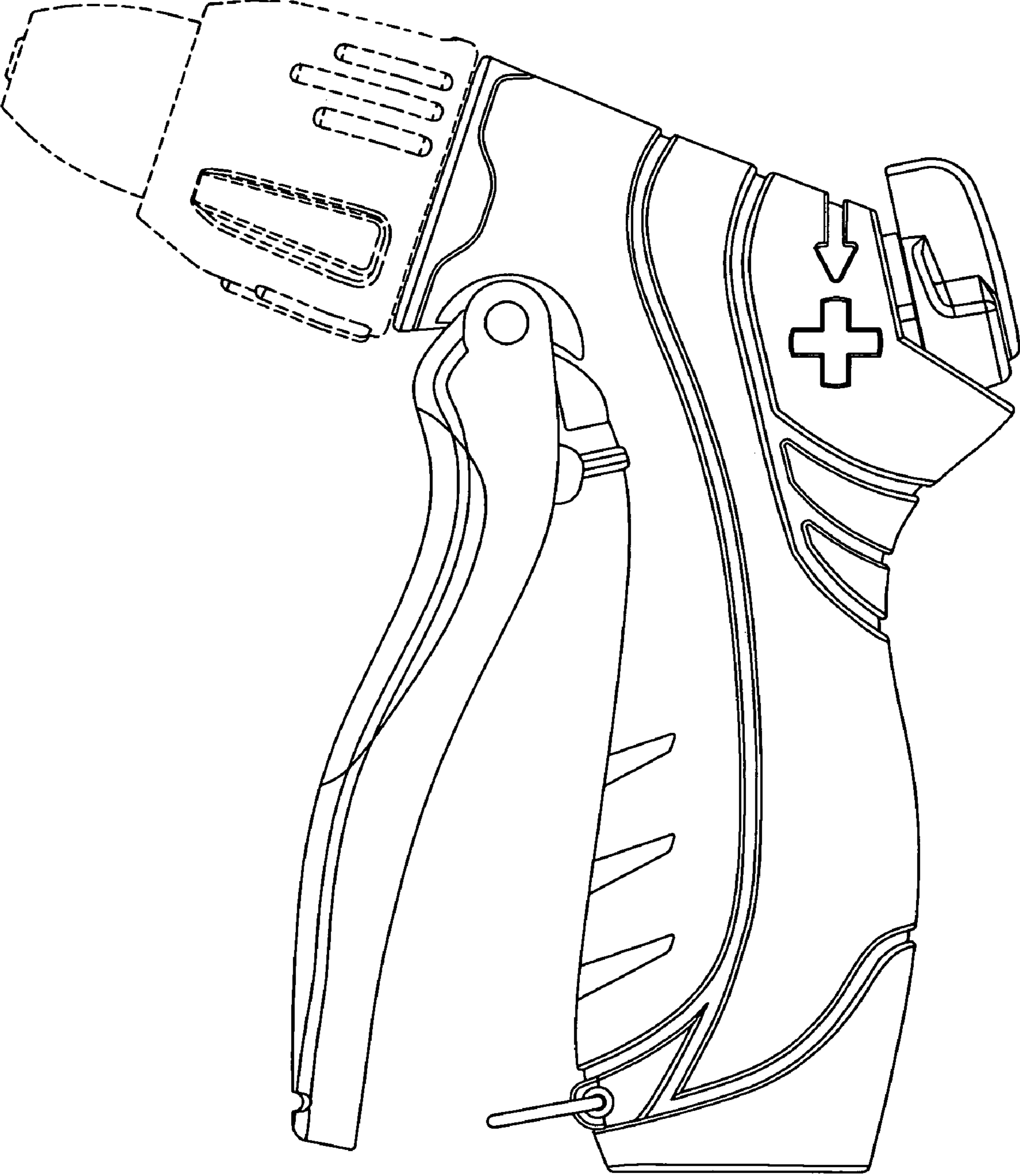


FIG 2

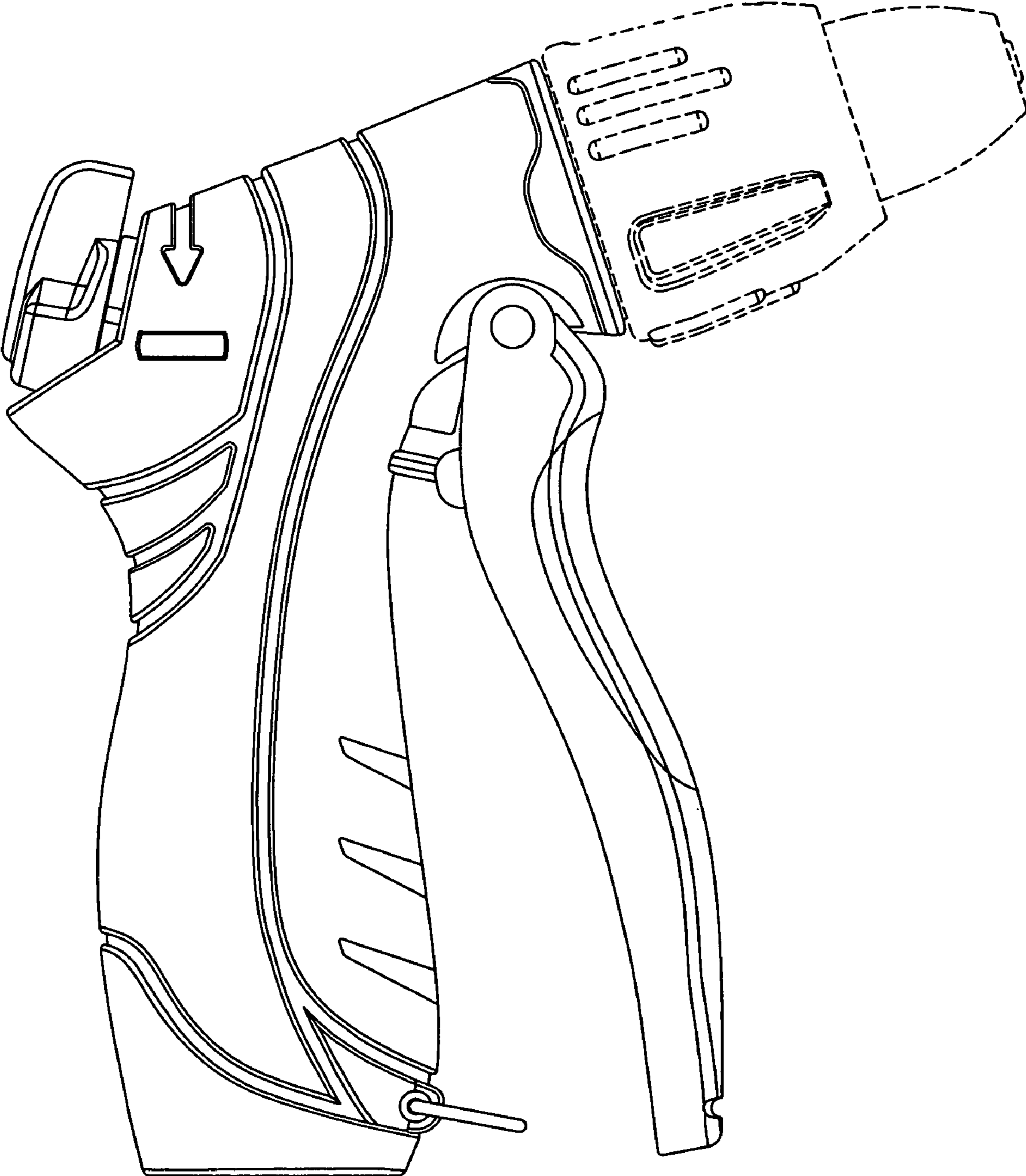


FIG 3

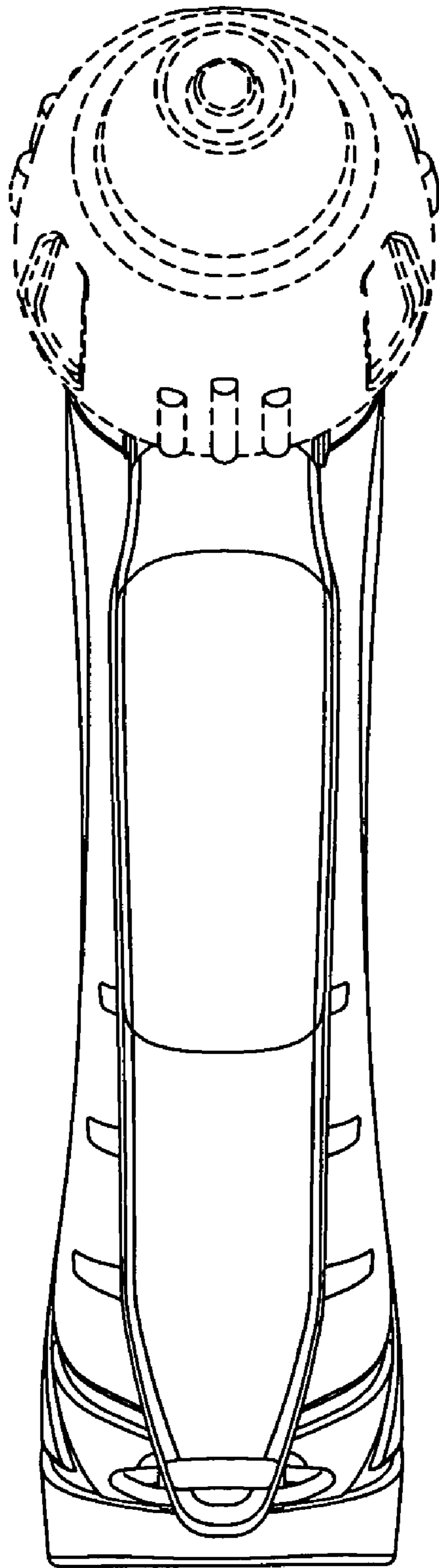


FIG 4

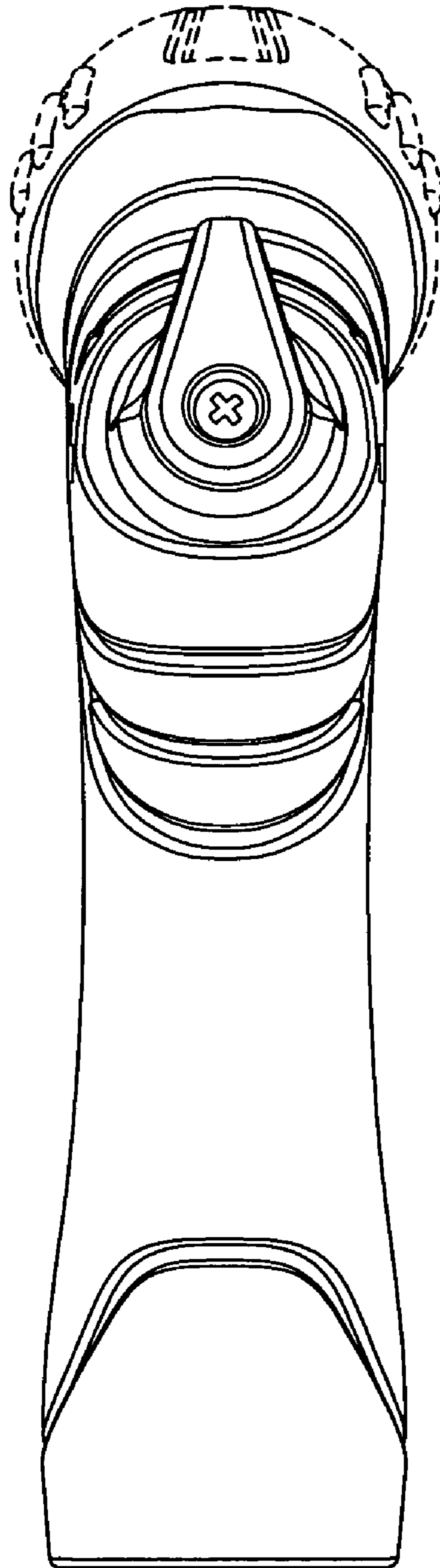


FIG 5

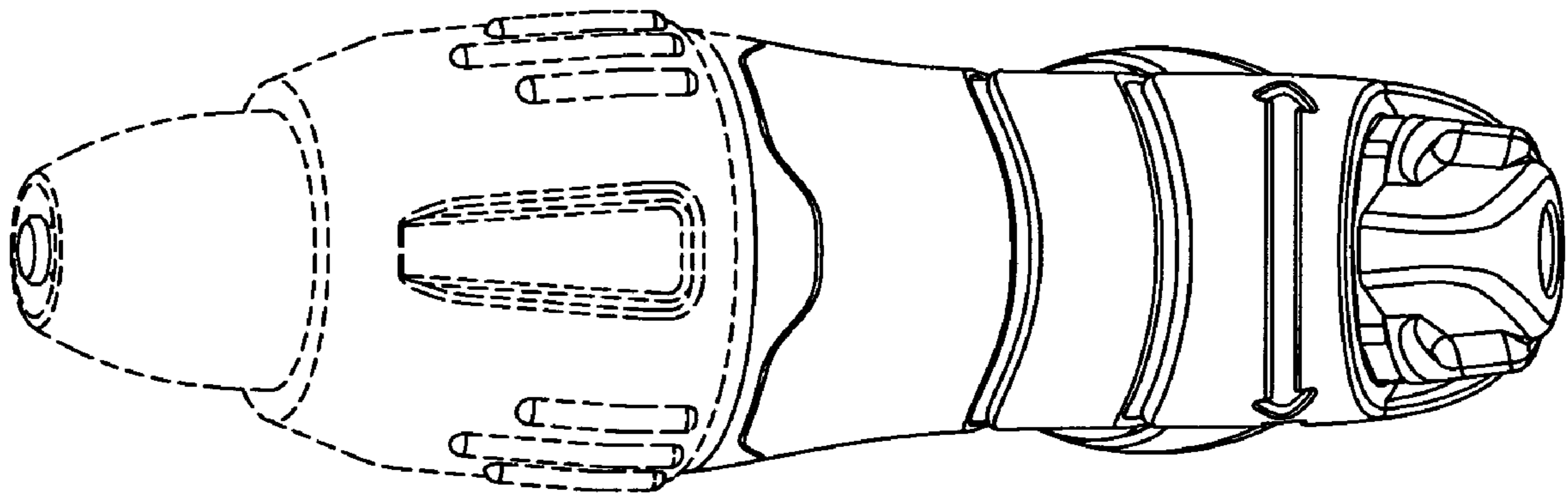


FIG 6

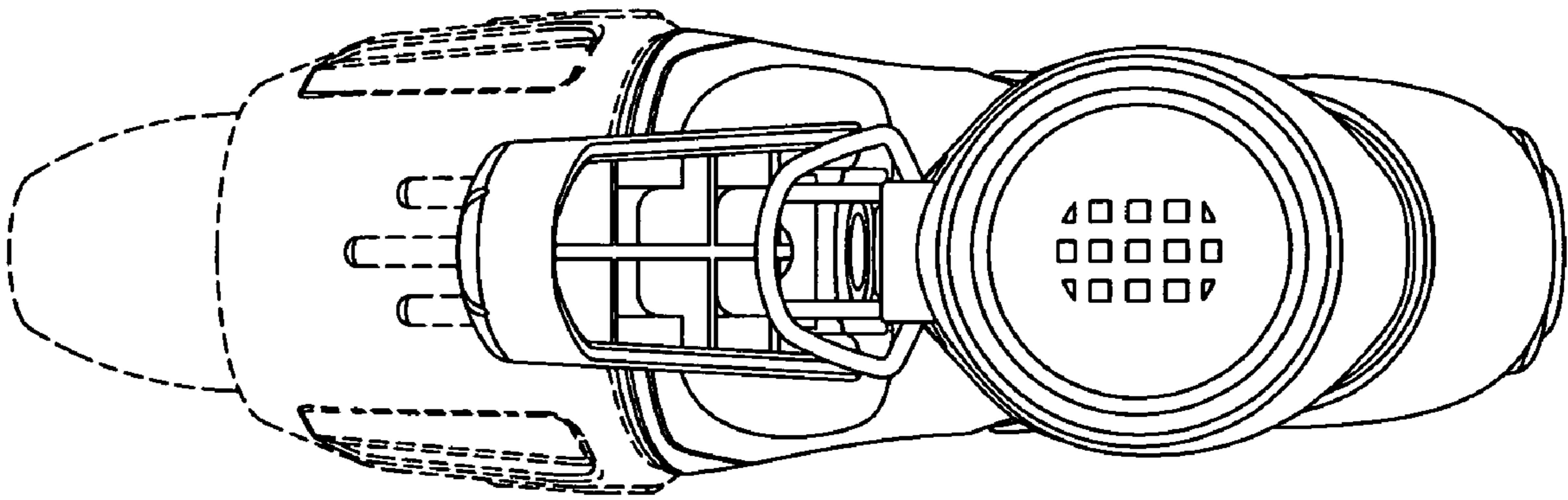


FIG 7