



US00D615154S

(12) **United States Design Patent**
Cheng

(10) **Patent No.:** **US D615,154 S**

(45) **Date of Patent:** **** May 4, 2010**

(54) **SPRINKLER**

(76) Inventor: **Chi-Han Cheng**, P.O. Box 215,
Taichung (TW) 40099

(**) Term: **14 Years**

(21) Appl. No.: **29/311,924**

(22) Filed: **Jul. 31, 2009**

(51) **LOC (9) Cl.** **23-01**

(52) **U.S. Cl.** **D23/221; D23/214**

(58) **Field of Classification Search** D23/213,
D23/214-217, 221; 239/273, 276, 242
See application file for complete search history.

(56) **References Cited**

U.S. PATENT DOCUMENTS

| | | | | |
|--------------|---------|------------------|-------|---------|
| D358,449 S * | 5/1995 | Ford | | D23/214 |
| D378,399 S * | 3/1997 | Simonetti et al. | | D23/214 |
| D412,556 S * | 8/1999 | Hsin-Fa | | D23/214 |
| D421,640 S * | 3/2000 | Chih | | D23/221 |
| D432,207 S * | 10/2000 | Hsin-Fa | | D23/221 |
| D501,535 S * | 2/2005 | Wang | | D23/214 |
| D510,405 S * | 10/2005 | Sener et al. | | D23/221 |

D559,351 S * 1/2008 Lo D23/221

* cited by examiner

Primary Examiner—Robin V Webster

(57) **CLAIM**

The ornamental design for a sprinkler, as shown and described.

DESCRIPTION

FIG. 1 is a perspective view of a sprinkler of the design.

FIG. 2 is a front elevational view of a sprinkler of the design.

FIG. 3 is a rear elevational view of a sprinkler of the design.

FIG. 4 is a left side elevational view of a sprinkler of the design.

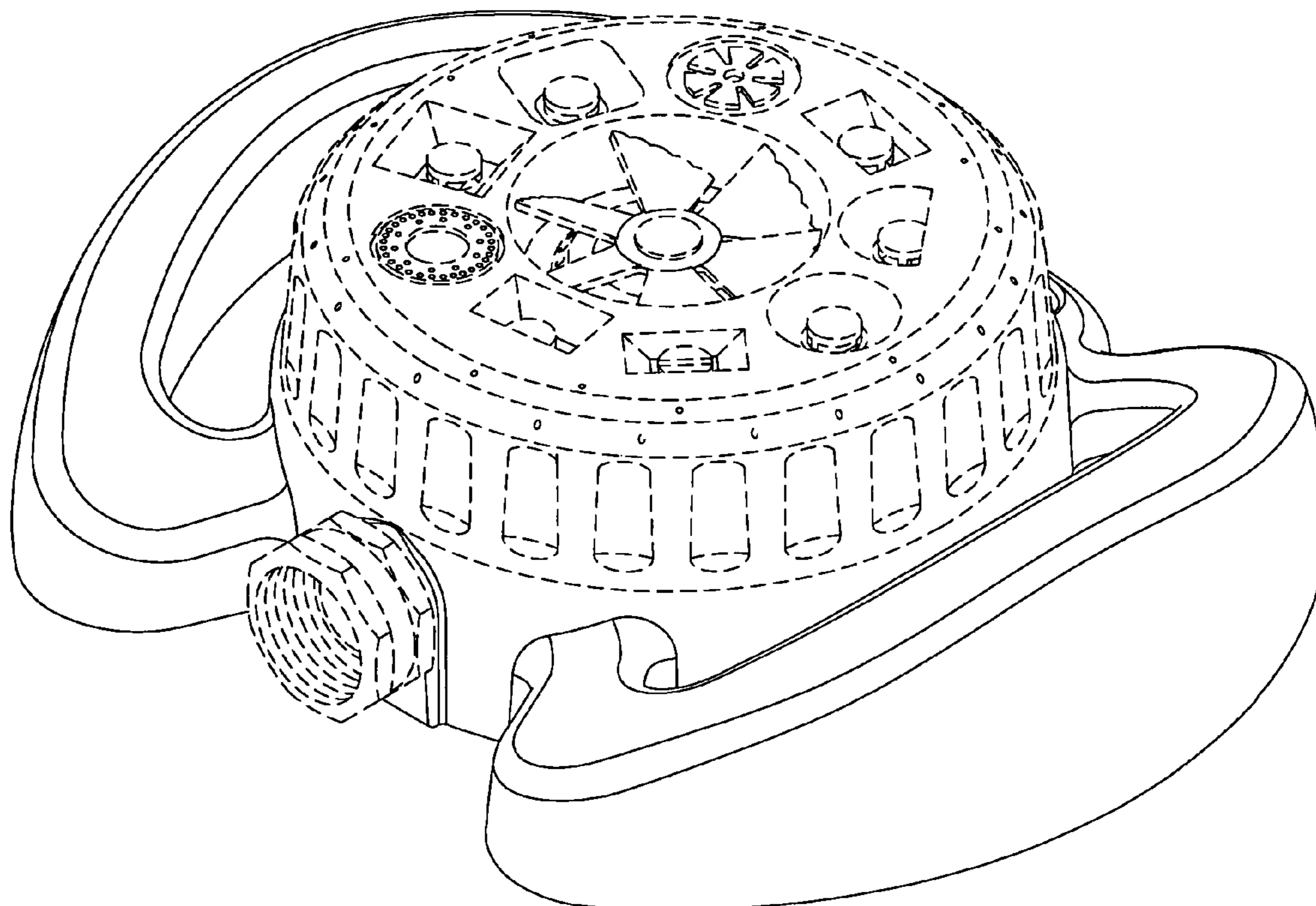
FIG. 5 is a right side elevational view of a sprinkler of the design.

FIG. 6 is a top plan view of a sprinkler of the design.

FIG. 7 is a bottom plan view of a sprinkler of the design; and, FIG. 8 is a perspective view of a sprinkler of the design in a position of use.

The broken line showing in FIG. 8 is included for the purpose of illustrating and forms no part of the claimed design.

1 Claim, 8 Drawing Sheets



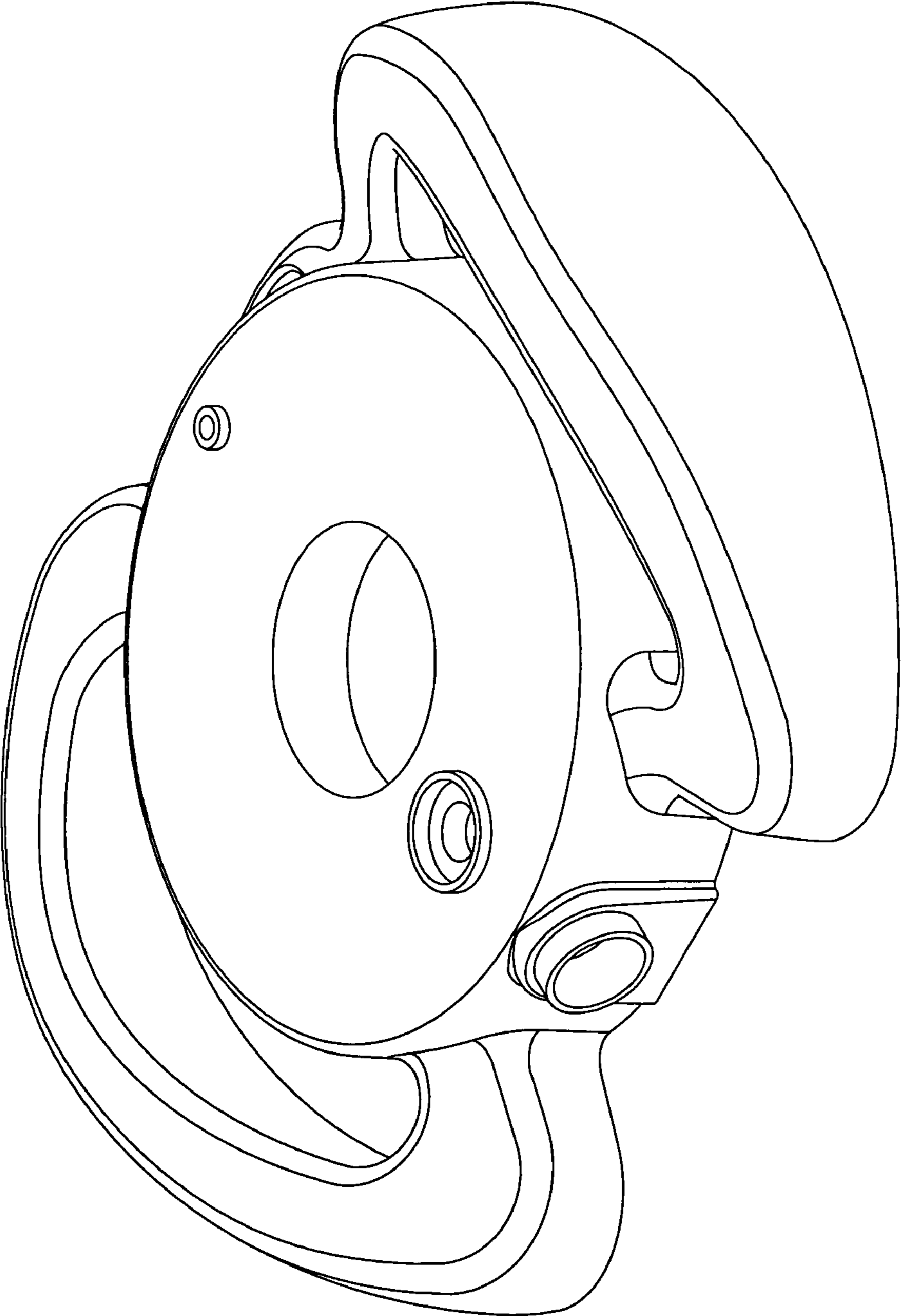


FIG 1

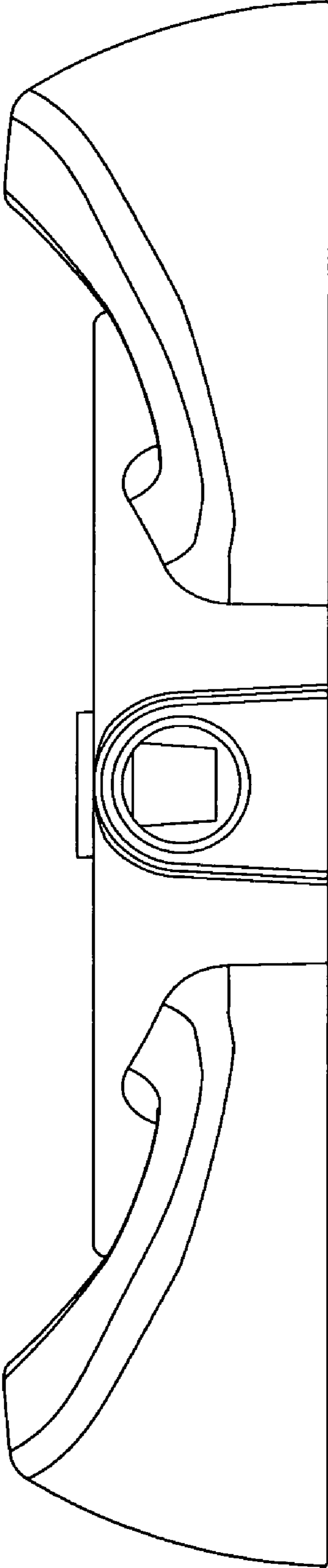


FIG 2

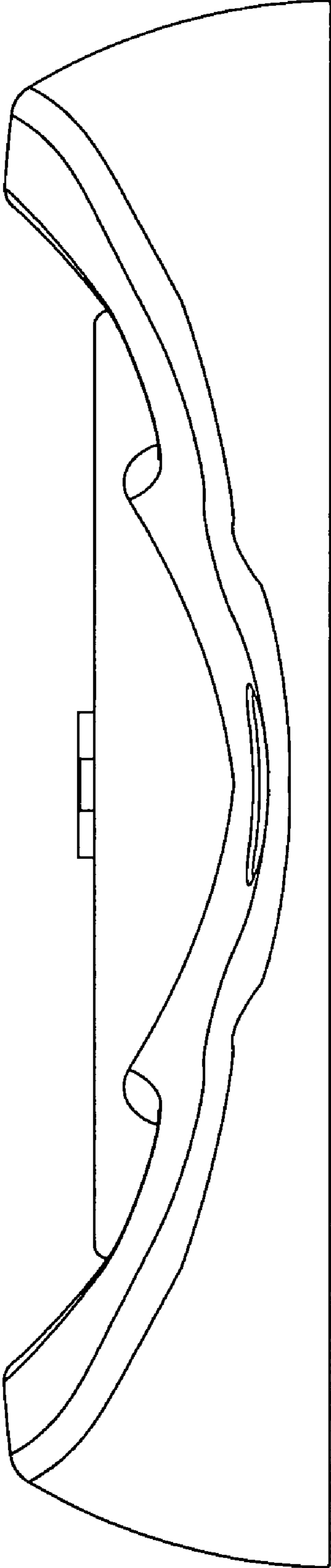


FIG 3

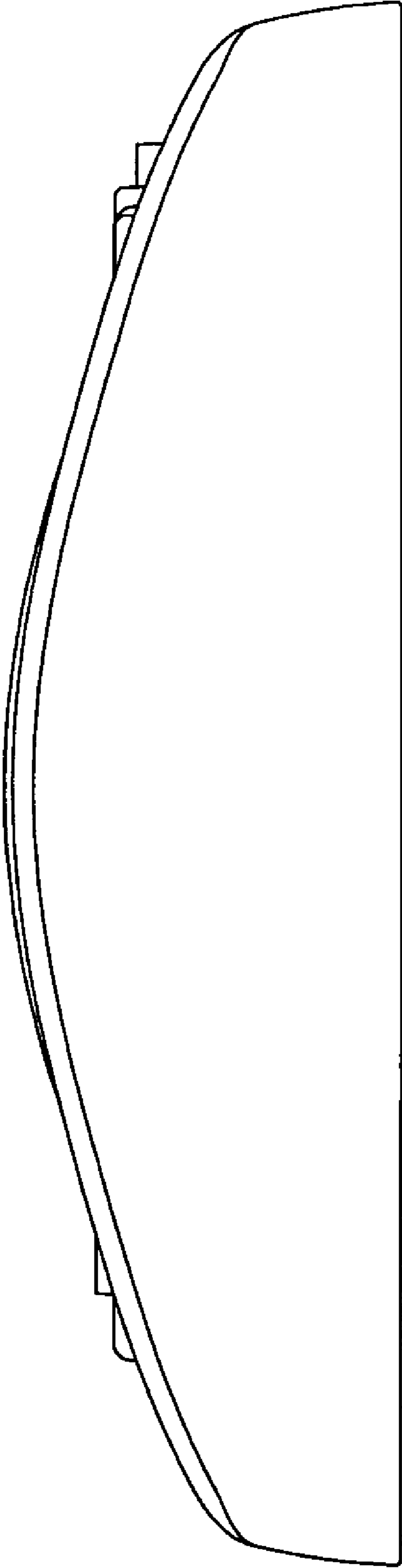


FIG 4

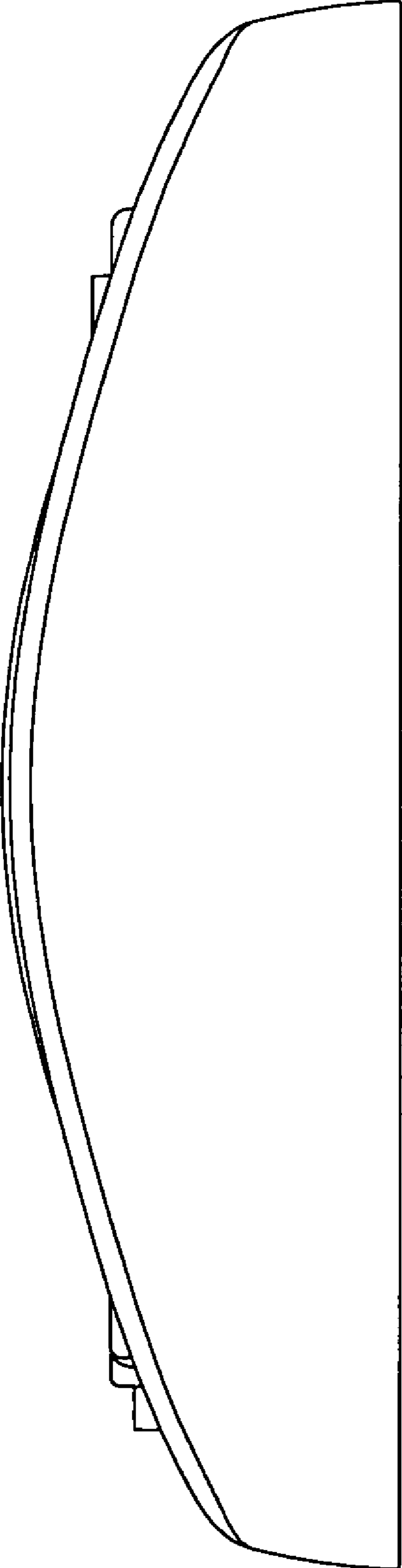


FIG 5

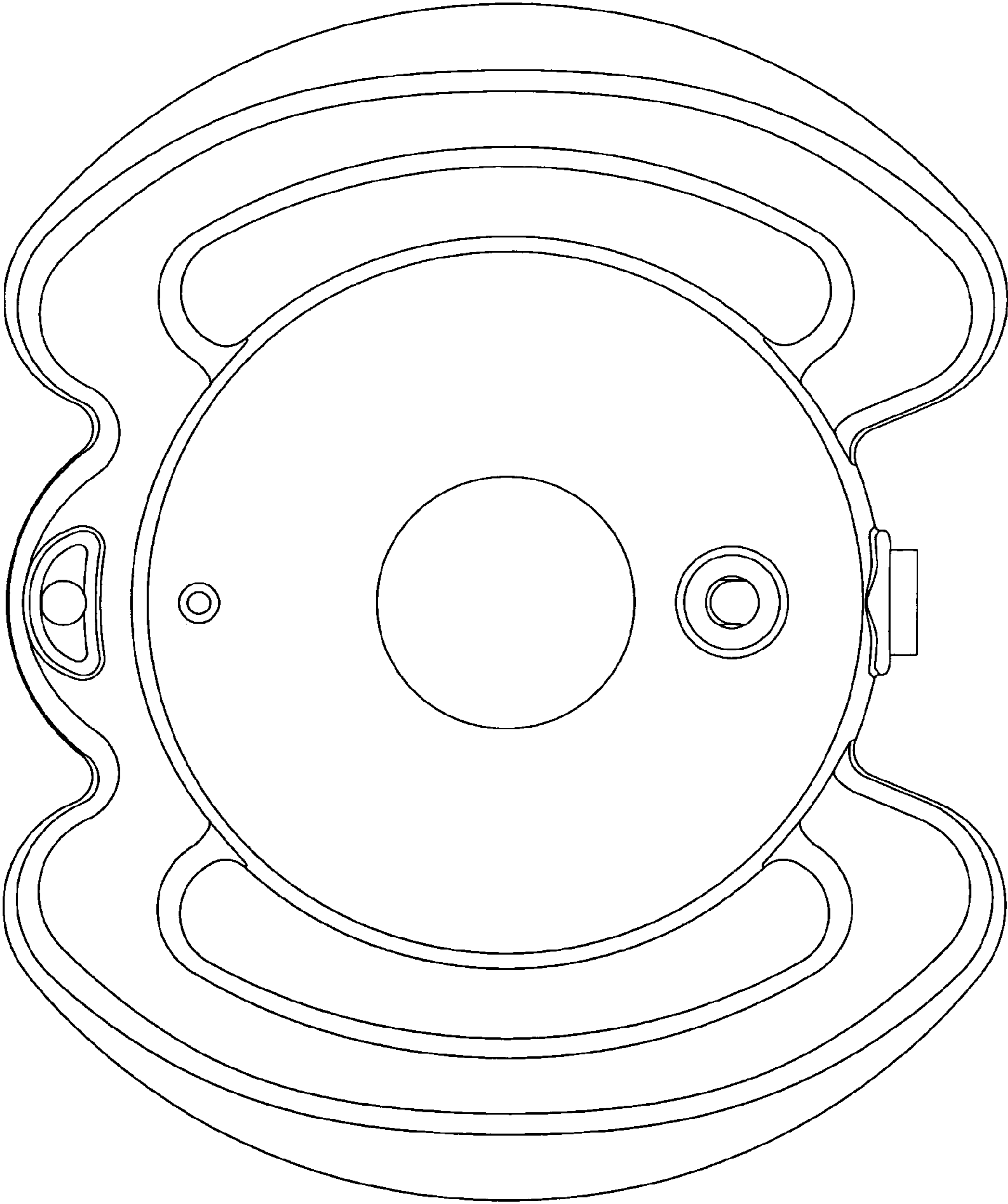


FIG 6

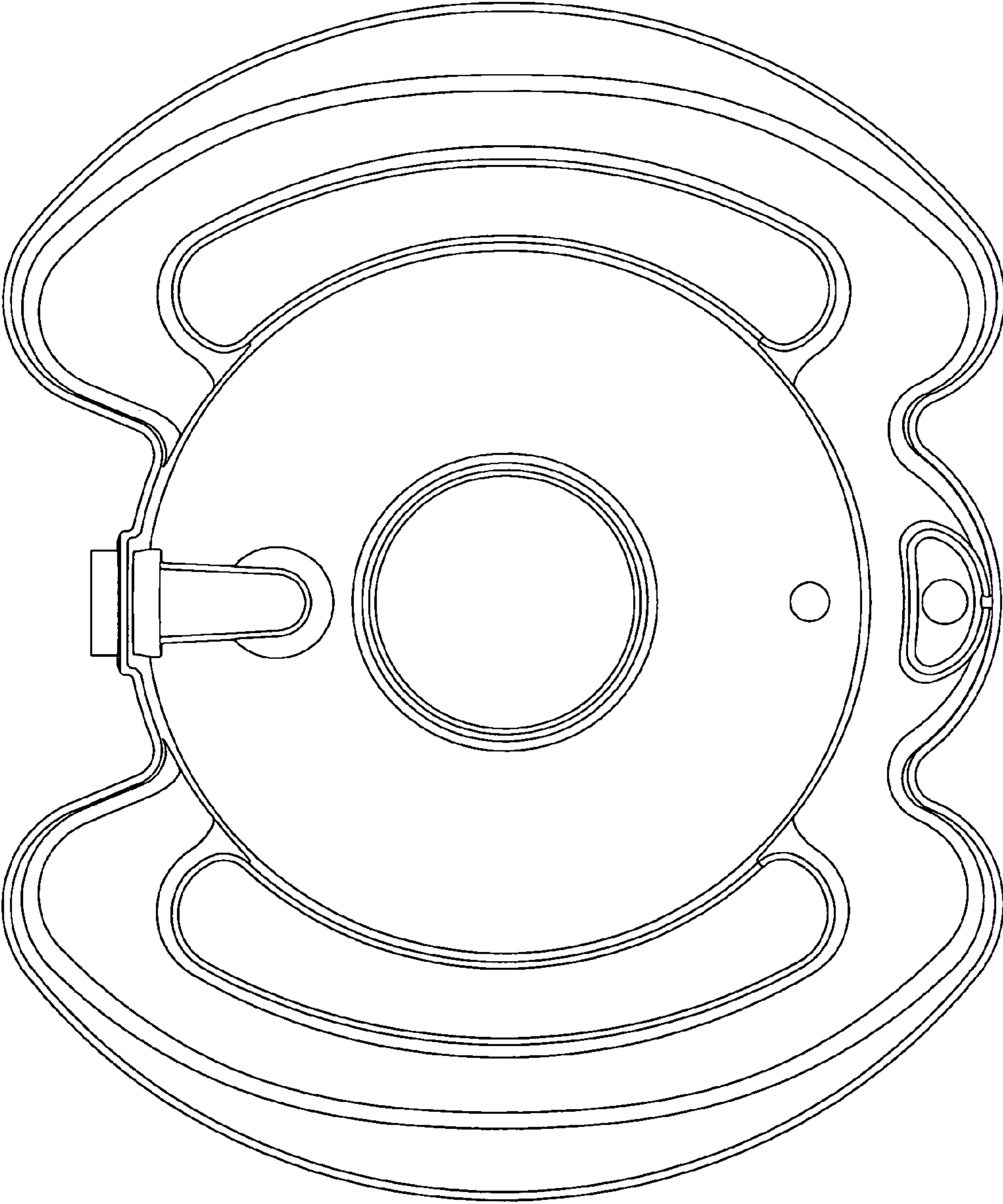


FIG 7

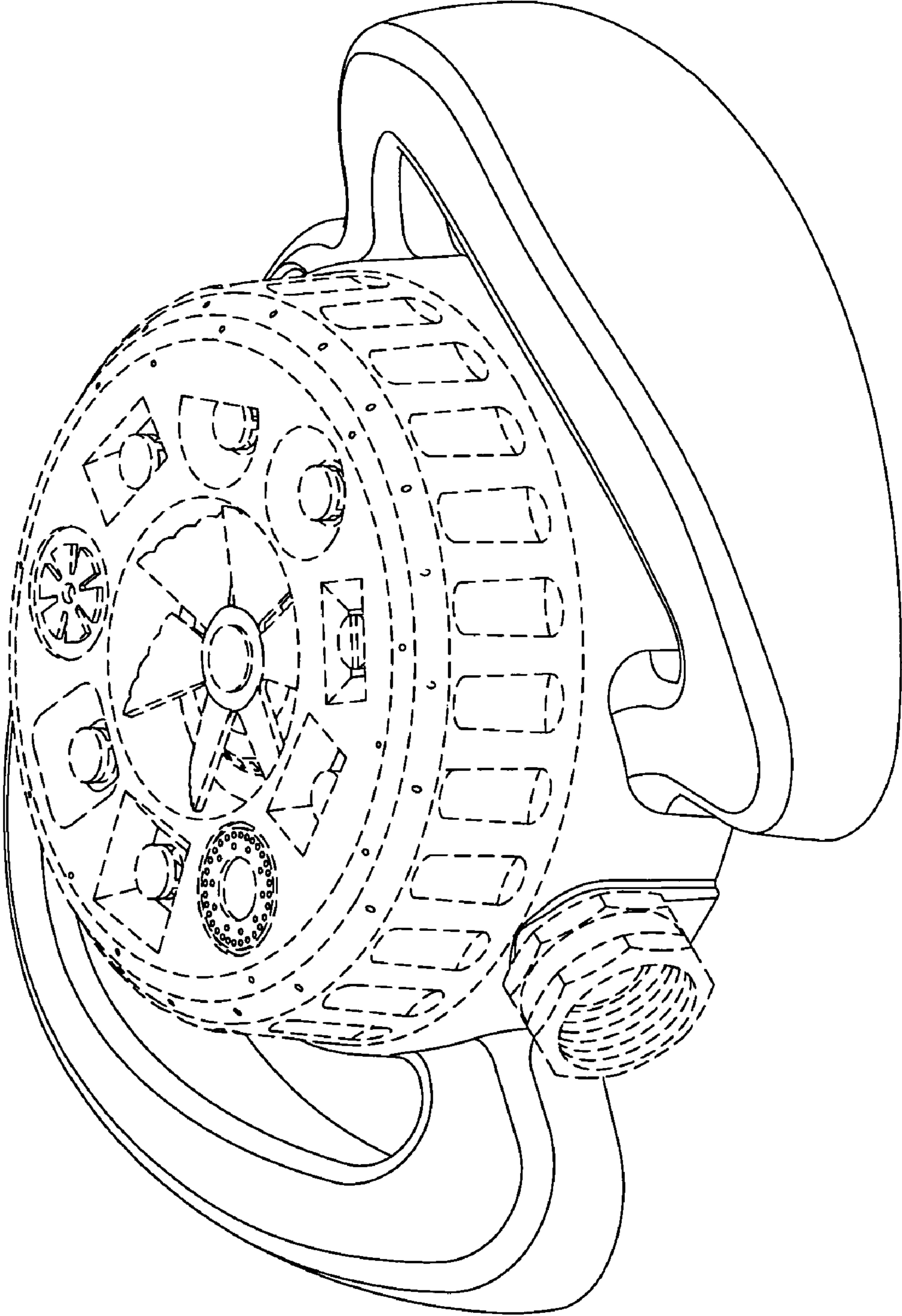


FIG 8