



US00D615152S

(12) **United States Design Patent**  
**Kah, Jr. et al.**

(10) **Patent No.:** **US D615,152 S**  
(45) **Date of Patent:** **\*\* May 4, 2010**

(54) **ROTARY NOZZLE HEAD**

(76) Inventors: **Carl L. C. Kah, Jr.**, 11517 Turtle Beach Rd., North Palm Beach, FL (US) 33408;  
**Carl L. C. Kah, III**, 778 Lakeside Dr., North Palm Beach, FL (US) 33408;  
**Weiming Feng**, 1117H2 Green Pine Blvd., West Palm Beach, FL (US) 33409

(\*\*) Term: **14 Years**

(21) Appl. No.: **29/335,517**

(22) Filed: **Apr. 16, 2009**

**Related U.S. Application Data**

(63) Continuation of application No. 11/947,571, filed on Nov. 29, 2007, and a continuation of application No. 12/348,864, filed on Jan. 5, 2009.

(51) **LOC (9) Cl.** ..... **23-01**

(52) **U.S. Cl.** ..... **D23/218; D23/214**

(58) **Field of Classification Search** ..... D23/213,  
D23/214, 217, 218; 239/276, 200–206, 542,  
239/DIG. 1, 237, 210

See application file for complete search history.

(56) **References Cited**

**U.S. PATENT DOCUMENTS**

D241,249 S *	8/1976	Elek	.....	D23/218
D264,491 S *	5/1982	Hunter	.....	D23/218
D293,815 S *	1/1988	Scott et al.	.....	D23/218
D388,502 S *	12/1997	Kah, III	.....	D23/214
6,145,758 A *	11/2000	Ogi et al.	.....	239/457
6,814,304 B2 *	11/2004	Onofrio	.....	239/201
6,942,164 B2 *	9/2005	Walker	.....	239/204
D527,791 S *	9/2006	Onofrio et al.	.....	D23/214

\* cited by examiner

*Primary Examiner*—Robin V Webster  
(74) *Attorney, Agent, or Firm*—Ostrolenk Faber LLP

(57) **CLAIM**

The ornamental design for a rotary nozzle head, as shown and described.

**DESCRIPTION**

FIG. 1 is a front elevation view of a rotary nozzle head including a filter showing my new design, the right side elevation view, left side elevation view and rear elevation view being identical thereto;

FIG. 2 is a top plan view thereof;

FIG. 3 is a bottom plan view thereof;

FIG. 4 is a top and front perspective view thereof;

FIG. 5 is a bottom and front perspective view thereof;

FIG. 6 is a front elevation view of a rotary nozzle head showing my new design, the right side elevation view, left side elevation view and rear elevation view being identical thereto;

FIG. 7 is a top plan view thereof;

FIG. 8 is a bottom plan view thereof;

FIG. 9 is a top and front perspective view thereof;

FIG. 10 is a top and bottom perspective view thereof;

FIG. 11 is a front elevation view of a rotary nozzle head mounted in a sprinkler riser showing my new design, the right side elevation view, left side elevation view and rear elevation view being identical thereto;

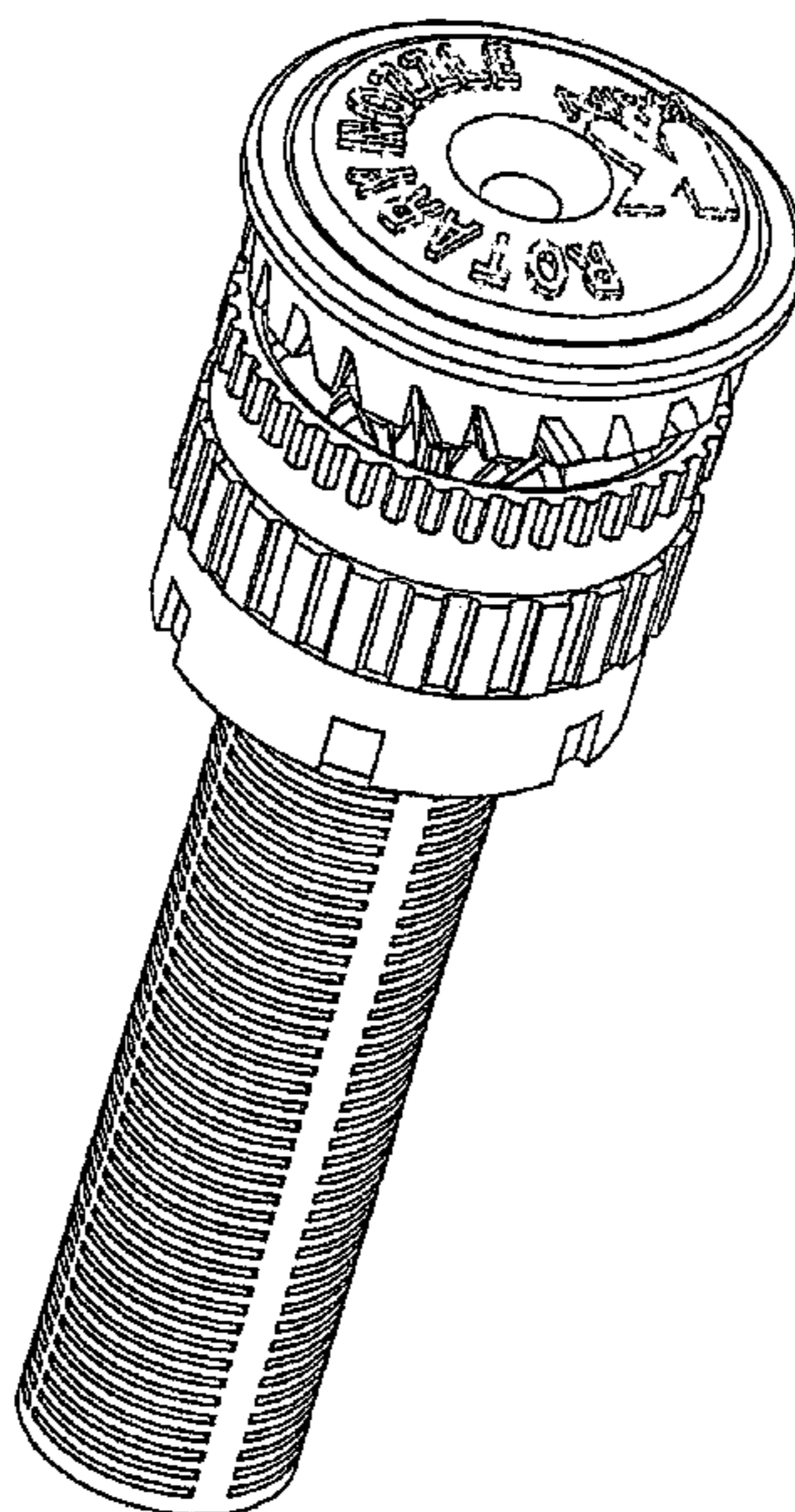
FIG. 12 is a top plan view thereof;

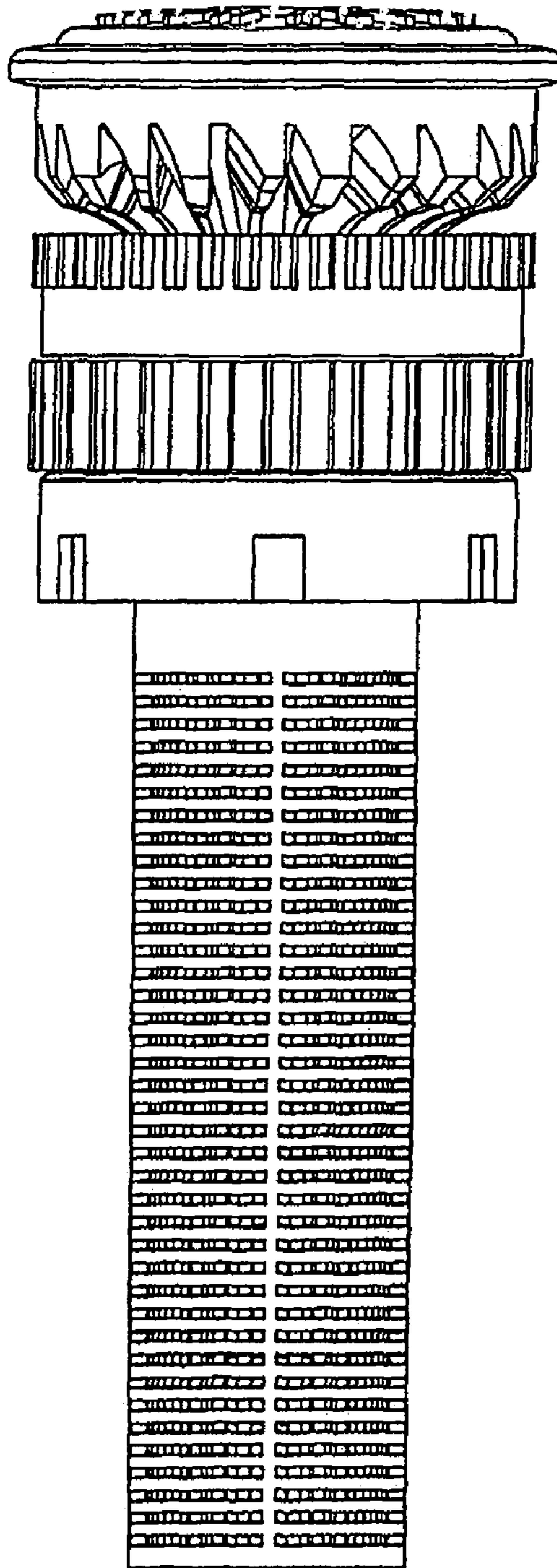
FIG. 13 is a bottom plan view thereof;

FIG. 14 is a top and front perspective view thereof; and,

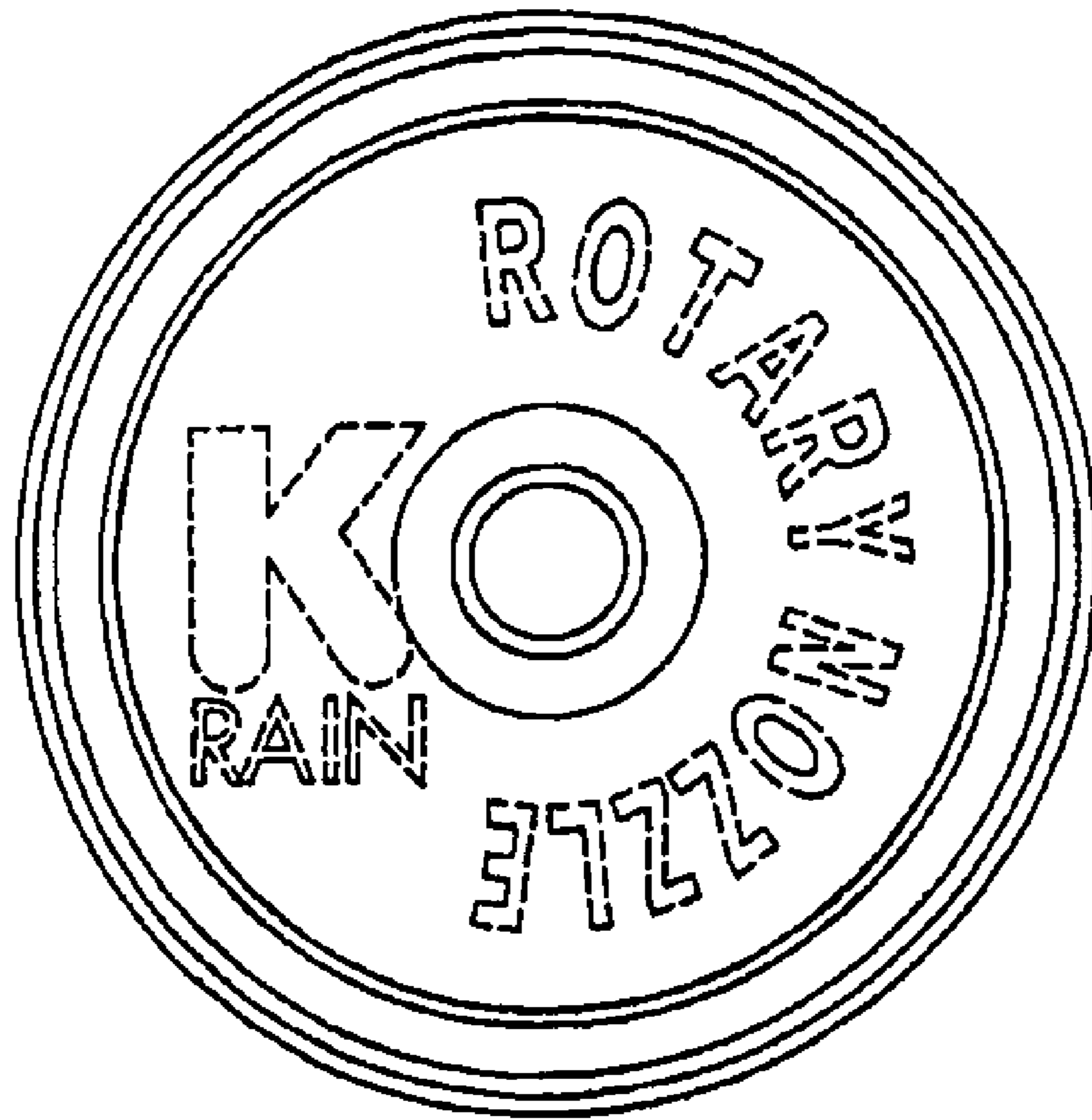
FIG. 15 is a bottom and front perspective view thereof.

**1 Claim, 15 Drawing Sheets**

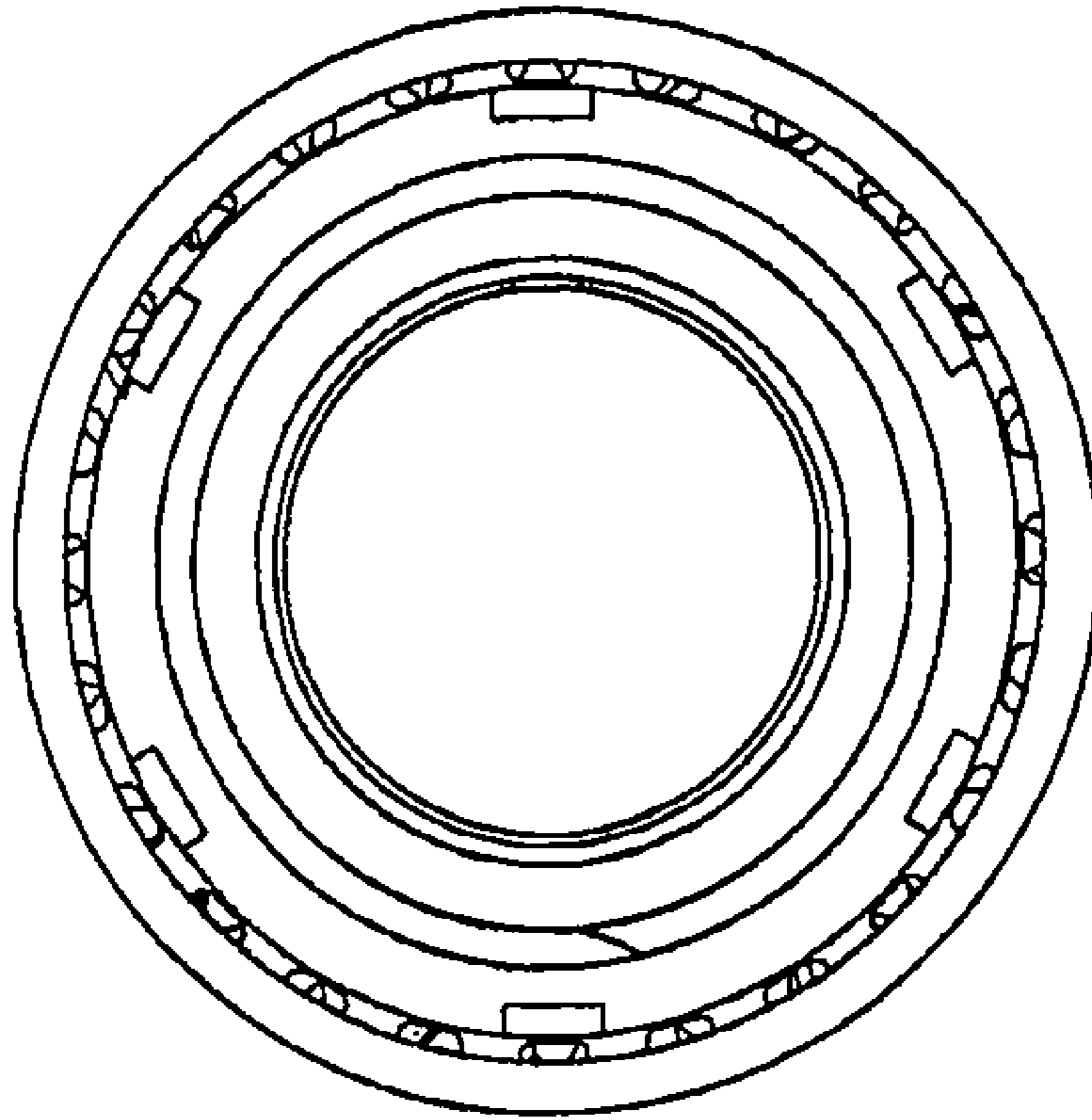




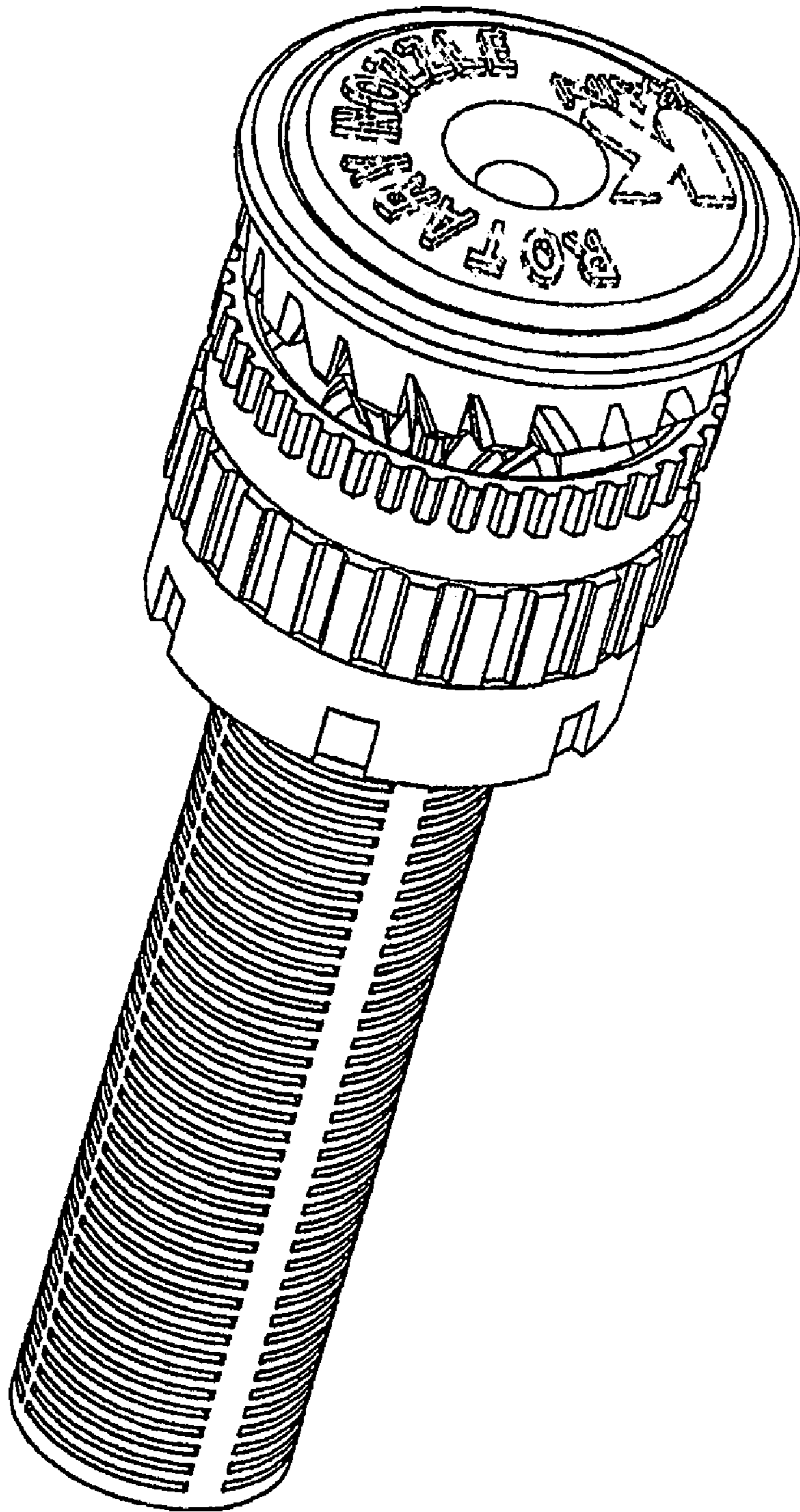
*Fig. 1*



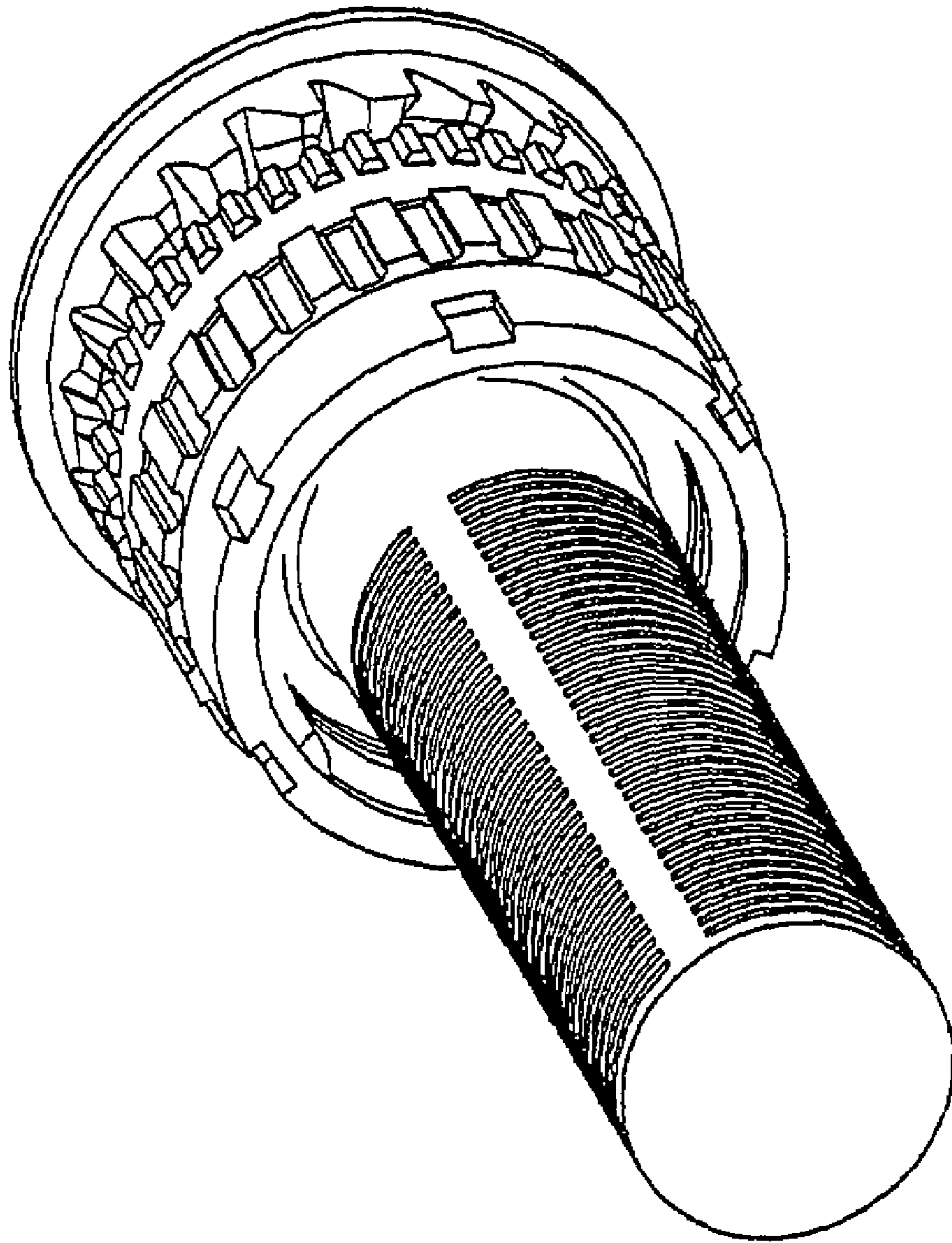
*Fig. 2*



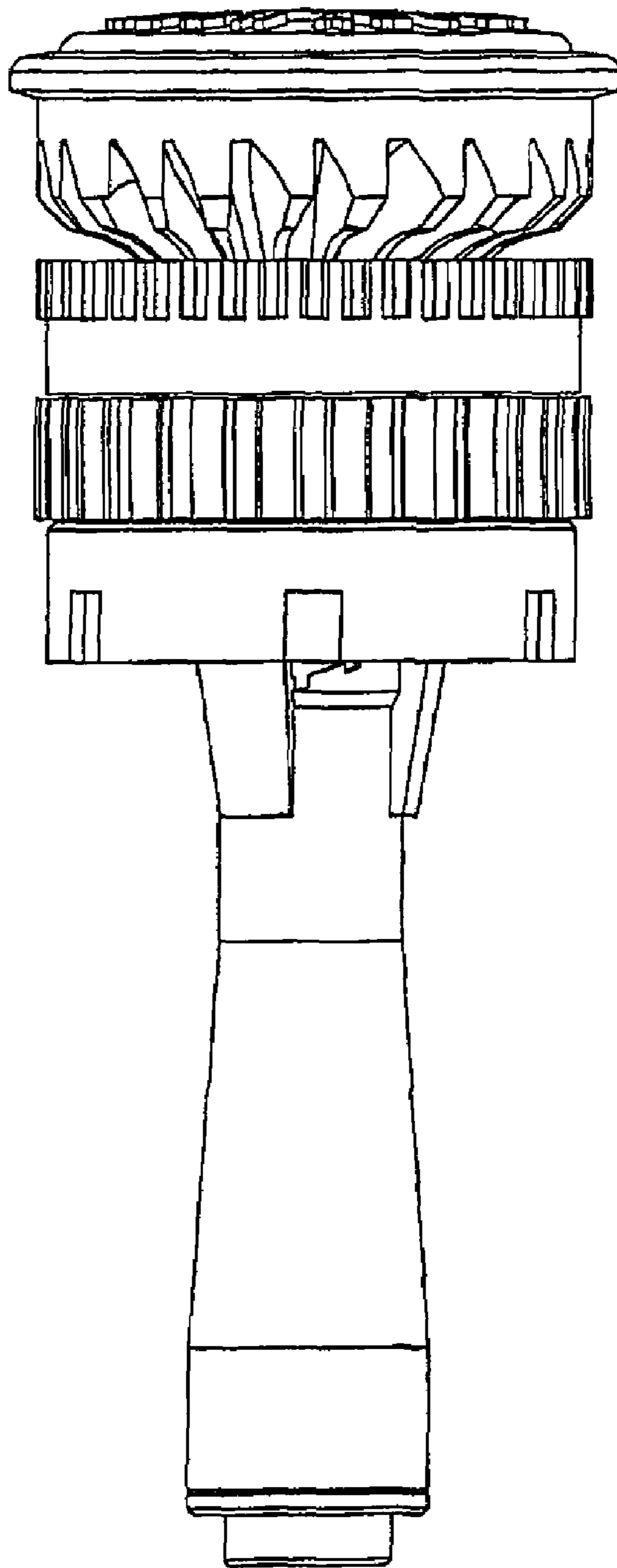
*Fig. 3*



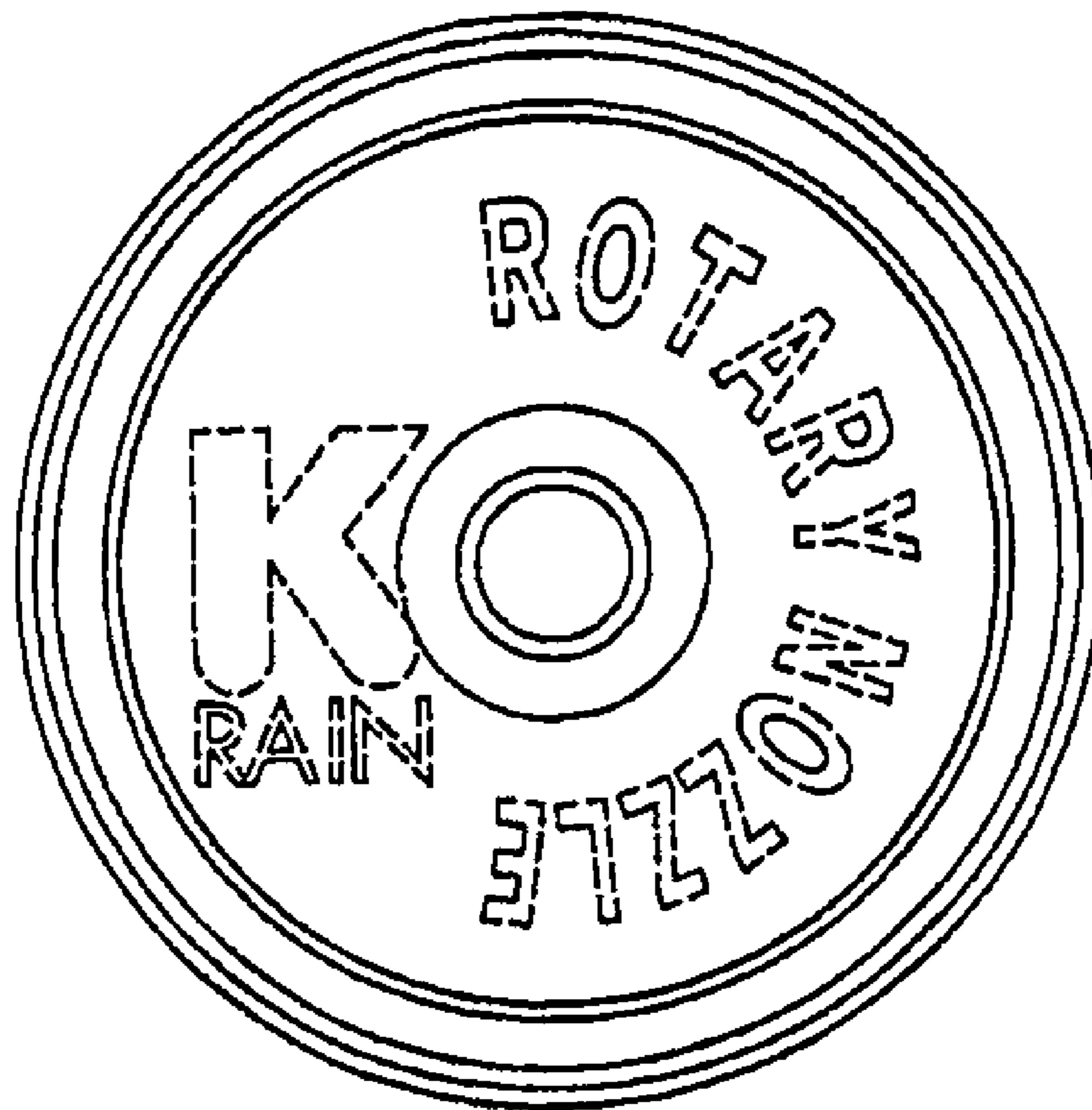
*Fig. 4*



*Fig. 5*

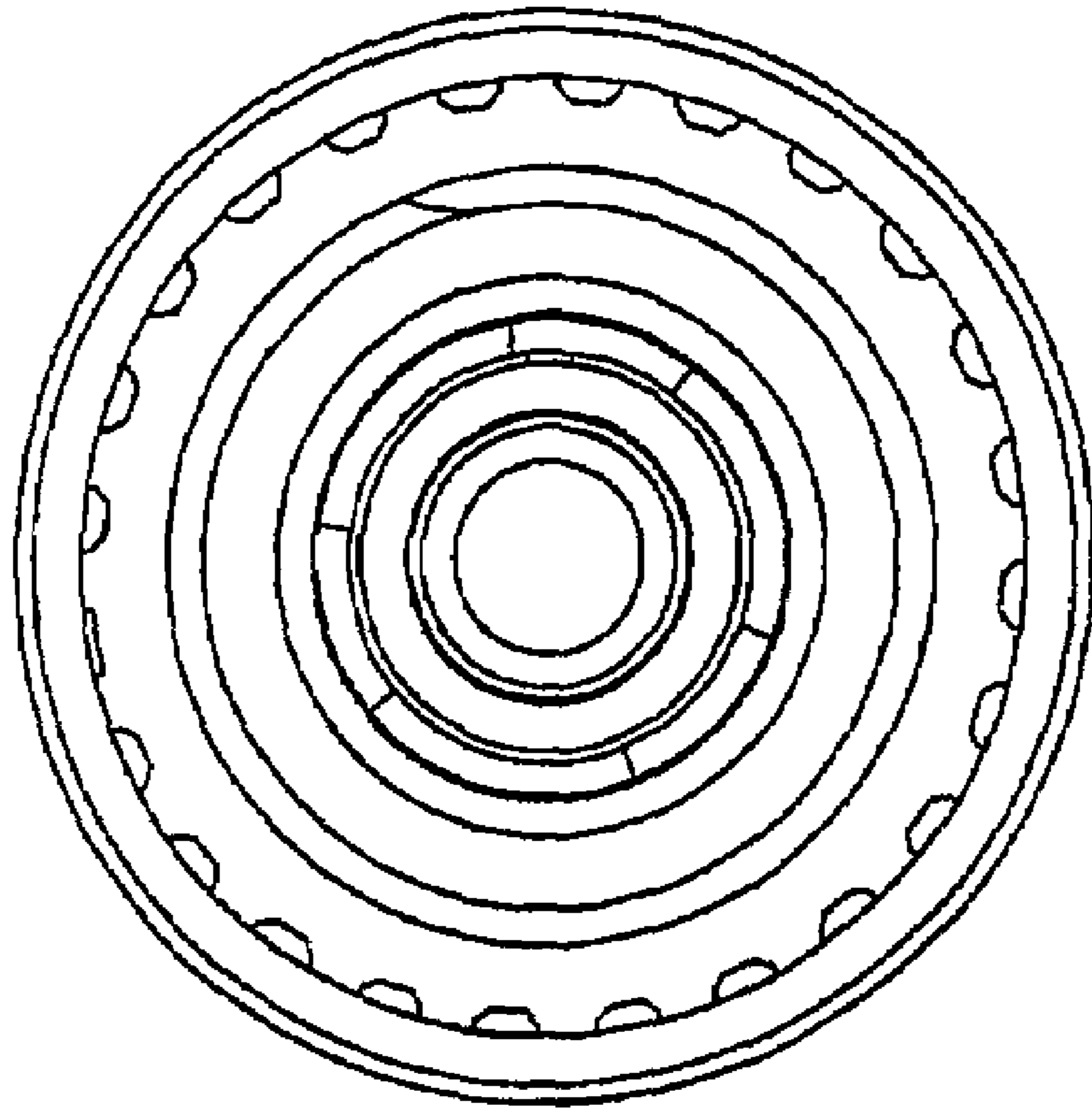


*Fig. 6*

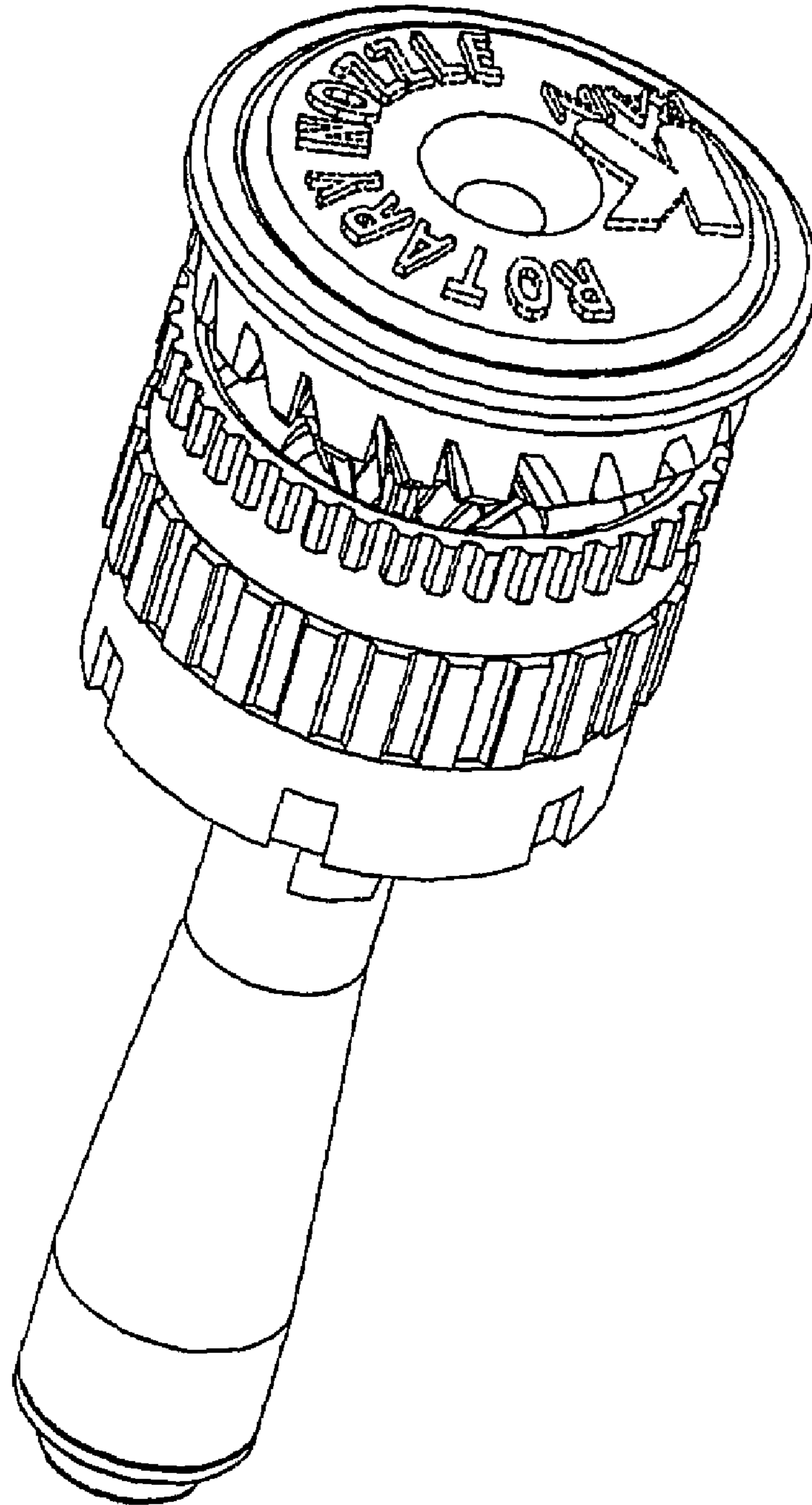


*Fig. 7*

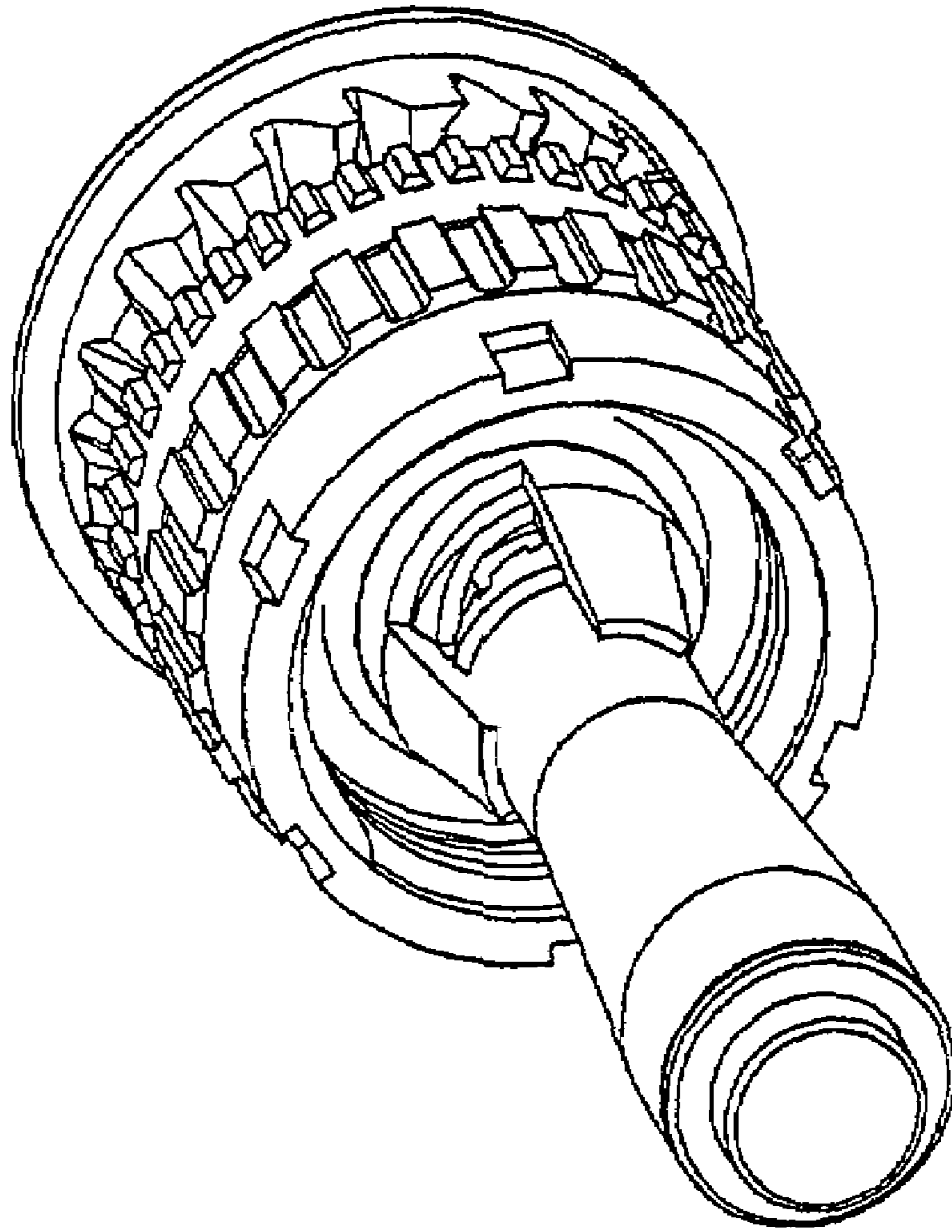




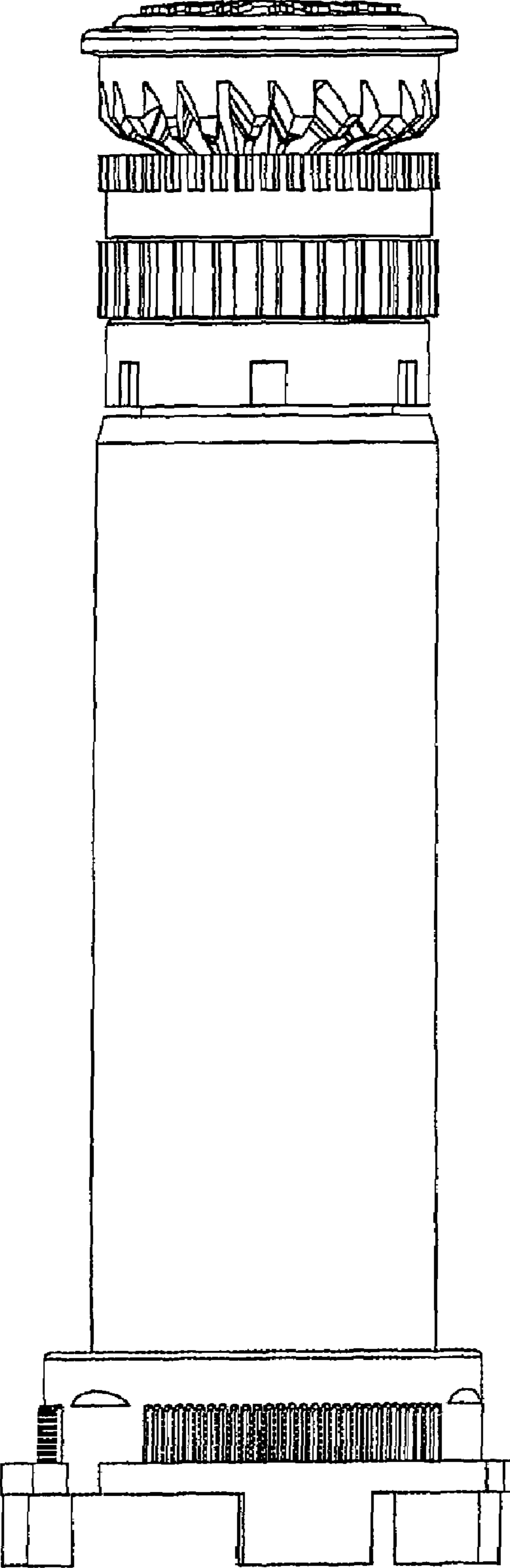
*Fig. 8*



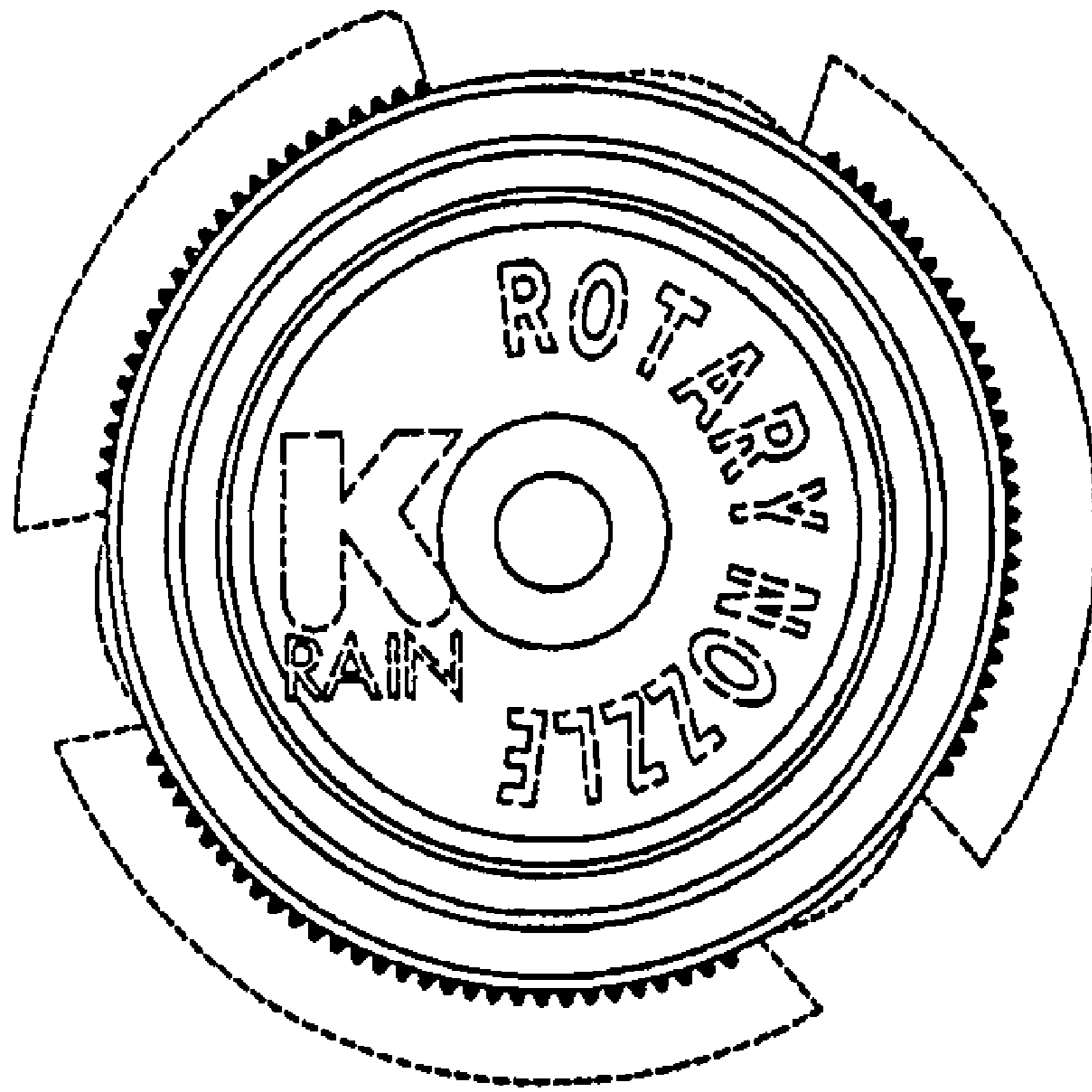
*Fig. 9*



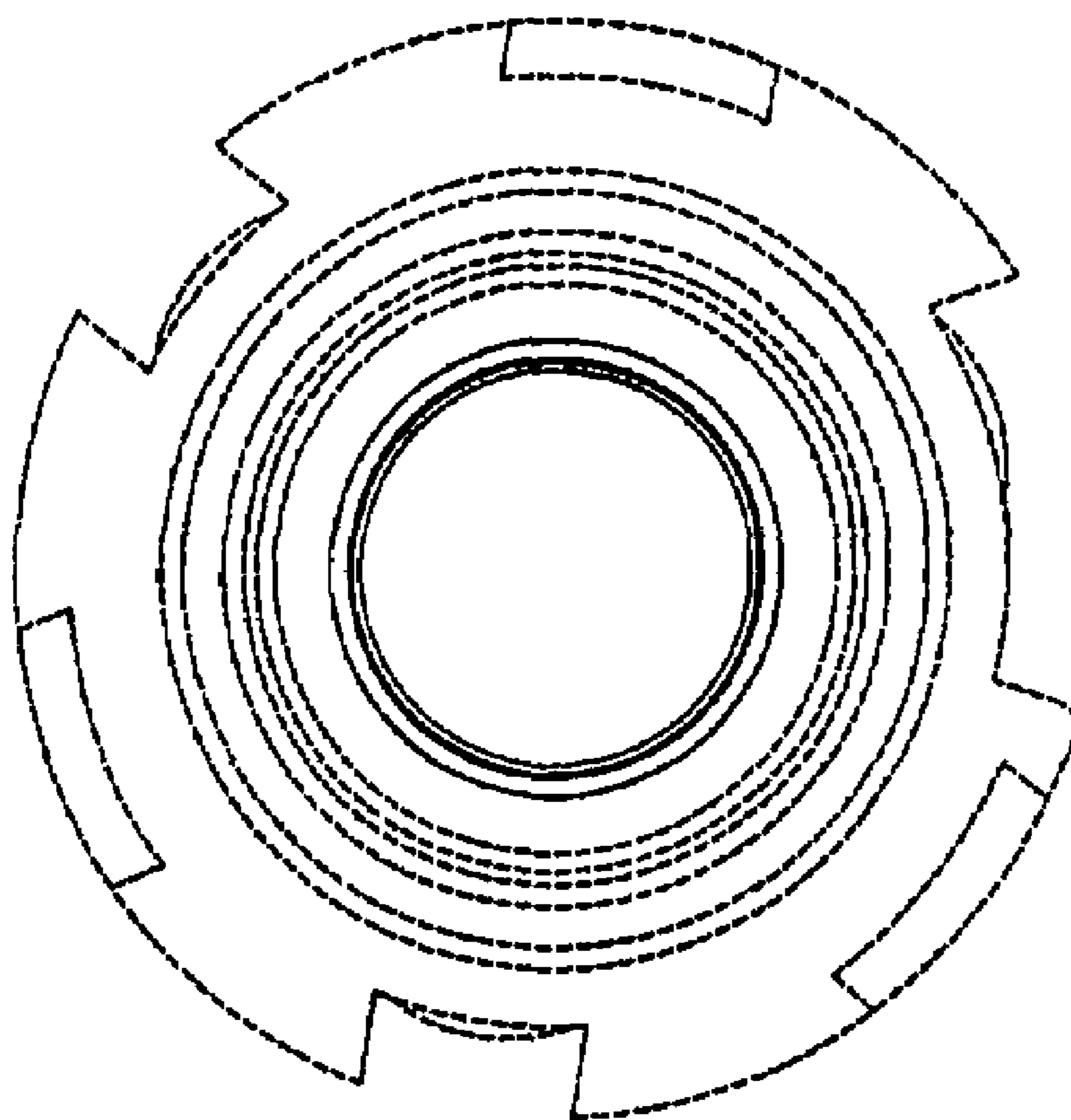
*Fig. 10*



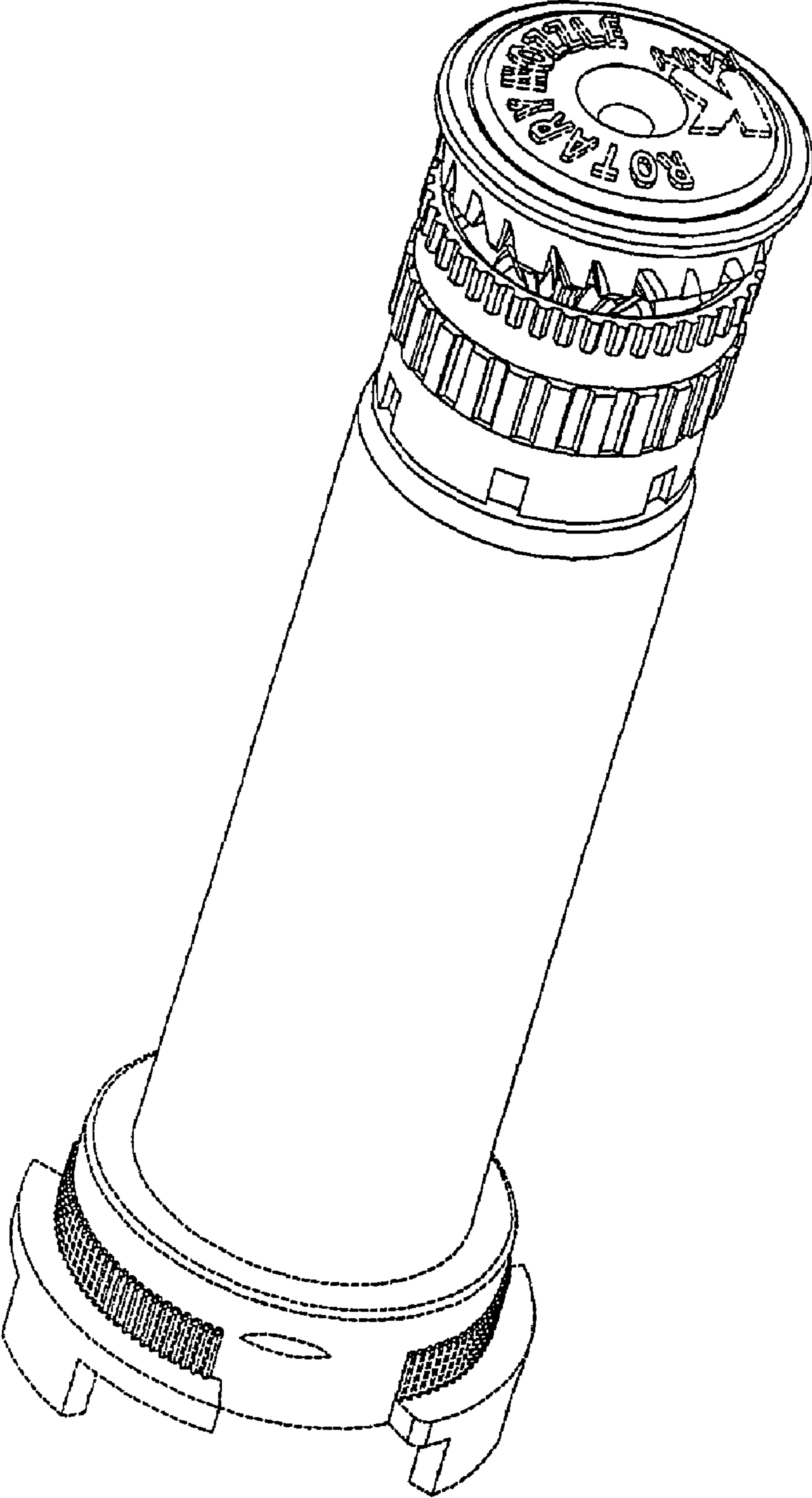
*Fig. 11*



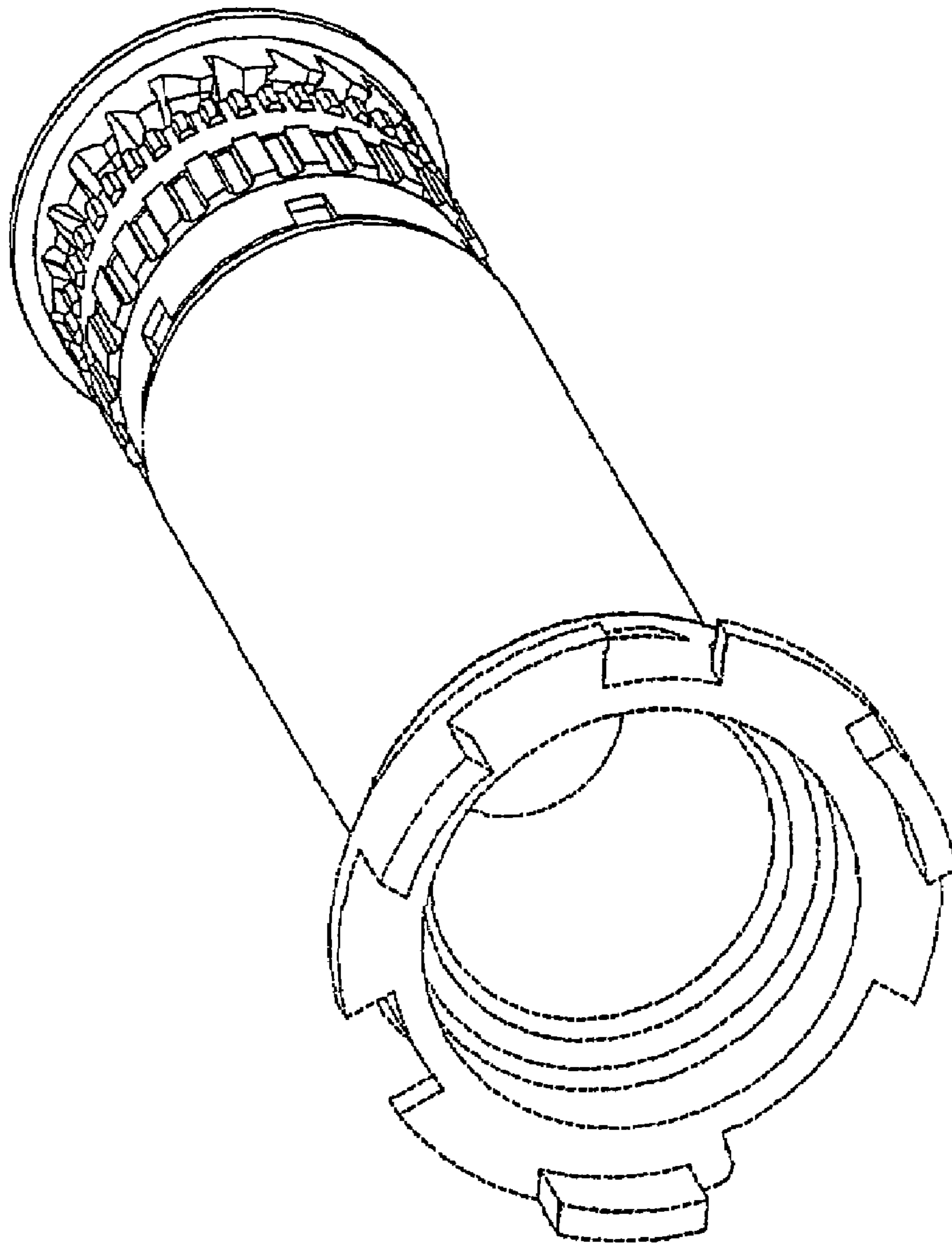
*Fig. 12*



*Fig. 13*



*Fig. 14*



*Fig. 15*