



US00D615150S

(12) **United States Design Patent**
Reid et al.

(10) **Patent No.:** **US D615,150 S**
(45) **Date of Patent:** **** May 4, 2010**

(54) **FILTER BLOCK FOR LIQUID FILTRATION**

(75) Inventors: **Roger P. Reid**, Caldwell, ID (US);
Bruce D. Saaski, Nampa, ID (US)

(73) Assignee: **Omnipure Filter Co., Inc.**, Caldwell, ID (US)

(**) Term: **14 Years**

(21) Appl. No.: **29/334,388**

(22) Filed: **Mar. 25, 2009**

Related U.S. Application Data

(63) Continuation-in-part of application No. 11/858,765, filed on Sep. 20, 2007.

(51) **LOC (9) Cl.** **23-01**

(52) **U.S. Cl.** **D23/209**

(58) **Field of Classification Search** D23/207,
D23/209; 210/282, 464

See application file for complete search history.

(56) **References Cited**

U.S. PATENT DOCUMENTS

532,939 A	1/1895	Balch
2,580,209 A	12/1951	Wiley
2,720,278 A	10/1955	Wiley
3,375,933 A	4/1968	Rodman
3,538,020 A	11/1970	Heskett et al.

(Continued)

FOREIGN PATENT DOCUMENTS

EP 0345381 12/1989

(Continued)

OTHER PUBLICATIONS

Bear, Jacob, "Dynamics of Fluids in Porous Media", American Elsevier Publishing Company Inc., 1972, pp. 45-47.

Primary Examiner—Robin V Webster

(74) *Attorney, Agent, or Firm*—Pedersen & Co PLLC; Ken J. Pedersen; Barbara S. Pedersen

(57) **CLAIM**

The ornamental design for a filter block for liquid filtration, as shown and described.

DESCRIPTION

FIG. 1 is a front perspective view of a filter block for liquid filtration showing our new design;

FIG. 2 is a rear view of FIG. 1;

FIG. 3 is a front view of FIG. 1;

FIG. 4 is a top view of FIG. 1;

FIG. 5 is a bottom view of FIG. 1;

FIG. 6 is a cross-sectional view taken along line 6—6 of FIG. 1;

FIG. 7 is a cross-sectional view taken along line 7—7 of FIG. 3;

FIG. 8 is a front perspective view of another embodiment for a filter block for liquid filtration having a shorter axial rib than that in FIGS. 1—7;

FIG. 9 is a rear view of FIG. 8;

FIG. 10 is a front view of FIG. 8;

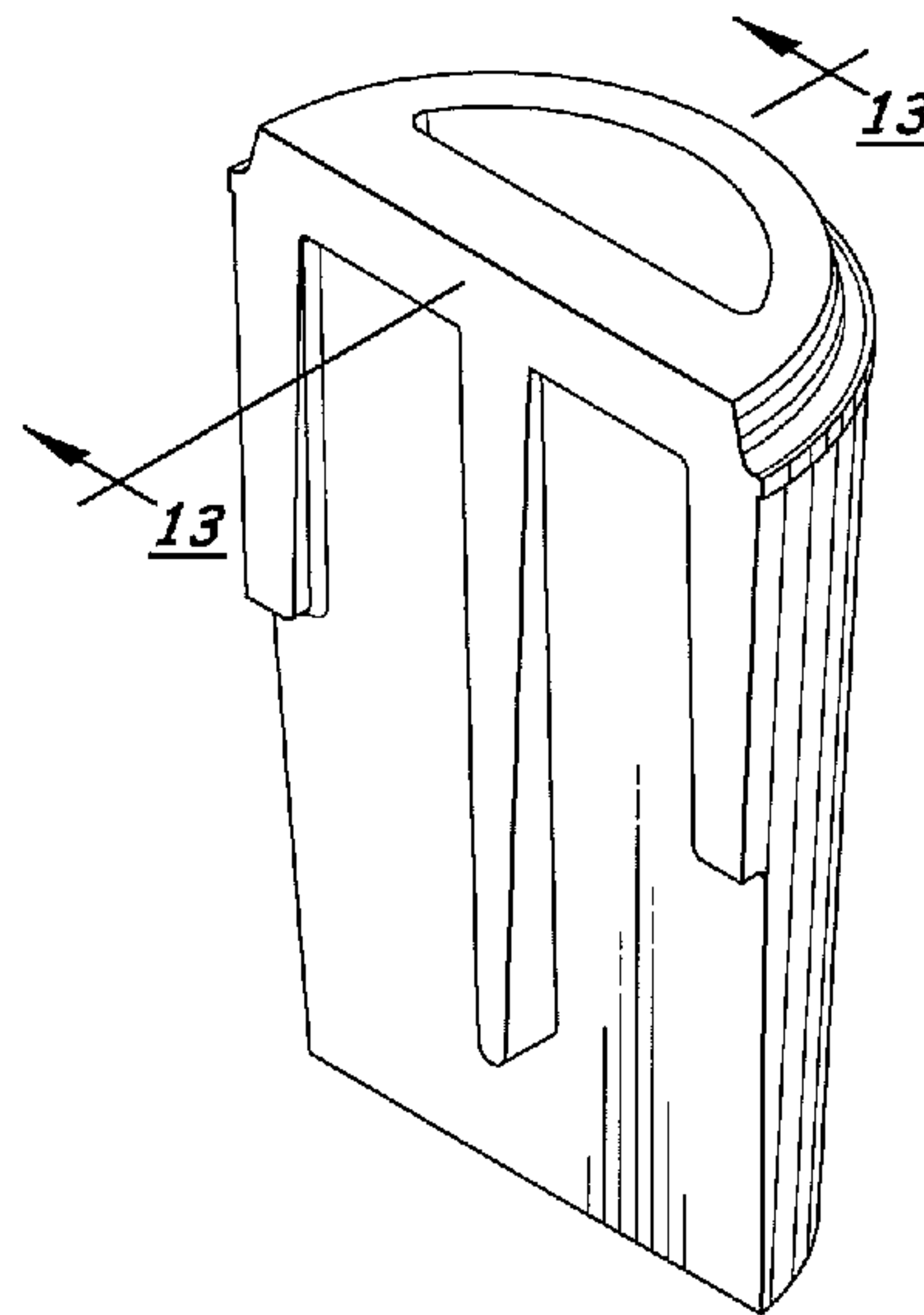
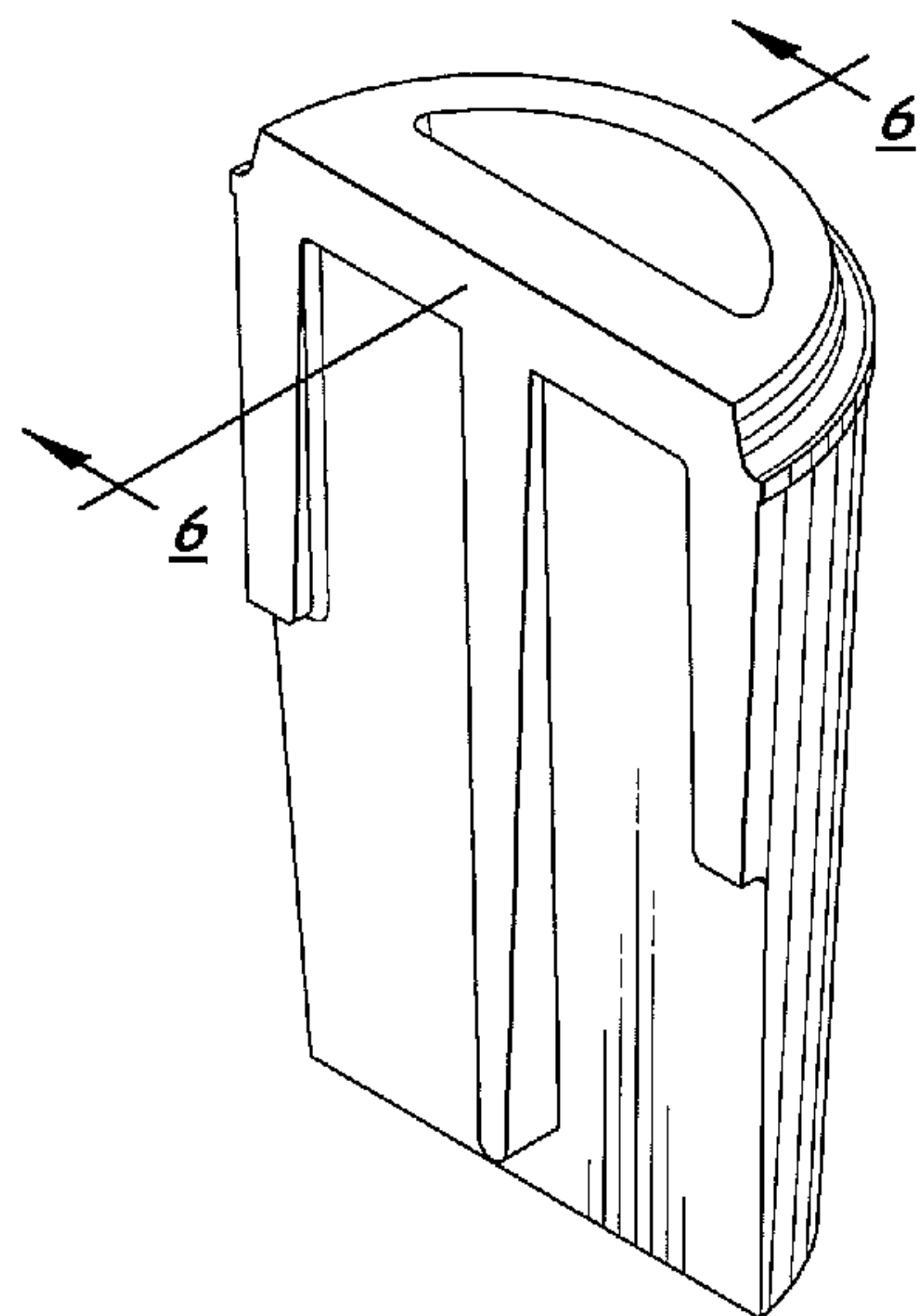
FIG. 11 is a top view of FIG. 8;

FIG. 12 is a bottom view of FIG. 8;

FIG. 13 is a cross-sectional view taken along line 13—13 of FIG. 8; and,

FIG. 14 is a cross-sectional view taken along line 14—14 of FIG. 10.

1 Claim, 4 Drawing Sheets



US D615,150 S

U.S. PATENT DOCUMENTS

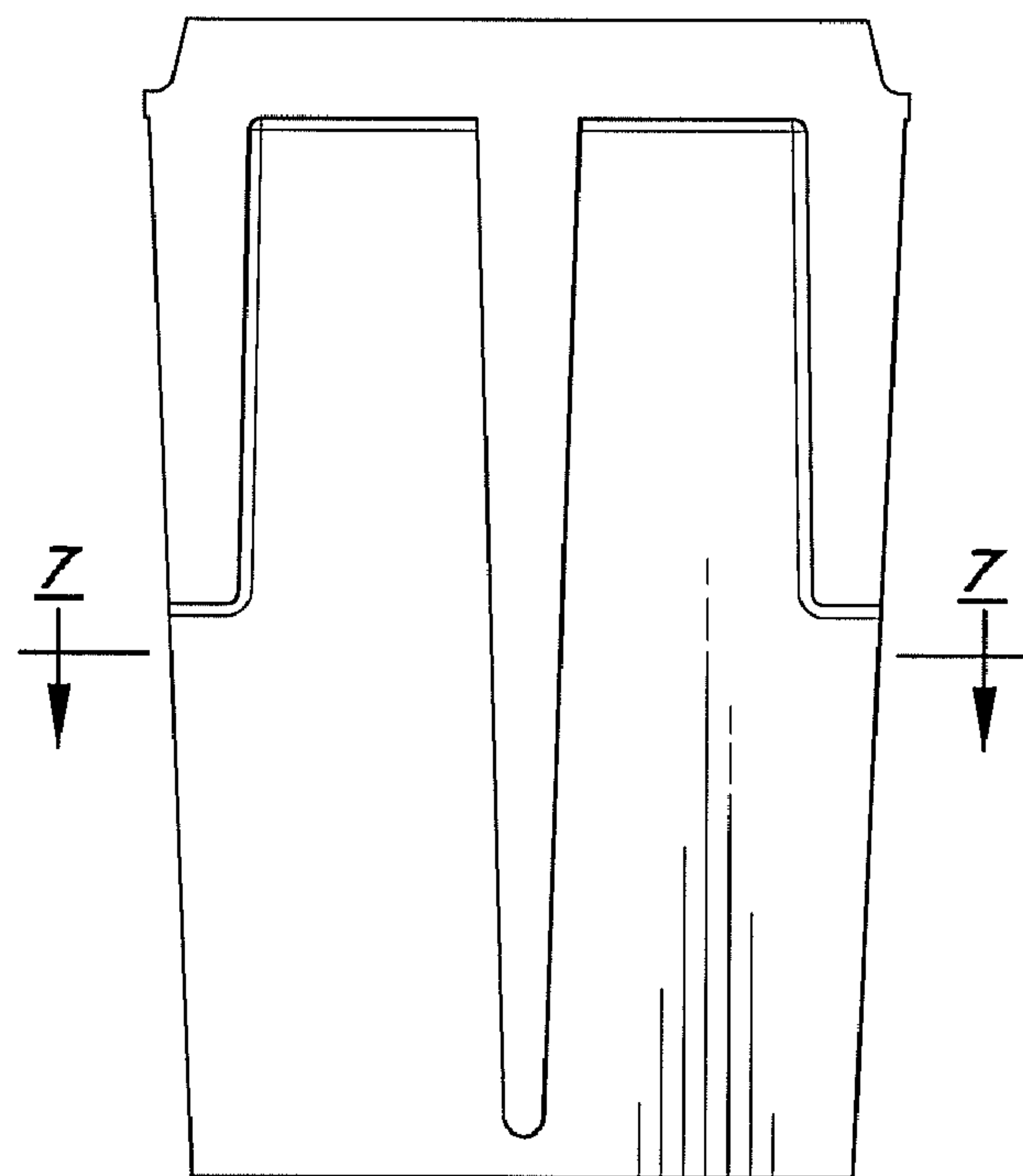
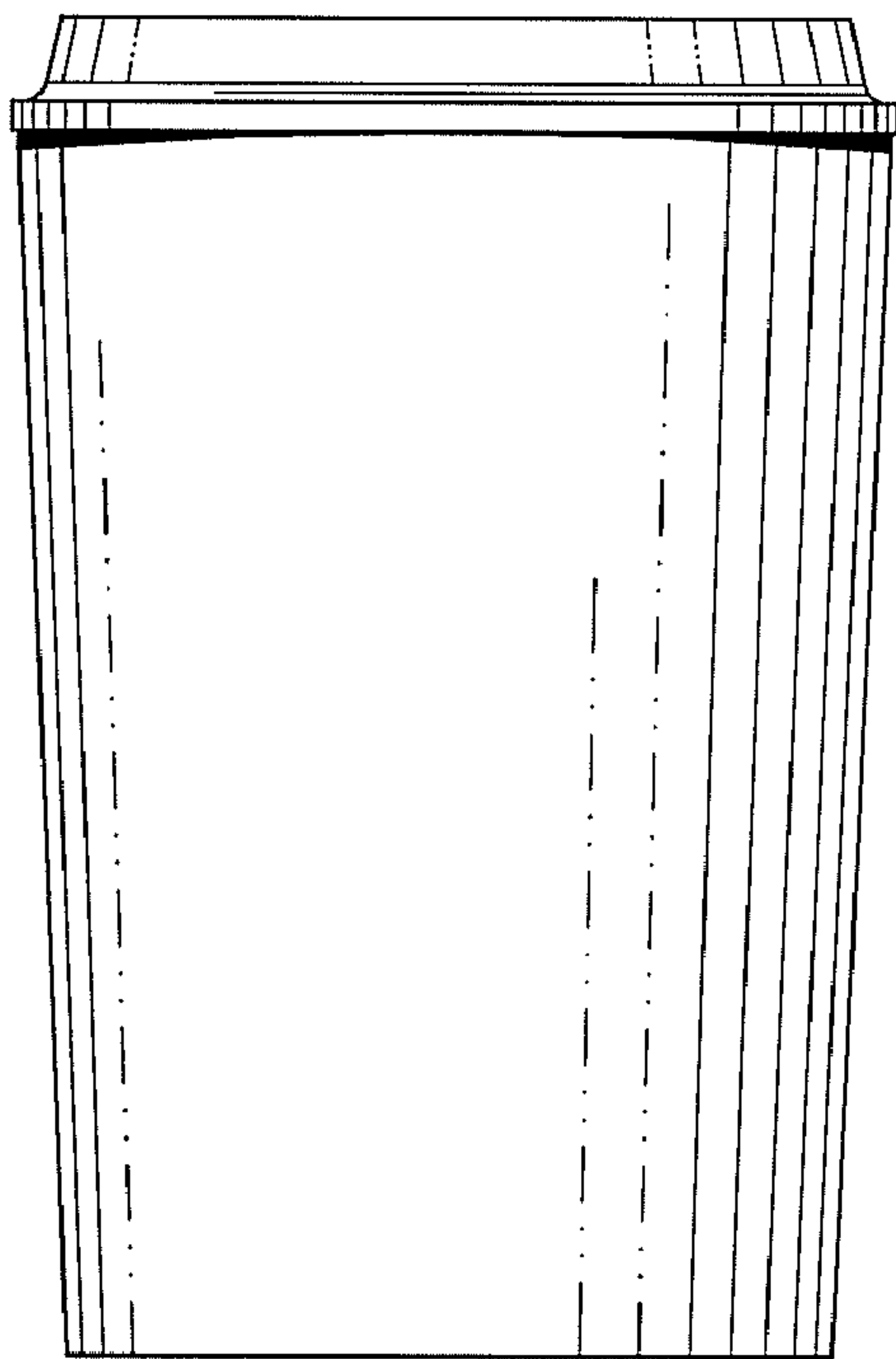
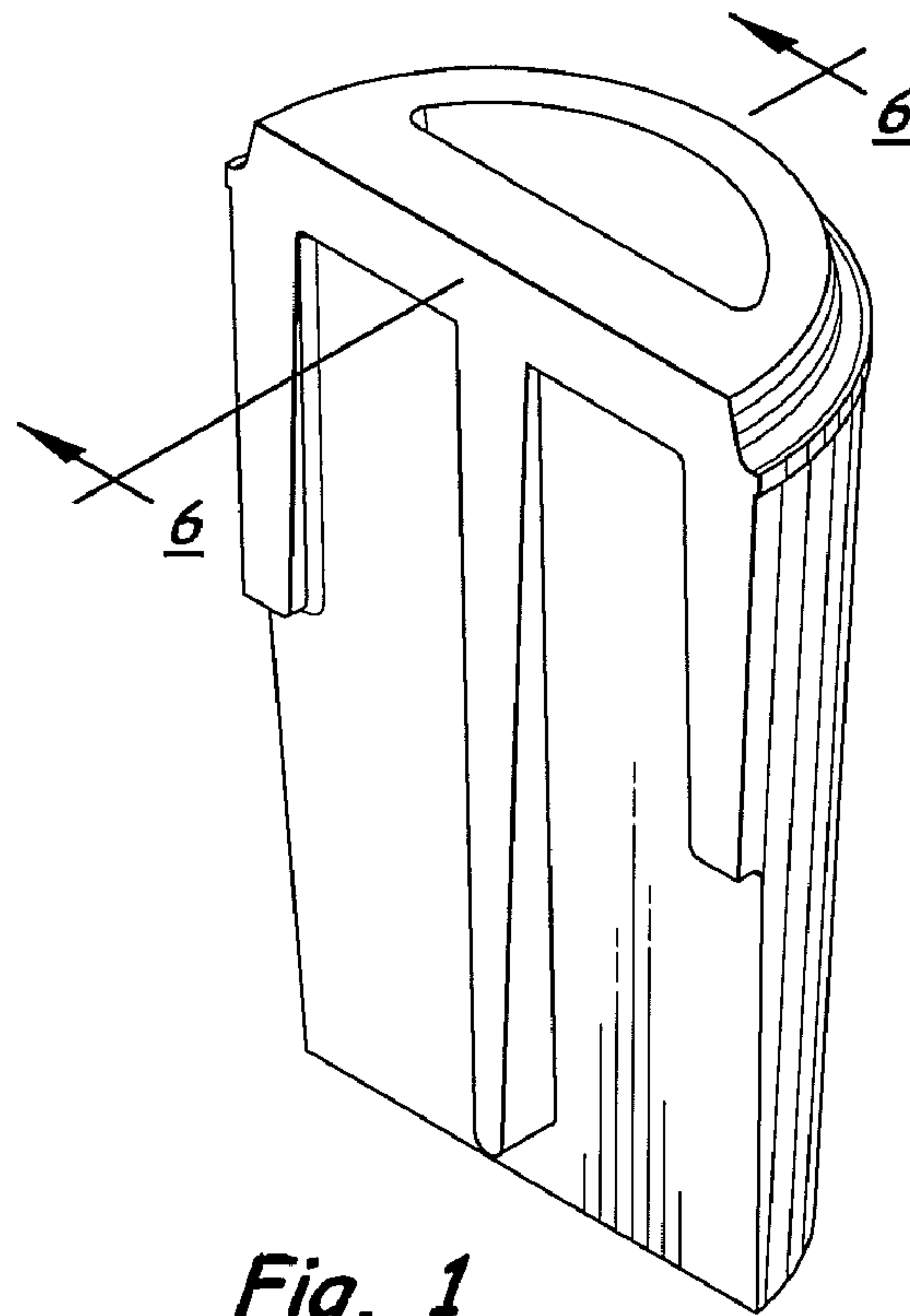
3,721,072	A	3/1973	Clapham	
3,746,642	A	7/1973	Bergstrom	
3,788,486	A	1/1974	Bergstrom	
4,306,971	A	12/1981	Hankammer	
4,664,683	A	5/1987	Degen et al.	
4,665,050	A	5/1987	Degen et al.	
4,666,600	A	5/1987	Hankammer	
4,753,728	A	6/1988	Vander Bilt et al.	
4,859,386	A	8/1989	Vanderbilt et al.	
4,895,648	A	1/1990	Hankammer	
4,969,996	A	11/1990	Hankammer	
4,980,073	A	12/1990	Woodruff	
5,017,318	A	5/1991	Vanderbilt et al.	
5,019,311	A	5/1991	Koslow	
5,024,764	A	6/1991	Holler	
5,076,912	A	12/1991	Belz	
5,147,722	A	9/1992	Koslow	
5,189,092	A	2/1993	Koslow	
5,225,078	A	7/1993	Polasky et al.	
5,256,285	A	10/1993	Tomita et al.	
5,344,558	A	9/1994	Kool	
5,352,274	A	10/1994	Blakley	
5,443,735	A	8/1995	Kirnbauer et al.	
5,486,285	A	1/1996	Feeney	
D380,535	S *	7/1997	Joergensen	D23/365
5,679,248	A	10/1997	Blaney	
D398,184	S	9/1998	Silverberg et al.	
D405,157	S	2/1999	Hayes et al.	
5,873,995	A	2/1999	Huang et al.	
5,922,803	A	7/1999	Koslow	
D415,922	S	11/1999	Kawasaki et al.	
D416,163	S	11/1999	Doritty et al.	
5,980,743	A	11/1999	Bairischer	
6,056,809	A	5/2000	Chapman	
6,074,550	A	6/2000	Hofmann et al.	
6,099,728	A	8/2000	Bairischer	
D435,084	S	12/2000	Northen et al.	
6,238,552	B1 *	5/2001	Shannon	210/94
RE37,216	E	6/2001	Koslow	
6,280,824	B1	8/2001	Insley et al.	
6,290,646	B1	9/2001	Cosentino et al.	
6,290,848	B1	9/2001	Tanner et al.	
6,322,615	B1	11/2001	Chapman	
6,368,504	B1	4/2002	Kuennen	

6,395,190	B1	5/2002	Koslow	
6,413,303	B2	7/2002	Gelderland et al.	
6,524,477	B1	2/2003	Hughes	
6,565,749	B1	5/2003	Hou	
6,638,426	B1	10/2003	Fritter et al.	
6,841,067	B1	1/2005	Hofmann et al.	
6,989,101	B2	1/2006	Cumberland et al.	
D529,127	S *	9/2006	Cueman	D23/209
7,169,466	B2	1/2007	Taylor et al.	
7,297,263	B2	11/2007	Nelson	
7,303,683	B2	12/2007	Cumberland	
7,378,015	B2	5/2008	Rinker et al.	
7,396,461	B2	7/2008	Bommi et al.	
D579,515	S	10/2008	Bell et al.	
2002/0005377	A1	1/2002	Tanner et al.	
2002/0062740	A1	5/2002	Brukov	
2002/0195407	A1	12/2002	Levy	
2003/0140785	A1	7/2003	Koslow	
2004/0195180	A1	10/2004	Cumberland et al.	
2004/0251190	A1	12/2004	Cumberland et al.	
2005/0072729	A1	4/2005	Bridges et al.	
2005/0172731	A1	8/2005	Anklin et al.	
2006/0000763	A1	1/2006	Rinker et al.	
2006/0021928	A1	2/2006	Nelson	
2006/0260997	A1	11/2006	Nelson	
2007/0215536	A1	9/2007	Bommi et al.	
2008/0190827	A1	8/2008	Rinker	

FOREIGN PATENT DOCUMENTS

EP	1354857	A4	10/2003
GB	2390987	A	1/2004
IN	320/MUMNP		8/2005
WO	WO 98/14265		4/1988
WO	WO 99/10076		3/1999
WO	WO 01/23306		4/2001
WO	WO 02/41970		5/2002
WO	WO 02/053262		7/2002
WO	WO 03/048693	A1	6/2003
WO	WO2004/000732	A1	12/2003
WO	WO 2005/094966	A1	10/2005
WO	WO2005/095284	A1	10/2005
WO	WO2006/037420	A1	4/2006
WO	WO2006/121932	A1	11/2006

* cited by examiner



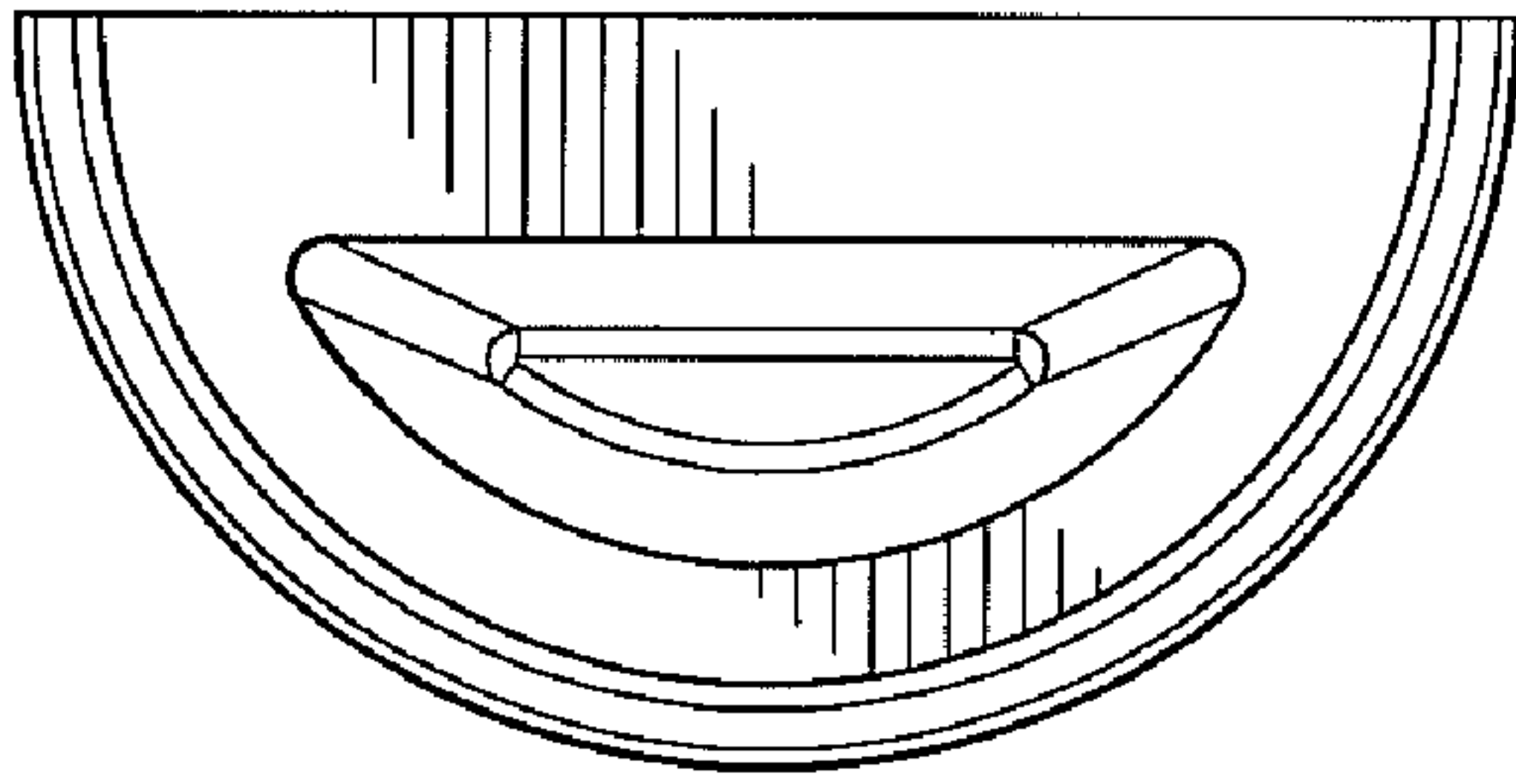


Fig. 4

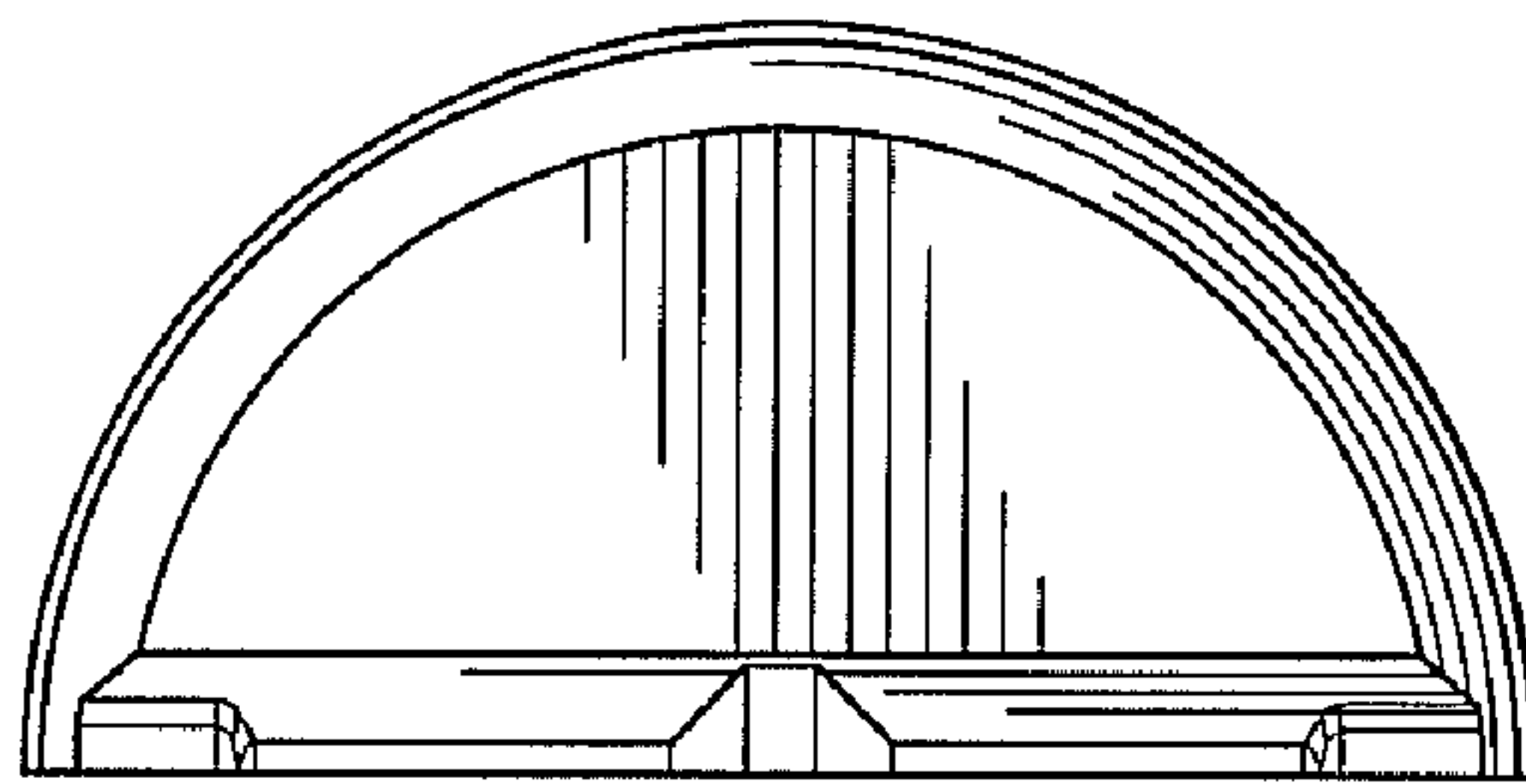


Fig. 5

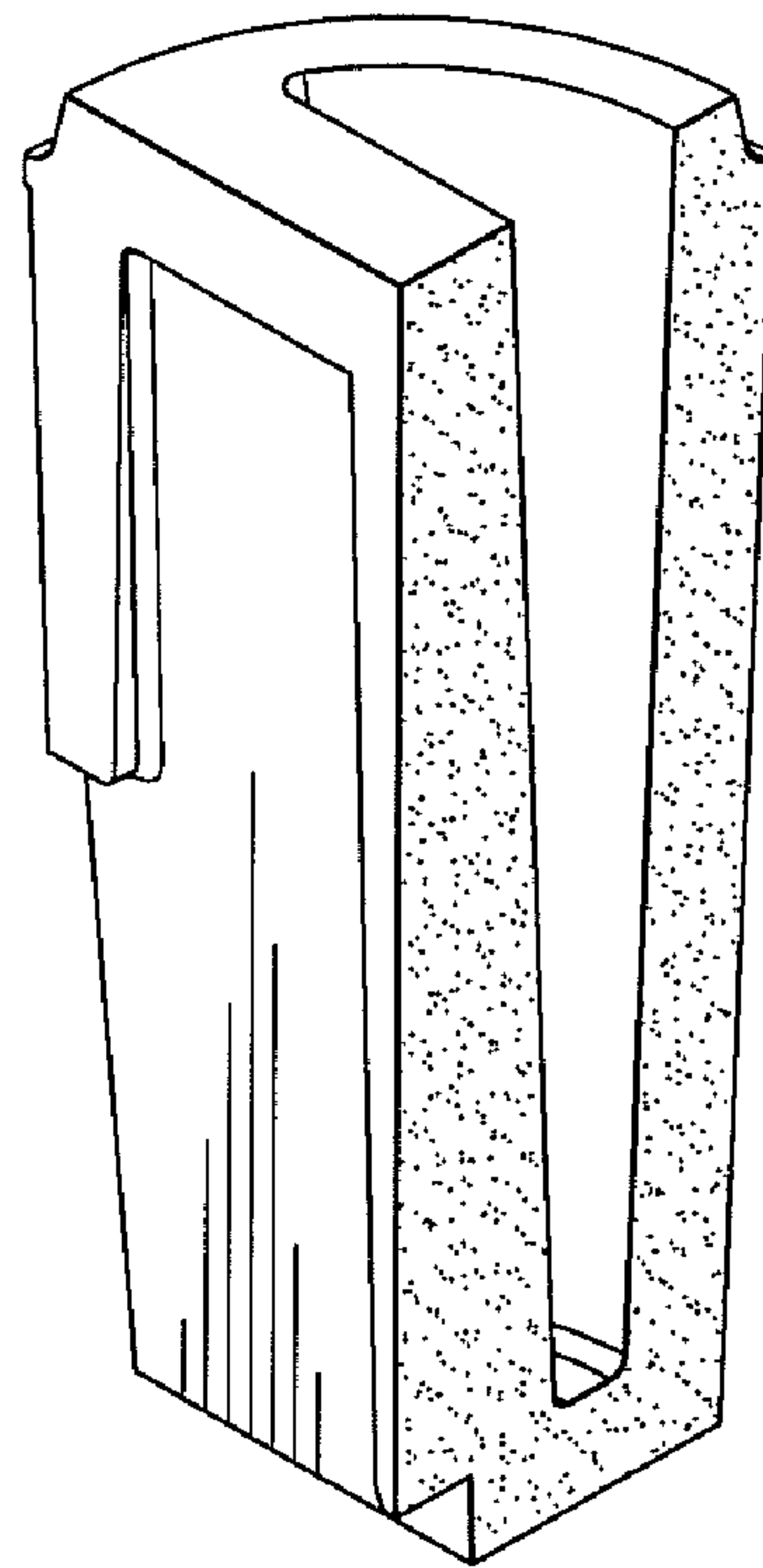


Fig. 6

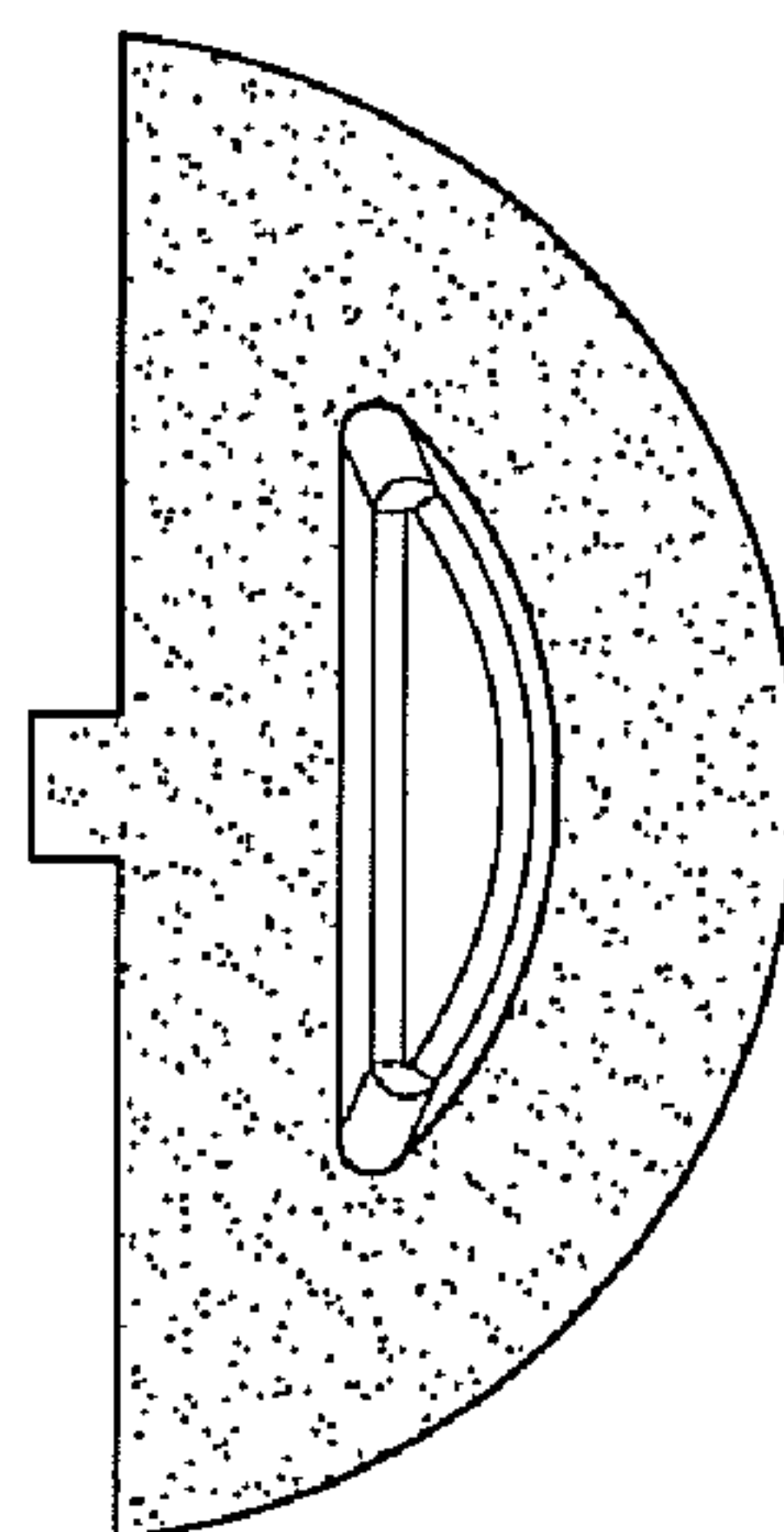


Fig. 7

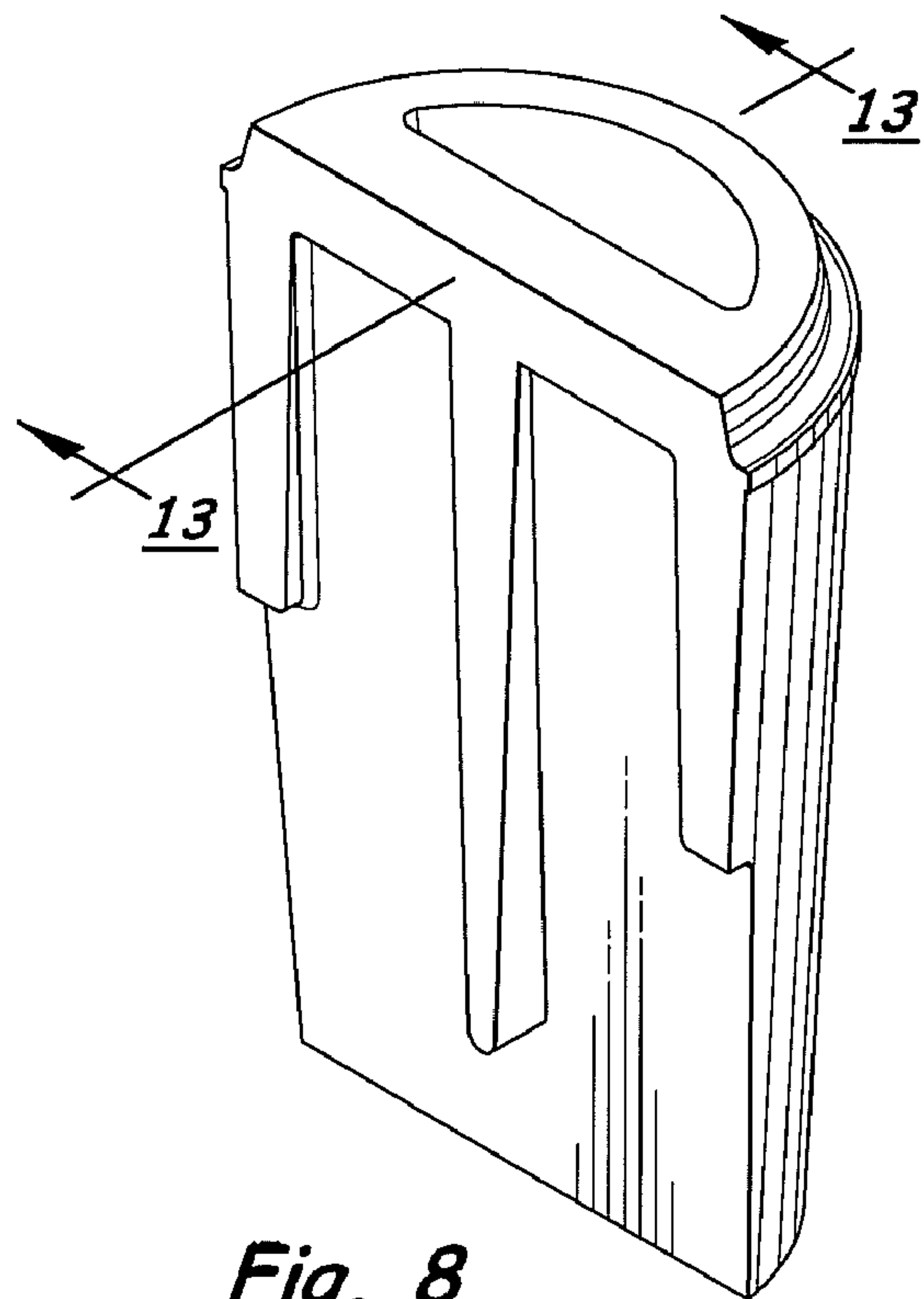


Fig. 8

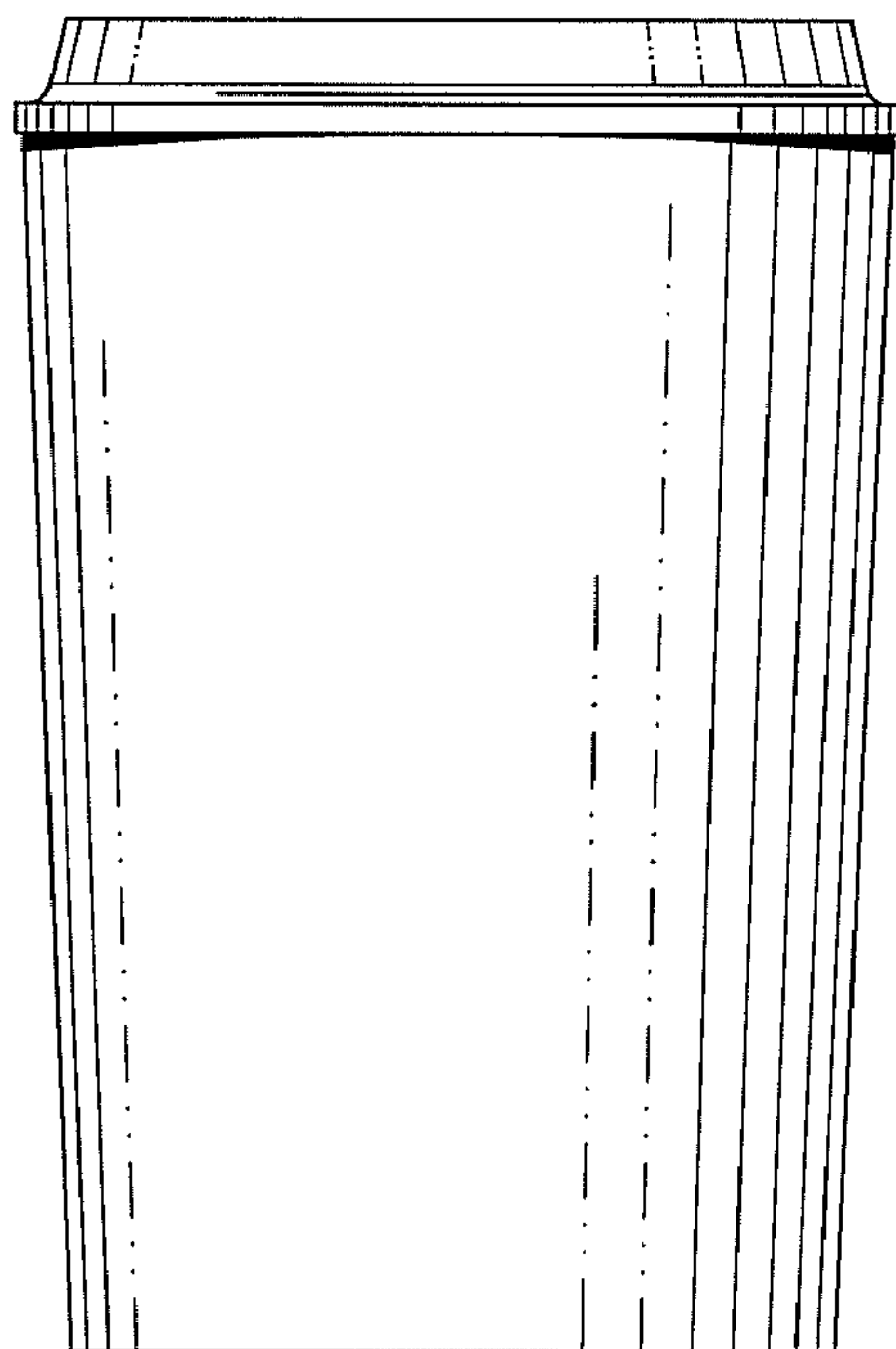


Fig. 9

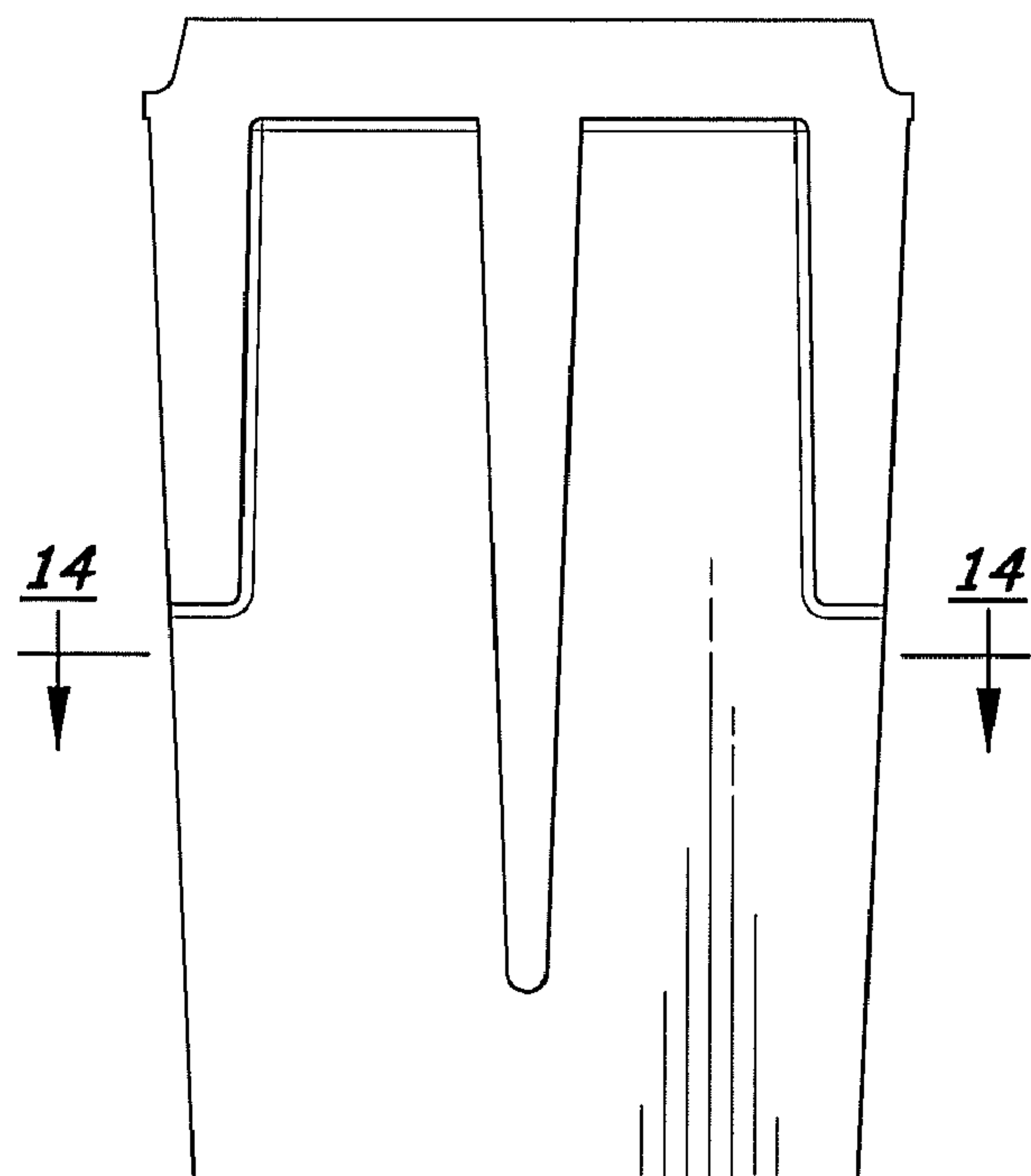


Fig. 10

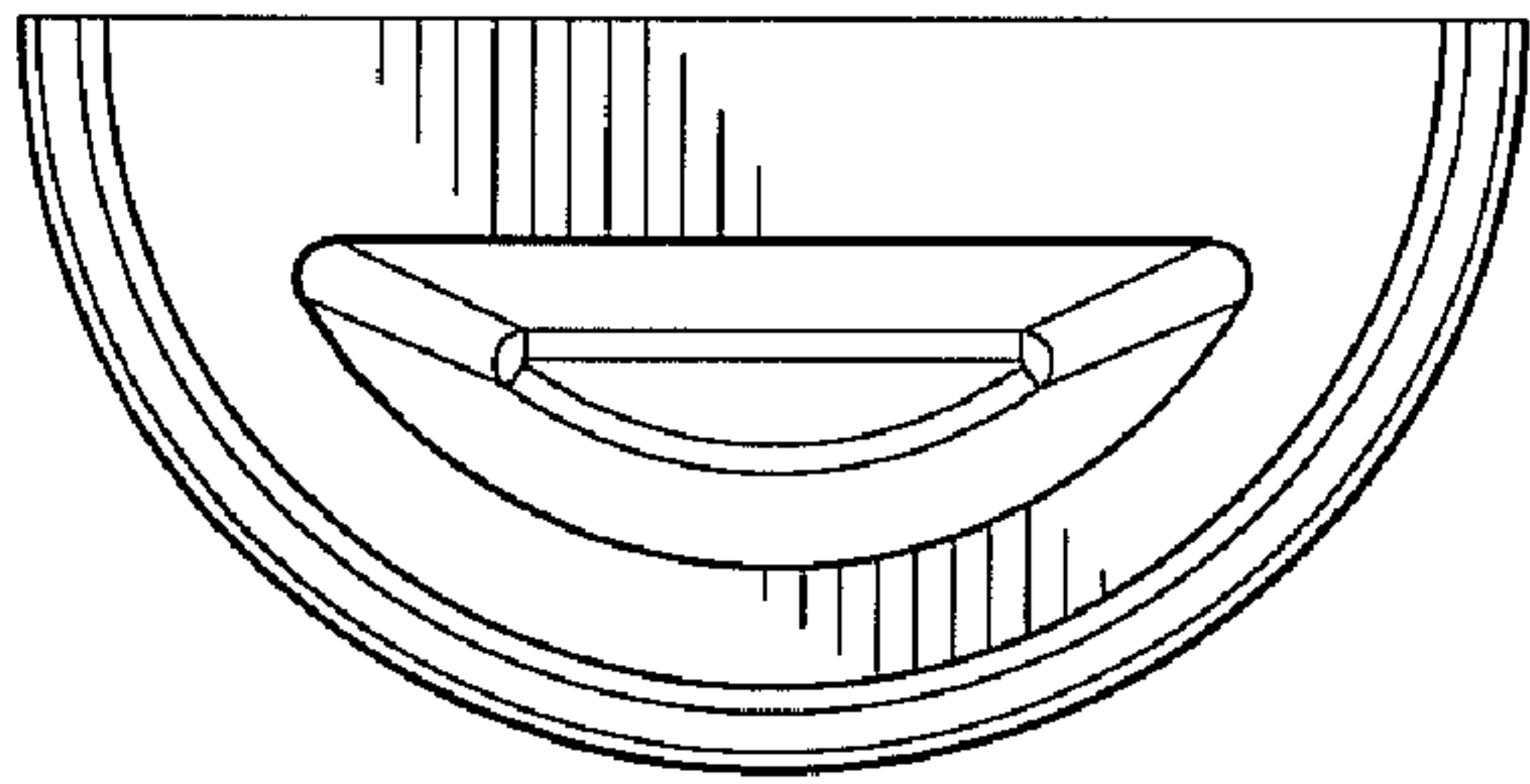


Fig. 11

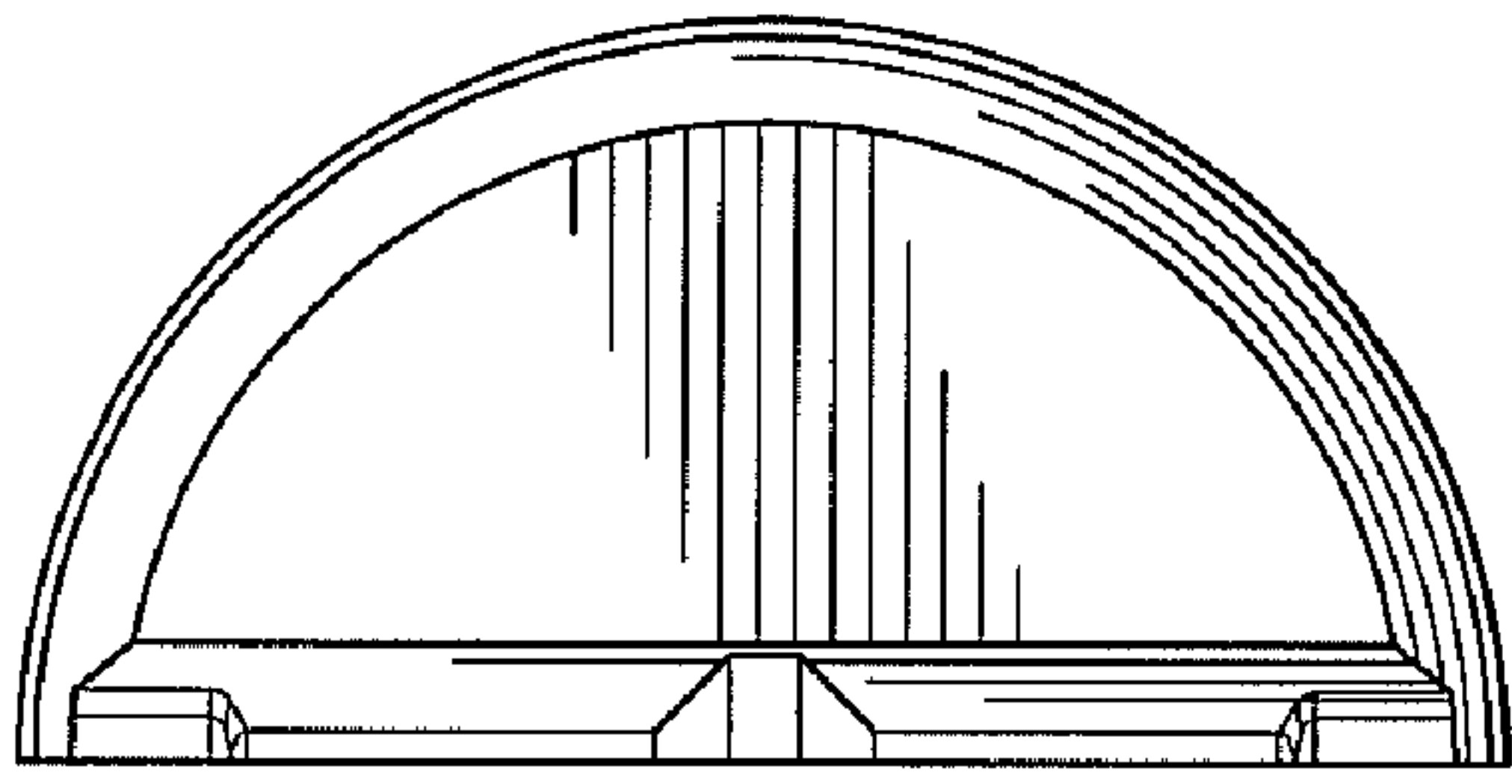


Fig. 12

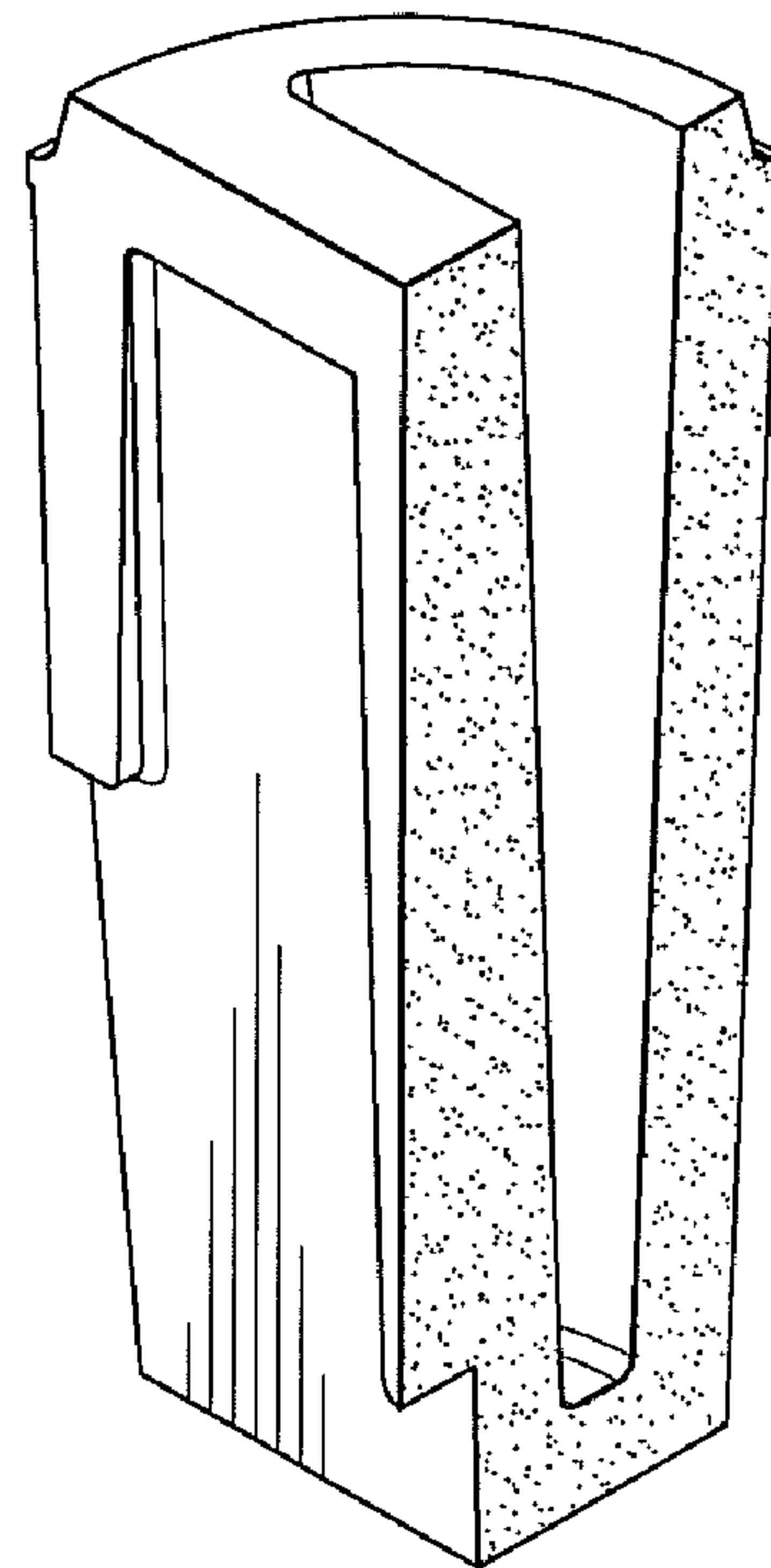


Fig. 13

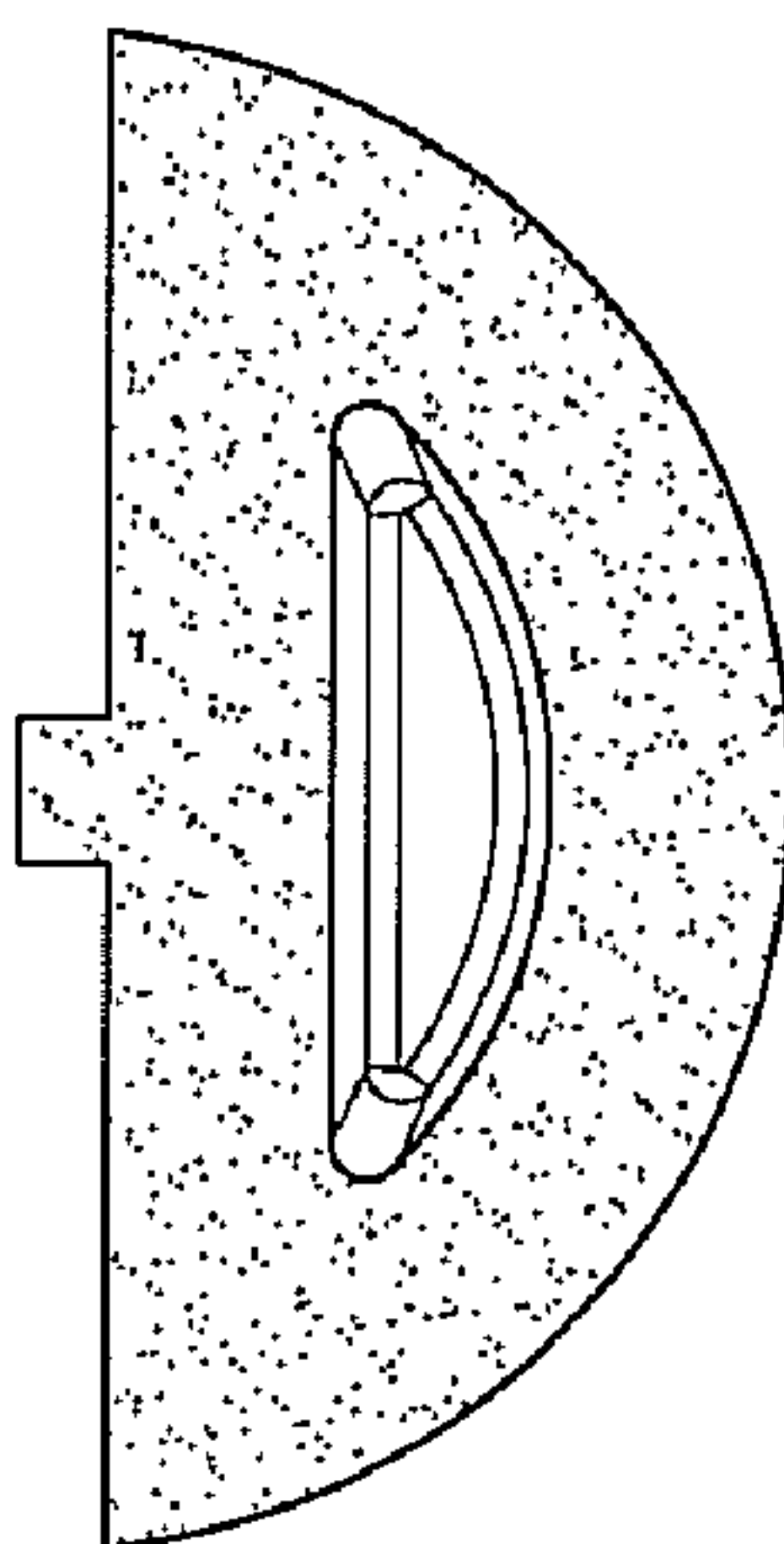


Fig. 14