



US00D615146S

(12) **United States Design Patent**
Zovar et al.

(10) **Patent No.:** **US D615,146 S**

(45) **Date of Patent:** **** *May 4, 2010**

(54) **GOPHER EXTERMINATOR DEVICE**

D552,705 S * 10/2007 Hess D22/119

(76) Inventors: **Alan Peter Zovar**, 319 Briar Bluff Cir.,
Thousand Oaks, CA (US) 91360; **Shelley**
Laner, 319 Briar Bluff Cir., Thousand
Oaks, CA (US) 91360

* cited by examiner

Primary Examiner—Catherine R Oliver
(74) *Attorney, Agent, or Firm*—Lewis Anten

(*) Notice: This patent is subject to a terminal dis-
claimer.

(57) **CLAIM**

The ornamental design for a gopher exterminator device, as
shown.

(**) Term: **14 Years**

DESCRIPTION

(21) Appl. No.: **29/312,976**

FIG. 1 is a side perspective view of the gopher exterminator
device showing our new design.

(22) Filed: **Nov. 26, 2008**

FIG. 2 is a right side elevational view of the gopher extermi-
nator device.

(51) **LOC (9) Cl.** **22-06**

(52) **U.S. Cl.** **D22/119**

FIG. 3 is a left side elevational view of the gopher extermi-
nator device.

(58) **Field of Classification Search** D22/119-124;
43/121, 124, 131, 132.1

See application file for complete search history.

FIG. 4 is a top plan view of the gopher exterminator device.

FIG. 5 is a bottom plan view of the gopher exterminator
device.

(56) **References Cited**

U.S. PATENT DOCUMENTS

1,296,771 A * 3/1919 Dady 43/124

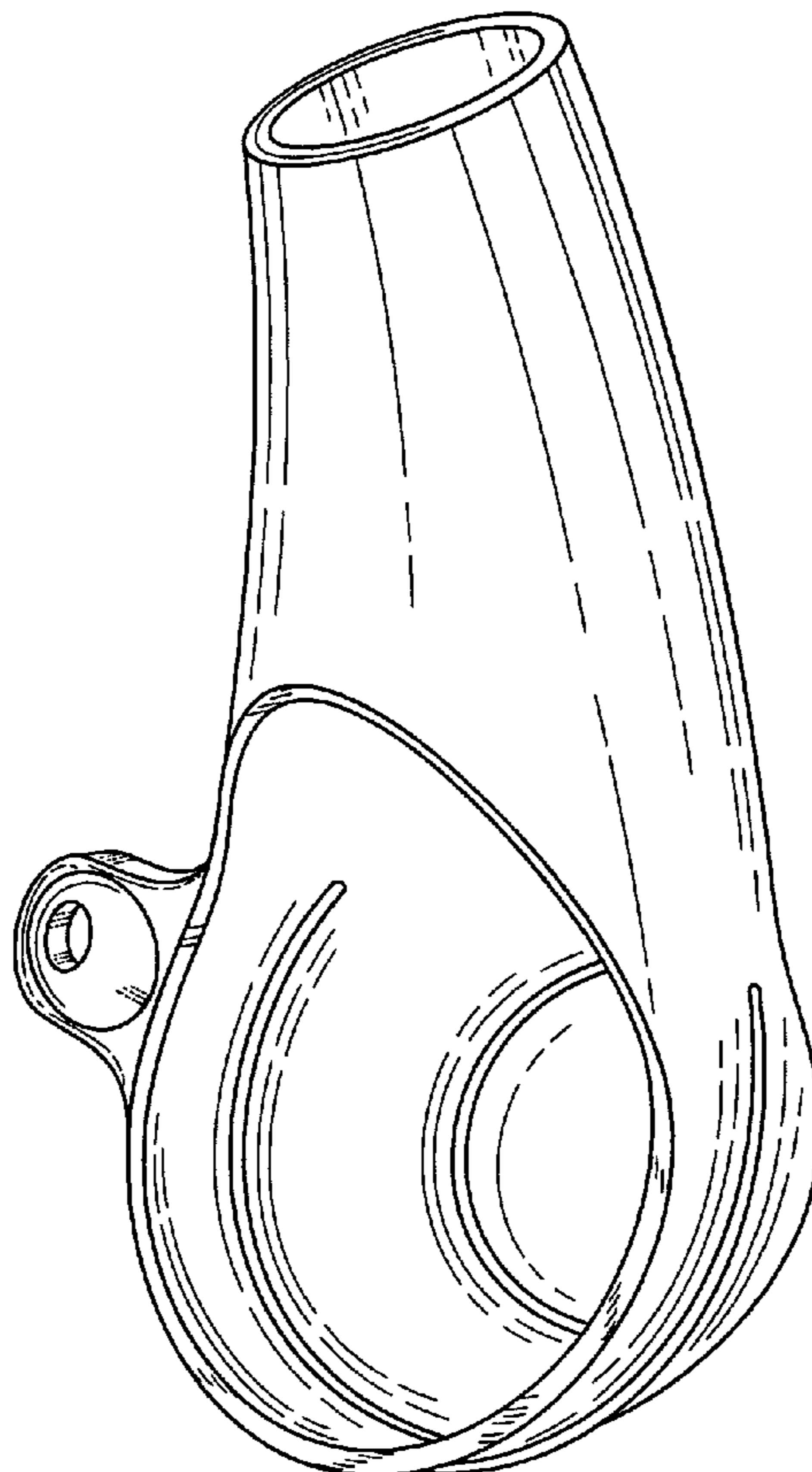
4,413,440 A * 11/1983 Schultz 43/124

4,841,668 A * 6/1989 McKenzie 43/124

FIG. 6 is a front elevational view of the gopher exterminator
device; and,

FIG. 7 is a rear elevational view of the gopher exterminator
device.

1 Claim, 7 Drawing Sheets



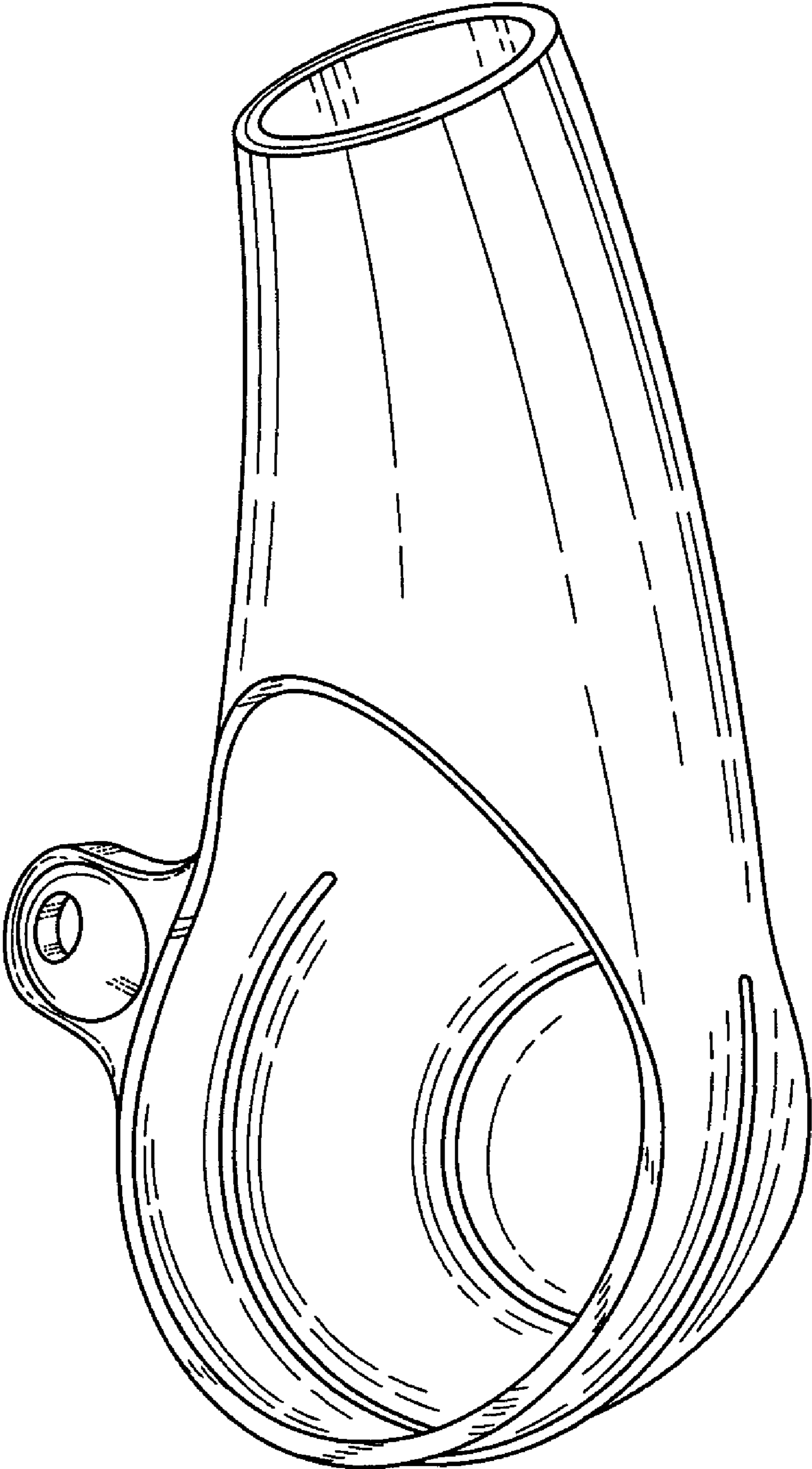


FIG. 1

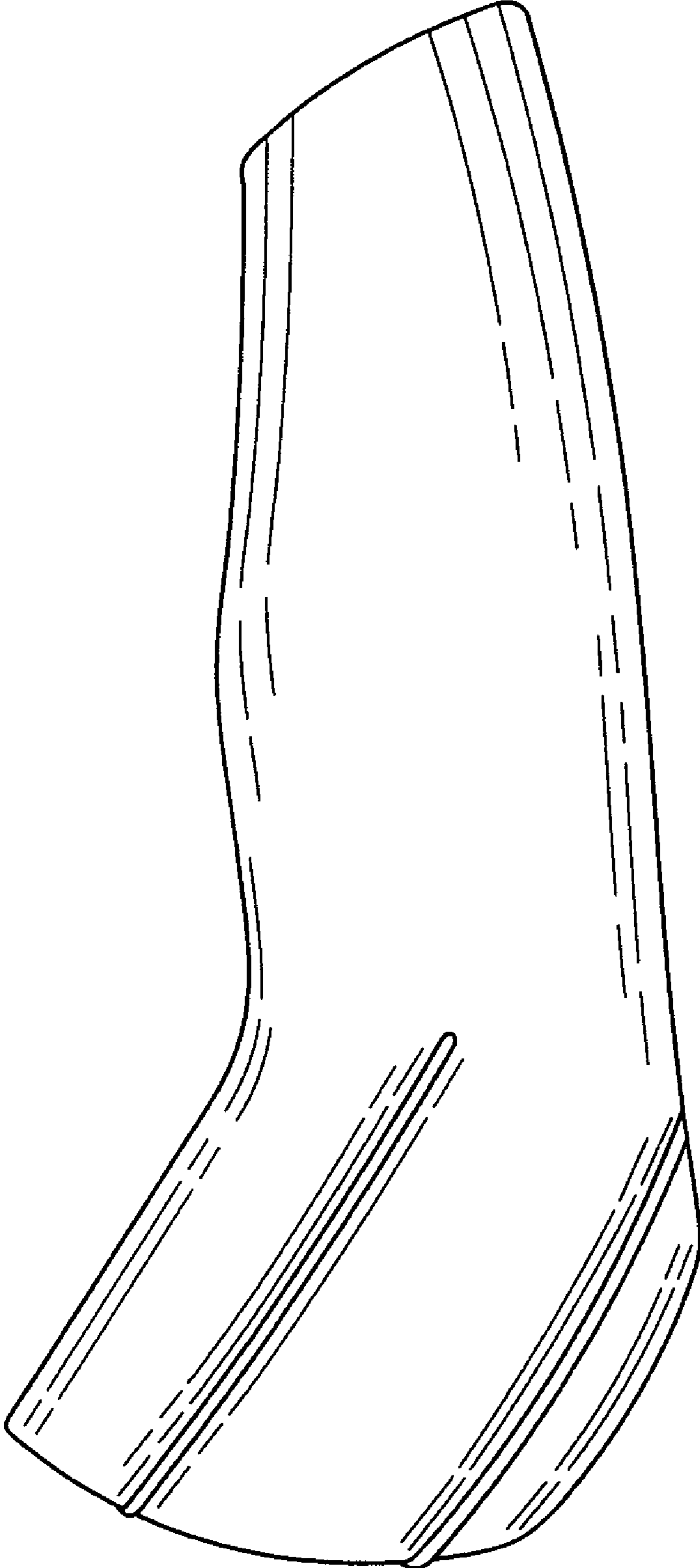


FIG. 2

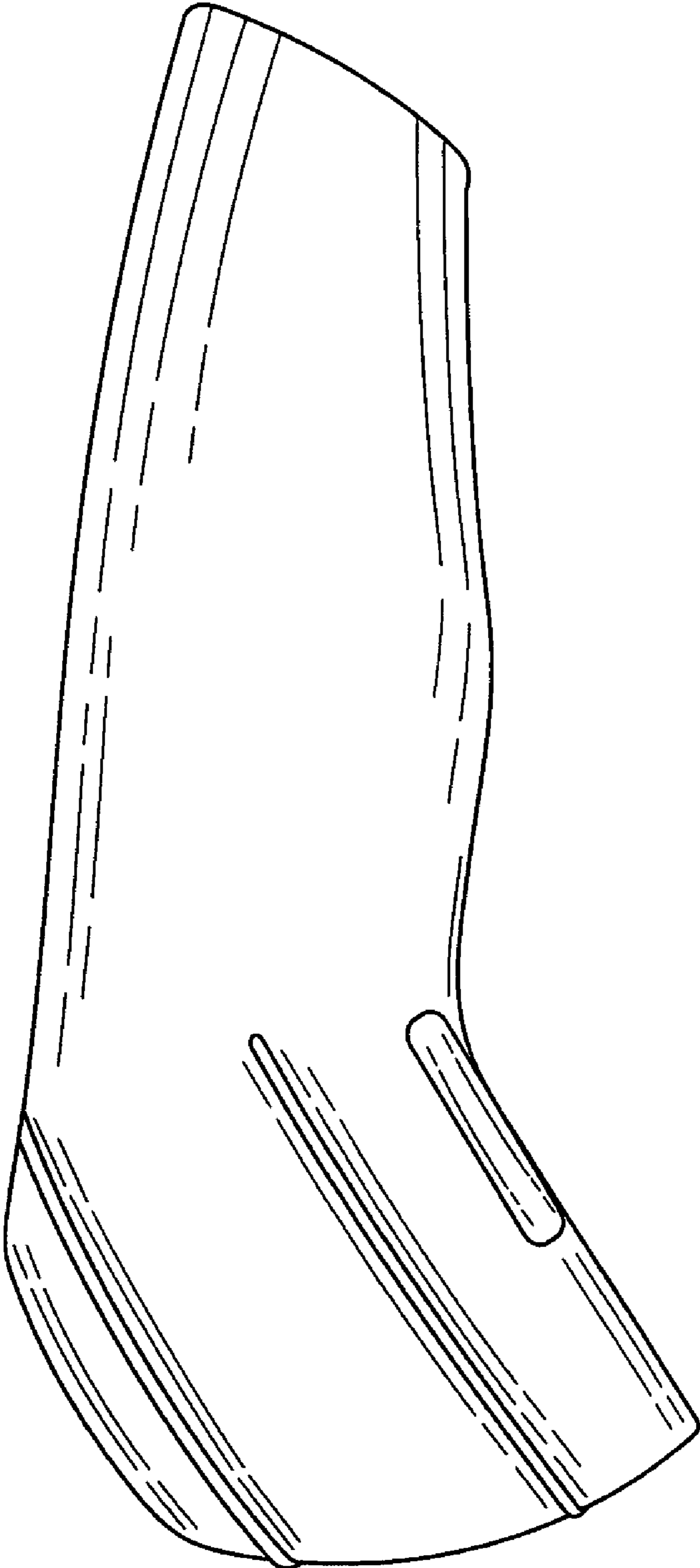


FIG. 3

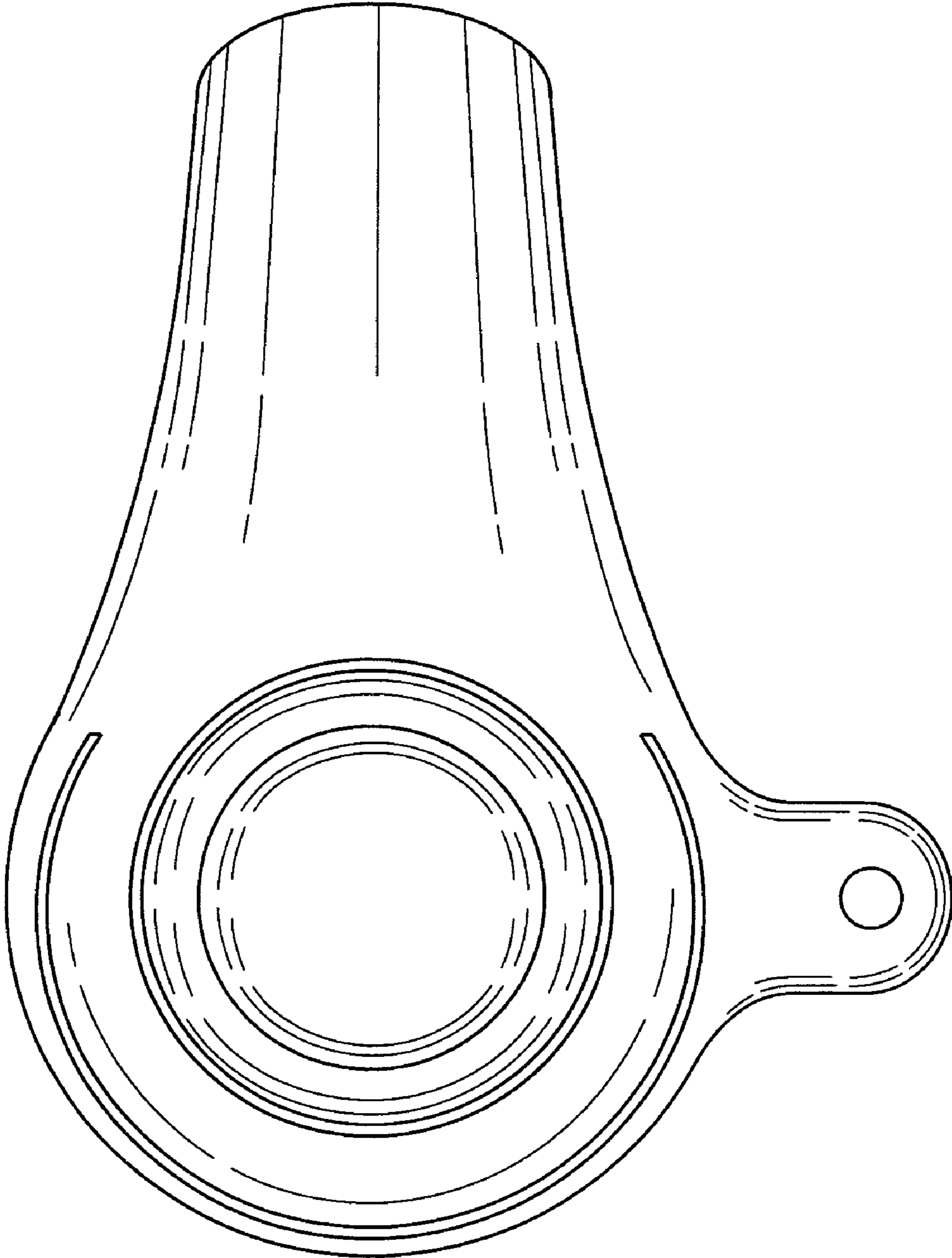


FIG. 4

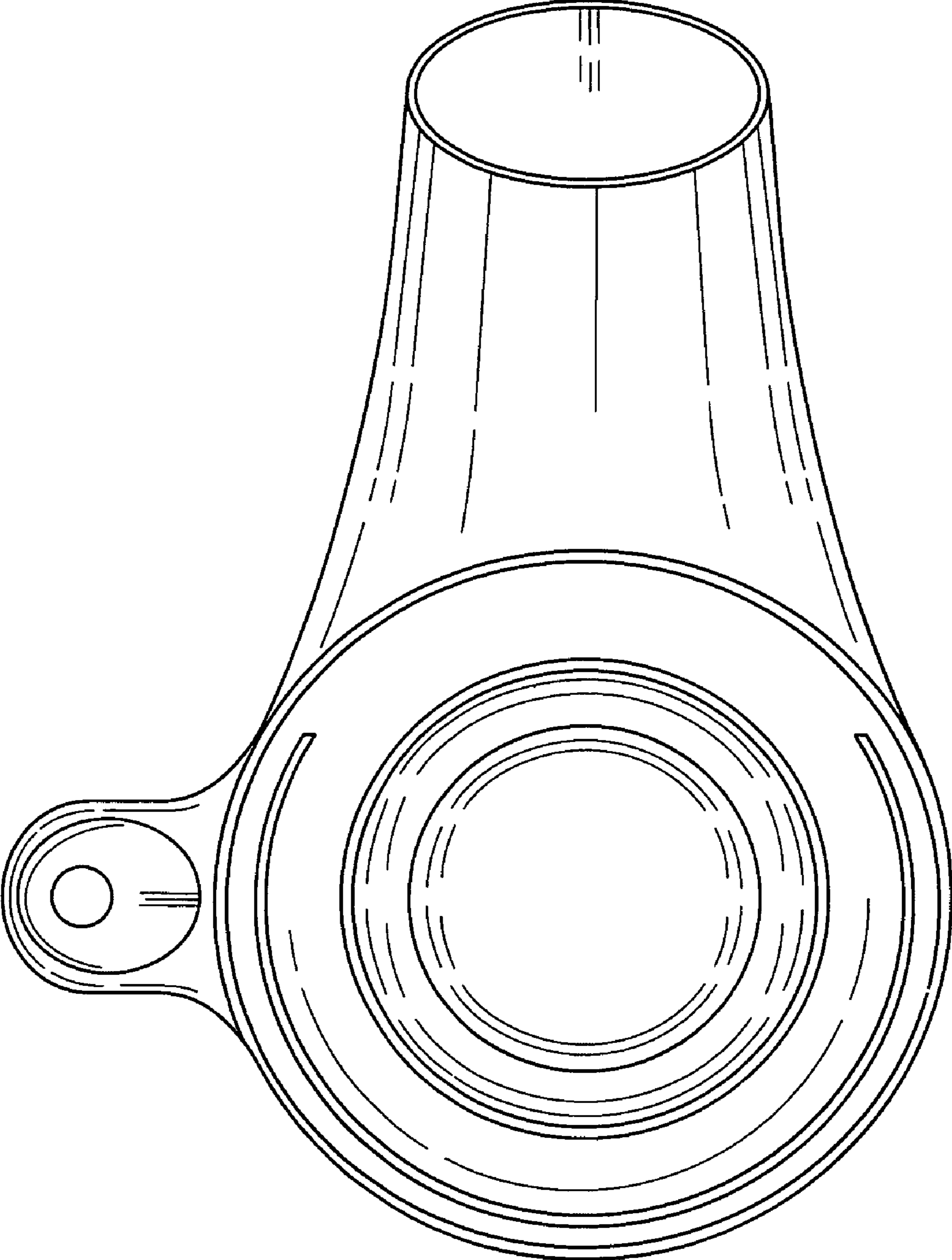


FIG. 5

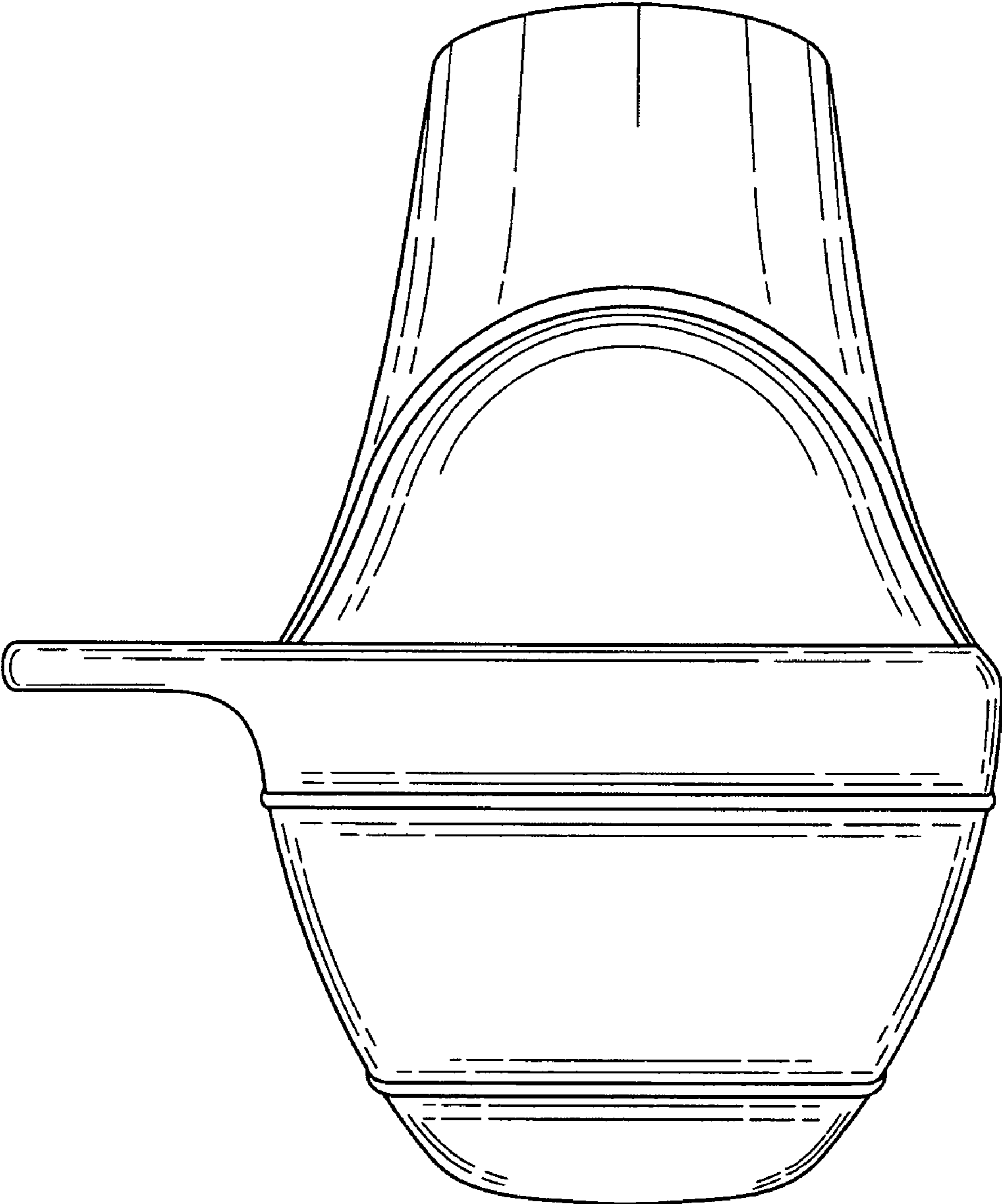


FIG. 6

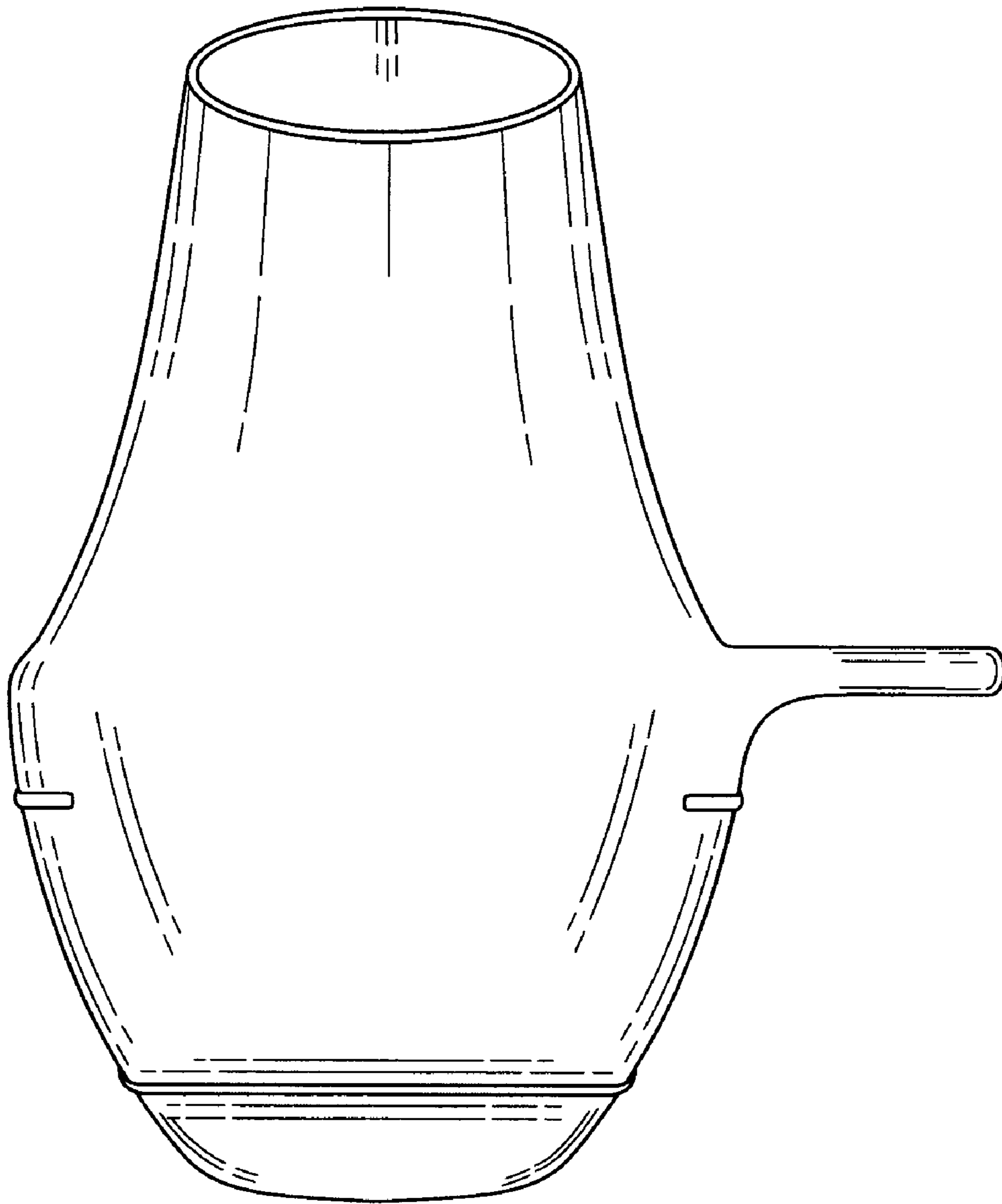


FIG. 7