



US00D615144S

(12) **United States Design Patent**
Mayberry et al.

(10) **Patent No.:** **US D615,144 S**
(45) **Date of Patent:** **** May 4, 2010**

(54) **FRONT SIGHT FOR A FIREARM**

(75) Inventors: **Michael T. Mayberry**, Denver, CO (US); **Richard M. Fitzpatrick**, Longmont, CO (US); **Eric C. Burt**, Broomfield, CO (US)

(73) Assignee: **Magpul Industries Corp.**, Boulder, CO (US)

(**) Term: **14 Years**

(21) Appl. No.: **29/339,674**

(22) Filed: **Jul. 6, 2009**

(51) **LOC (9) Cl.** **22-01**

(52) **U.S. Cl.** **D22/109**

(58) **Field of Classification Search** D22/108-110, D22/199; D16/132, 130, 133, 330, 134; 359/399, 823, 744; 42/111, 133, 119, 122
See application file for complete search history.

(56) **References Cited**

U.S. PATENT DOCUMENTS

1,257,713	A *	2/1918	Johnson	42/137
6,779,290	B1 *	8/2004	Houtsma	42/148
7,356,962	B2 *	4/2008	Swan	42/147
D594,083	S *	6/2009	Mayberry et al.	D22/109
D594,084	S *	6/2009	Mayberry et al.	D22/109

* cited by examiner

Primary Examiner—T. Chase Nelson

Assistant Examiner—Michael A Pratt

(74) *Attorney, Agent, or Firm*—Geoffrey E. Dobbin

(57) **CLAIM**

The ornamental design for a front sight for a firearm, as shown and described.

DESCRIPTION

FIG. 1 is a top/left/front perspective view of the front sight for a firearm in a stowed position.

FIG. 2 is a top/left/rear perspective view of the front sight for a firearm of FIG. 1.

FIG. 3 is a top/right/rear perspective view of the front sight for a firearm of FIG. 1.

FIG. 4 is a top/right/front perspective view of the front sight for a firearm of FIG. 1.

FIG. 5 is a front plan view of the front sight for a firearm of FIG. 1.

FIG. 6 is a rear plan view of the front sight for a firearm of FIG. 1.

FIG. 7 is a left elevation view of the front sight for a firearm of FIG. 1.

FIG. 8 is a right elevation view of the front sight for a firearm of FIG. 1.

FIG. 9 is a top plan view of the front sight for a firearm of FIG. 1.

FIG. 10 is a bottom plan view of the front sight for a firearm of FIG. 1.

FIG. 11 is a bottom/left/front perspective view of the front sight for a firearm of FIG. 1.

FIG. 12 is a bottom/left/rear perspective view of the front sight for a firearm of FIG. 1.

FIG. 13 is a bottom/right/rear perspective view of the front sight for a firearm of FIG. 1.

FIG. 14 is a bottom/right/front perspective view of the front sight for a firearm of FIG. 1.

FIG. 15 is a top/left/front perspective view of the front sight for a firearm in a deployed position.

FIG. 16 is a top/left/rear perspective view of the front sight for a firearm of FIG. 15.

FIG. 17 is a top/right/front perspective view of the front sight for a firearm of FIG. 15.

FIG. 18 is a top/right/front perspective view of the front sight for a firearm of FIG. 15.

FIG. 19 is a front plan view of the front sight for a firearm of FIG. 15.

FIG. 20 is a rear plan view of the front sight for a firearm of FIG. 15.

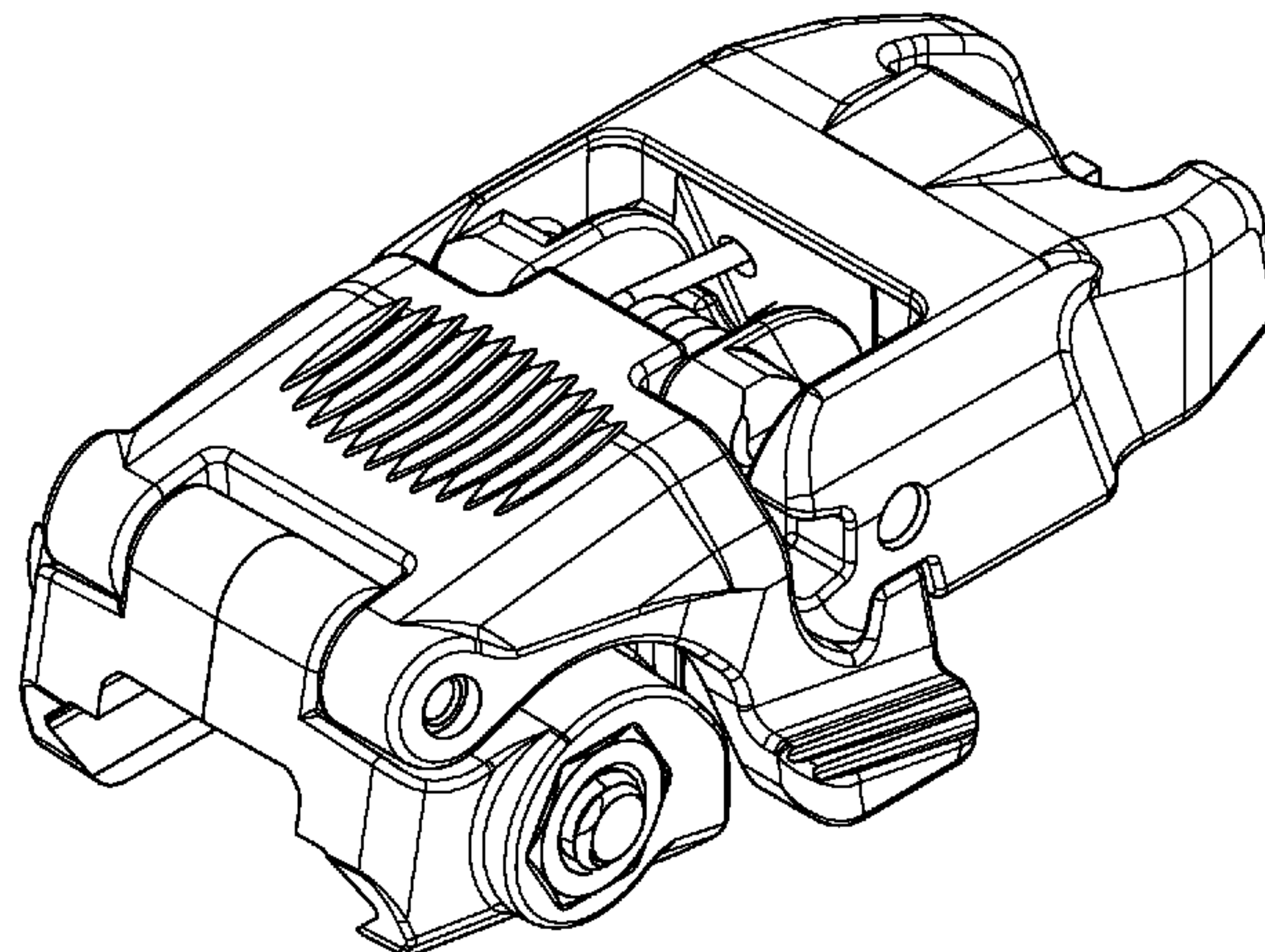


FIG. **21** is a right elevation view of the front sight for a firearm of FIG. **15**.

FIG. **22** is a left elevation view of the front sight for a firearm of FIG. **15**.

FIG. **23** is a top plan view of the front sight for a firearm of FIG. **15**.

FIG. **24** is a bottom plan view of the front sight for a firearm of FIG. **15**.

FIG. **25** is a bottom/left/front perspective view of the front sight for a firearm of FIG. **15**.

FIG. **26** is a bottom/left/rear perspective view of the front sight for a firearm of FIG. **15**.

FIG. **27** is a bottom/right/rear perspective view of the front sight for a firearm of FIG. **15**; and,

FIG. **28** is a bottom/right/front perspective view of the front sight for a firearm of FIG. **15**.

The broken lines in FIGS. **10–14**, **16**, **17**, **20**, **26** and **27** depict functional weight cutouts and are illustrative of environment and not intended to form a part of the claimed design

1 Claim, 14 Drawing Sheets

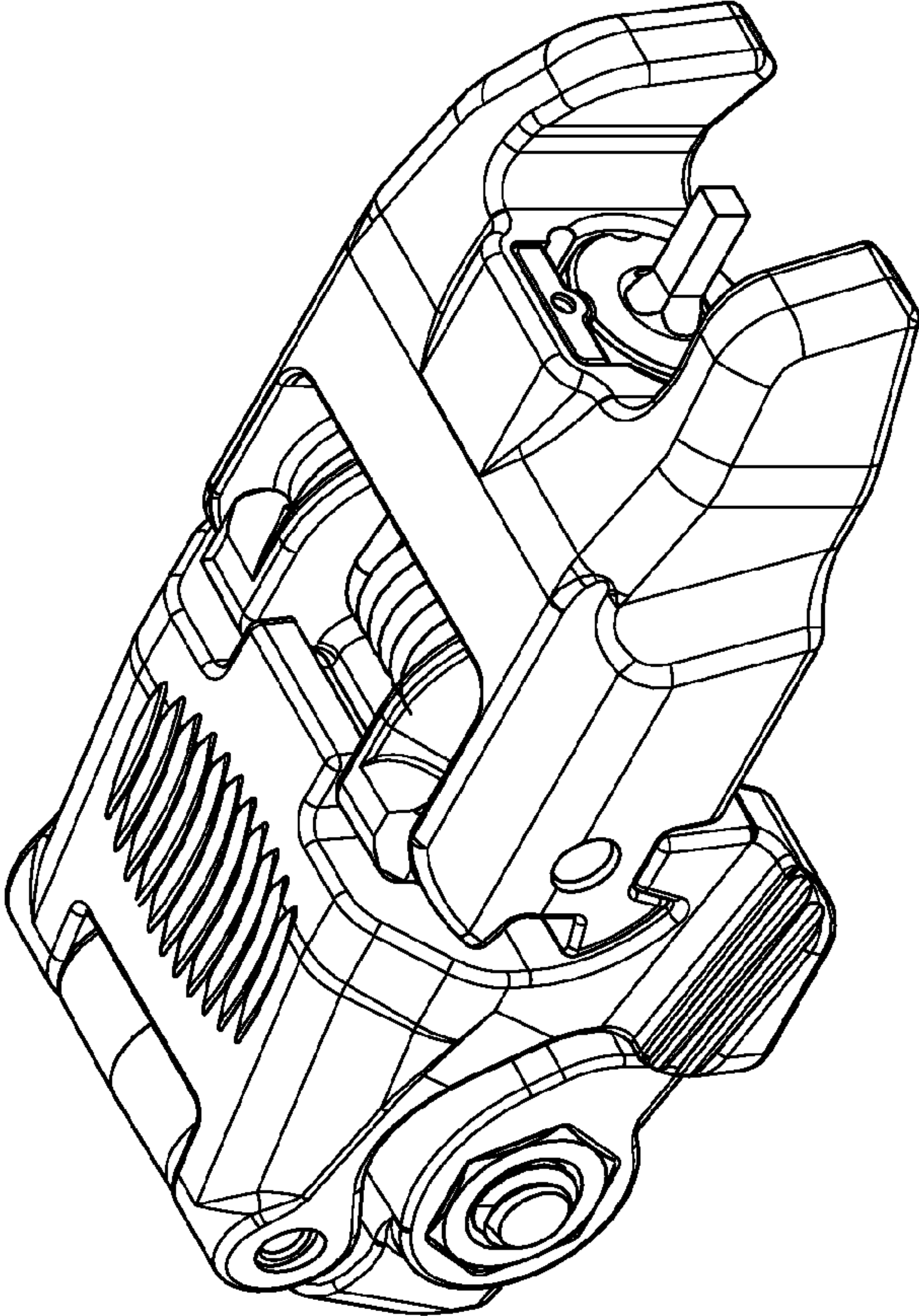


FIG. 1

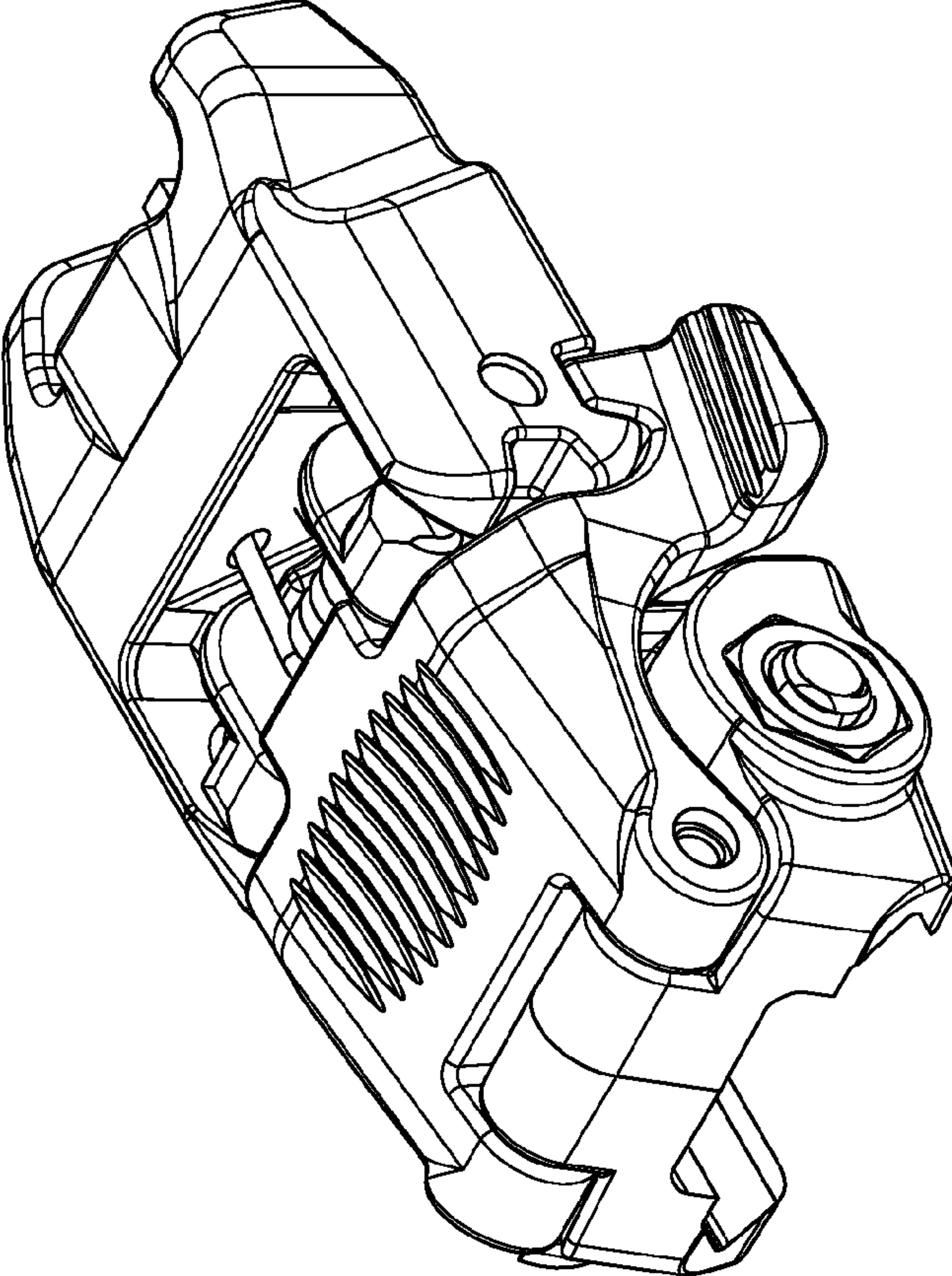


FIG. 2

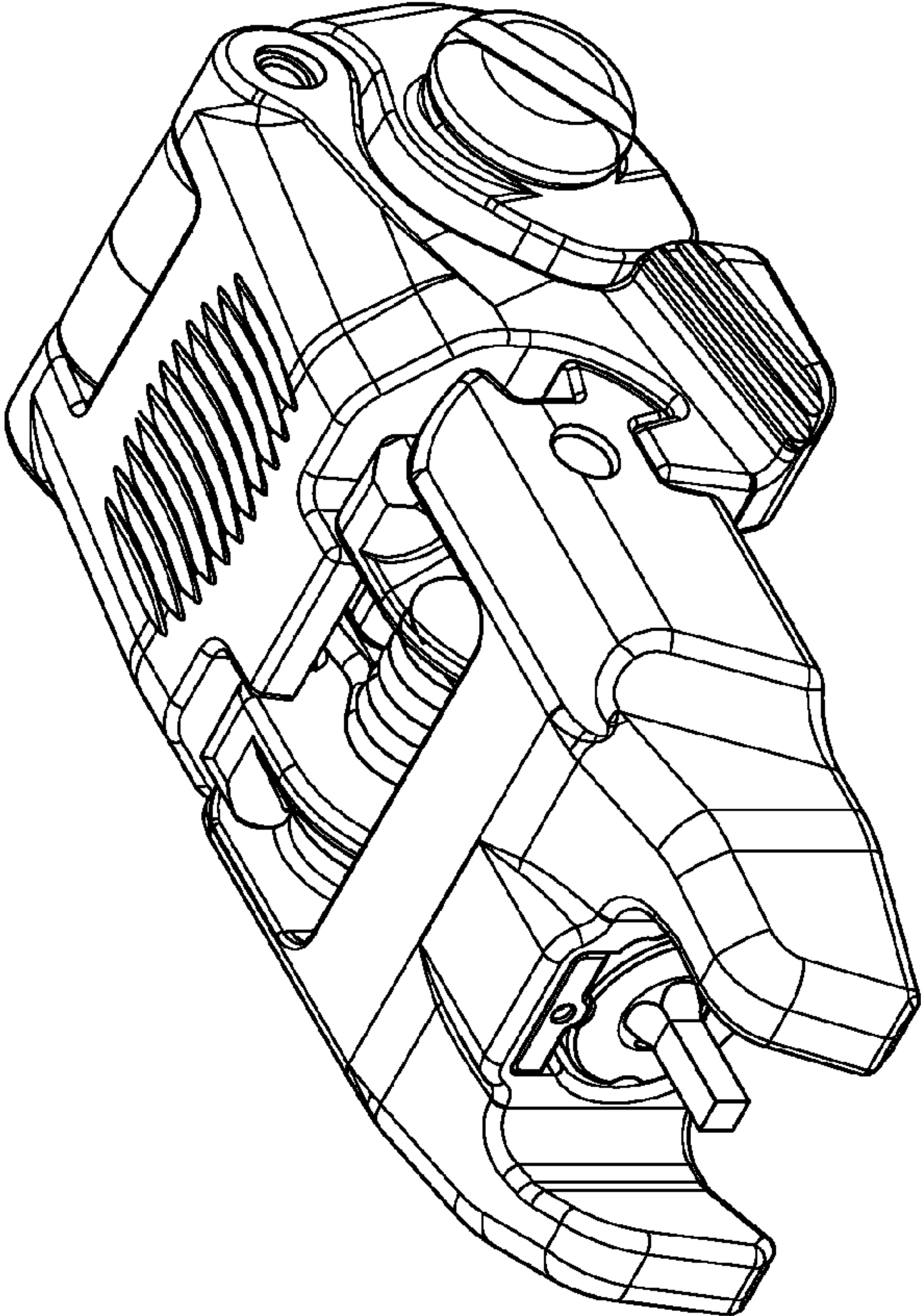
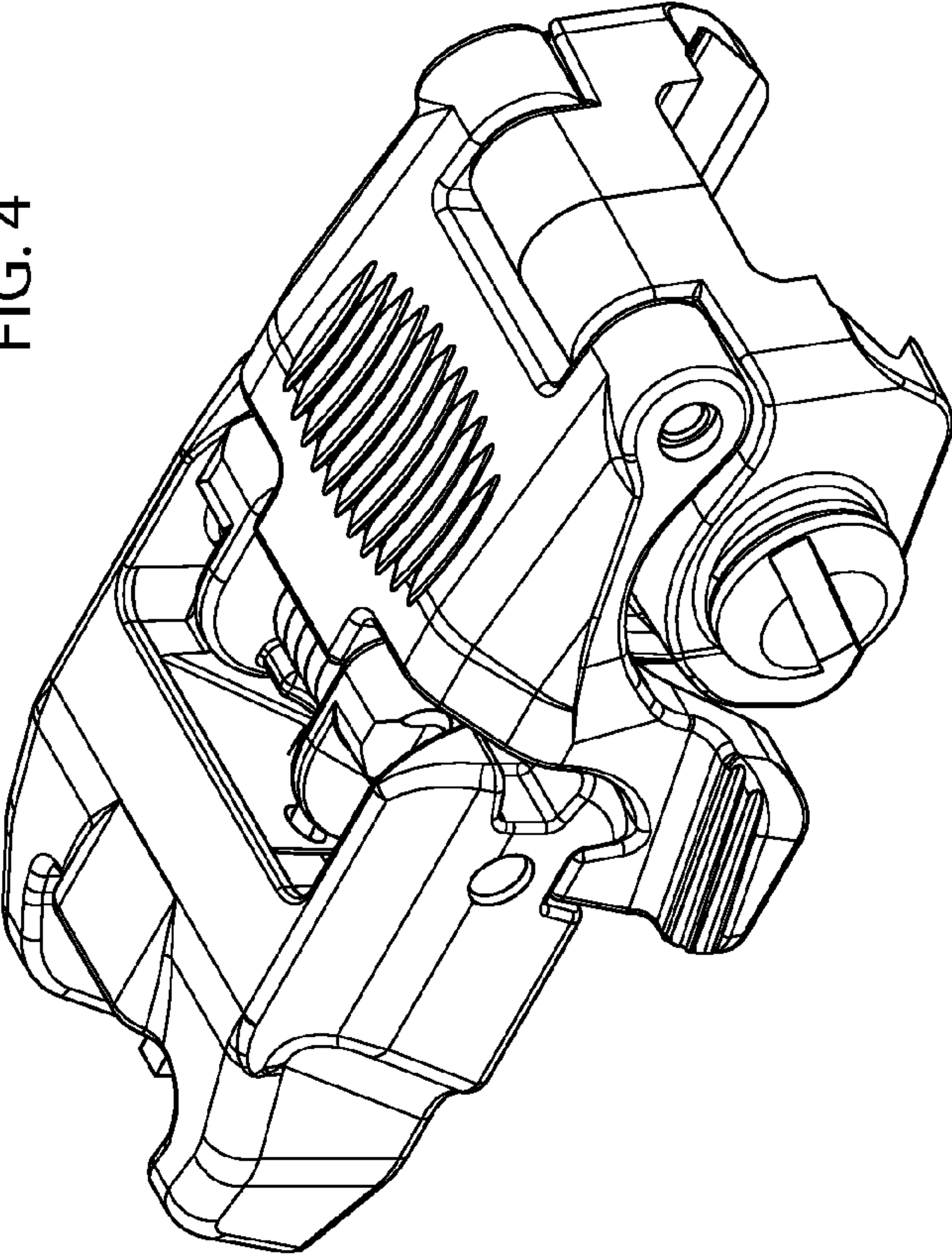


FIG. 3

FIG. 4



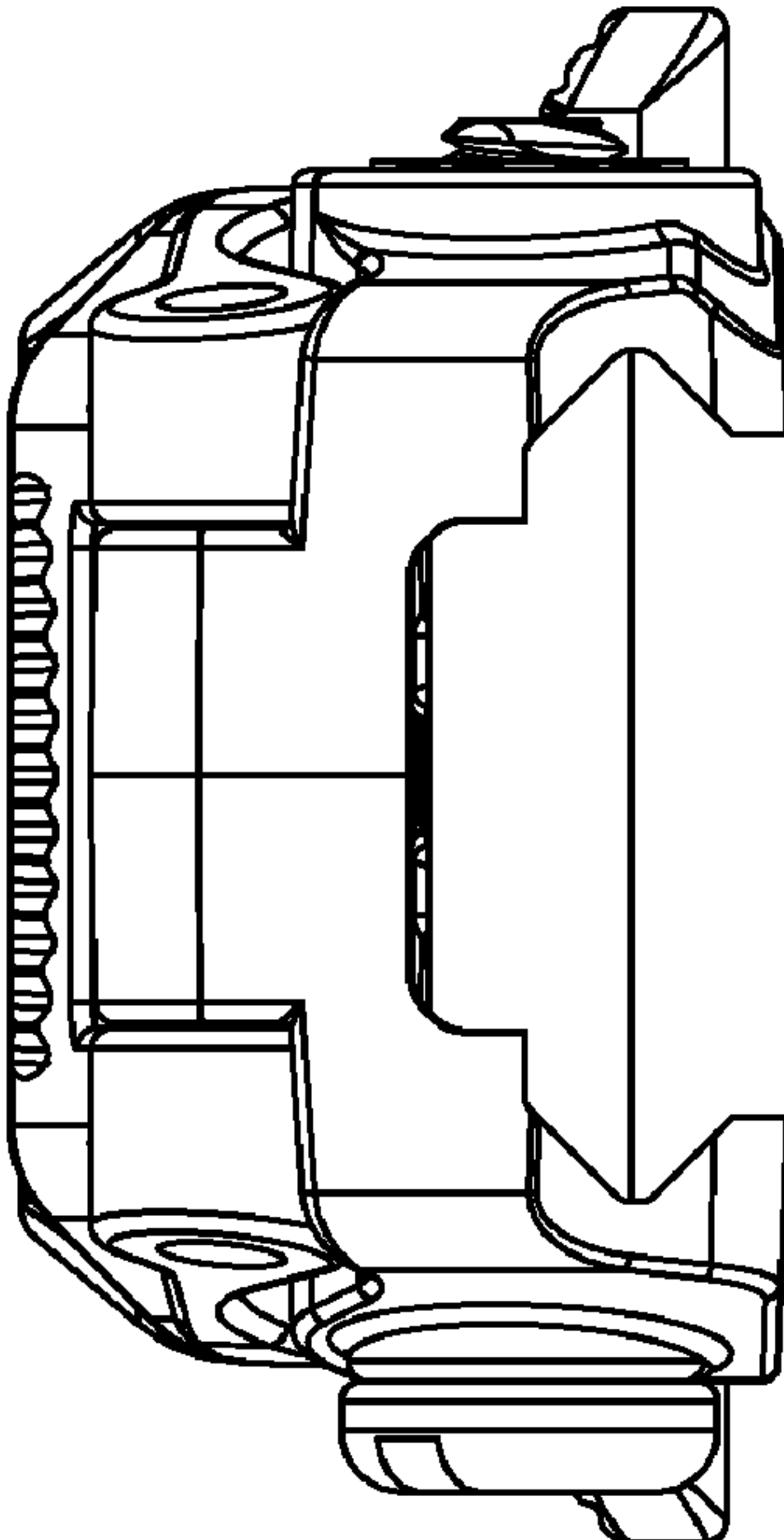
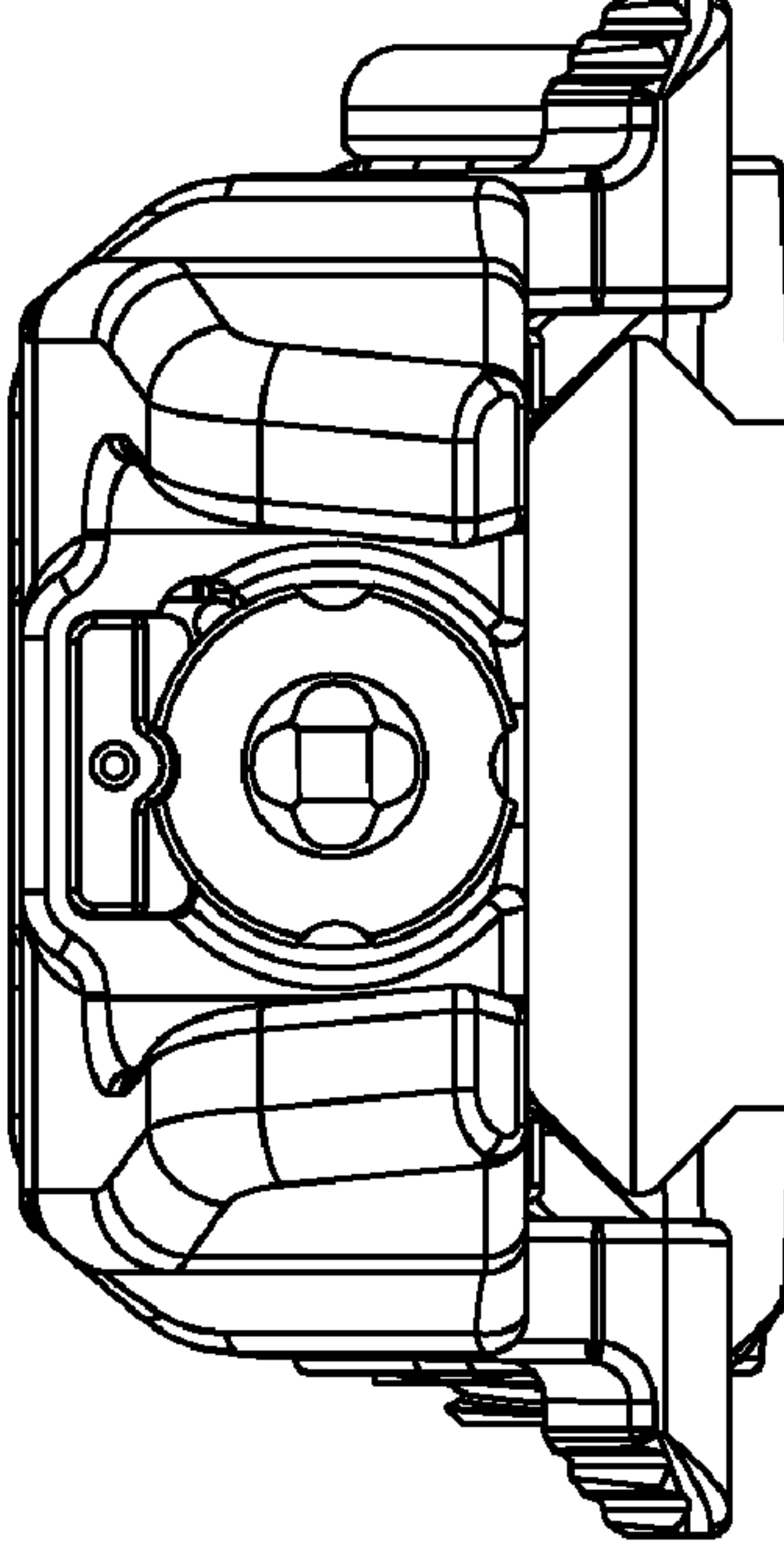


FIG. 5

FIG. 6



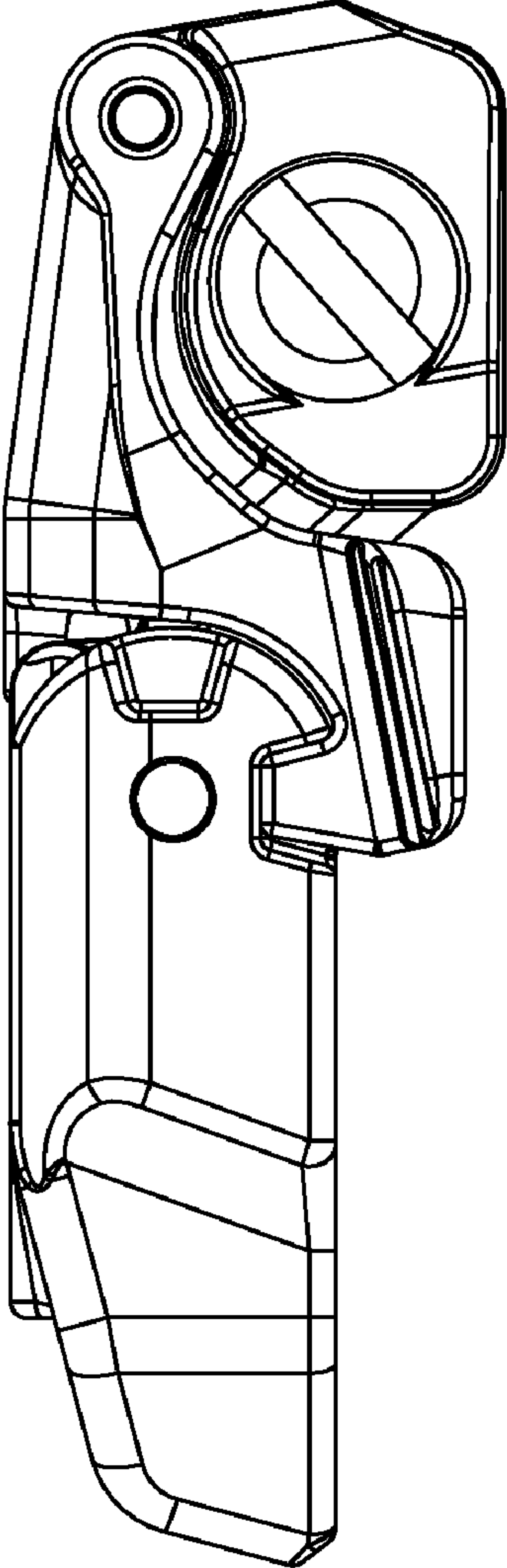


FIG. 8

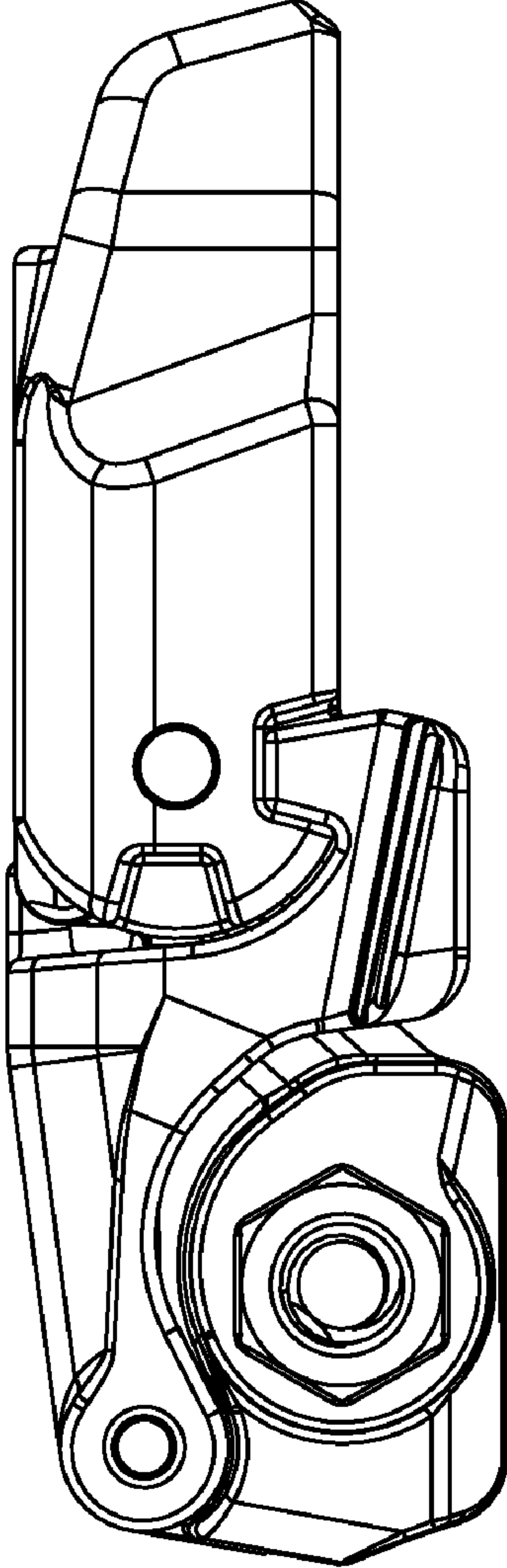


FIG. 7

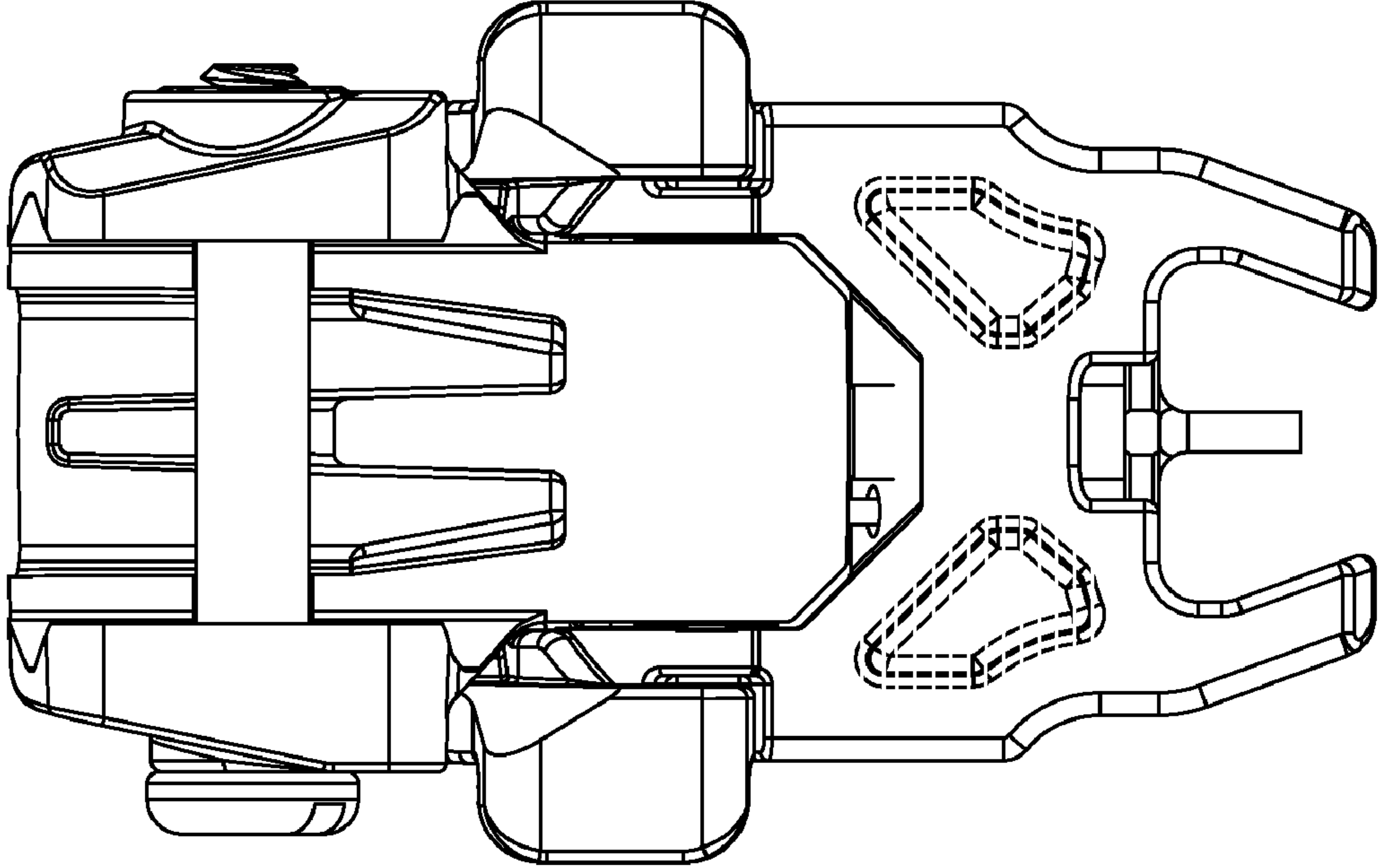


FIG. 10

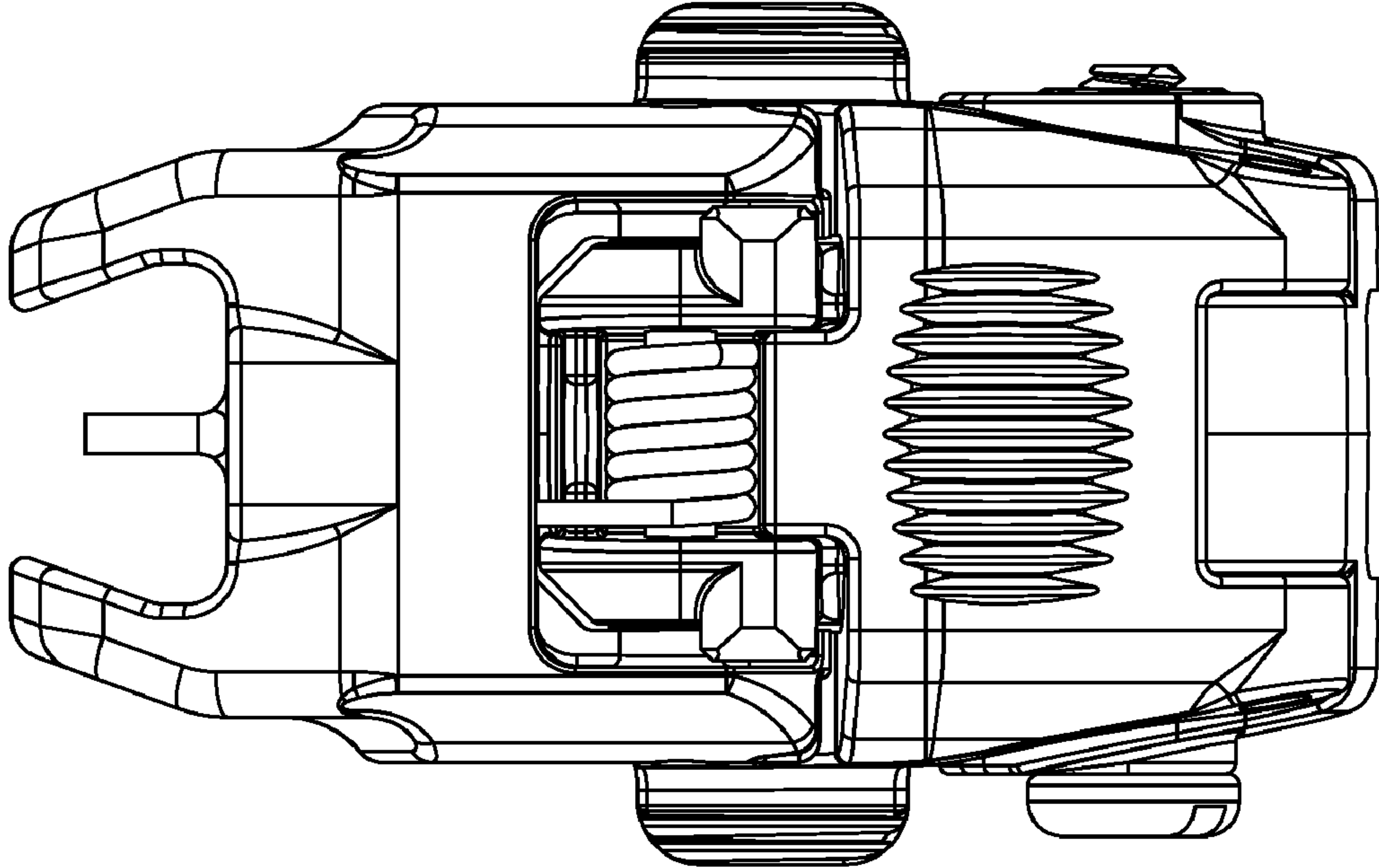


FIG. 9

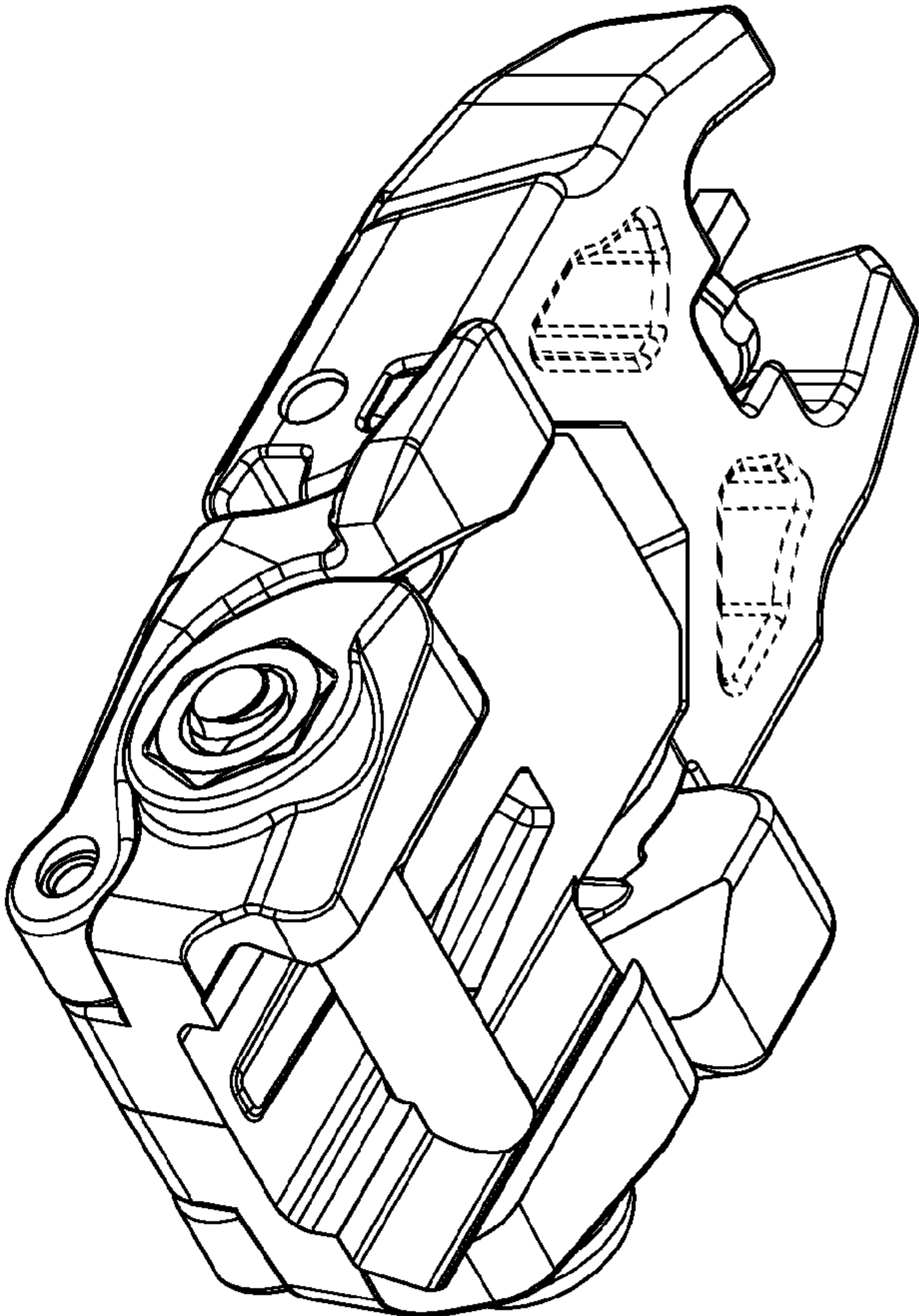


FIG. 11

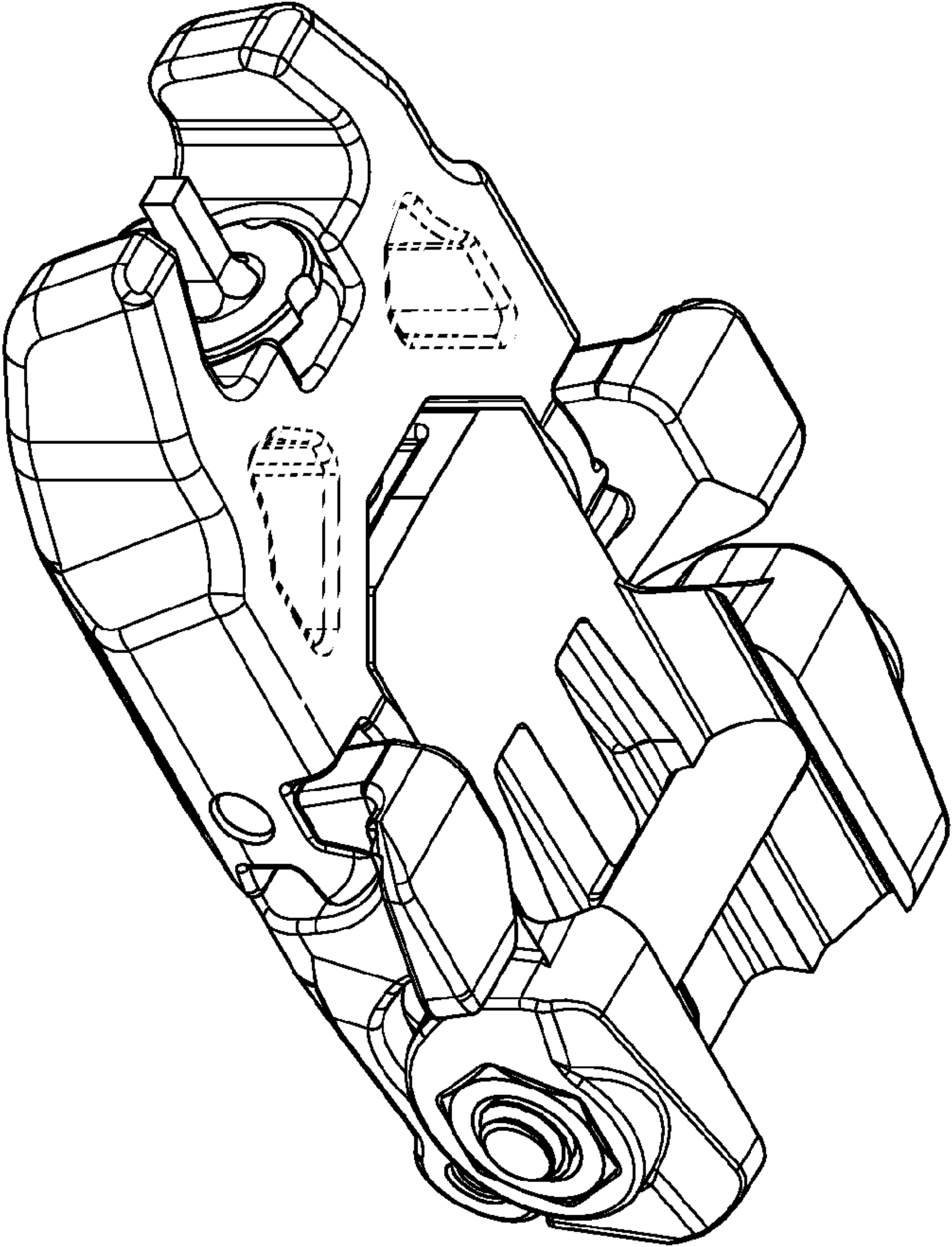


FIG. 12

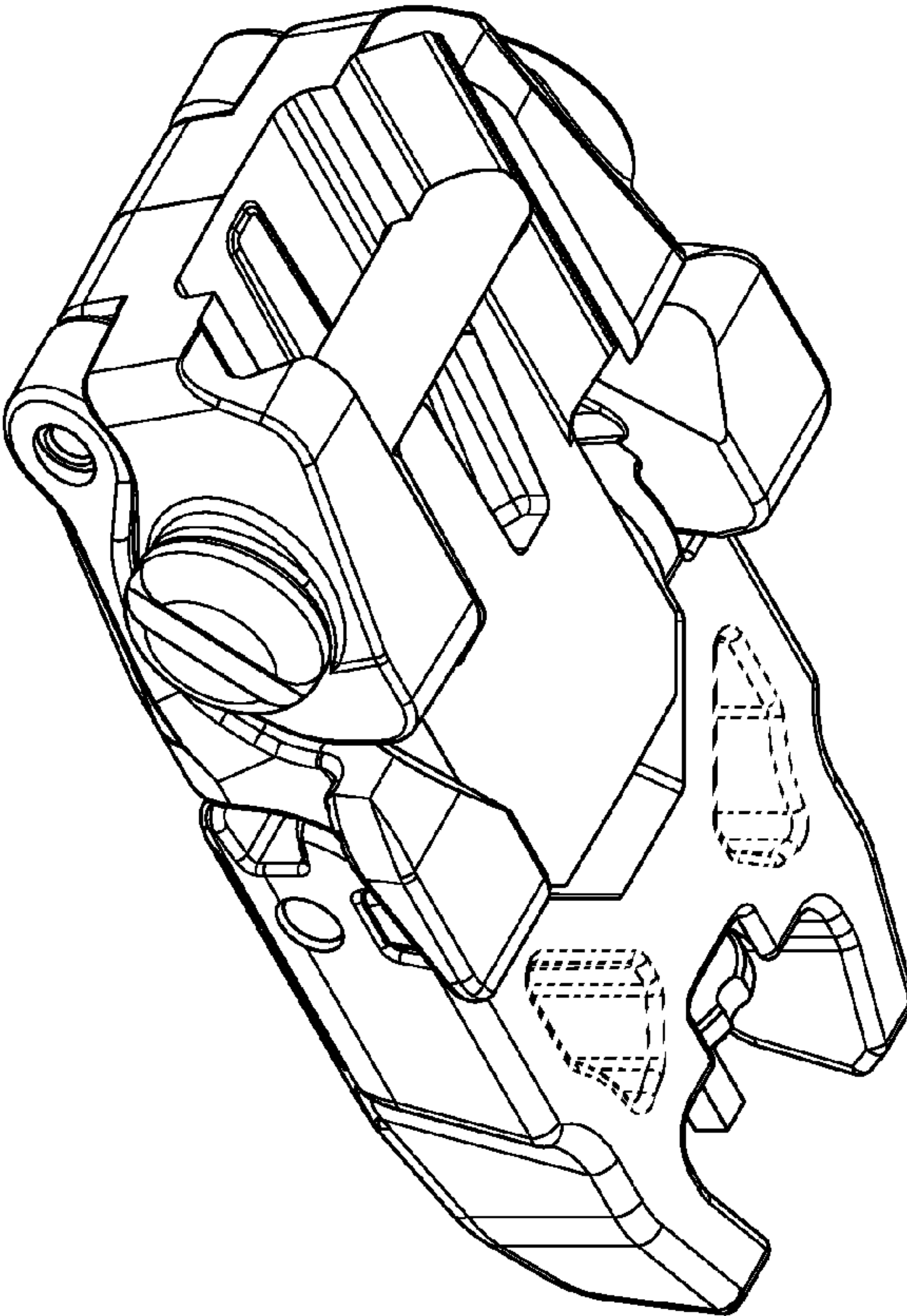
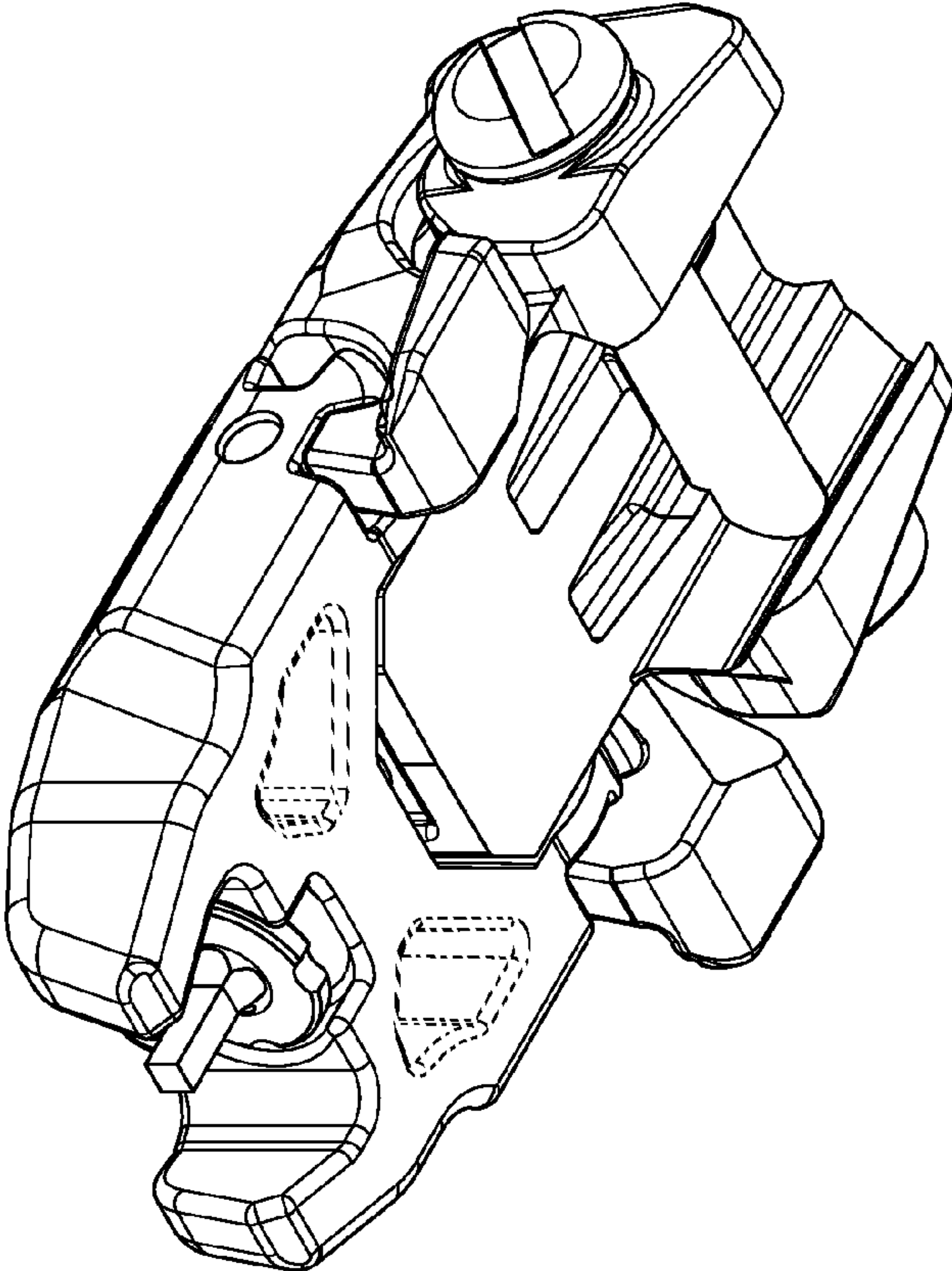


FIG. 13

FIG. 14



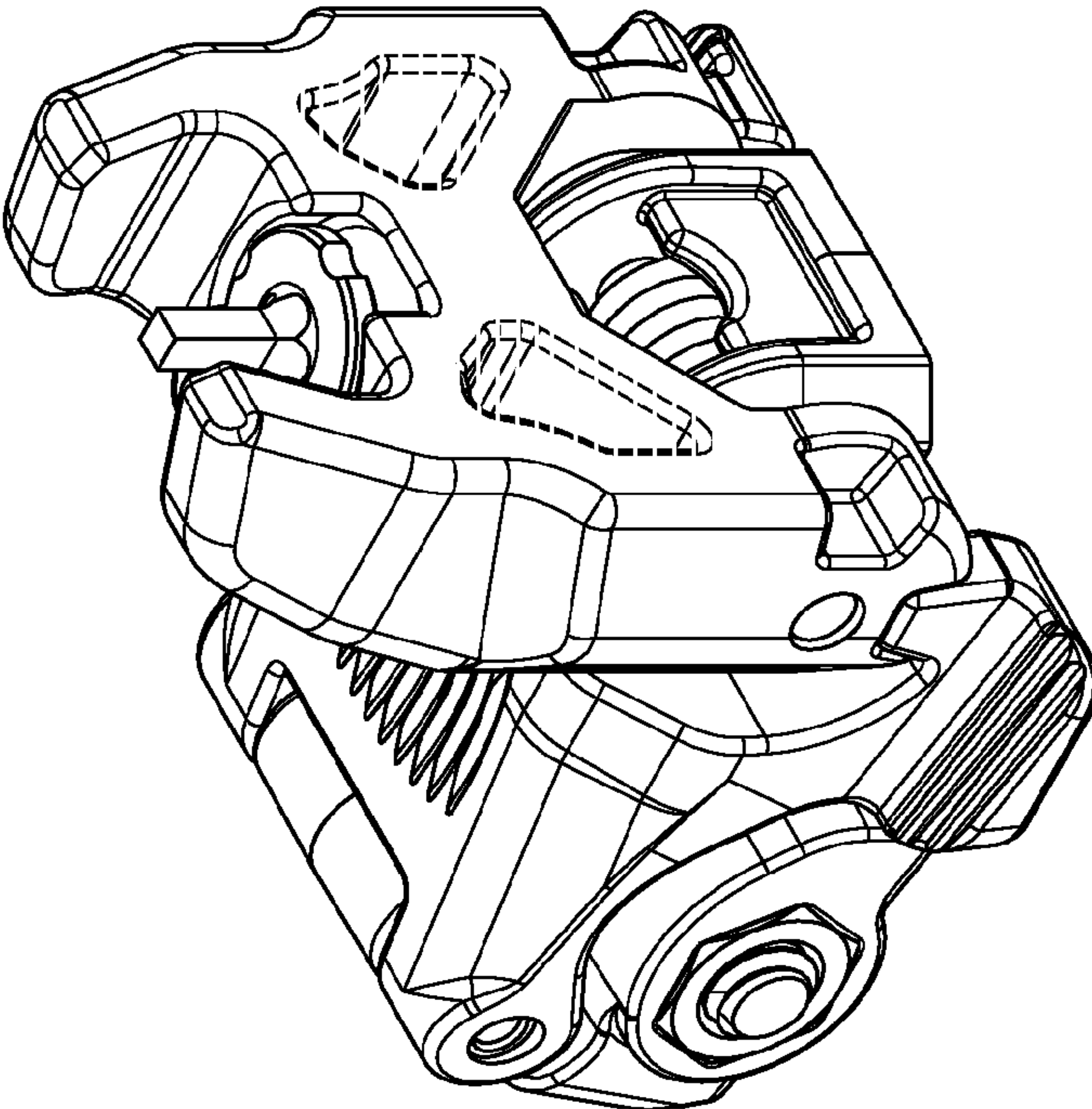


FIG. 16

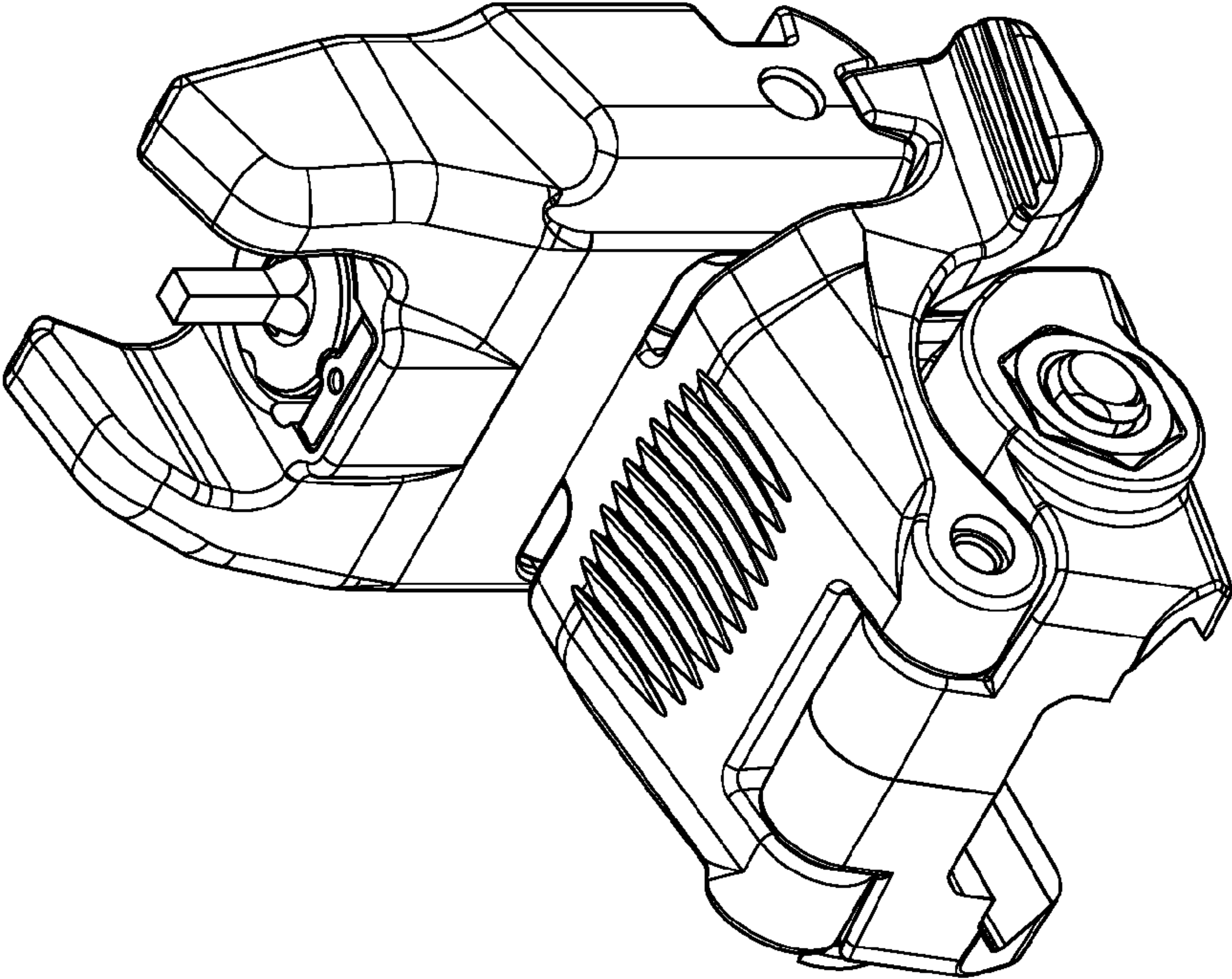


FIG. 15

FIG. 18

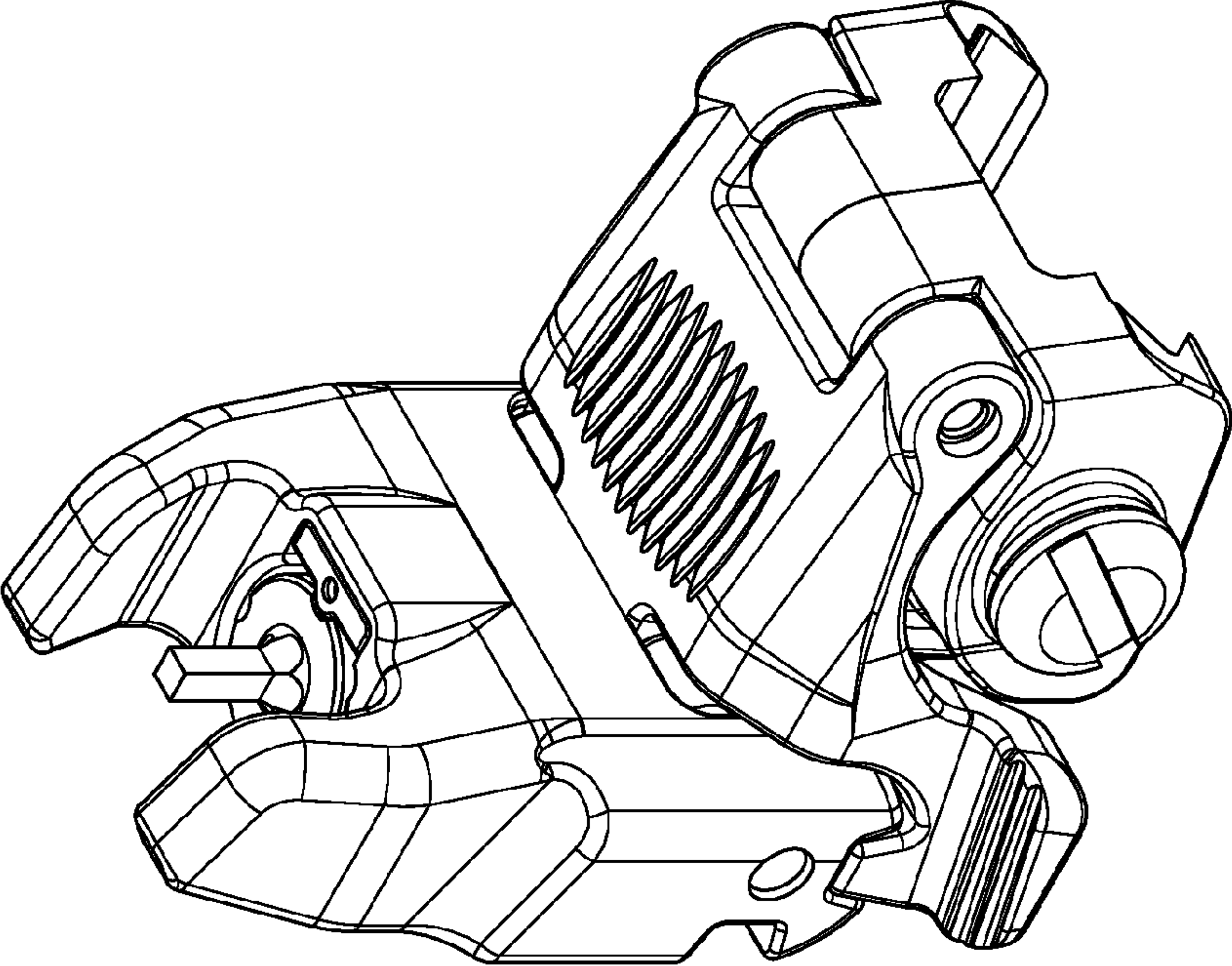
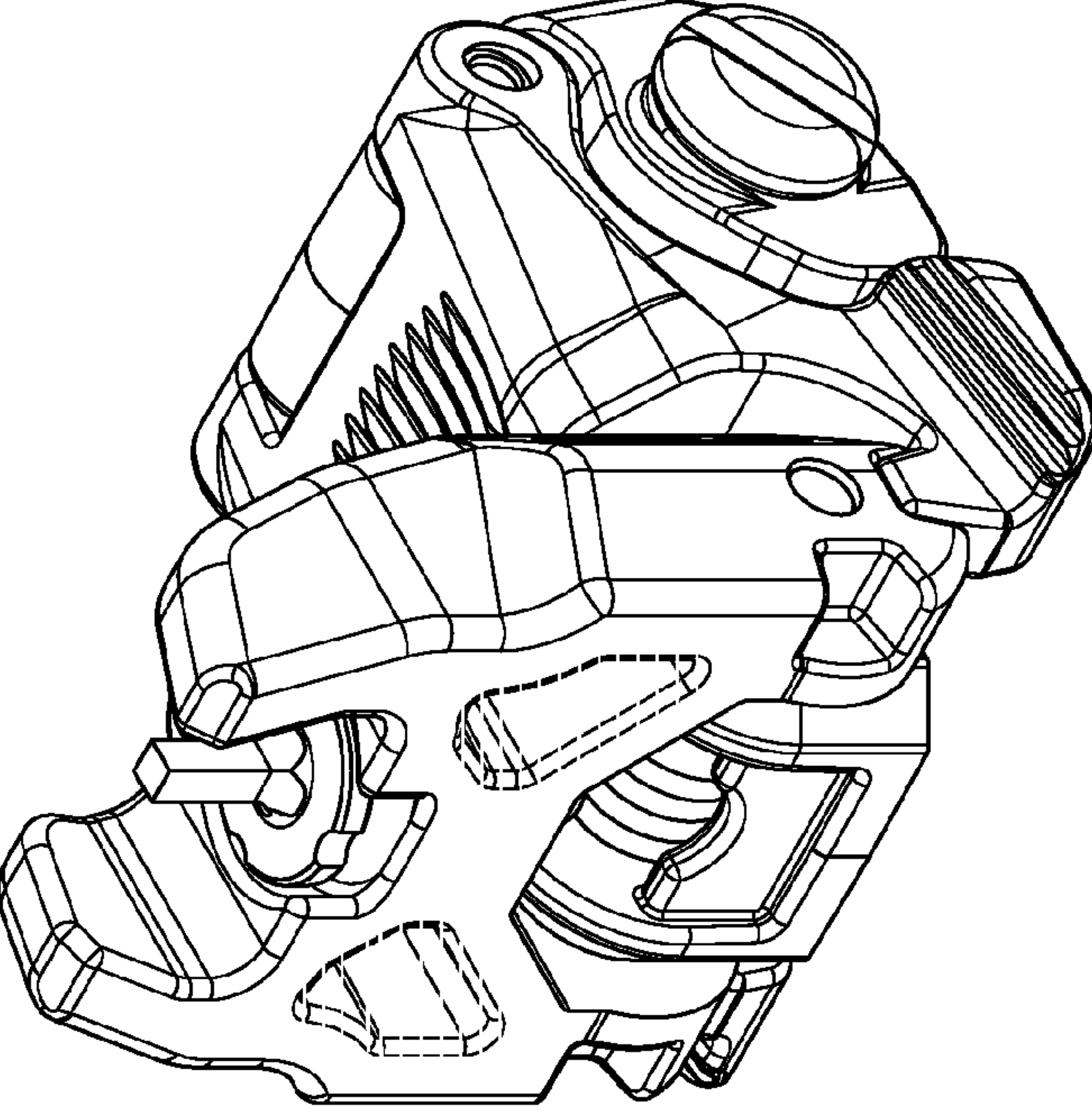


FIG. 17



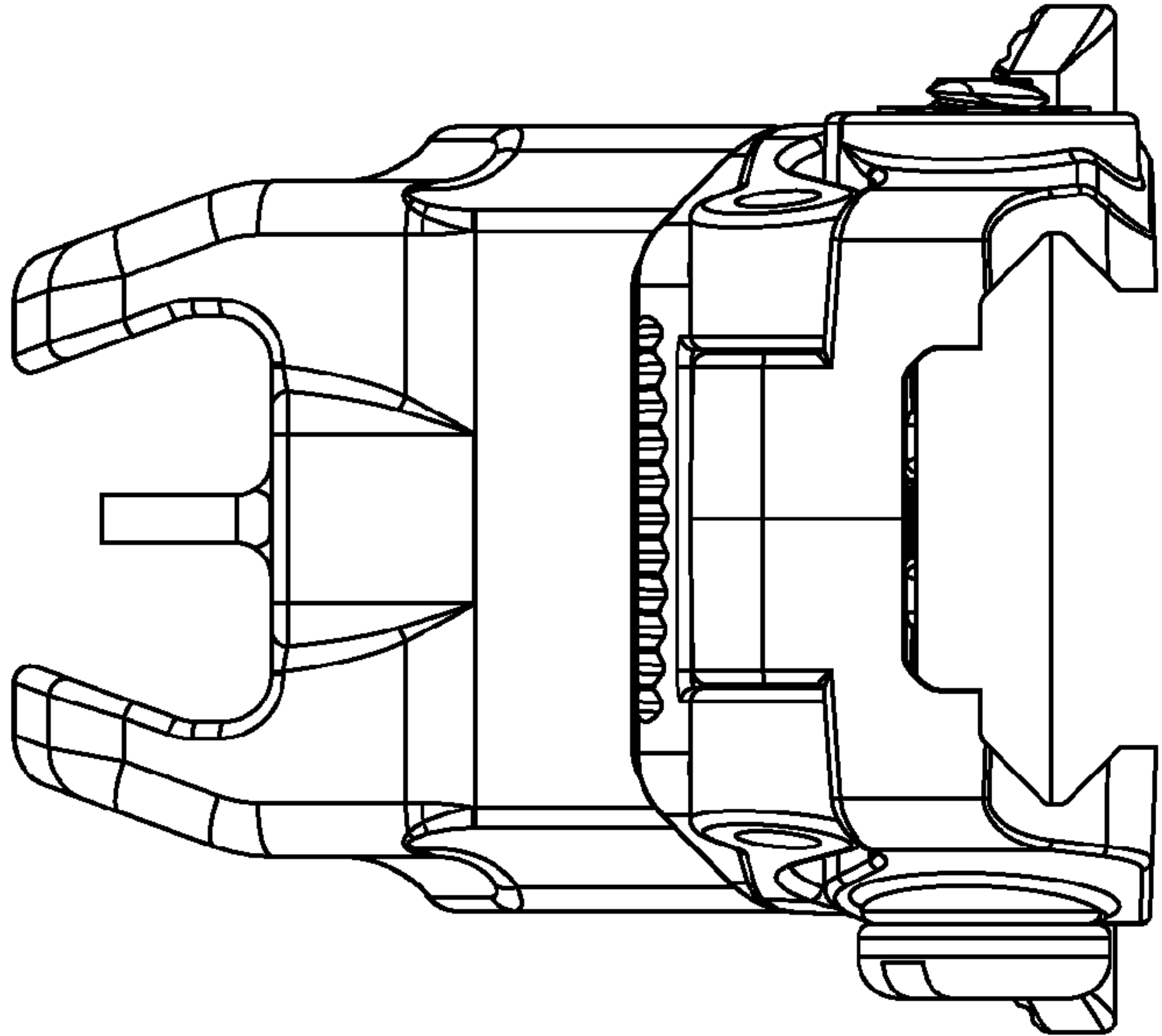


FIG. 19

FIG. 20

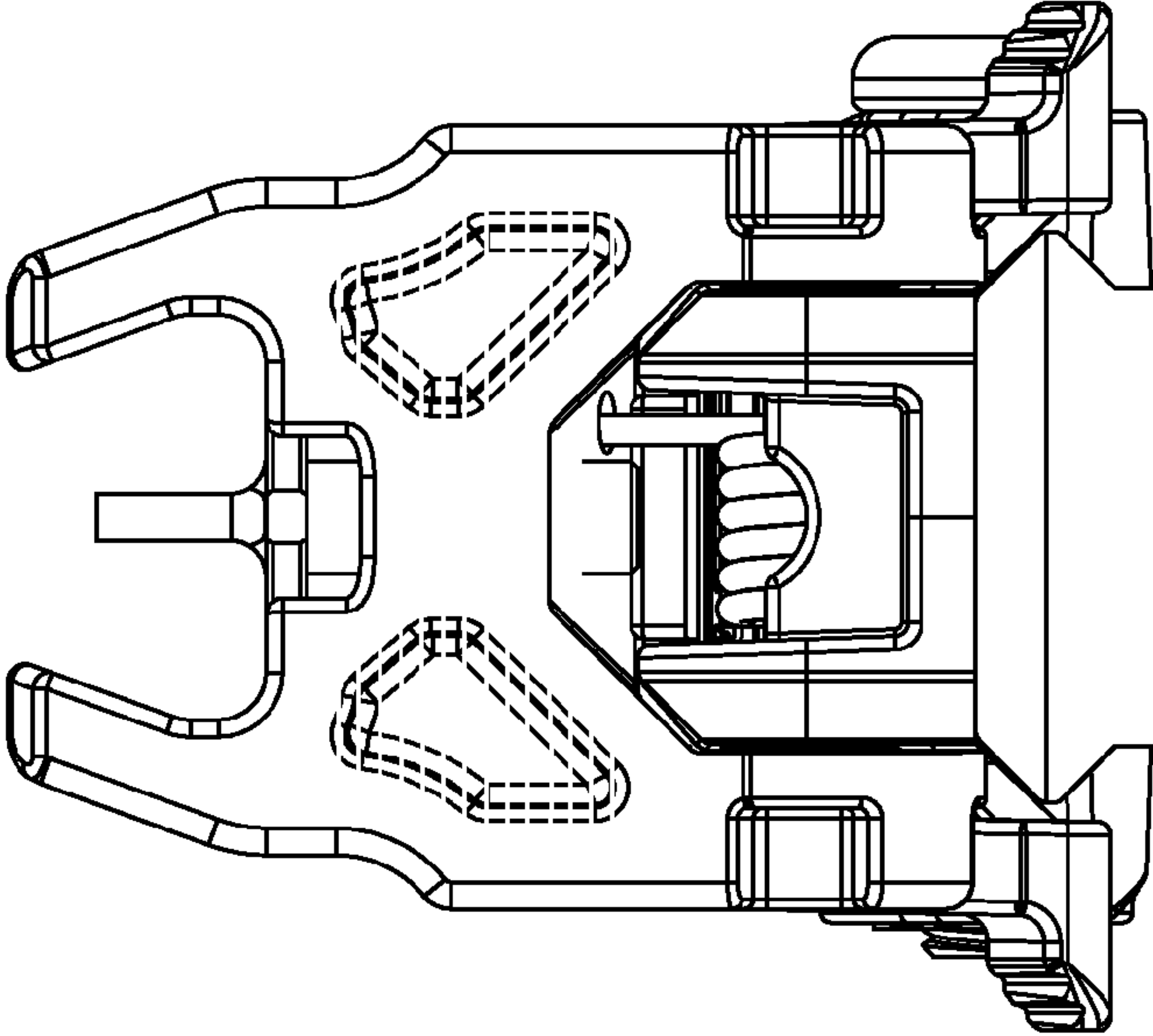


FIG. 22

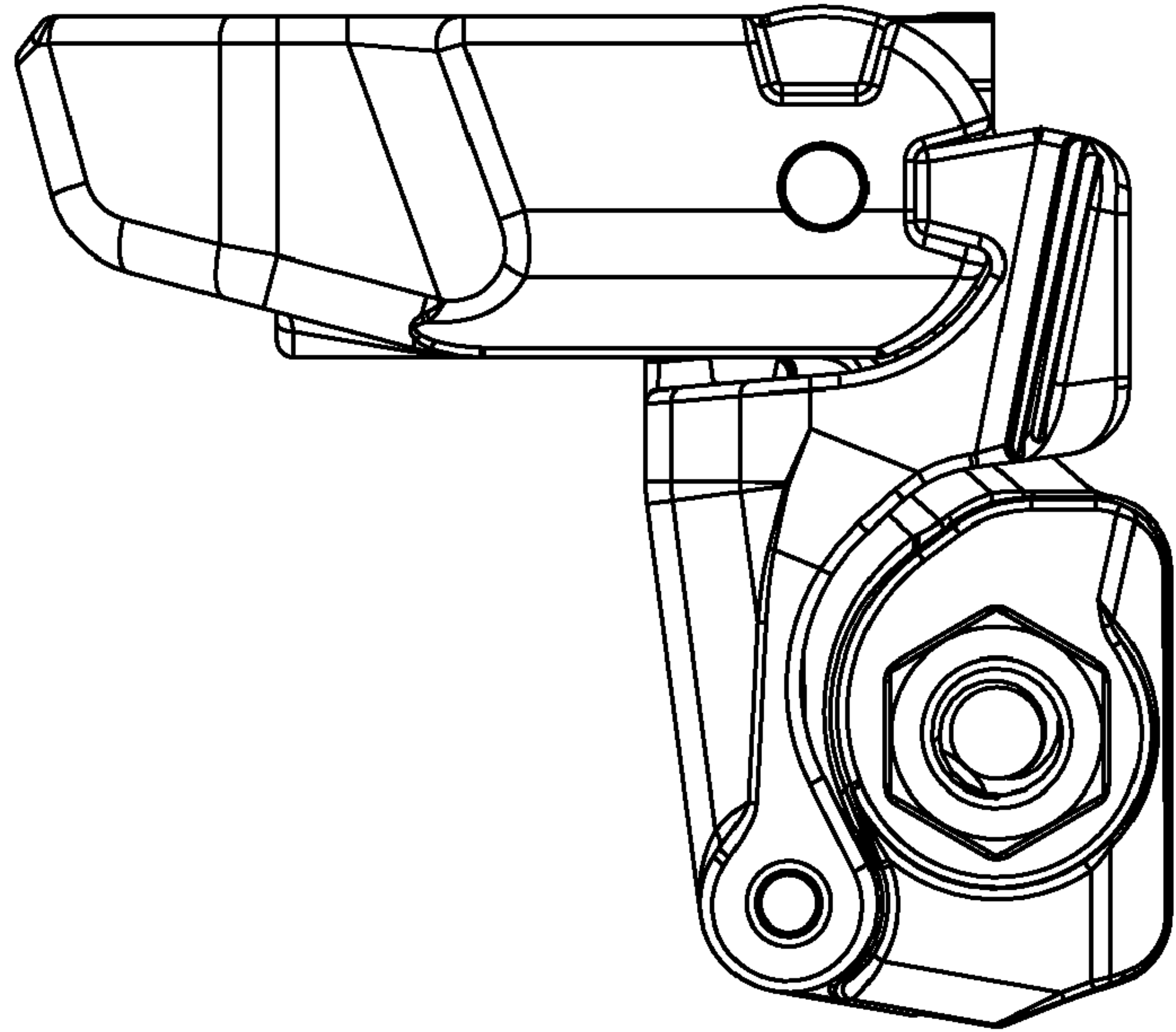
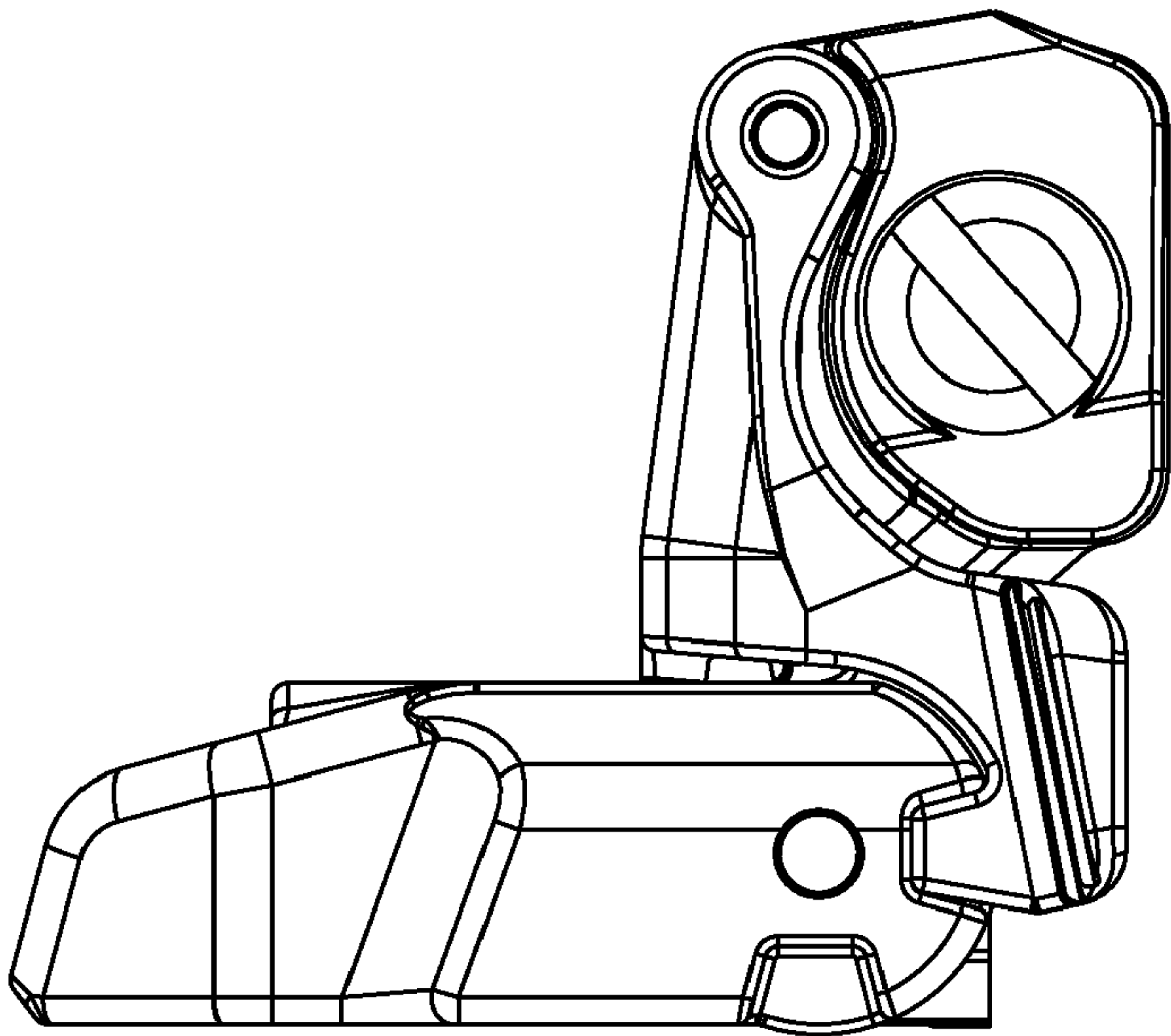


FIG. 21



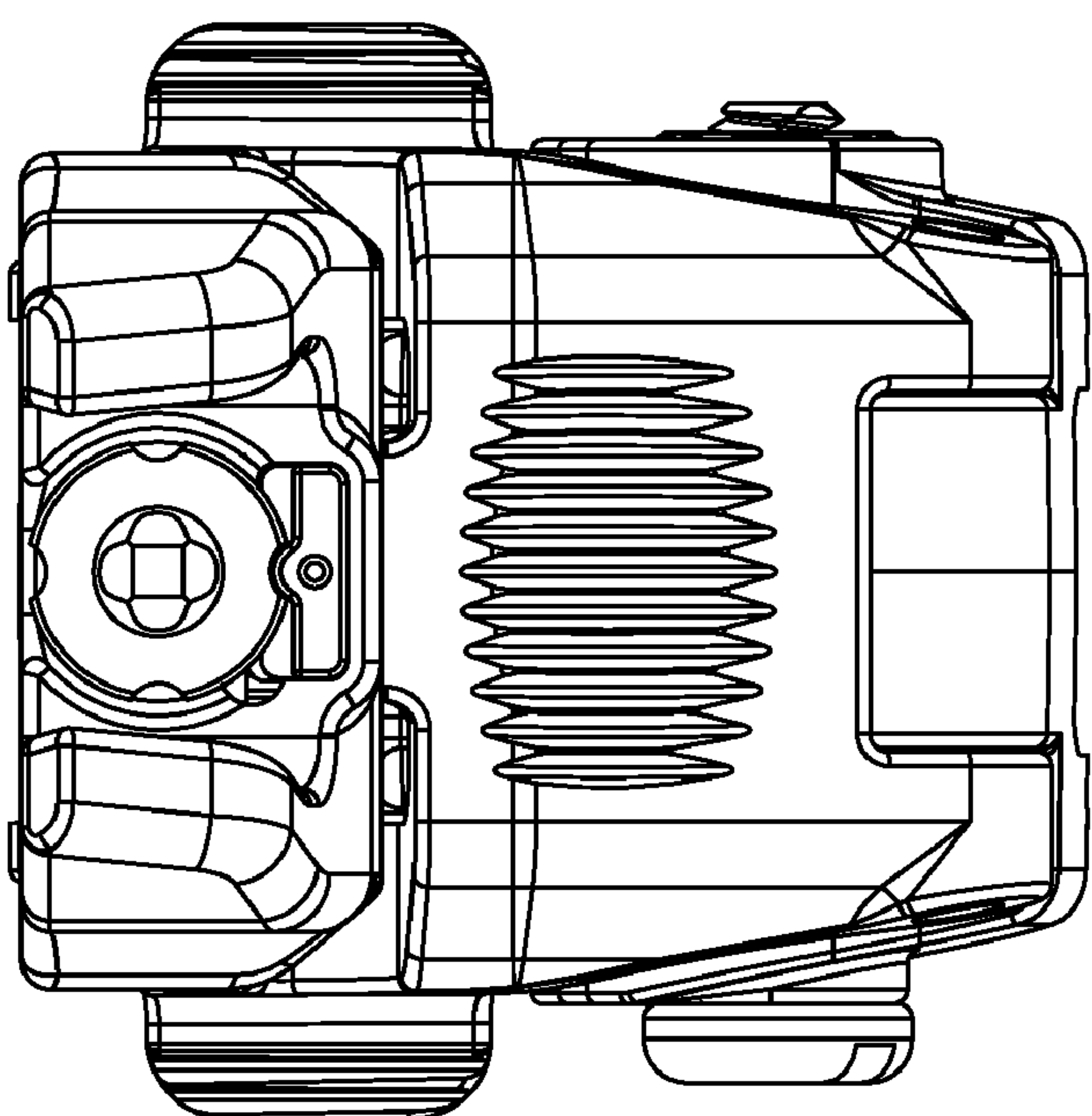


FIG. 23

FIG. 24

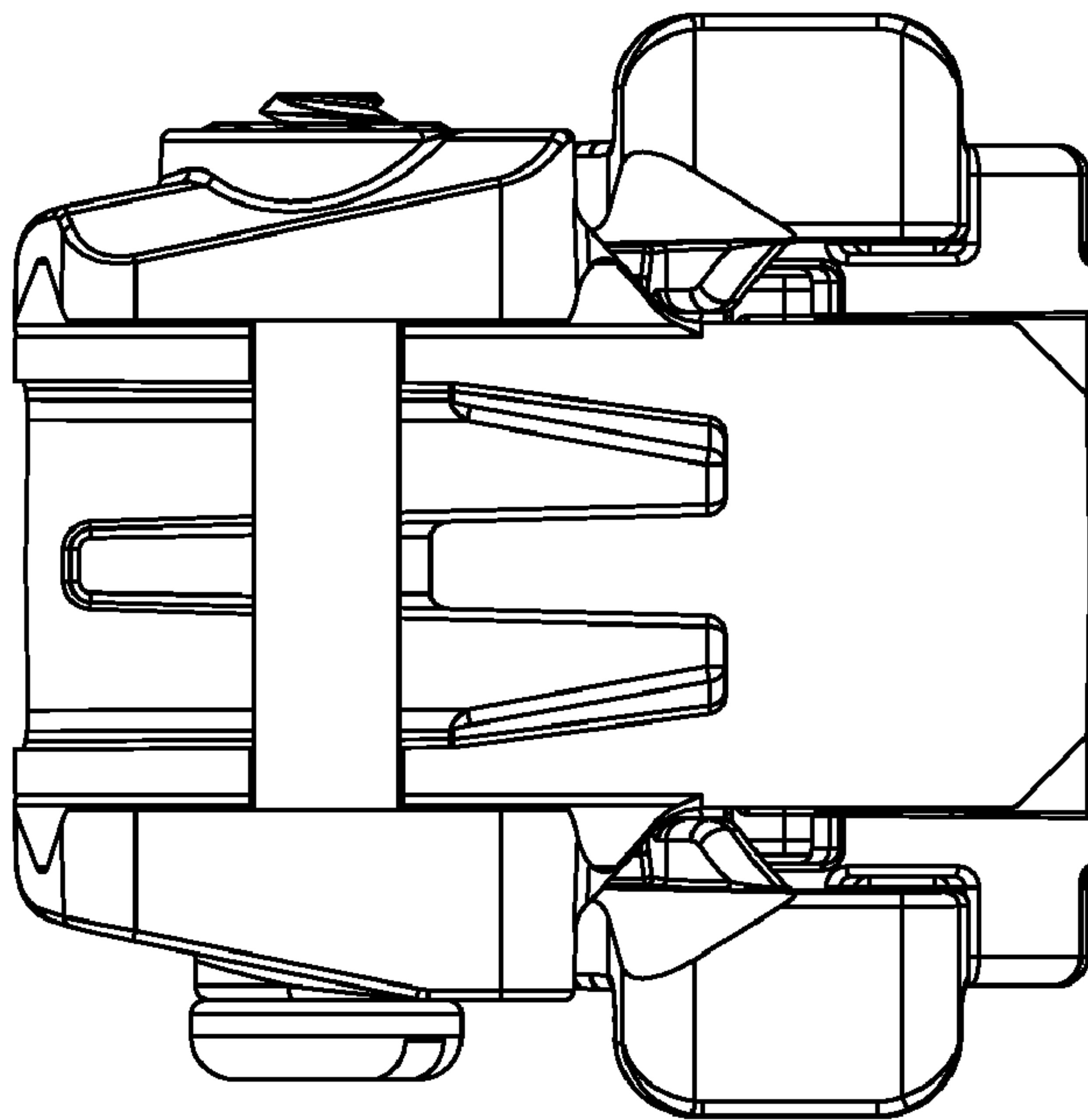


FIG. 26

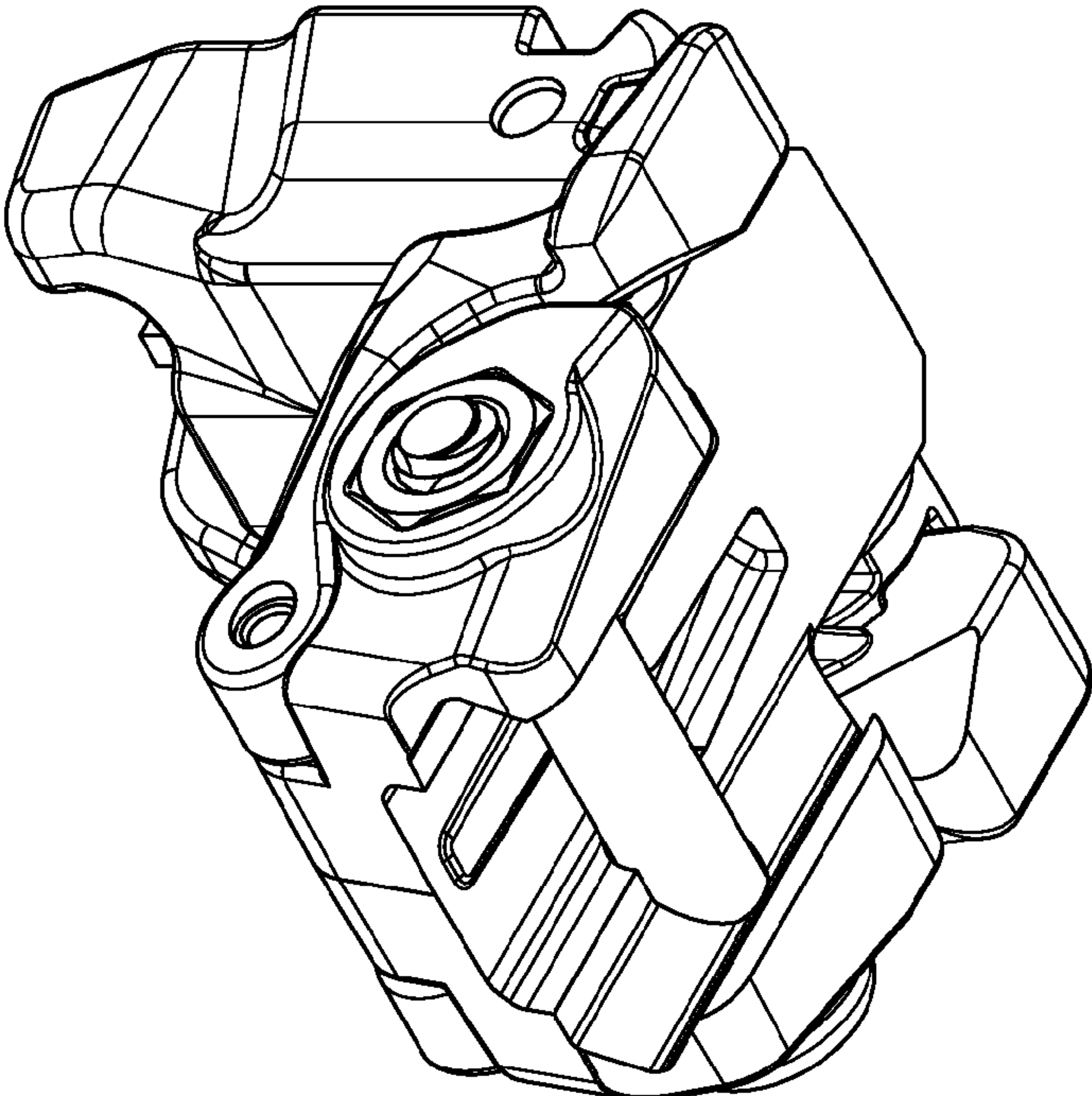
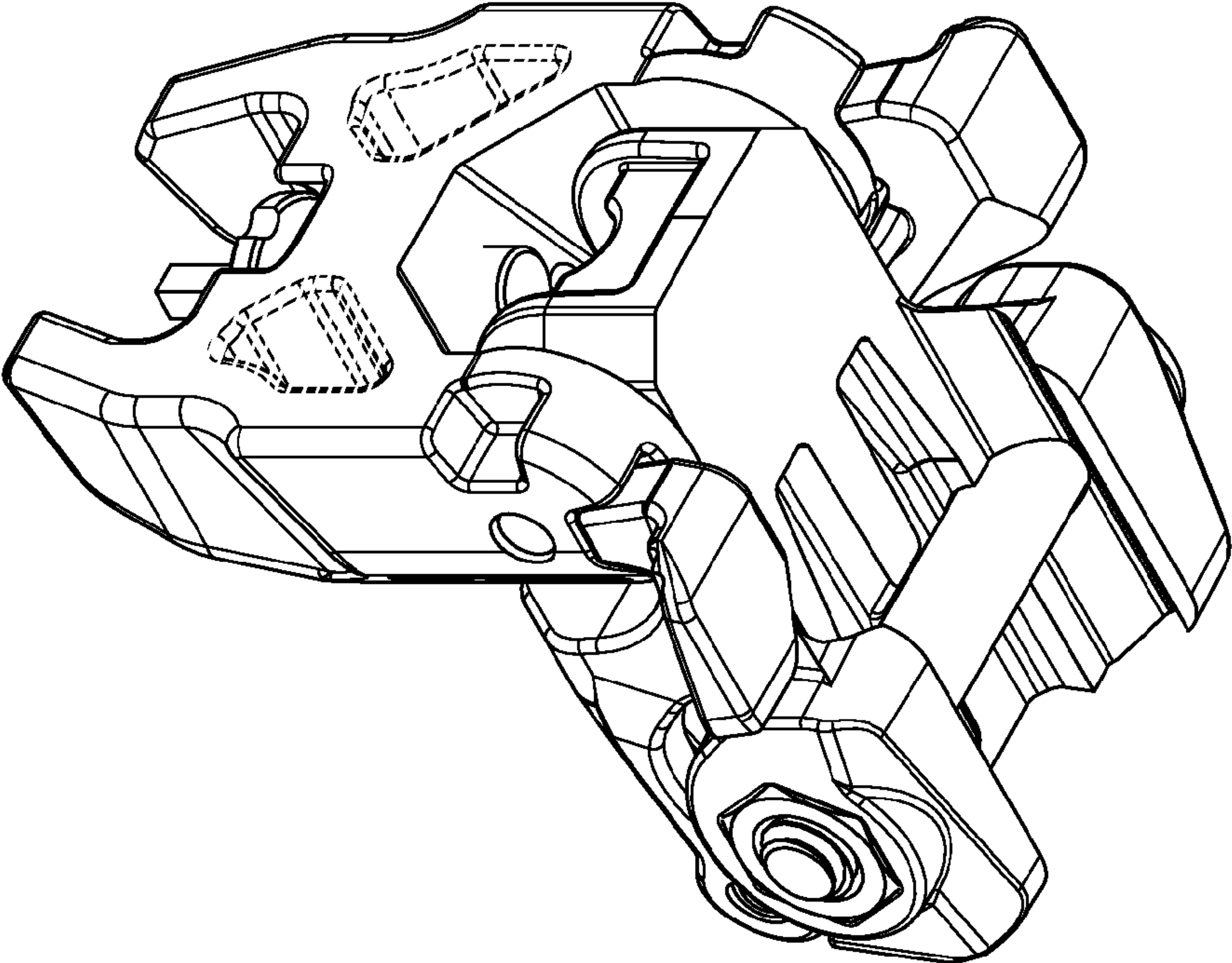


FIG. 25

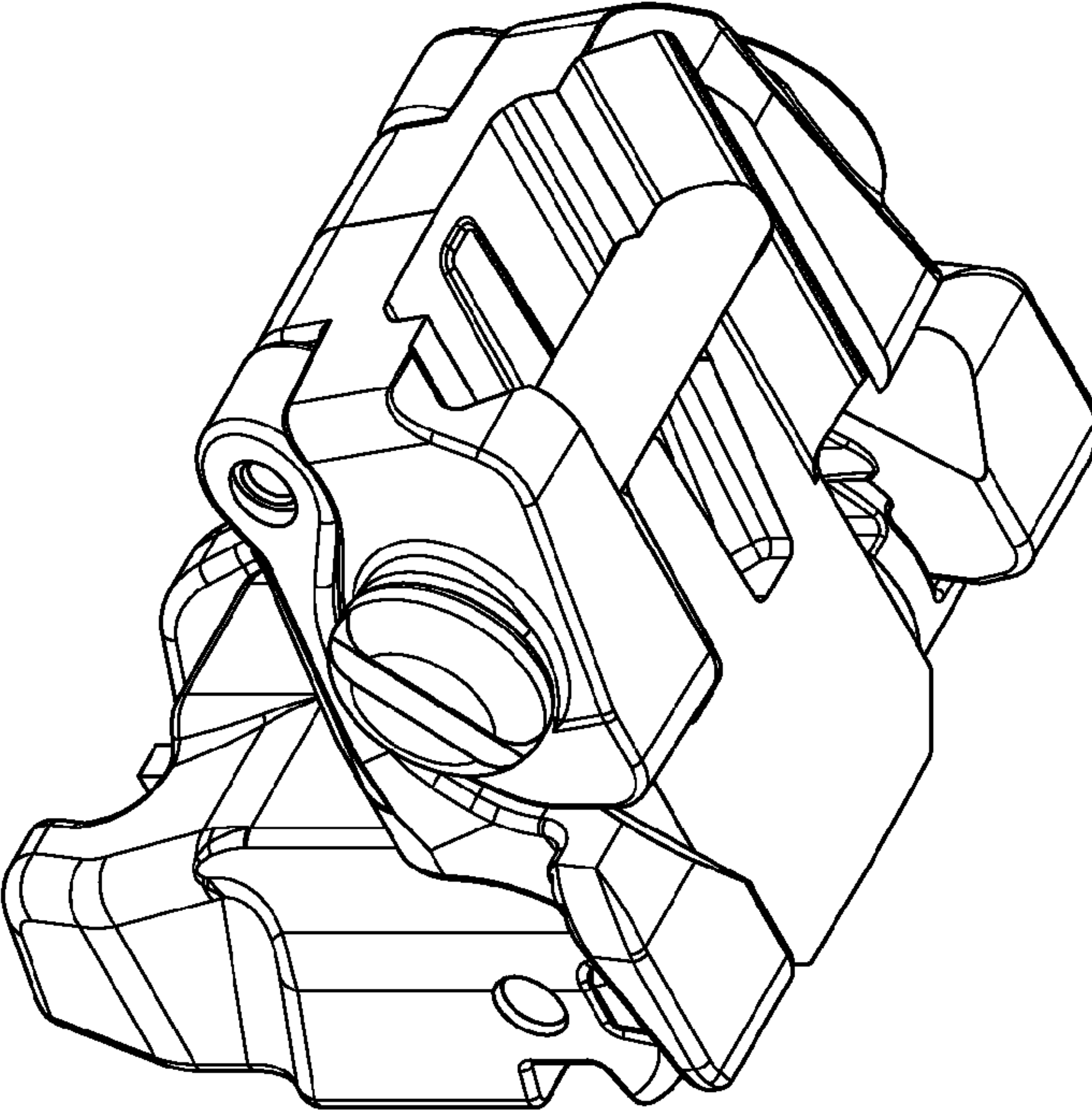


FIG. 28

FIG. 27

