



US00D615143S

(12) **United States Design Patent**
Fitzpatrick et al.

(10) **Patent No.:** **US D615,143 S**

(45) **Date of Patent:** **** May 4, 2010**

(54) **FOLLOWER FOR AMMUNITION MAGAZINE**

D588,227 S * 3/2009 Swenson et al. D22/108

* cited by examiner

(75) Inventors: **Richard M. Fitzpatrick**, Longmont, CO (US); **Michael T. Mayberry**, Denver, CO (US); **Brian L. Nakayama**, Arvada, CO (US)

Primary Examiner—T. Chase Nelson
Assistant Examiner—Michael A Pratt
(74) *Attorney, Agent, or Firm*—Geoffrey E. Dobbin

(73) Assignee: **Magpul Industries Corp.**, Boulder, CO (US)

(57) **CLAIM**

An ornamental design for a follower for ammunition magazine, as shown and described.

(**) Term: **14 Years**

(21) Appl. No.: **29/329,454**

DESCRIPTION

(22) Filed: **Dec. 15, 2008**

Related U.S. Application Data

(63) Continuation-in-part of application No. 11/307,495, filed on Feb. 9, 2006, now Pat. No. 7,621,063.

FIG. 1 is a top plan view of the follower.
FIG. 2 is a bottom plan view of the follower.
FIG. 3 is a top/rear/right perspective view of the follower.
FIG. 4 is a front plan view of the stock adapter.
FIG. 5 is a rear plan view of the stock adapter.
FIG. 6 is a left plan view of the stock adapter.
FIG. 7 is a right plan view of the stock adapter.
FIG. 8 is a bottom/front/right perspective view of the follower.
FIG. 9 is a bottom/front/left perspective view of the follower.
FIG. 10 is a top/front/left perspective view of the follower.
FIG. 11 is a top/front/right perspective view of the follower.
FIG. 12 is a top/rear/left perspective view of the follower.
FIG. 13 is a bottom/rear/left perspective view of the follower; and,
FIG. 14 is a bottom/rear/right perspective view of the follower.

(51) **LOC (9) Cl.** **22-01**

(52) **U.S. Cl.** **D22/108**

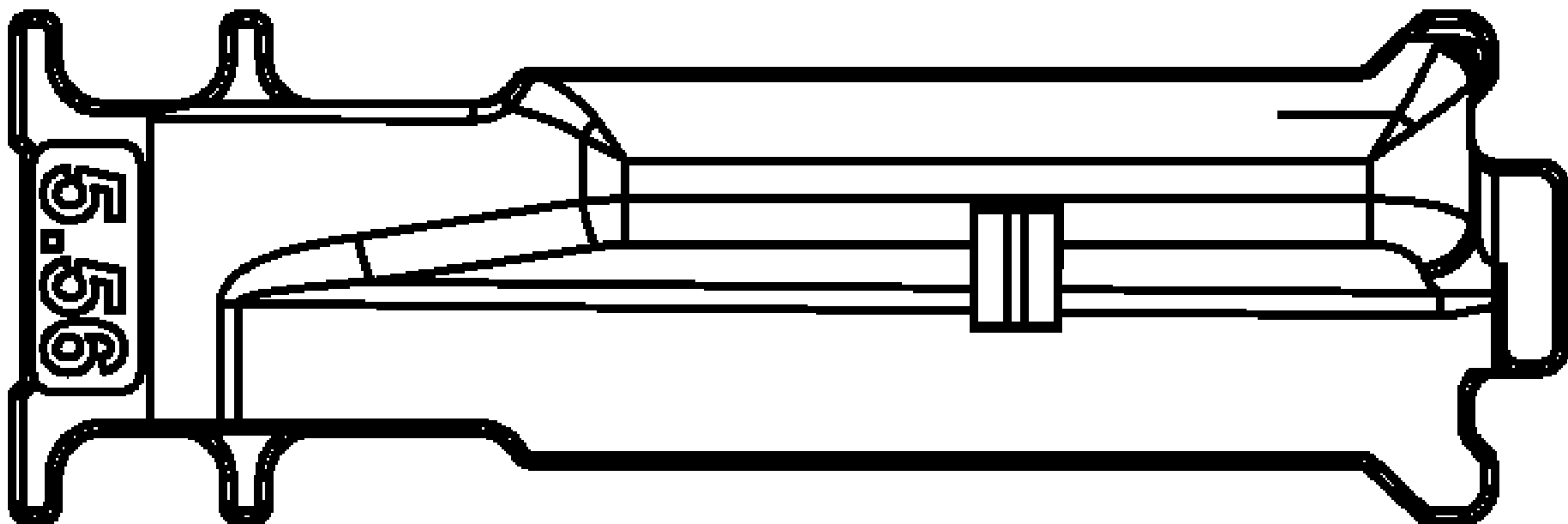
(58) **Field of Classification Search** D22/100, D22/108, 109, 110, 199; 42/11, 72, 75.02, 42/71.01, 85, 90, 106, 114, 113, 116, 119, 42/124, 125, 127, 145, 128; 248/201, 205.1
See application file for complete search history.

(56) **References Cited**

U.S. PATENT DOCUMENTS

D487,791 S * 3/2004 Freed D22/108
6,748,689 B2 * 6/2004 Fitzpatrick 42/50
6,754,987 B1 * 6/2004 Cheng et al. 42/87
D502,524 S * 3/2005 Fisher et al. D22/108
7,117,622 B2 * 10/2006 Freed et al. 42/7

1 Claim, 4 Drawing Sheets



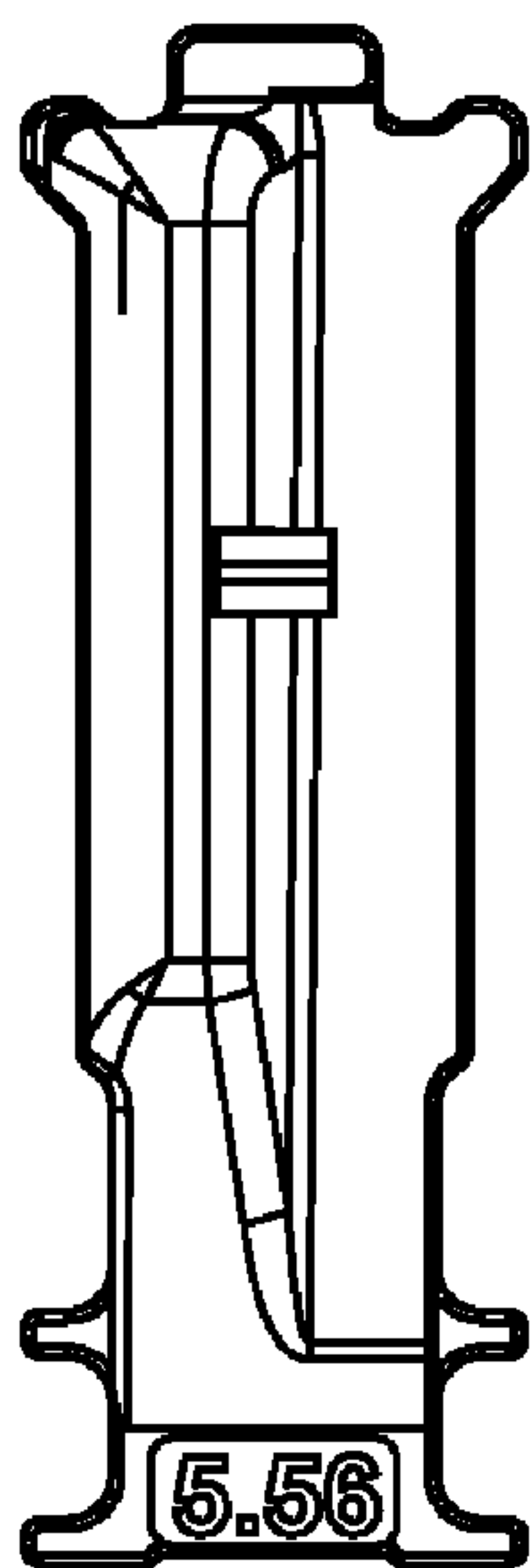


FIG. 1

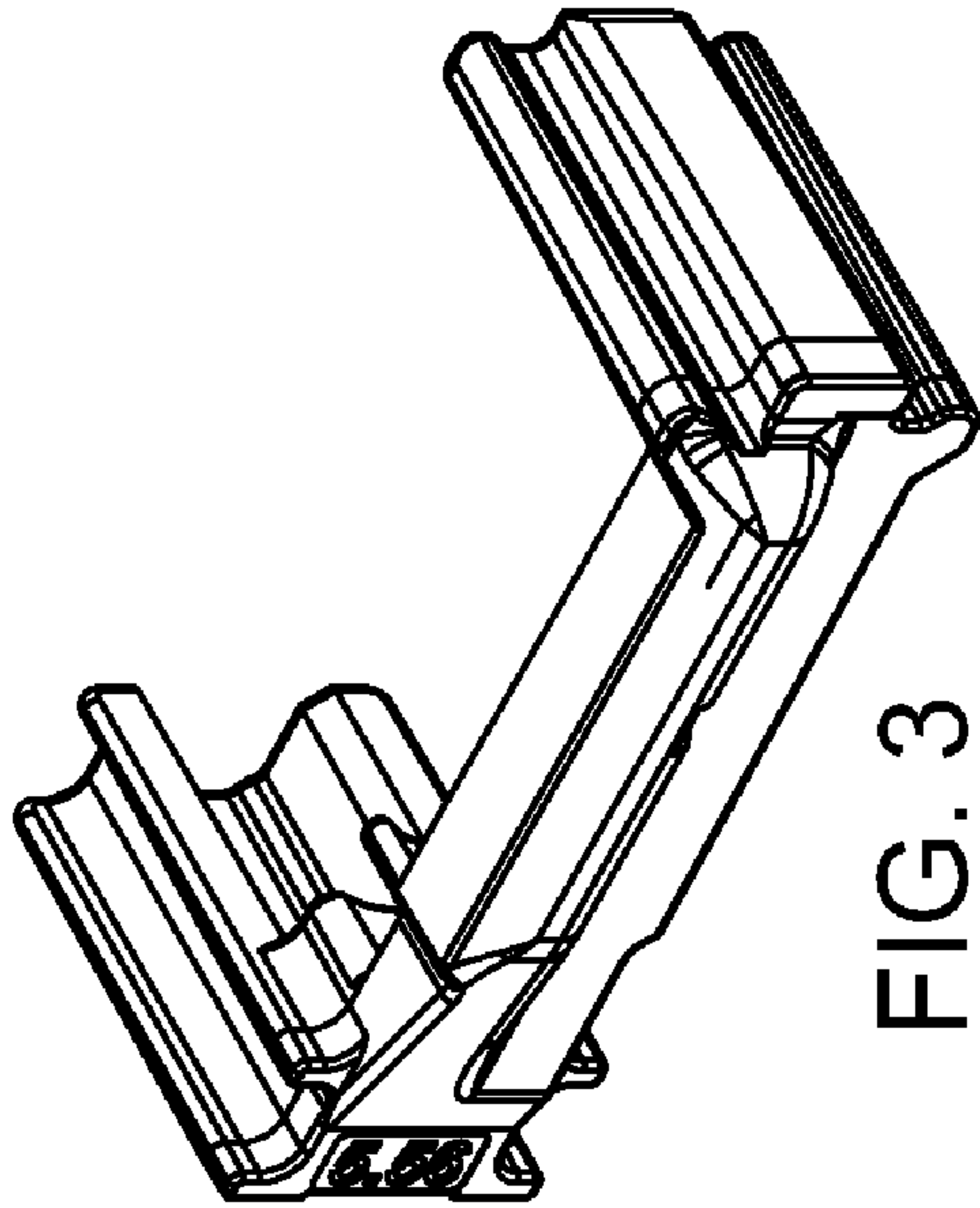


FIG. 3

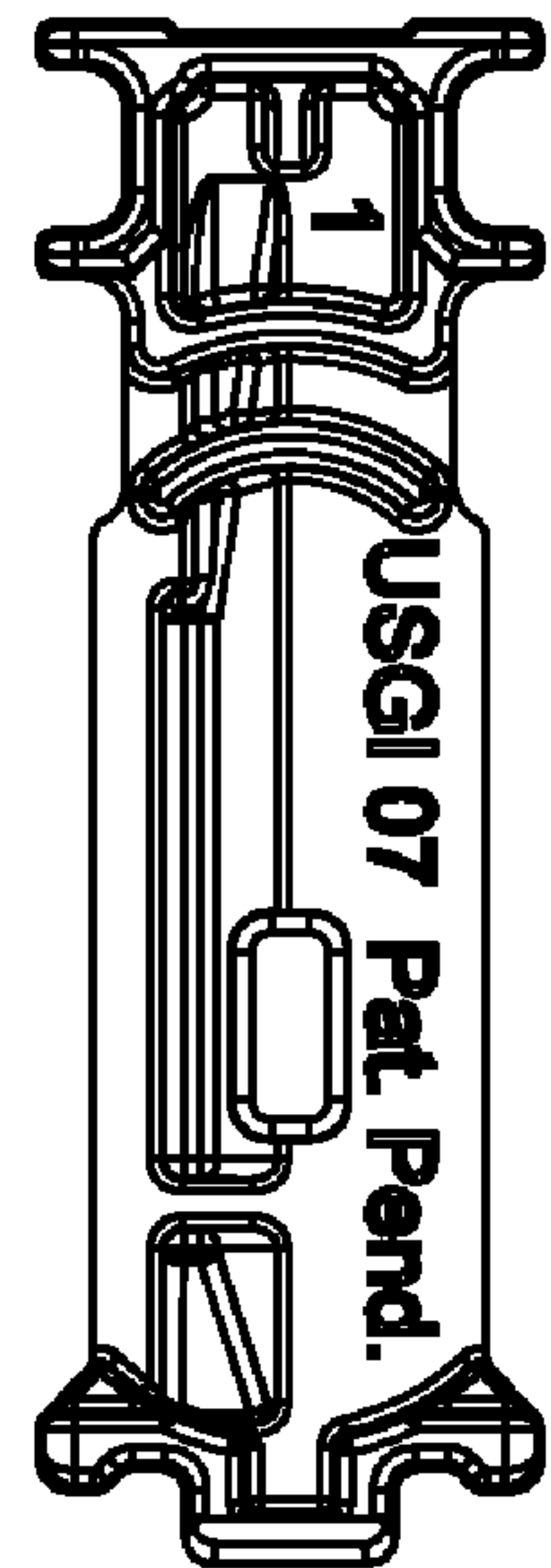


FIG. 2

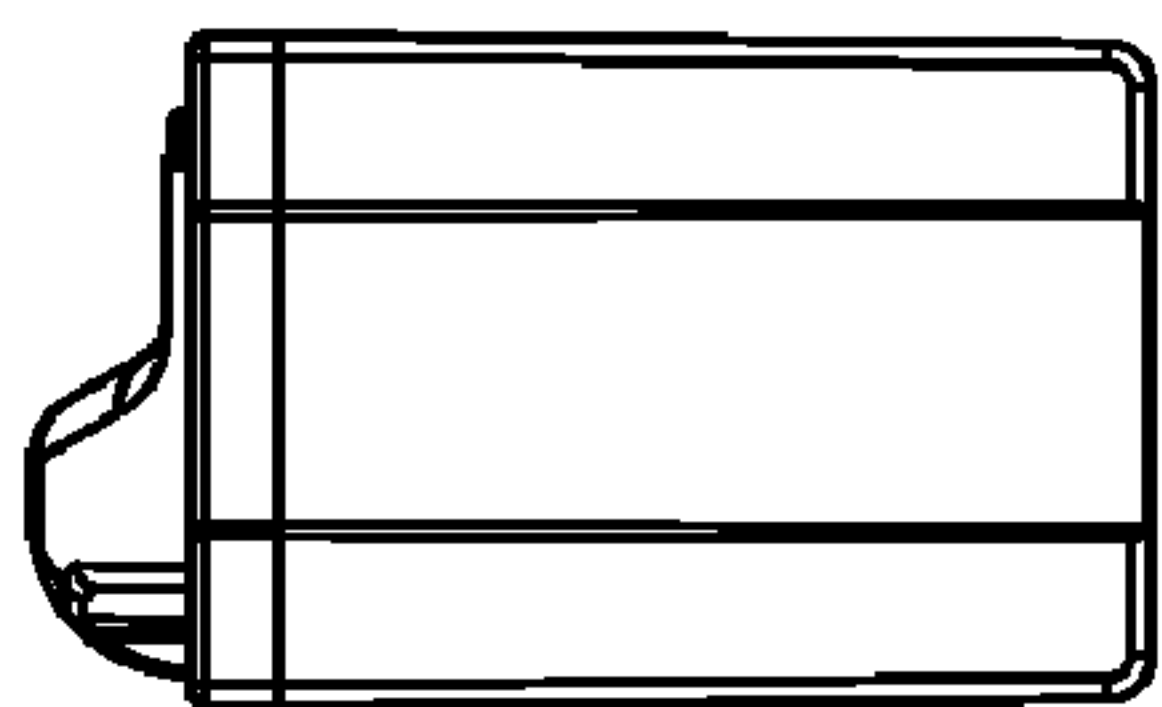


FIG. 4

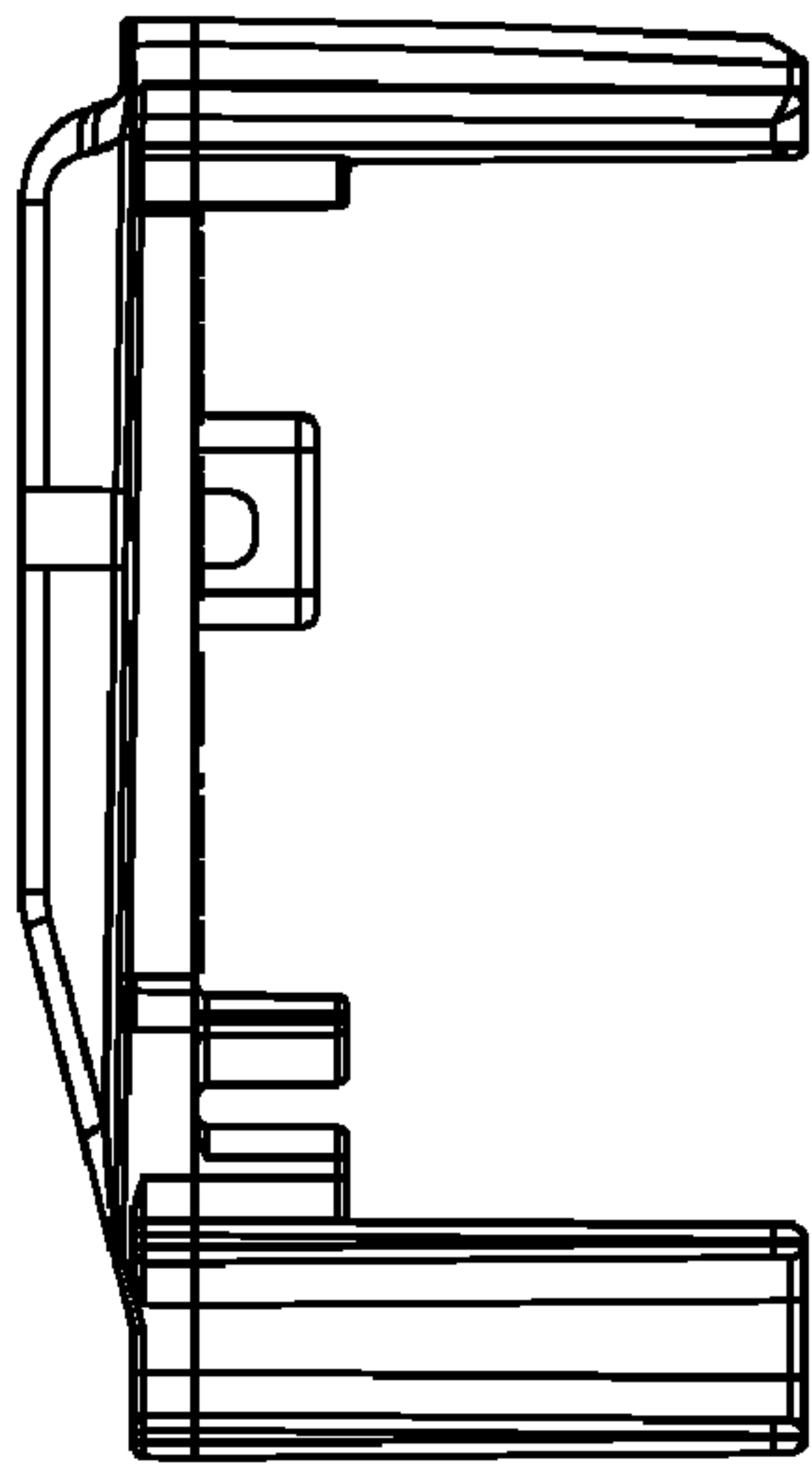


FIG. 6

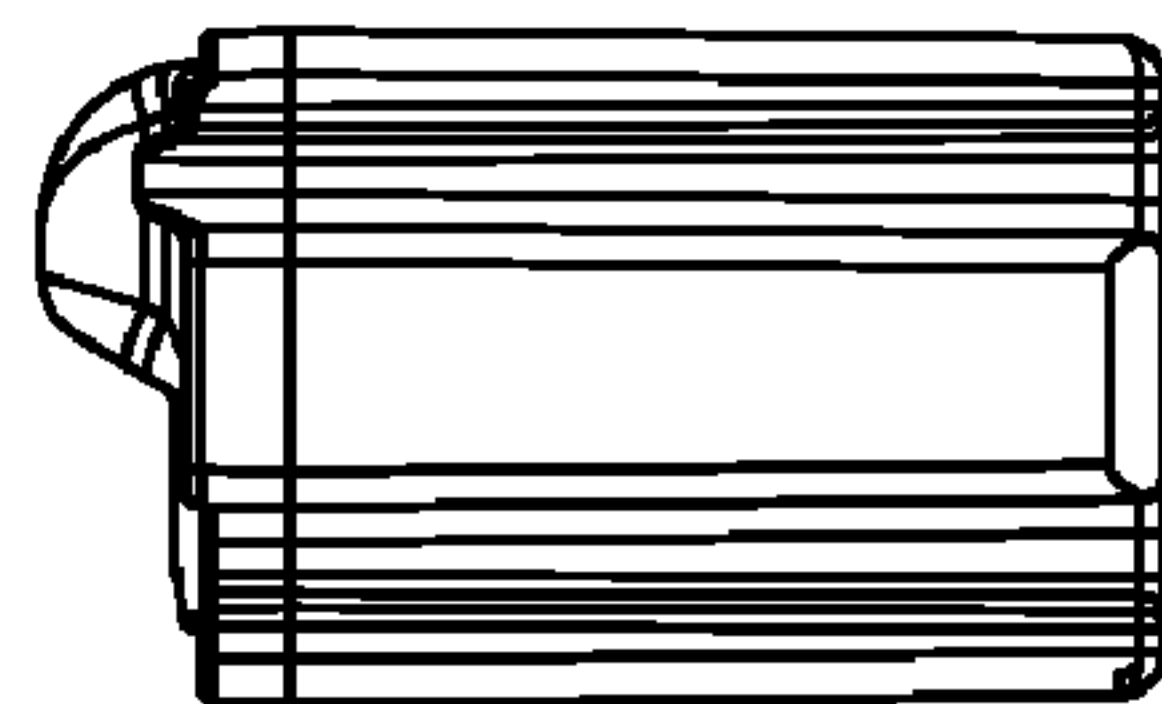


FIG. 5

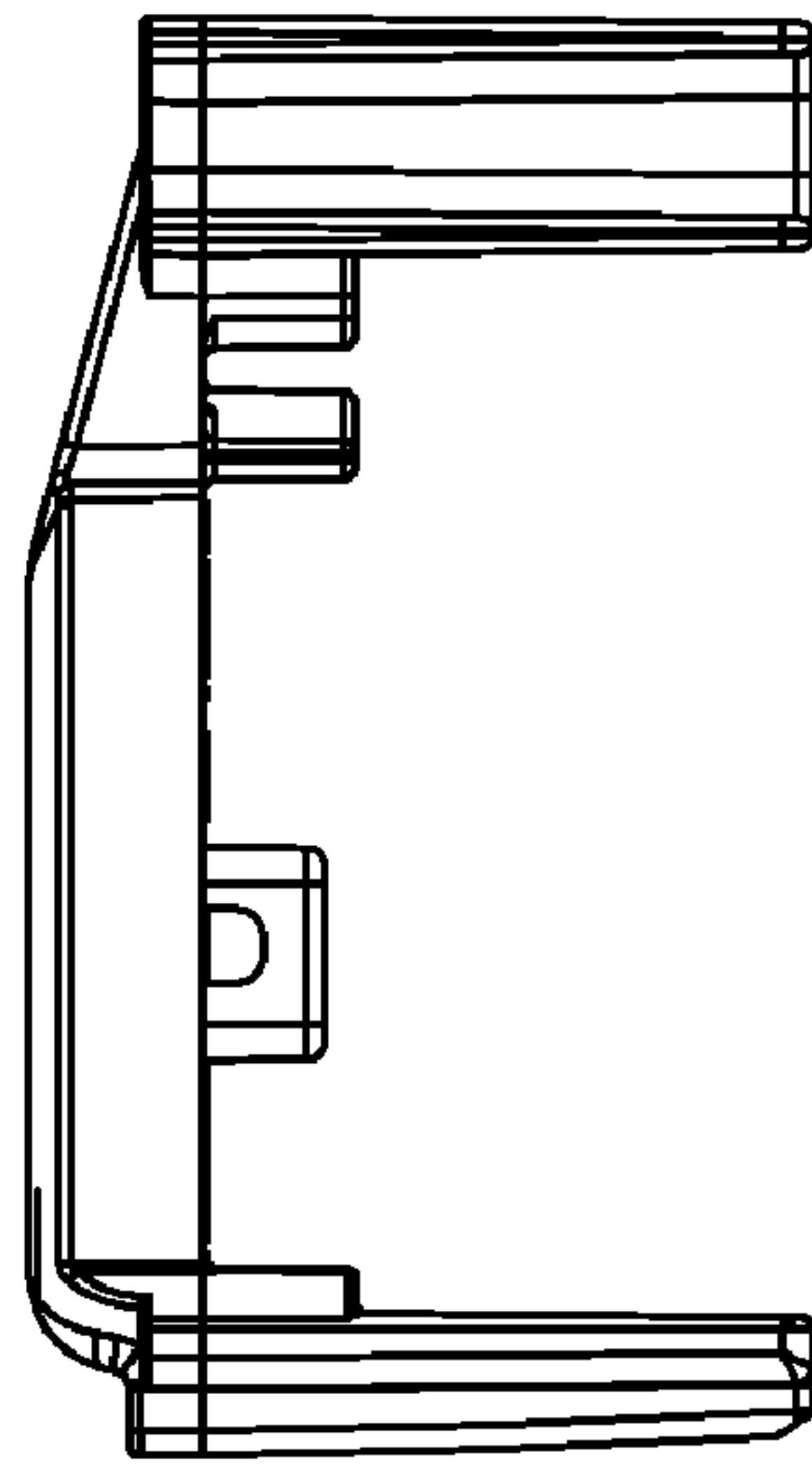


FIG. 7

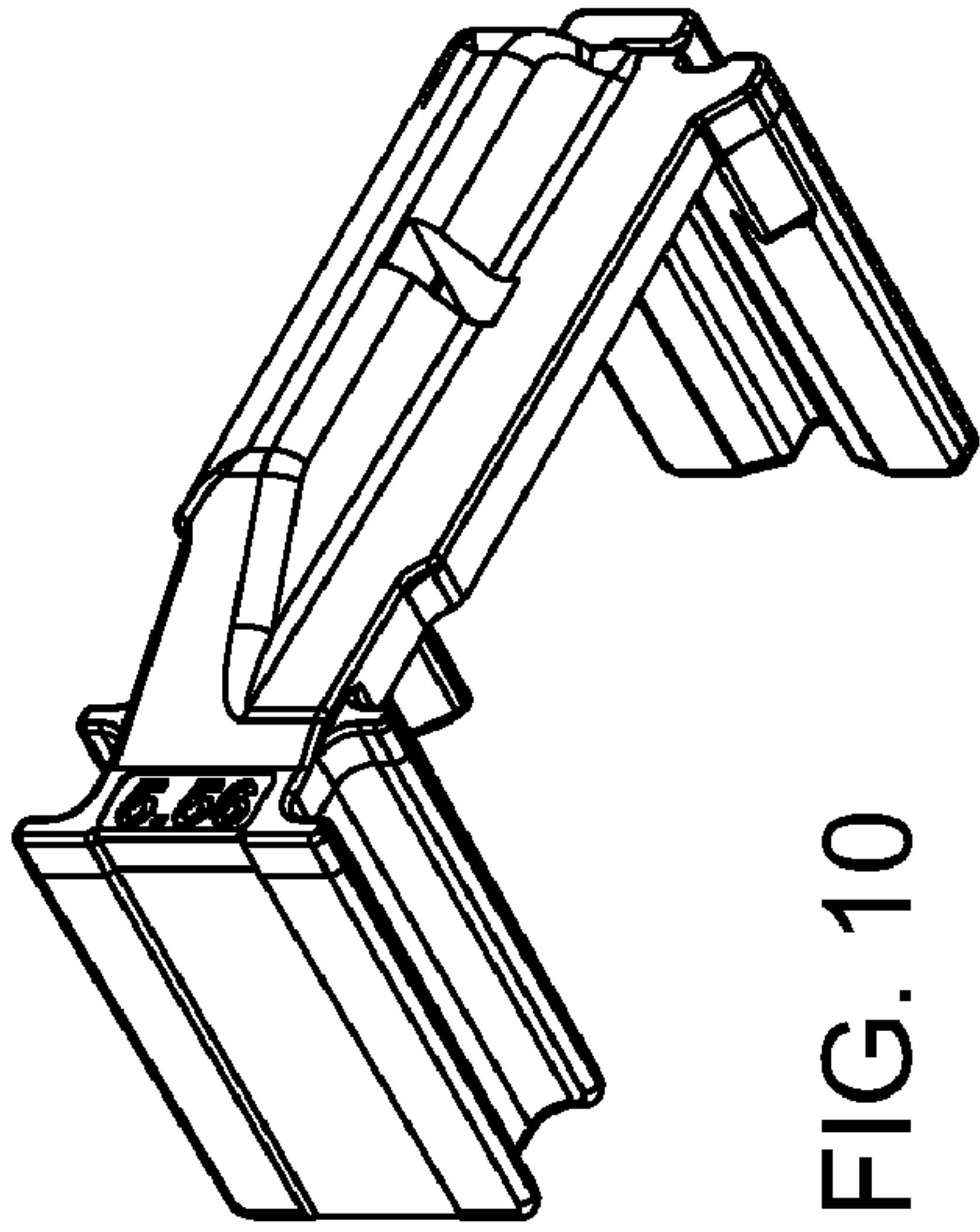


FIG. 10

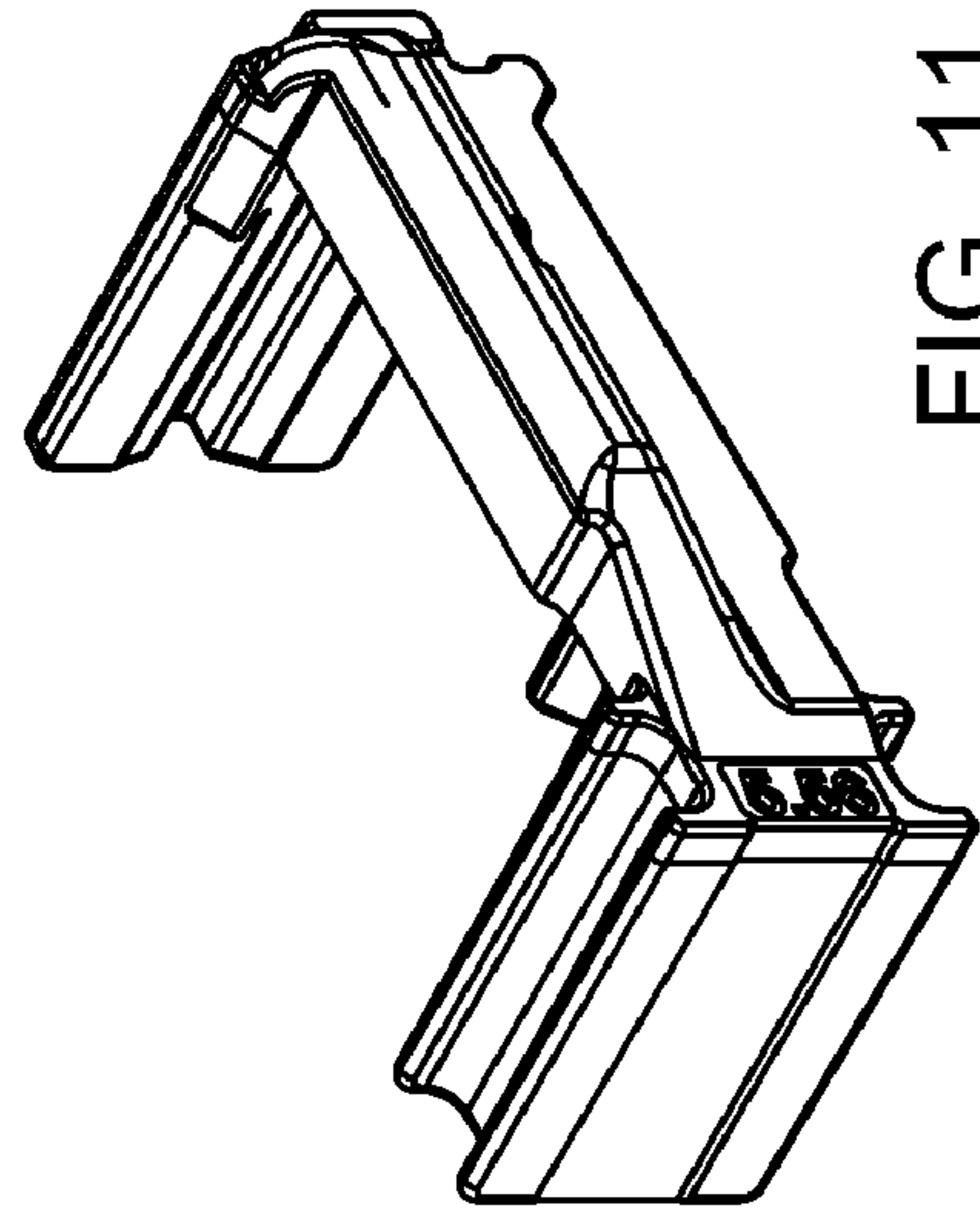


FIG. 11

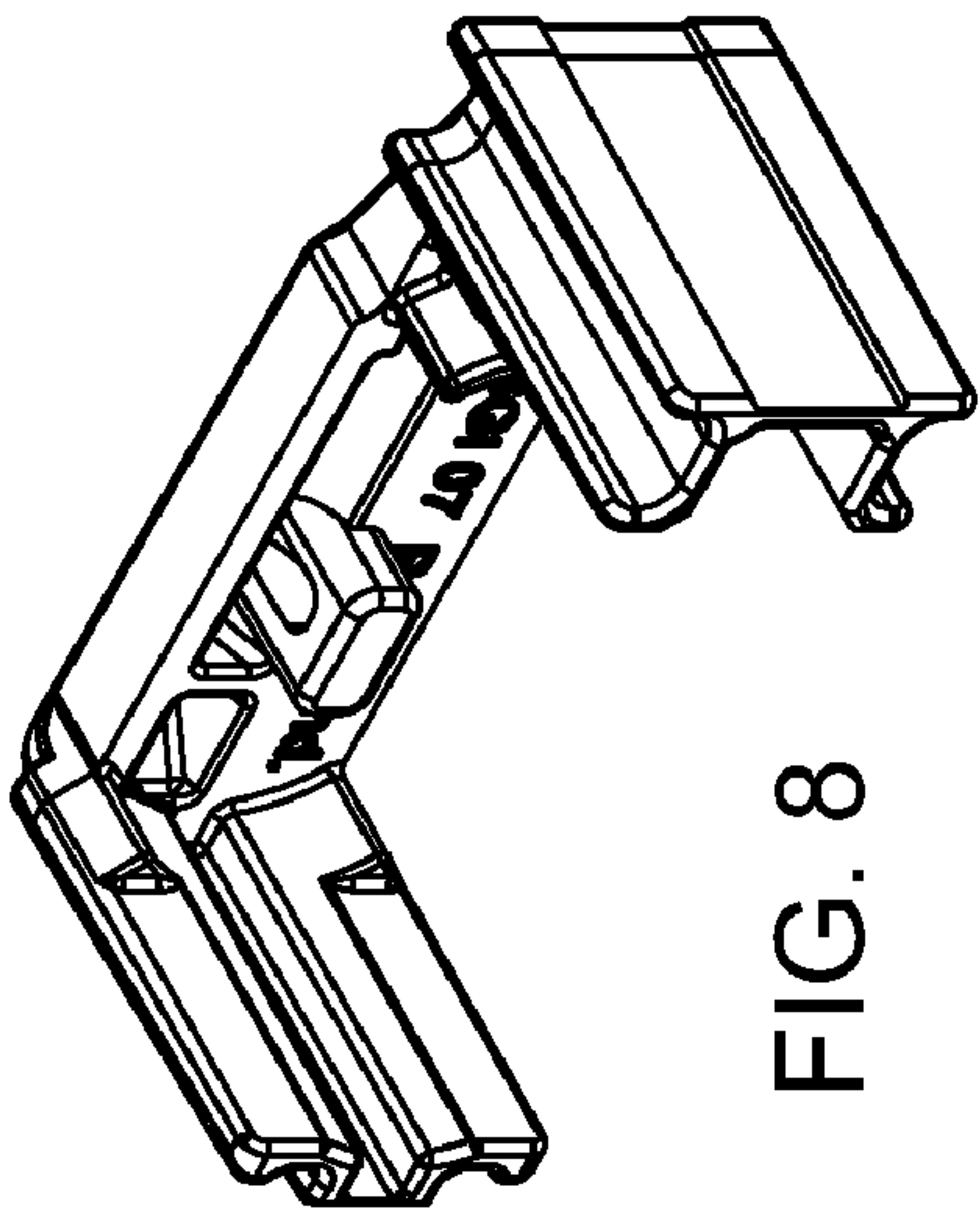


FIG. 8

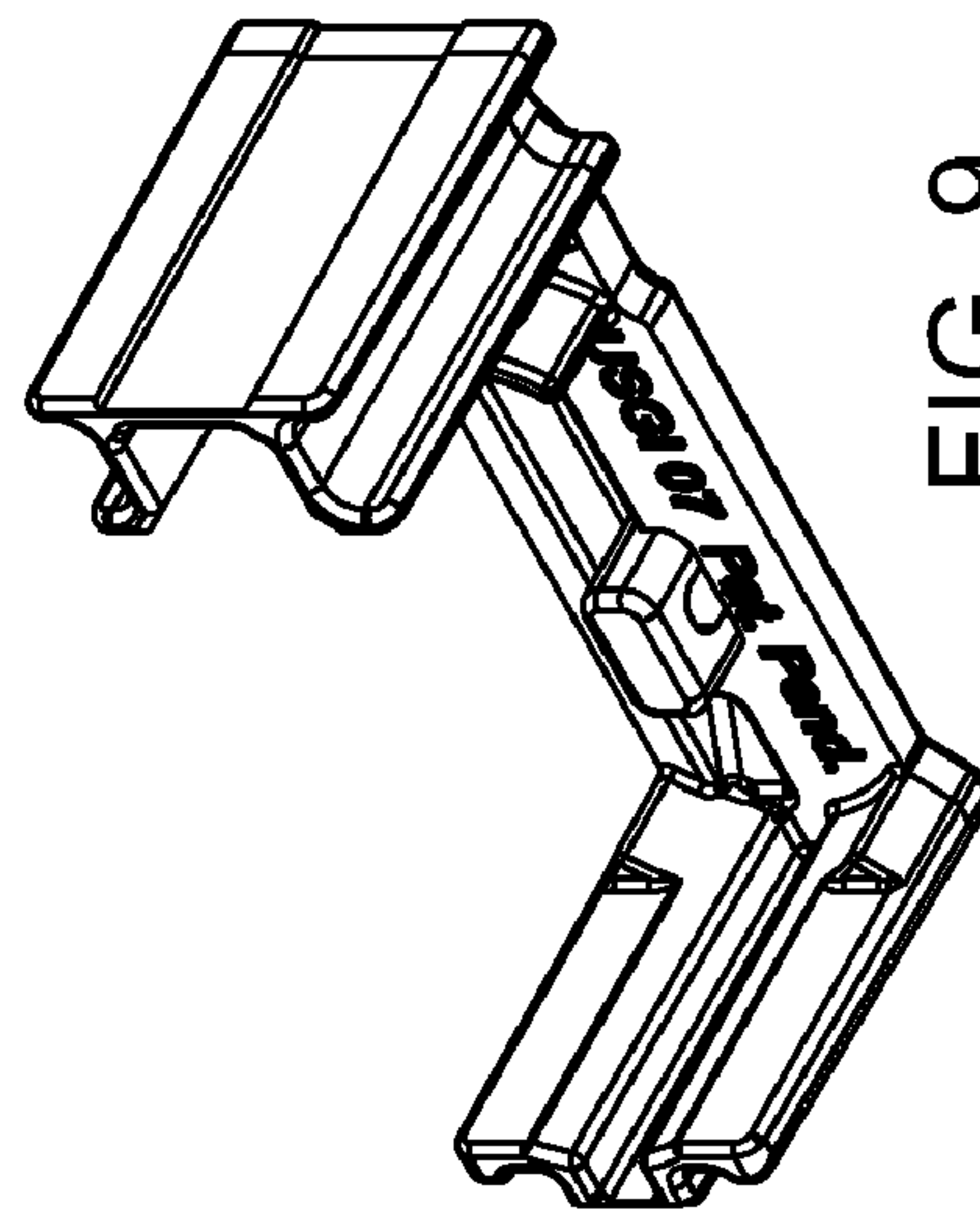


FIG. 9

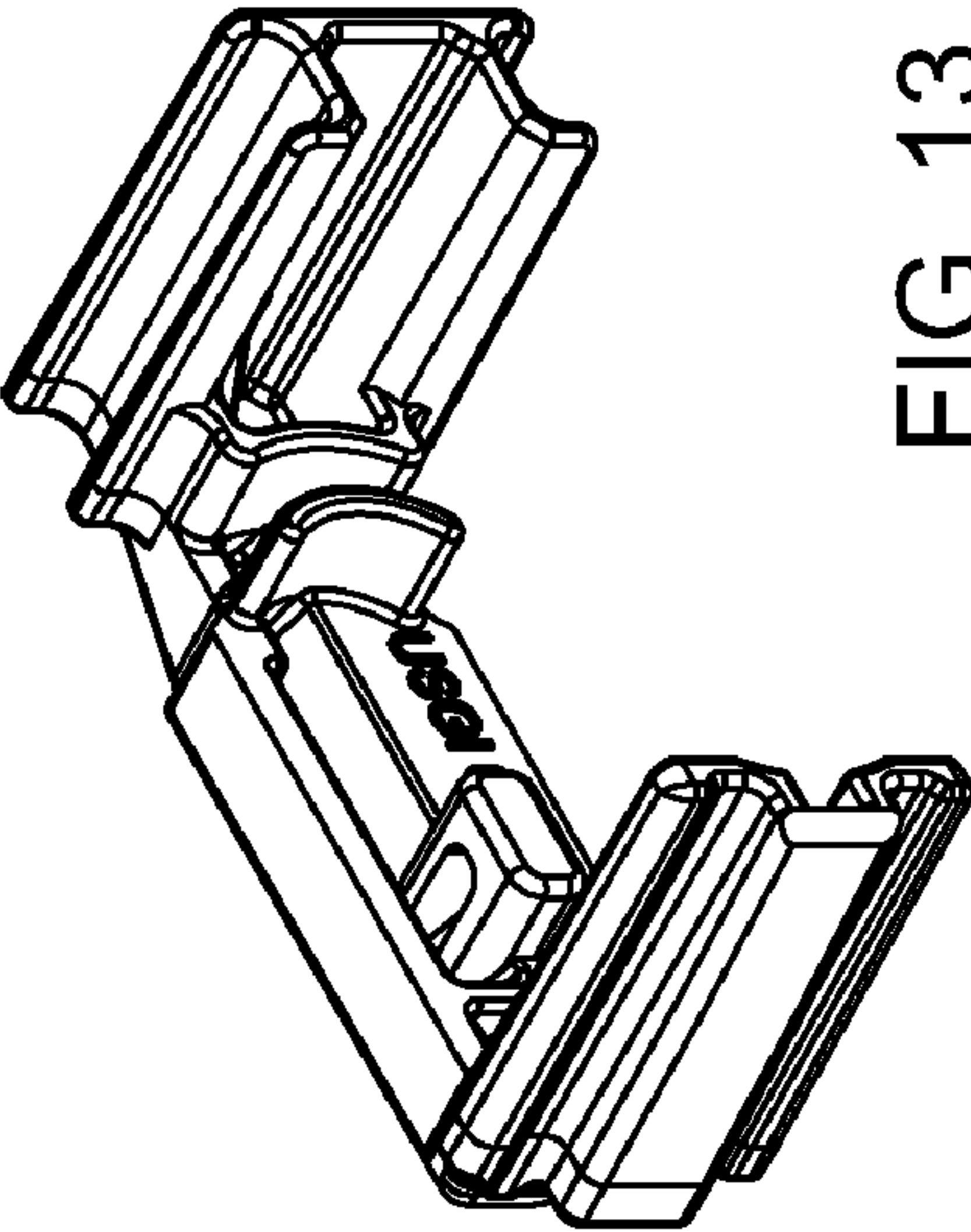


FIG. 13

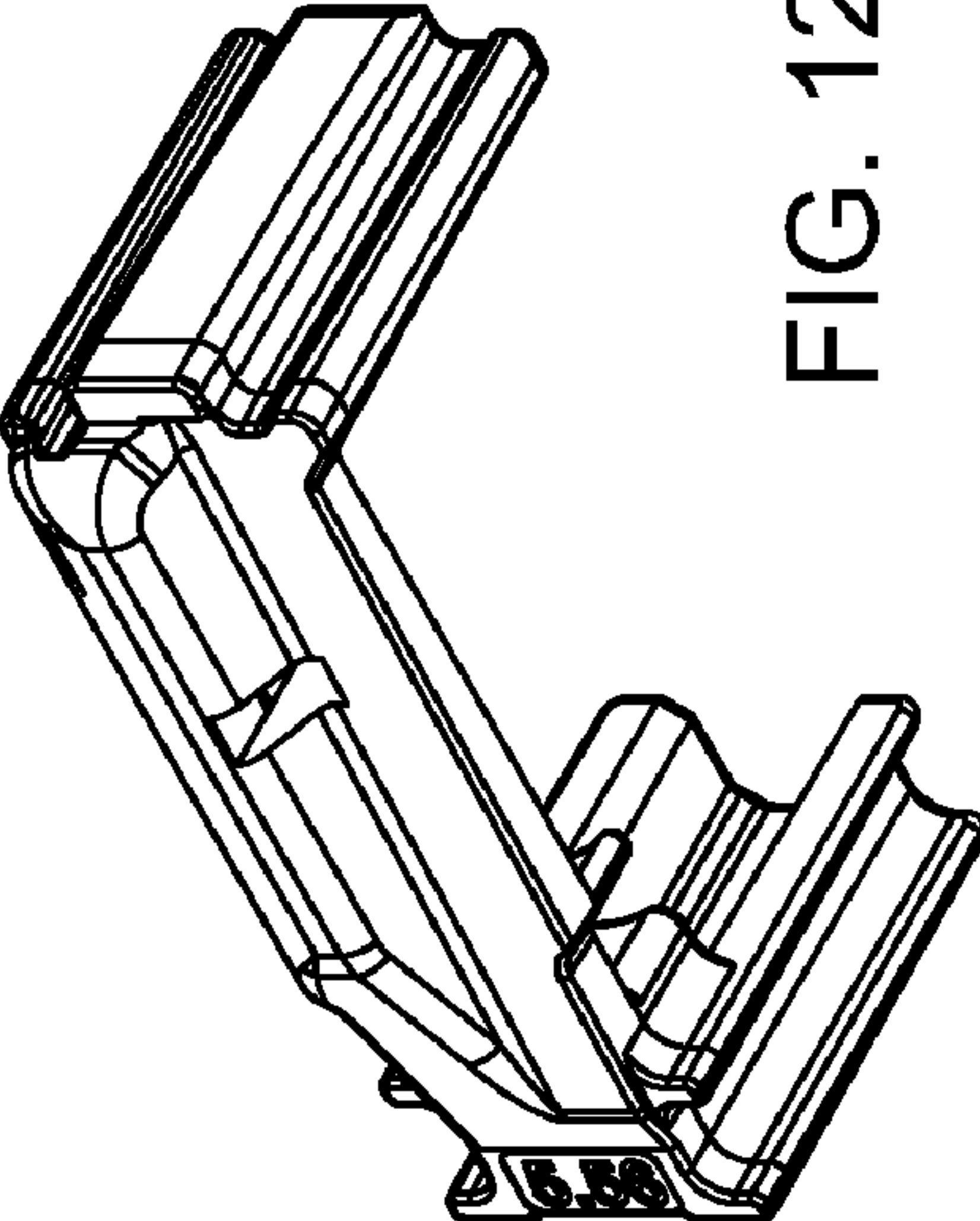


FIG. 12

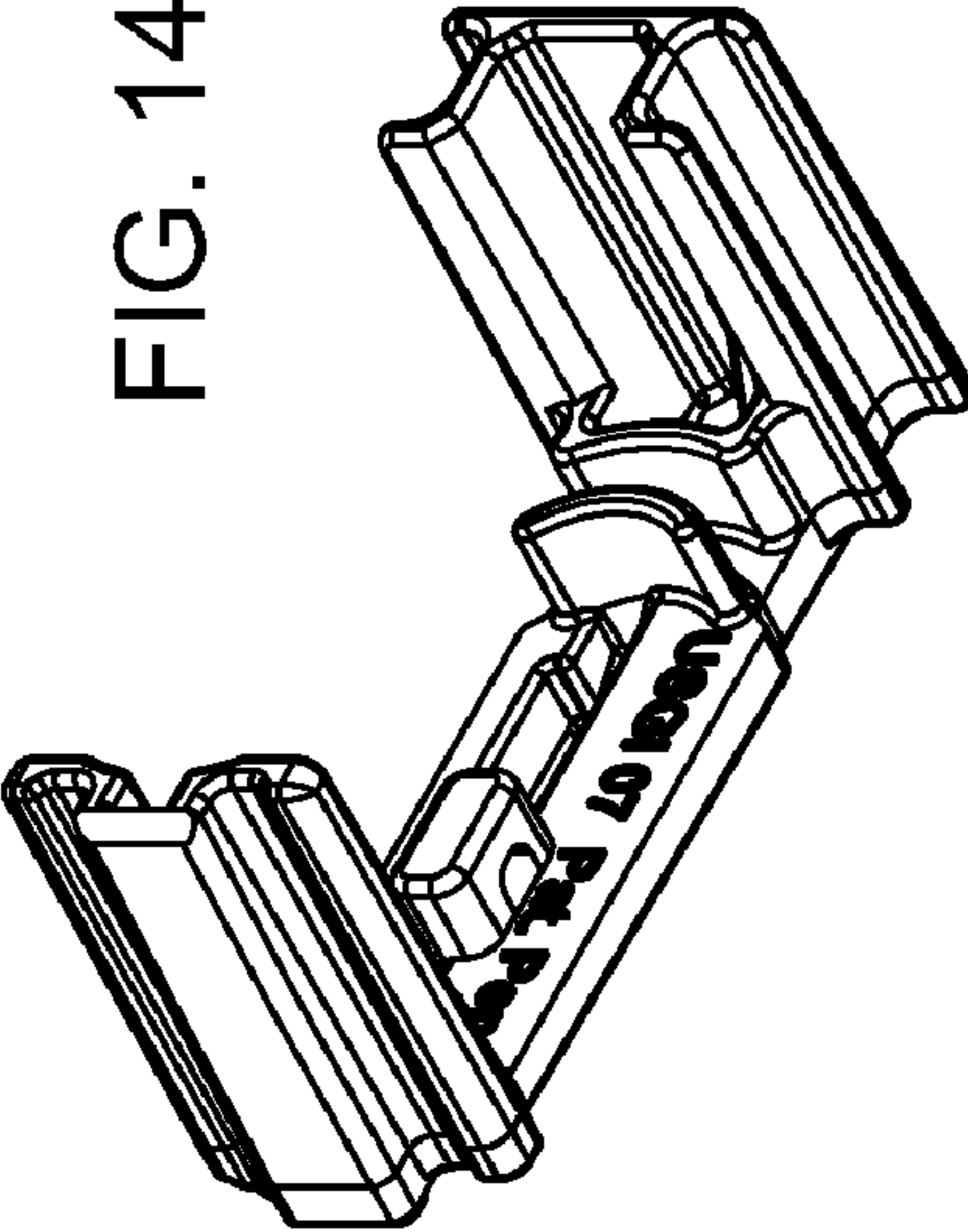


FIG. 14