



US00D615142S

(12) **United States Design Patent**  
**Bentley**

(10) **Patent No.:** **US D615,142 S**

(45) **Date of Patent:** **\*\* May 4, 2010**

(54) **FIREARM FOREND**

(75) Inventor: **James K. Bentley**, Boise, ID (US)

(73) Assignee: **Blackhawk Industries Product Group Unlimited LLC**, Norfolk, VA (US)

(\*\*) Term: **14 Years**

(21) Appl. No.: **29/327,249**

(22) Filed: **Nov. 3, 2008**

(51) **LOC (9) Cl.** ..... **22-01**

(52) **U.S. Cl.** ..... **D22/108**

(58) **Field of Classification Search** ..... D22/100,  
D22/108, 109, 110, 199; 42/11, 113, 116,  
42/119, 124, 125, 127, 90, 145, 128, 72,  
42/106, 114, 85, 75.02, 71.01; 248/205.1,  
248/201

See application file for complete search history.

(56) **References Cited**

**U.S. PATENT DOCUMENTS**

D297,450 S *	8/1988	Florida	.....	D22/108
D300,161 S *	3/1989	Baldus et al.	.....	D22/108
D486,547 S *	2/2004	Faifer	.....	D22/108
D555,224 S *	11/2007	Florea et al.	.....	D22/109

\* cited by examiner

*Primary Examiner*—T. Chase Nelson

*Assistant Examiner*—Michael A Pratt

(74) *Attorney, Agent, or Firm*—Bowman Green Hampton & Kelly, PLLC

(57) **CLAIM**

The ornamental design for a firearm forend, as shown and described.

**DESCRIPTION**

FIG. 1 is a perspective view of the firearm forend of the present invention;

FIG. 2 is a bottom view of the firearm forend of FIG. 1;

FIG. 3 is a top view of the firearm forend of FIG. 1;

FIG. 4 is a right side view of the firearm forend of FIG. 1;

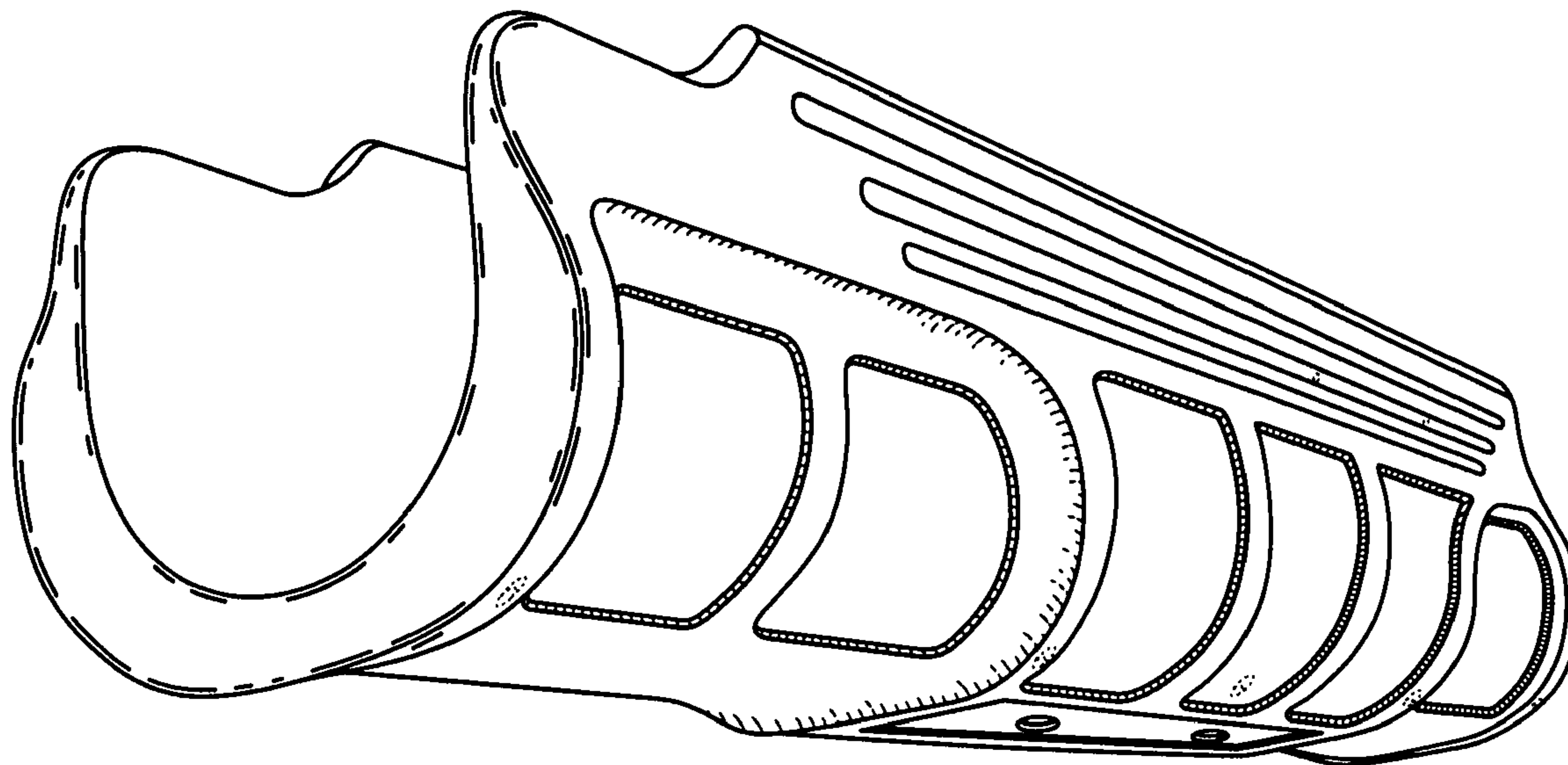
FIG. 5 is a left side view of the firearm forend of FIG. 1;

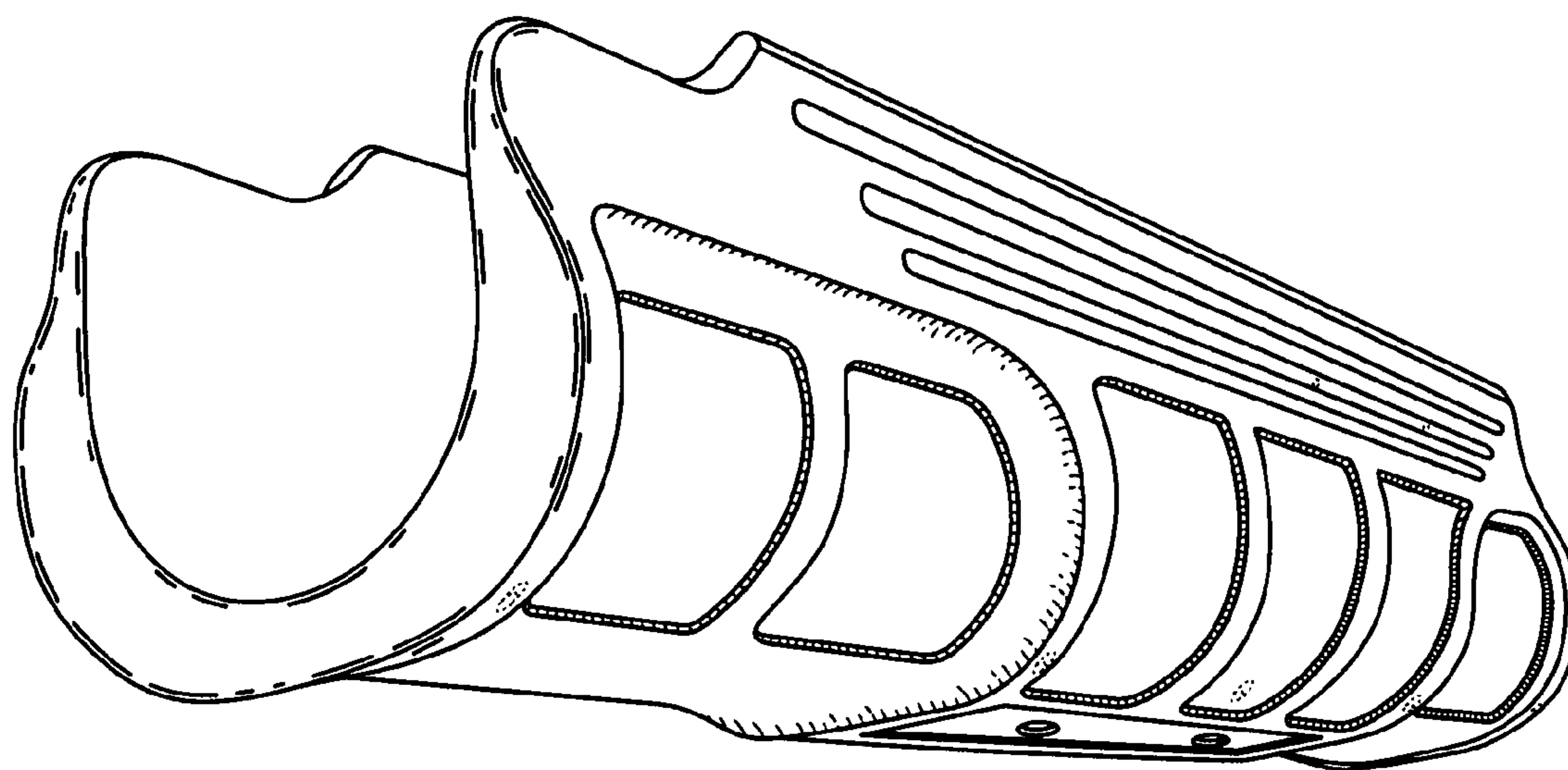
FIG. 6 is a front view of the firearm forend of FIG. 1; and,

FIG. 7 is a back view of the firearm forend of FIG. 1.

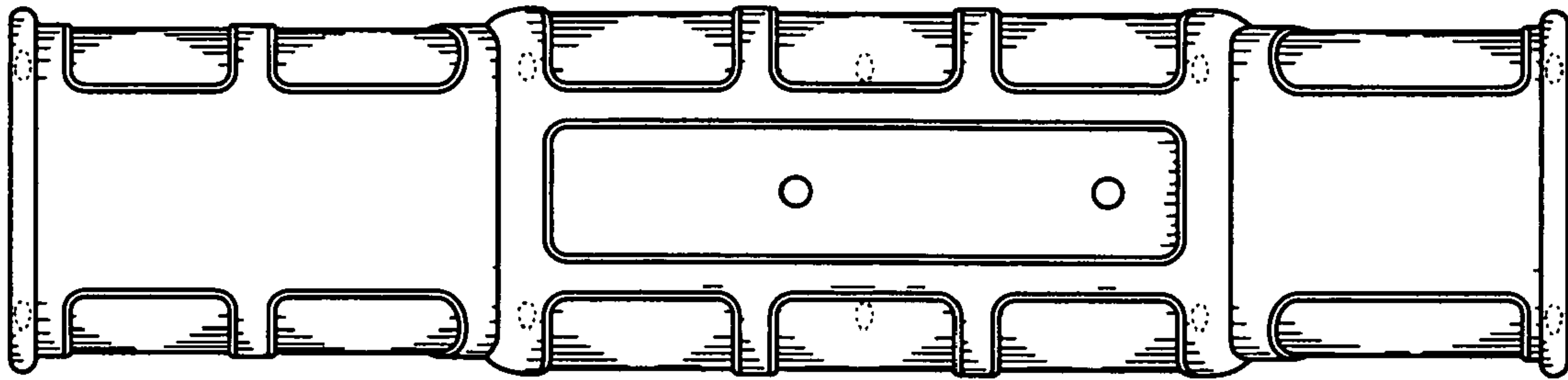
The broken line showing of portions of the firearm forend in FIGS. 3, 6 and 7 is included for the purpose of illustrating environment and forms no part of the claimed design.

**1 Claim, 3 Drawing Sheets**

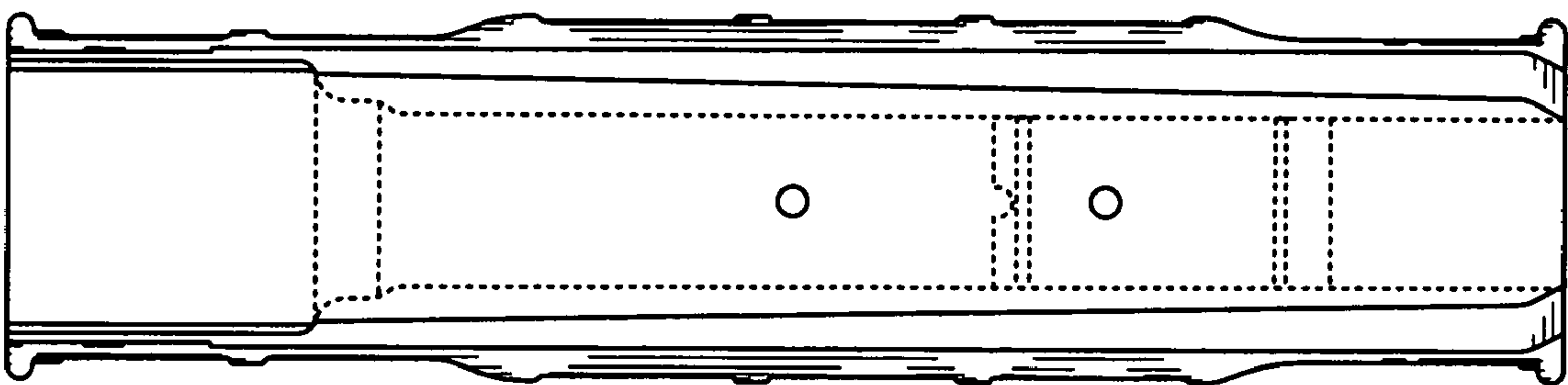




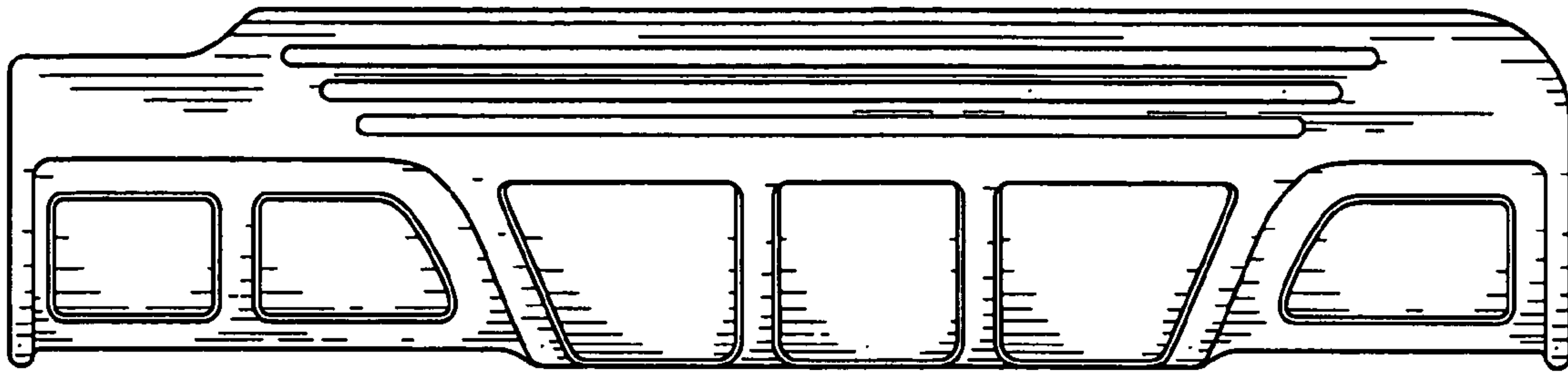
*FIG. 1*



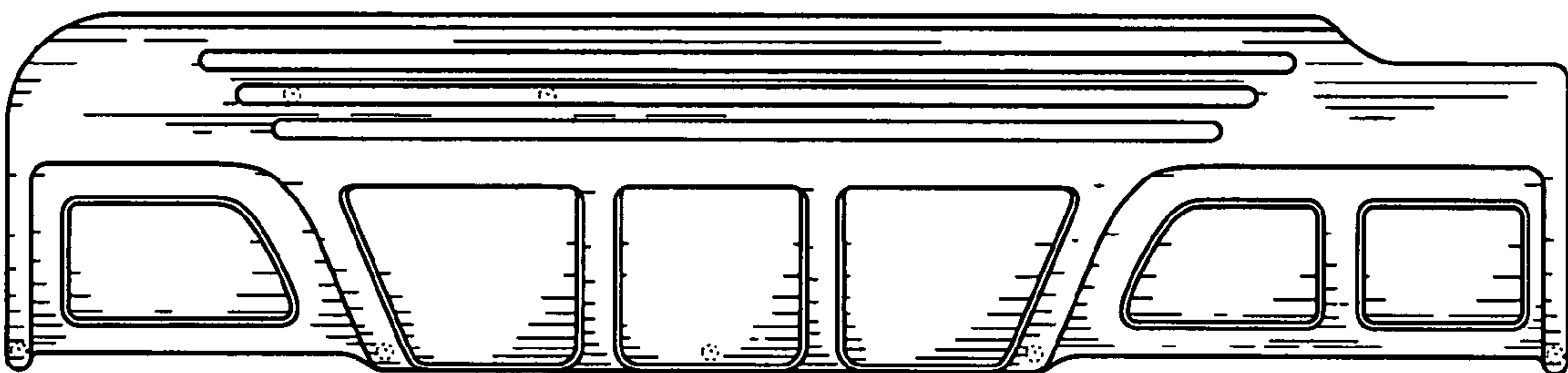
*FIG. 2*



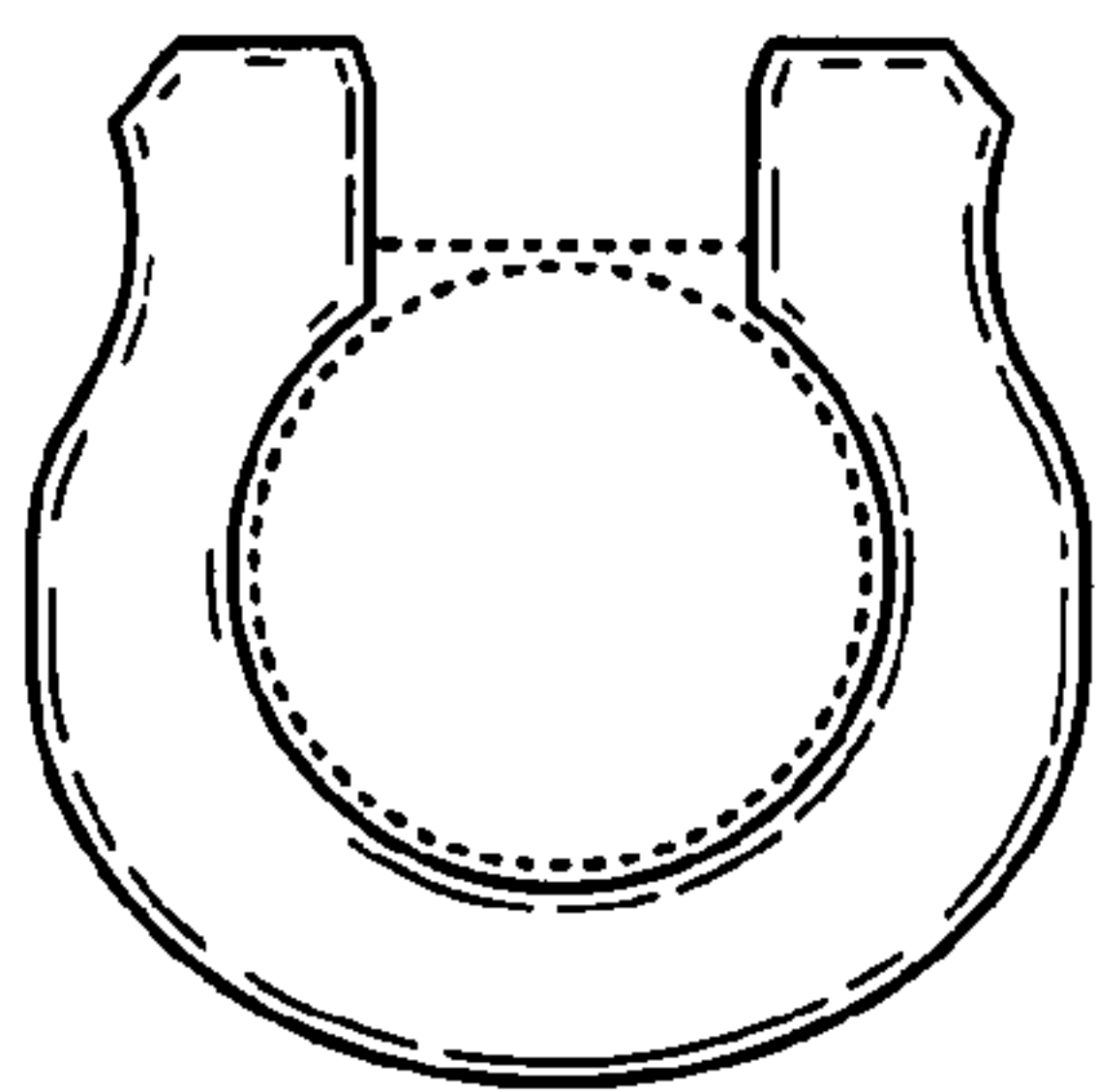
*FIG. 3*



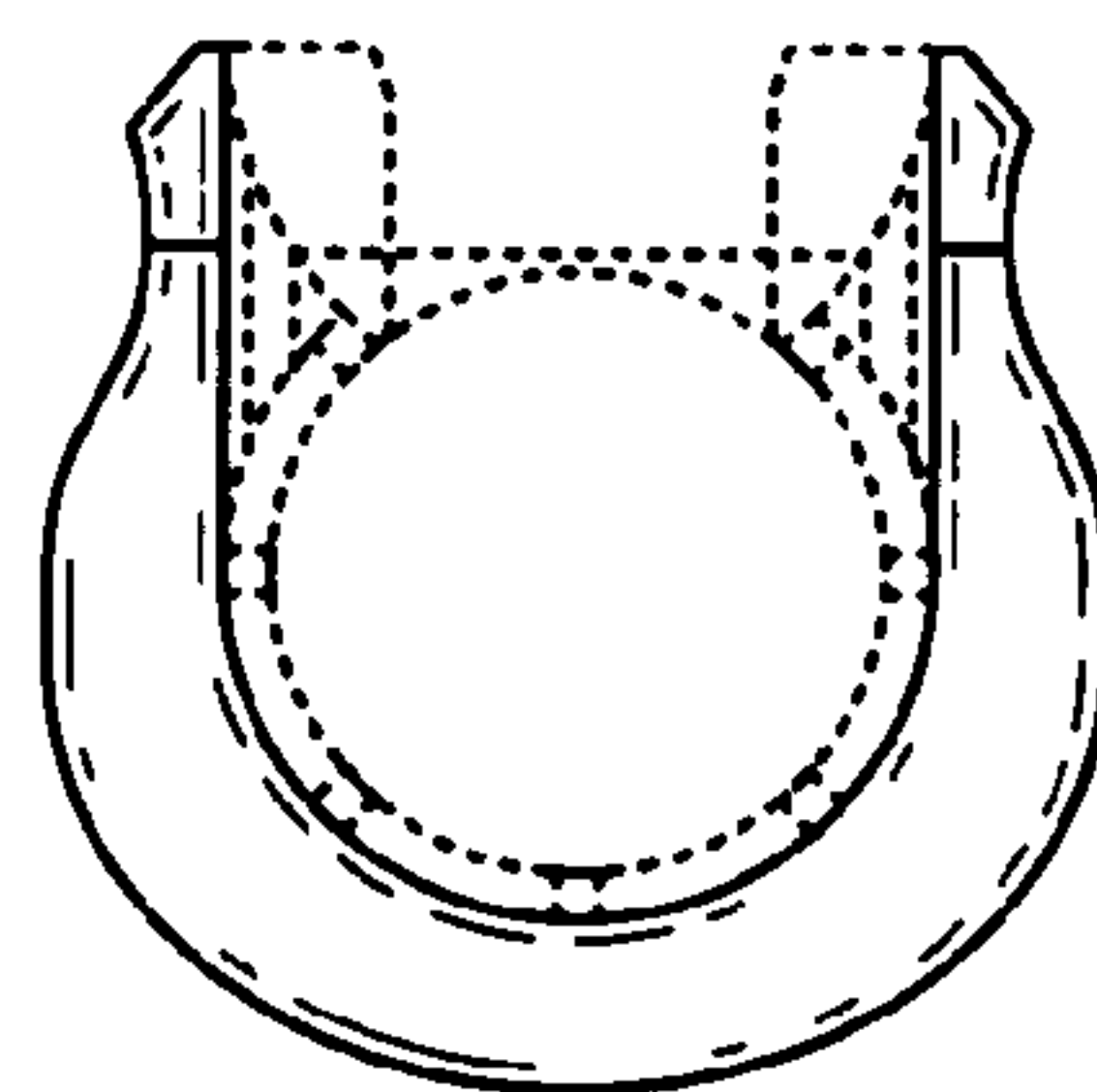
*FIG. 4*



*FIG. 5*



*FIG. 6*



*FIG. 7*