



US00D615140S

(12) **United States Design Patent**
Franklin et al.

(10) **Patent No.:** **US D615,140 S**
(45) **Date of Patent:** **** May 4, 2010**

(54) **GOLF CLUB HEAD FOR A PUTTER WITH RED PATTERN**

(75) Inventors: **David N. Franklin**, Granbury, TX (US);
John T. Stites, Weatherford, TX (US)

(73) Assignee: **NIKE, Inc.**, Beaverton, OR (US)

(**) Term: **14 Years**

(21) Appl. No.: **29/341,462**

(22) Filed: **Aug. 5, 2009**

(51) **LOC (9) Cl.** **21-02**

(52) **U.S. Cl.** **D21/759**

(58) **Field of Classification Search** D21/736-746,
D21/759; 473/324-331, 340-341, 251-256
See application file for complete search history.

(56) **References Cited**

U.S. PATENT DOCUMENTS

5,324,031	A	6/1994	Green	
5,643,100	A	7/1997	Zabytko et al.	
D411,867	S	7/1999	Cameron et al.	
D437,374	S	2/2001	Cameron	
6,342,018	B1	1/2002	Mason	
6,860,822	B2	3/2005	Vrska, Jr.	
6,960,140	B2	11/2005	Solheim et al.	
D570,934	S *	6/2008	Ban et al.	D21/744
D572,786	S *	7/2008	Ban et al.	D21/759
D588,222	S *	3/2009	Takahashi	D21/759
D588,666	S *	3/2009	Takahashi	D21/759
D589,107	S *	3/2009	Oldknow	D21/759
2007/0243949	A1	10/2007	Solari	
2009/0131197	A1	5/2009	Miyamichi	

OTHER PUBLICATIONS

Odyssey Dual Force 2 #5 Putter, Edwin Watts web site, date unknown but prior to filing of the present application; <http://www.edwinwattsgolf.com/wcsstore/EdwinWatts/images/product/3948-3.jpg>.

edwinwattsgolf.com/wcsstore/EdwinWatts/images/product/3948-3.jpg.

Yes Golf Callie Forged Putter, Edwin Watts web site, date unknown but prior to filing of the present application; <http://www.edwinwattsgolf.com/wcsstore/EdwinWatts/images/product/10990-3.jpg>.

Hybrid Blade Putter from Rife Putters, date unknown but prior to the filing of the present application; <http://rifeputters.com/products/hybrid/20/two-bar-hybrid-blade/>.

Pure Red 2 Putter by Benross, 2009.

Agsi Putter, TaylorMade, 2005.

* cited by examiner

Primary Examiner—Mitchell I Siegel

(74) *Attorney, Agent, or Firm*—Banner & Witcoff, Ltd.

(57) **CLAIM**

The ornamental design for a golf club head for a putter with red pattern, as shown and described.

DESCRIPTION

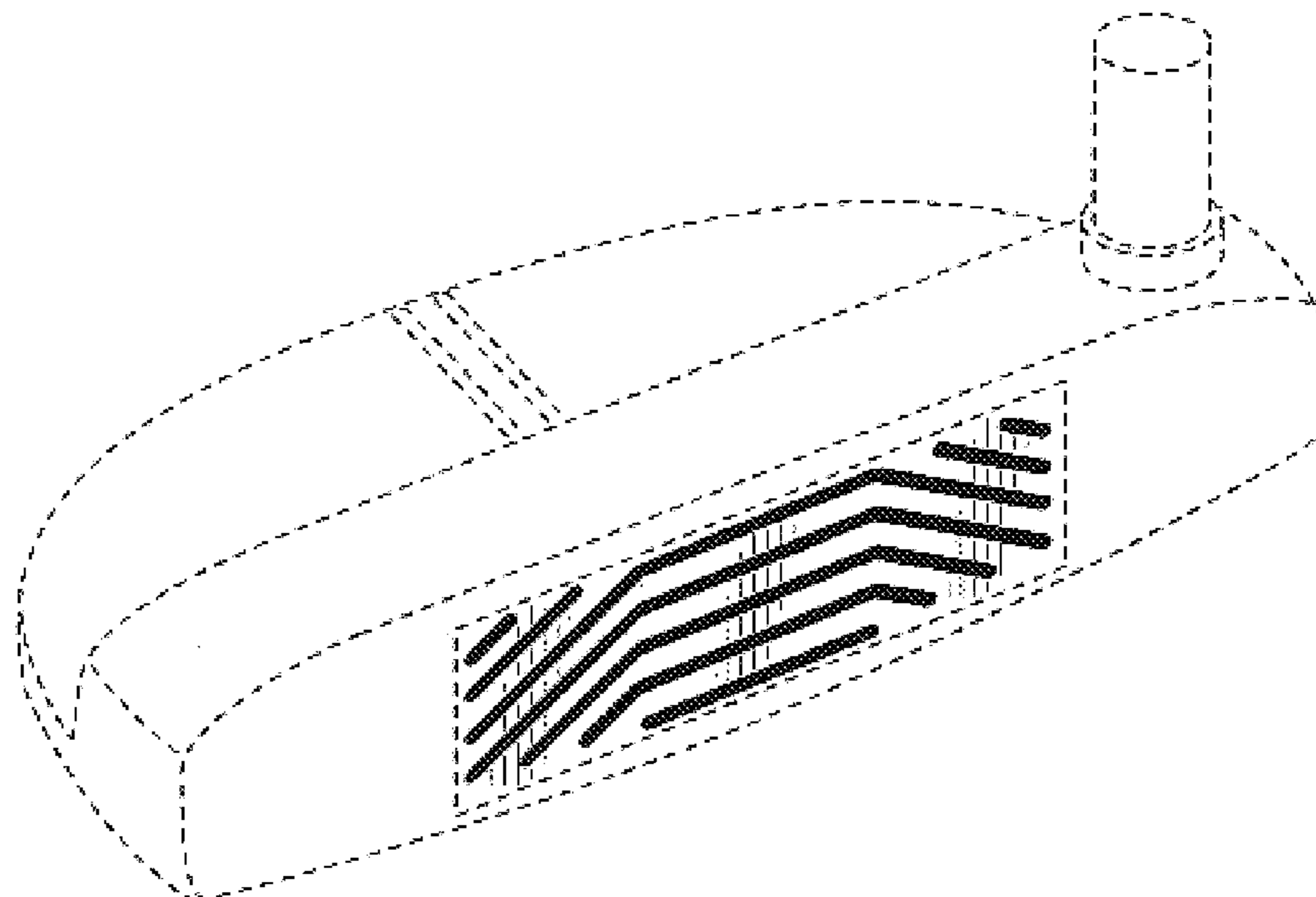
The file of this patent contains at least one drawing executed in color. Copies of this patent with color drawings will be provided by the Office upon request and payment of the necessary fee

FIG. 1 is a front view of a golf club head for a putter with red pattern showing our new design; and,

FIG. 2 is a top perspective view thereof.

The pattern shown in FIG. 1 is colored red. The broken line showing that is immediately adjacent to the shaded area represents an unclaimed boundary and forms no part of the claimed design. The broken line showing of the remainder of the golf club head for a putter is for illustrative purposes only and forms no part of the claimed design.

1 Claim, 1 Drawing Sheet
(1 of 1 Drawing Sheet(s) Filed in Color)



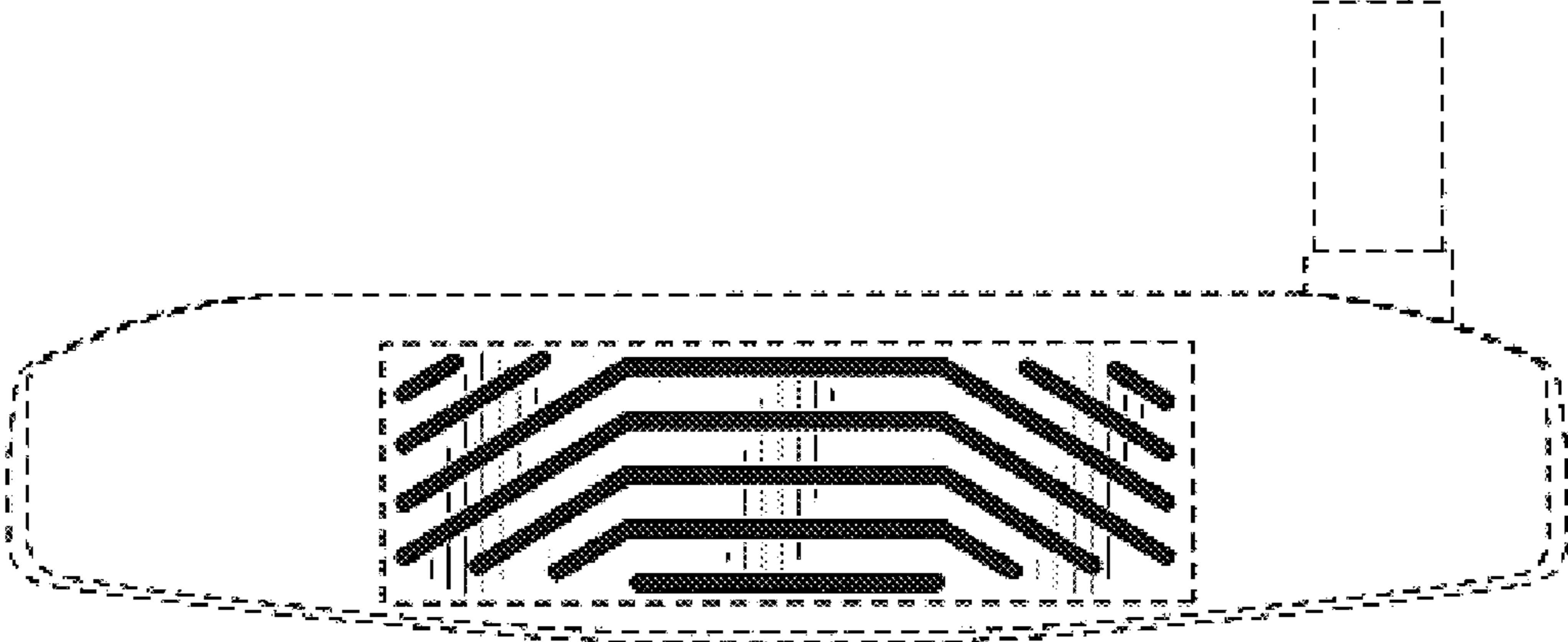


FIG. 1

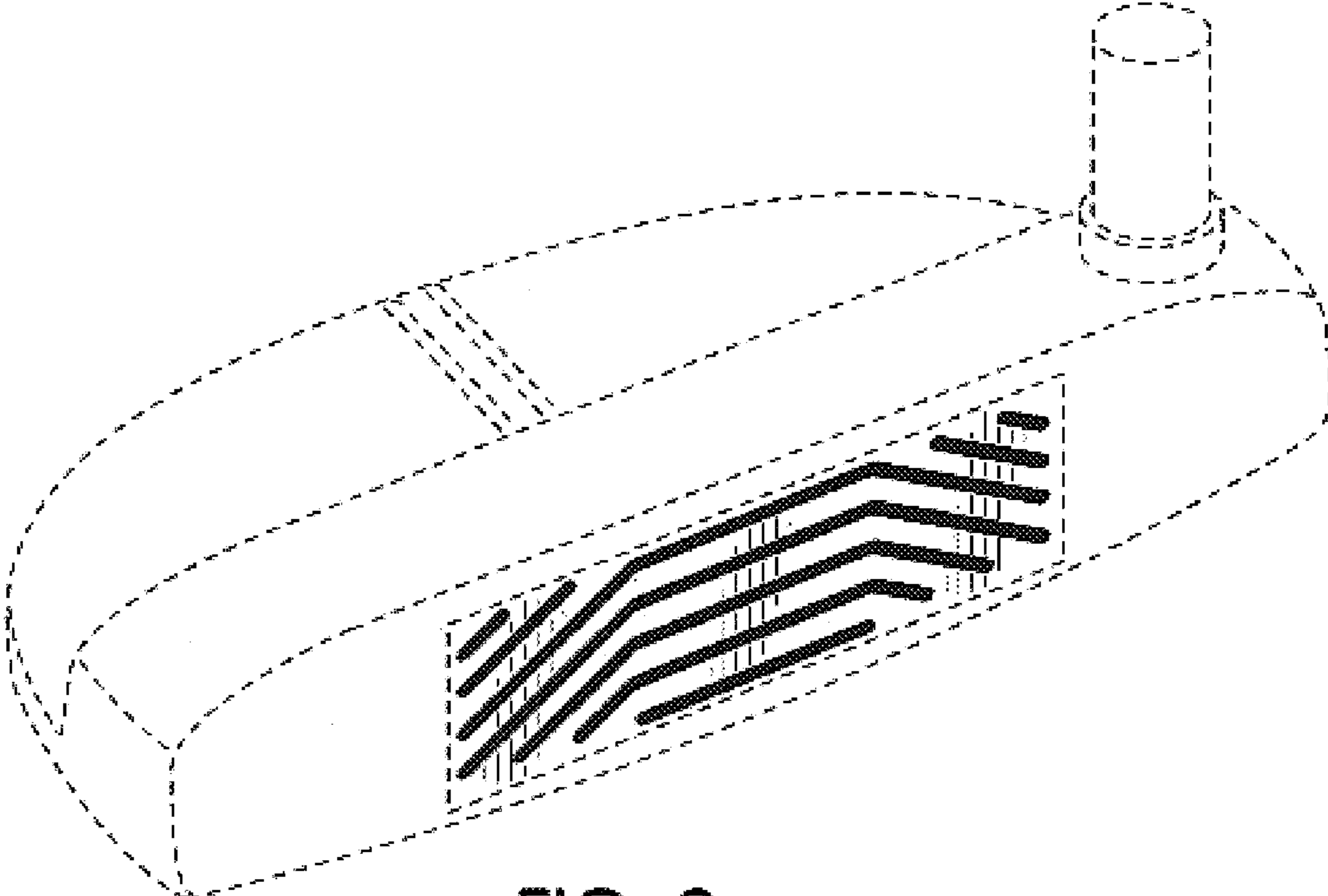


FIG. 2