



US00D615136S

(12) **United States Design Patent**  
**Jenkins et al.**

(10) **Patent No.:** **US D615,136 S**

(45) **Date of Patent:** **\*\* May 4, 2010**

(54) **STATIONARY SPIN CYCLE**

D560,560 S \* 1/2008 Dacsev ..... D12/107  
7,537,228 B2 \* 5/2009 Shimizu et al. .... 280/205

(75) Inventors: **Brian Bragg Jenkins**, Davidson, NC  
(US); **Alexander Lawrence Georg**,  
Huntersville, NC (US)

\* cited by examiner

*Primary Examiner*—Philip S Hyder

(73) Assignee: **Playpower, Inc.**, Huntersville, NC (US)

(74) *Attorney, Agent, or Firm*—Polster, Lieder, Woodruff &  
Lucchesi, L.C.

(\*\*) Term: **14 Years**

(57) **CLAIM**

(21) Appl. No.: **29/326,141**

The ornamental design for stationary spin cycle, as shown and  
described.

(22) Filed: **Oct. 13, 2008**

(51) **LOC (9) Cl.** ..... **21-02**

**DESCRIPTION**

(52) **U.S. Cl.** ..... **D21/663**; D21/662; D21/694

FIG. 1 is a perspective view of a stationary spin cycle of the  
present design;

(58) **Field of Classification Search** ..... D21/662,  
D21/663, 664, 665, 666, 667, 668, 670, 697,  
D21/814, 826, 828; D12/107; 482/57, 61;  
280/205

FIG. 2 is a right side elevational view thereof;

FIG. 3 is a left side elevational view thereof;

See application file for complete search history.

FIG. 4 is a front elevational view thereof;

FIG. 5 is a rear elevational view thereof;

(56) **References Cited**

**U.S. PATENT DOCUMENTS**

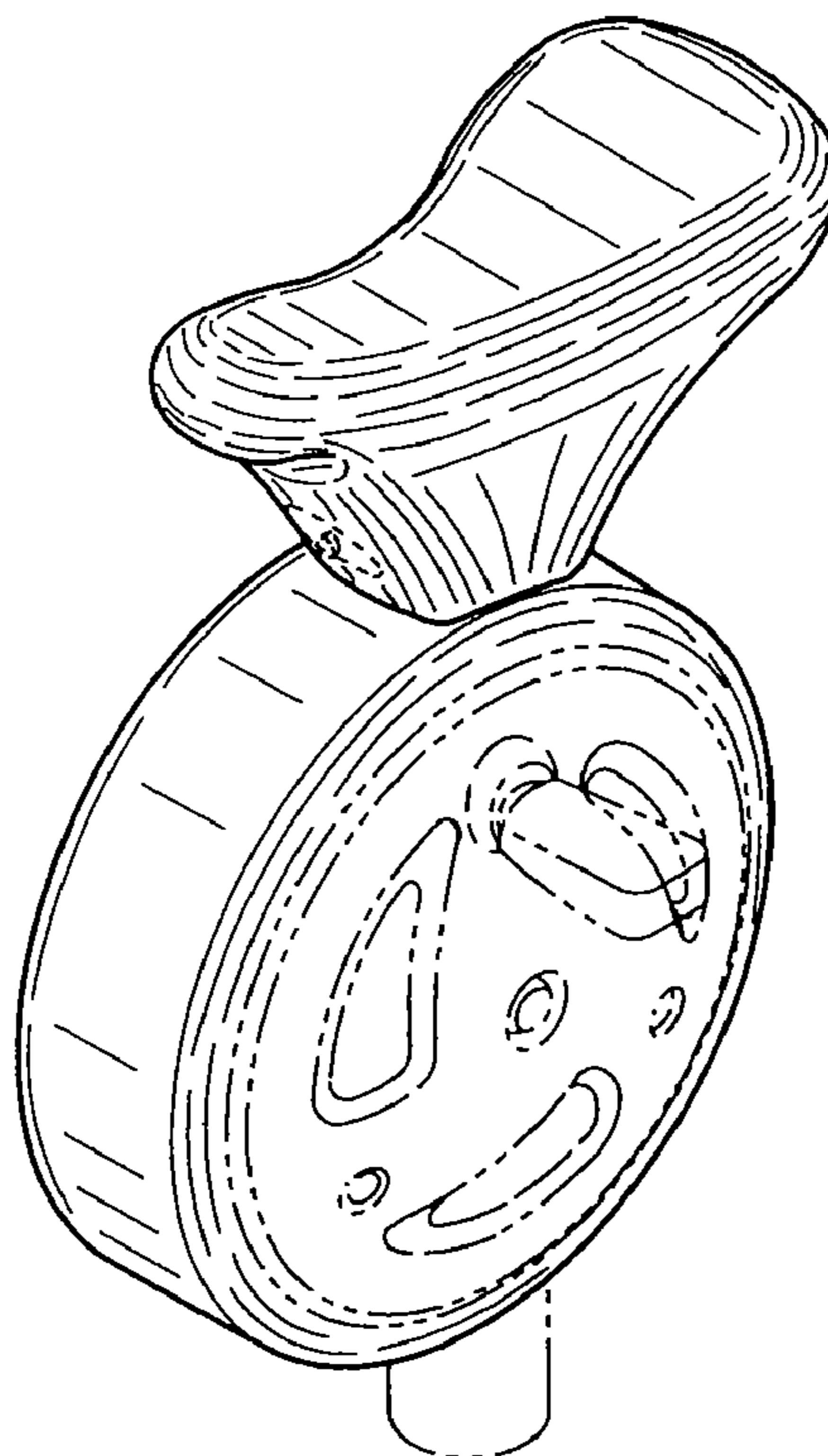
- 3,083,036 A \* 3/1963 Cornell, III et al. .... 280/205
- 4,324,413 A \* 4/1982 Bensette et al. .... 280/205
- D289,985 S \* 5/1987 Davenport ..... D12/107
- 5,002,295 A \* 3/1991 Lin ..... 280/205
- D324,252 S \* 2/1992 Williamson ..... D21/763
- 5,326,118 A \* 7/1994 DeRosa ..... 280/205
- 5,509,831 A \* 4/1996 Gelbart ..... 440/27
- 5,868,413 A \* 2/1999 Cabrera ..... 280/205

FIG. 6 is a top plan view thereof; and,

FIG. 7 is a bottom plan view thereof.

The broken lines in FIGS. 1–7 illustrate unclaimed portions  
of the design. The broken lines showings of the pedals and the  
cylindrical member at the base of the design are provided  
purposes of environment and form no part of the claimed  
design.

**1 Claim, 2 Drawing Sheets**



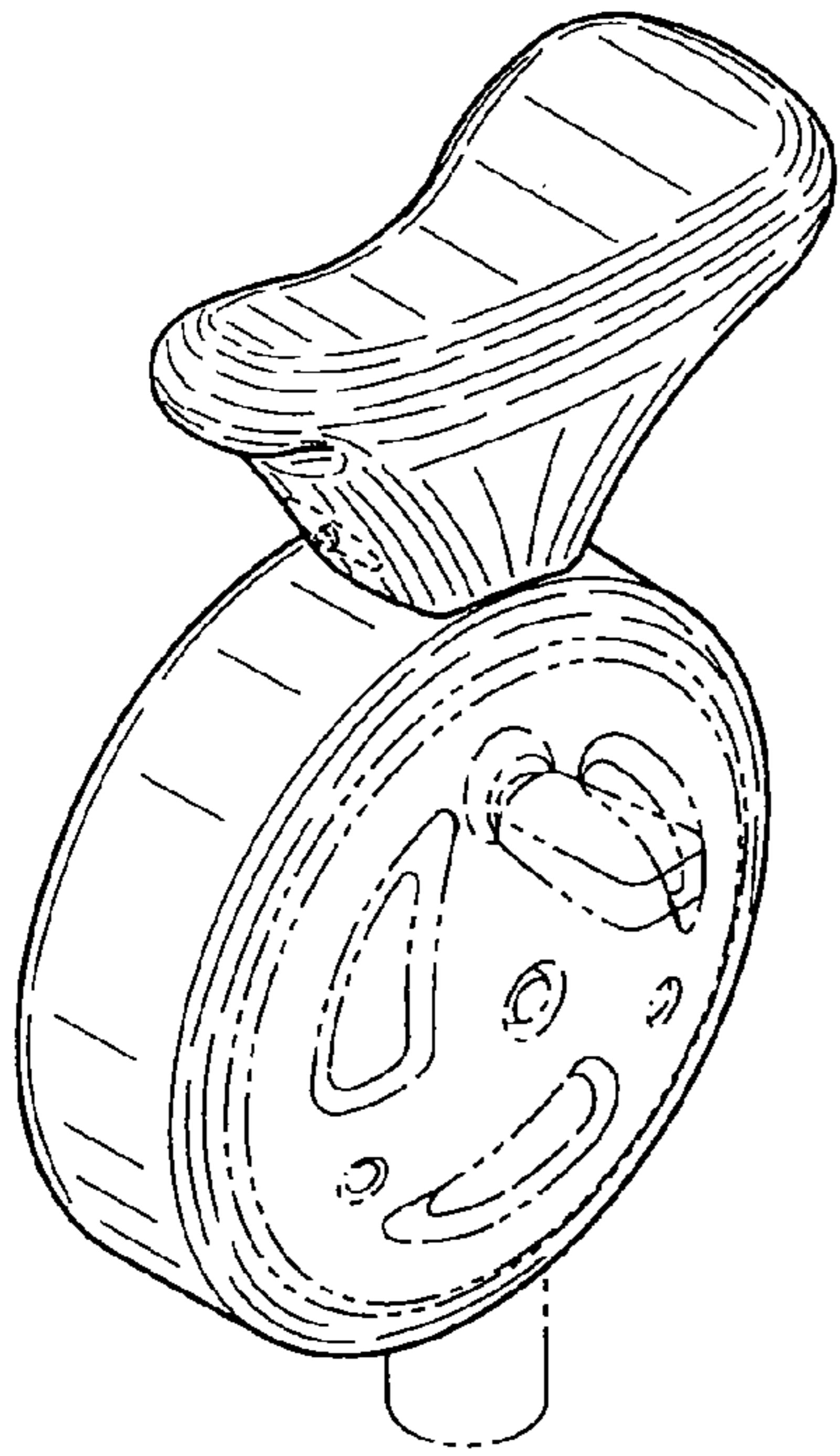


FIG. 1

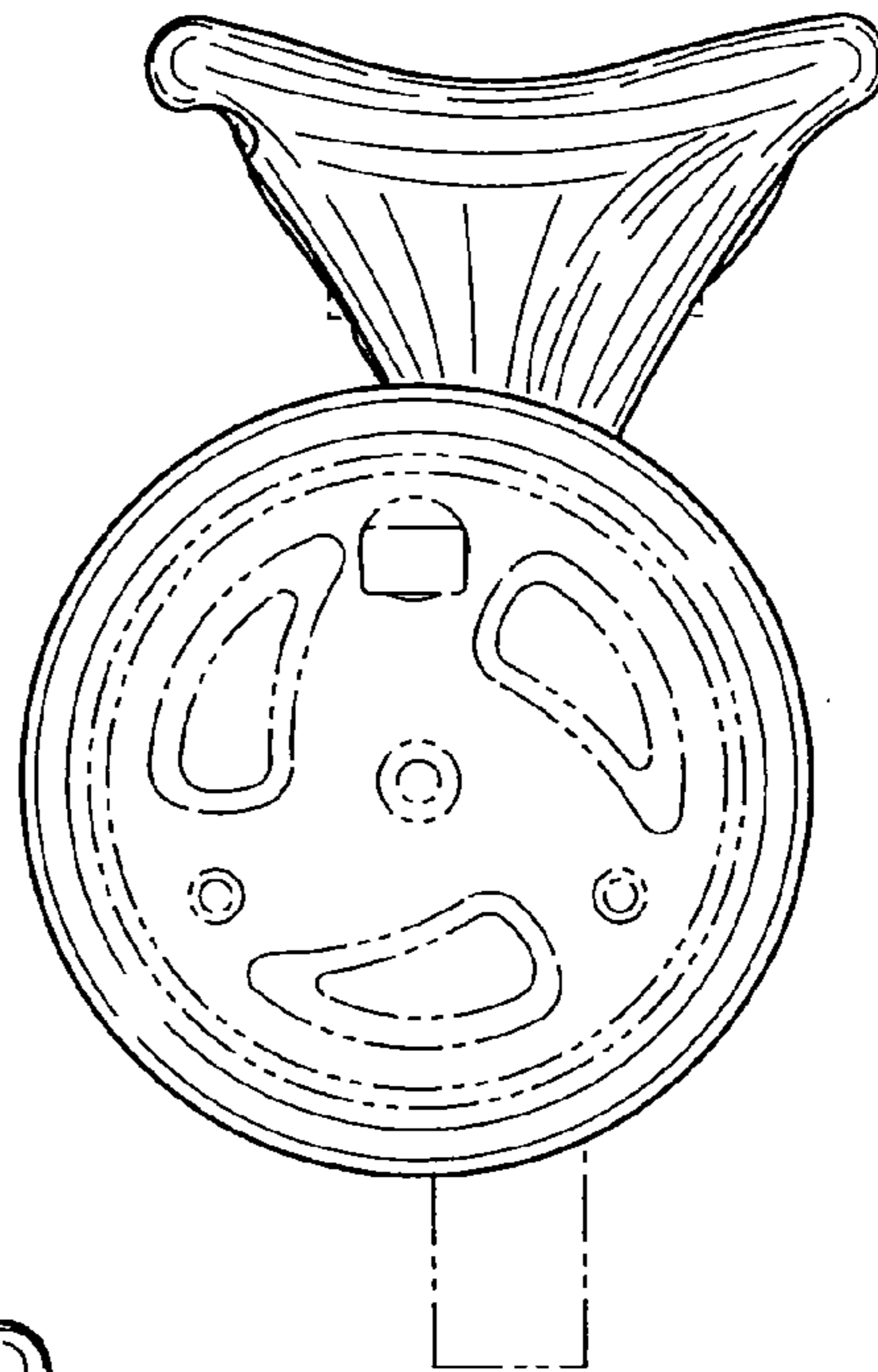


FIG. 2



FIG. 3

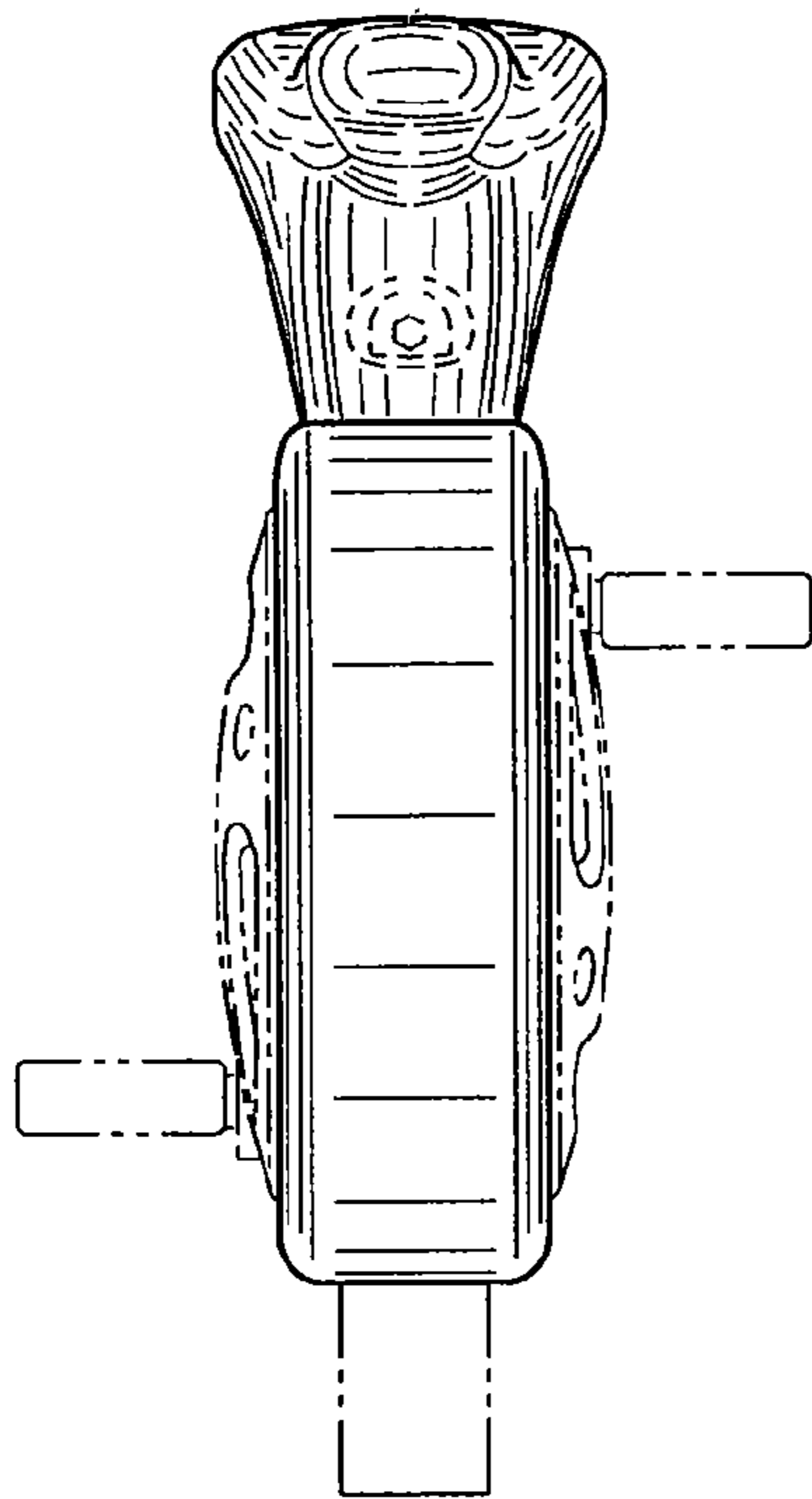


FIG. 4

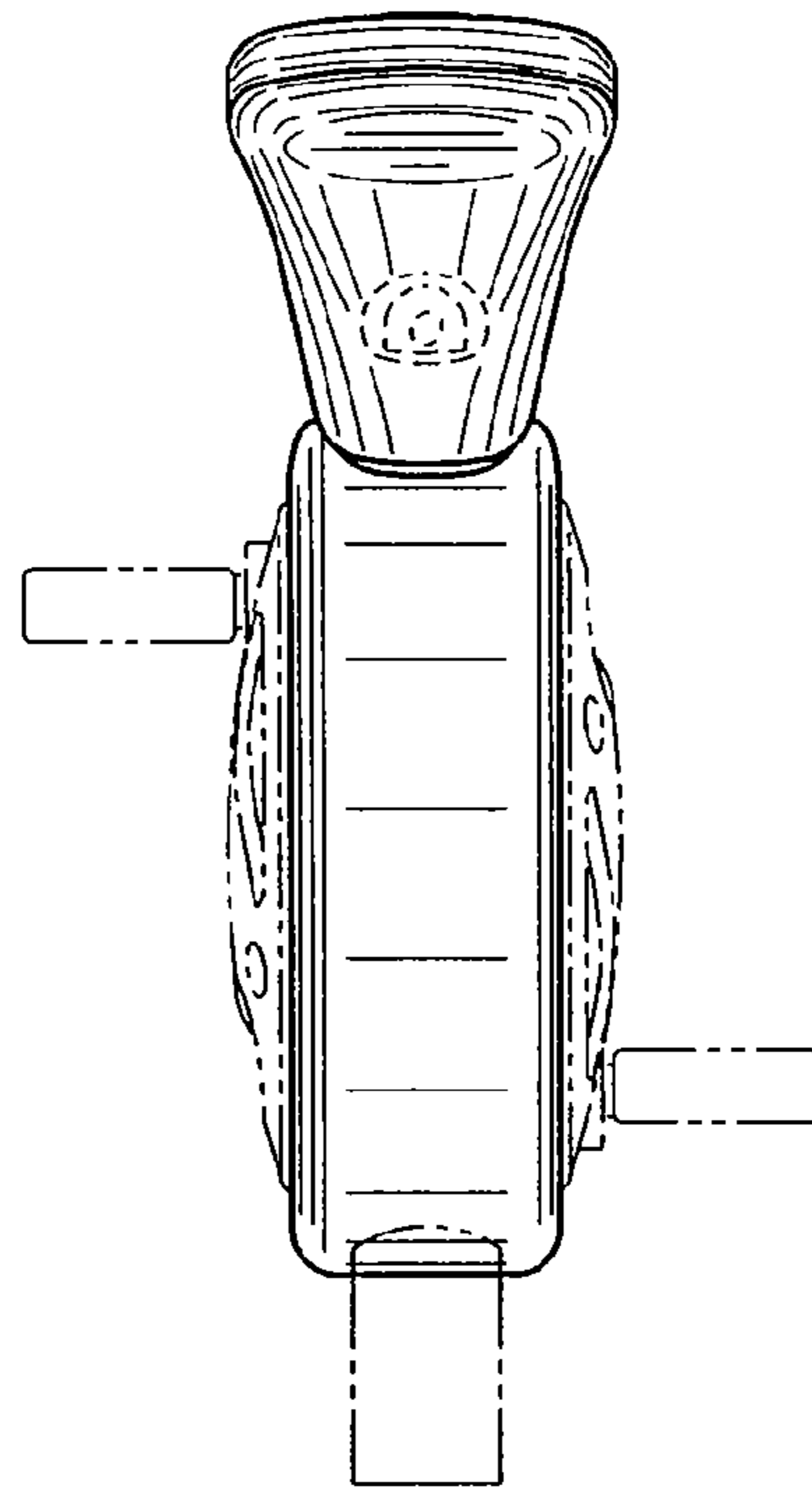


FIG. 5

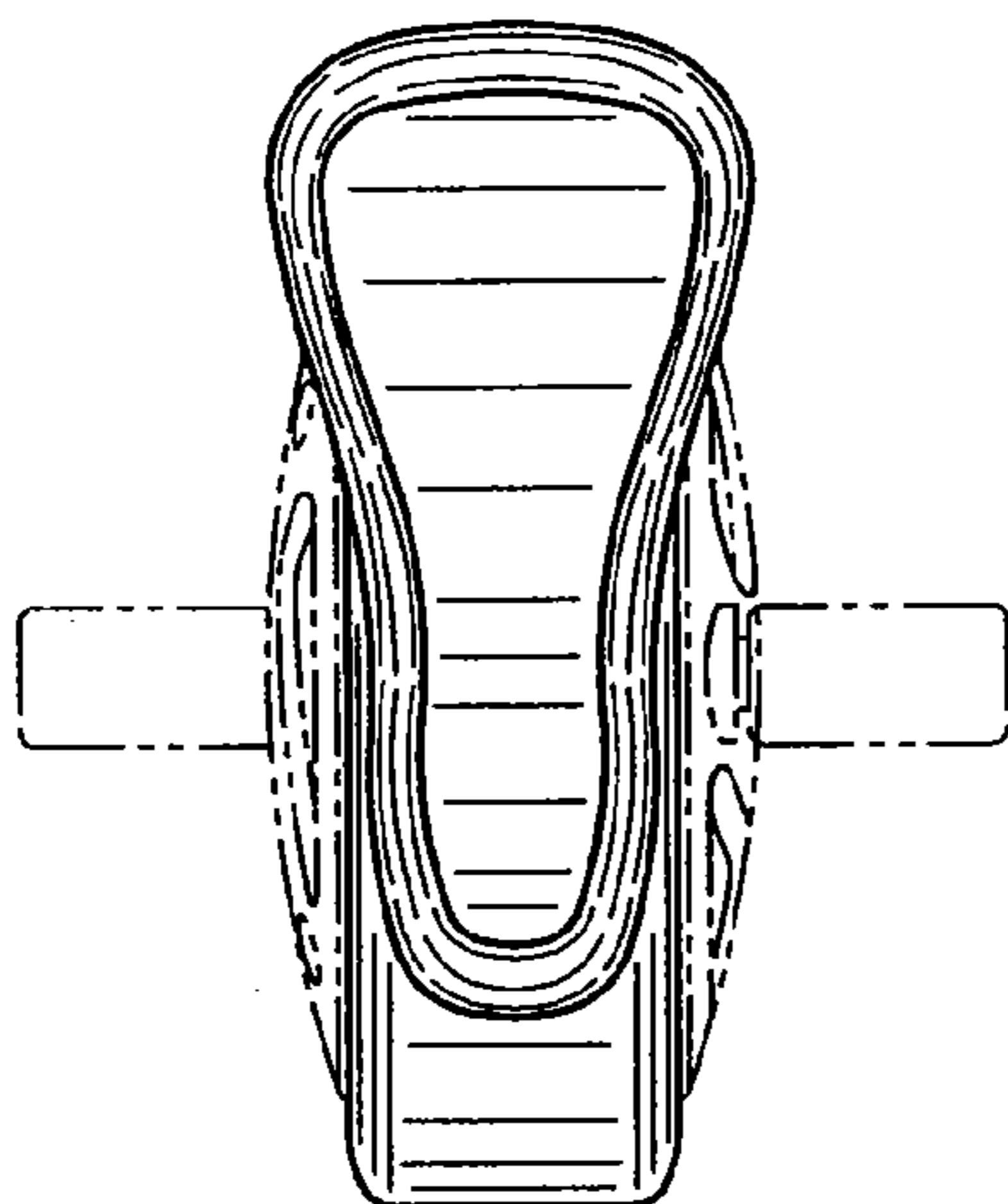


FIG. 6

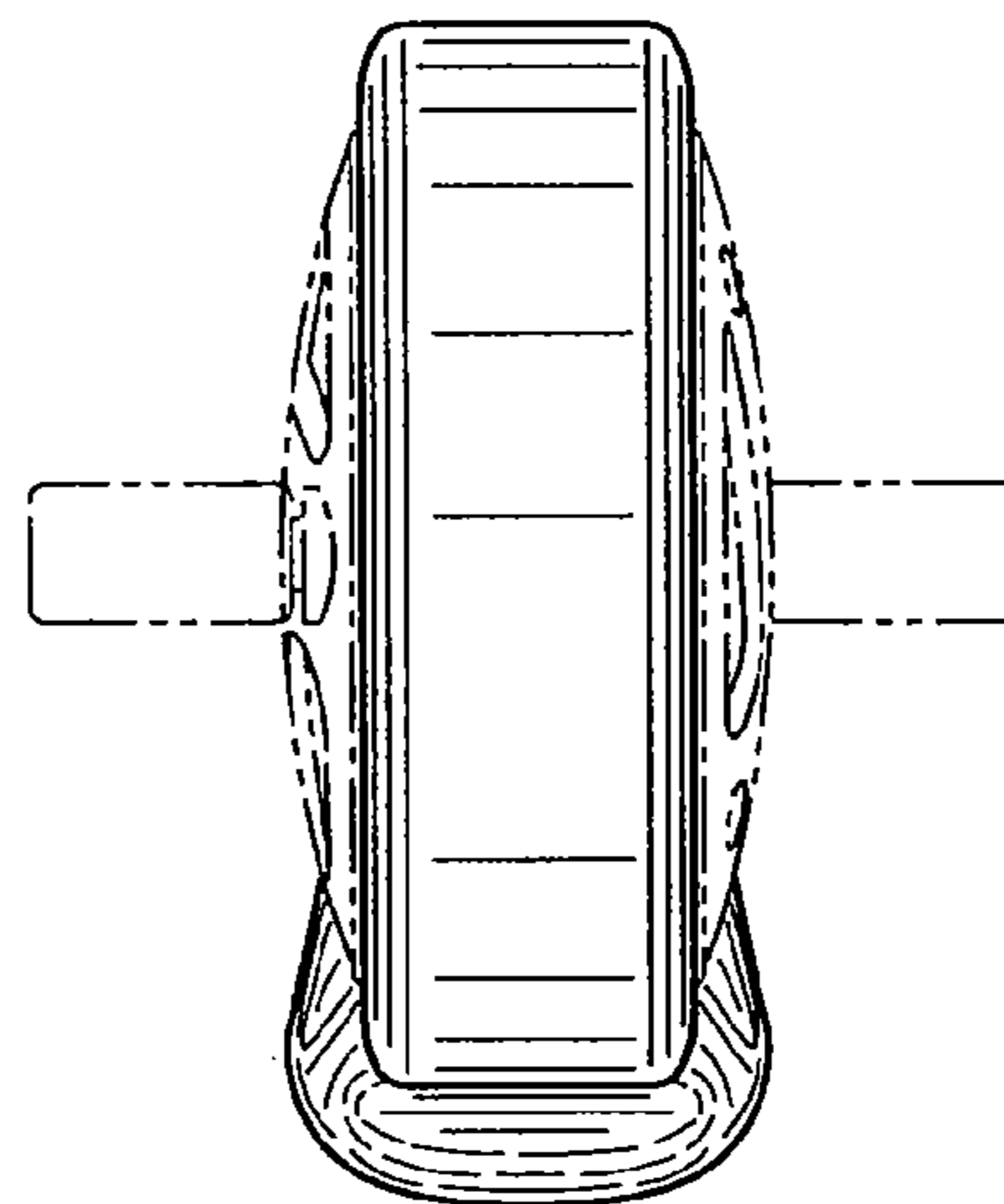


FIG. 7