



US00D615135S

(12) **United States Design Patent**
Thorsen

(10) **Patent No.:** **US D615,135 S**

(45) **Date of Patent:** **** May 4, 2010**

(54) **ELEMENT FOR A TOY BUILDING SET**

(75) Inventor: **Gitte Thorsen**, Billund (DK)

(73) Assignee: **LEGO A/S**, Billund (DK)

(**) Term: **14 Years**

(21) Appl. No.: **29/315,118**

(22) Filed: **May 27, 2009**

(30) **Foreign Application Priority Data**

Nov. 28, 2008 (EM) 001050645

(51) **LOC (9) Cl.** **21-01**

(52) **U.S. Cl.** **D21/487**

(58) **Field of Classification Search** D21/484–505;
D25/113–118; 273/153, 156; 446/69, 85,
446/102–128; 434/259; D8/382, 397
See application file for complete search history.

(56) **References Cited**

U.S. PATENT DOCUMENTS

| | | | | | | |
|-----------|---|---|---------|-----------|-------|---------|
| D276,830 | S | * | 12/1984 | Petersson | | D21/487 |
| D281,440 | S | * | 11/1985 | Petersson | | D21/487 |
| D315,181 | S | * | 3/1991 | Meyer | | D21/487 |
| 5,180,323 | A | * | 1/1993 | Justice | | 446/120 |
| 5,238,438 | A | * | 8/1993 | Glickman | | 446/126 |
| D347,665 | S | * | 6/1994 | Hatting | | D21/487 |
| D356,025 | S | * | 3/1995 | Kuwata | | D8/382 |
| 5,531,625 | A | * | 7/1996 | Zhong | | 446/120 |

| | | | | | | |
|-----------|---|---|---------|---------------|-------|---------|
| D373,153 | S | * | 8/1996 | Madsen | | D21/487 |
| D384,987 | S | * | 10/1997 | Schmidt | | D21/503 |
| 5,681,201 | A | * | 10/1997 | Choi | | 446/105 |
| D387,399 | S | * | 12/1997 | Schmidt | | D21/487 |
| D394,681 | S | * | 5/1998 | Pagel | | D21/495 |
| D397,168 | S | * | 8/1998 | Poissant | | D21/484 |
| D398,338 | S | * | 9/1998 | Yoon | | D21/484 |
| D409,677 | S | * | 5/1999 | Jensen | | D21/487 |
| D410,706 | S | * | 6/1999 | Toft | | D21/487 |
| D484,036 | S | * | 12/2003 | Koch | | D8/397 |
| D583,880 | S | * | 12/2008 | Slater et al. | | D21/487 |

* cited by examiner

Primary Examiner—Philip S Hyder

Assistant Examiner—Cynthia M Chin

(74) *Attorney, Agent, or Firm*—Day Pitney LLP

(57) **CLAIM**

The ornamental design for an element for a toy building set, as shown and described.

DESCRIPTION

FIG. 1 is a top perspective view of my design for an element for a toy building set;

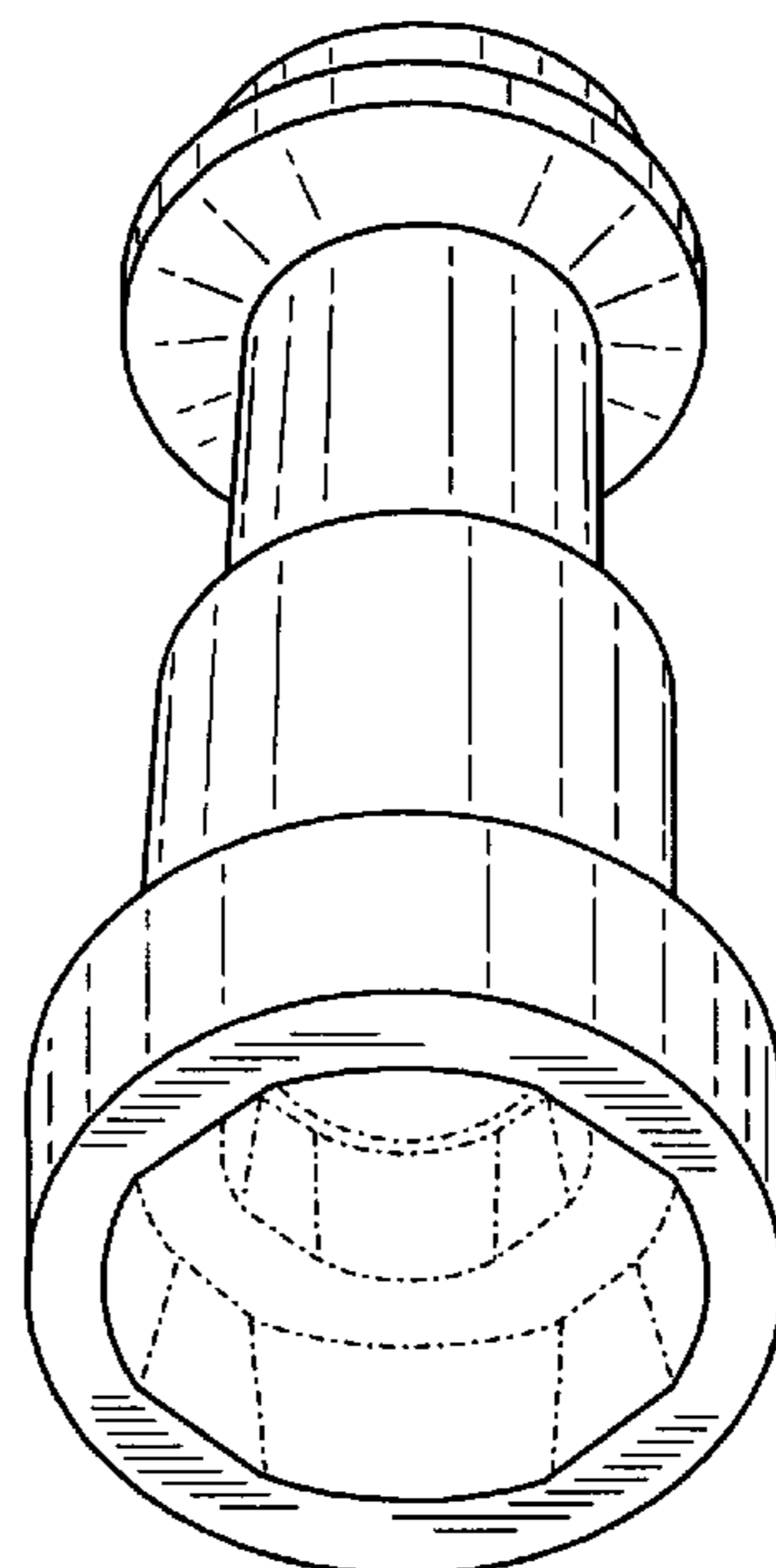
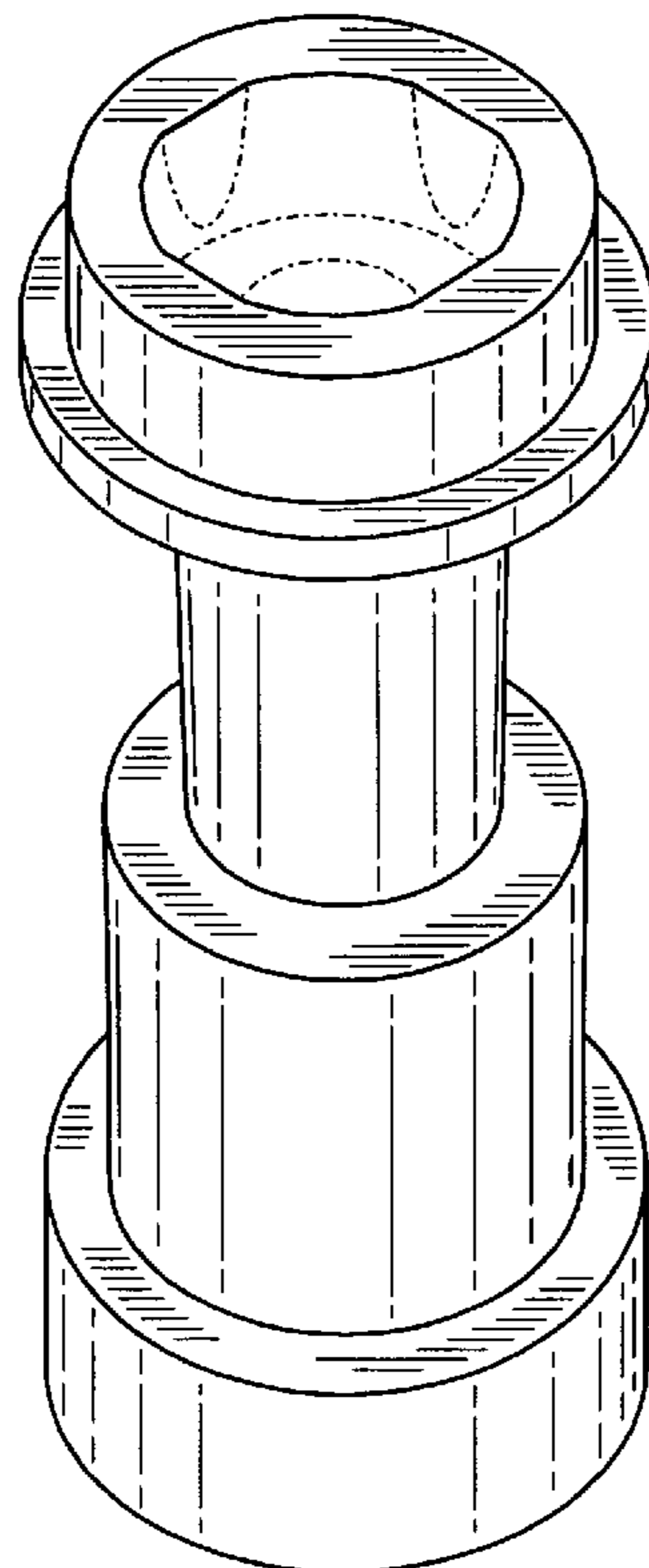
FIG. 2 is a bottom perspective view thereof;

FIG. 3 is a side view thereof;

FIG. 4 is a top plan view thereof; and,

FIG. 5 is a bottom plan view thereof.

1 Claim, 4 Drawing Sheets



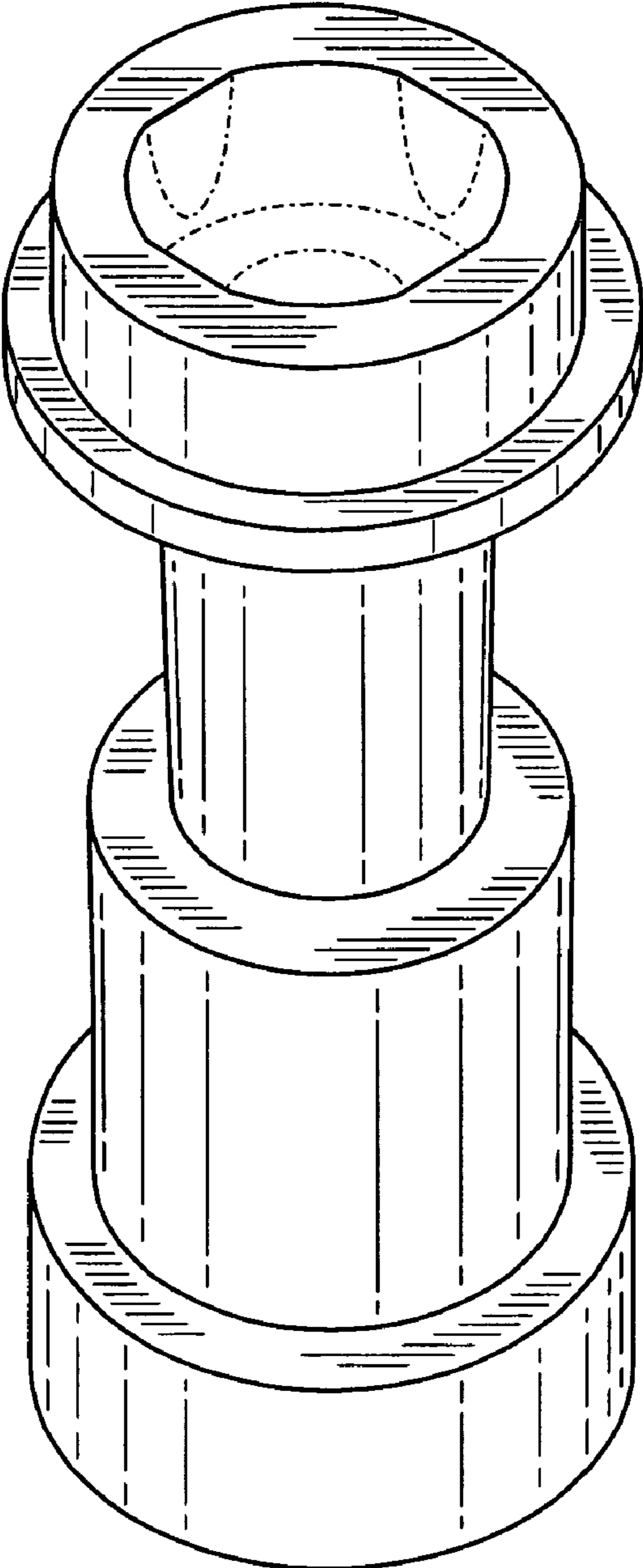


FIG. 1

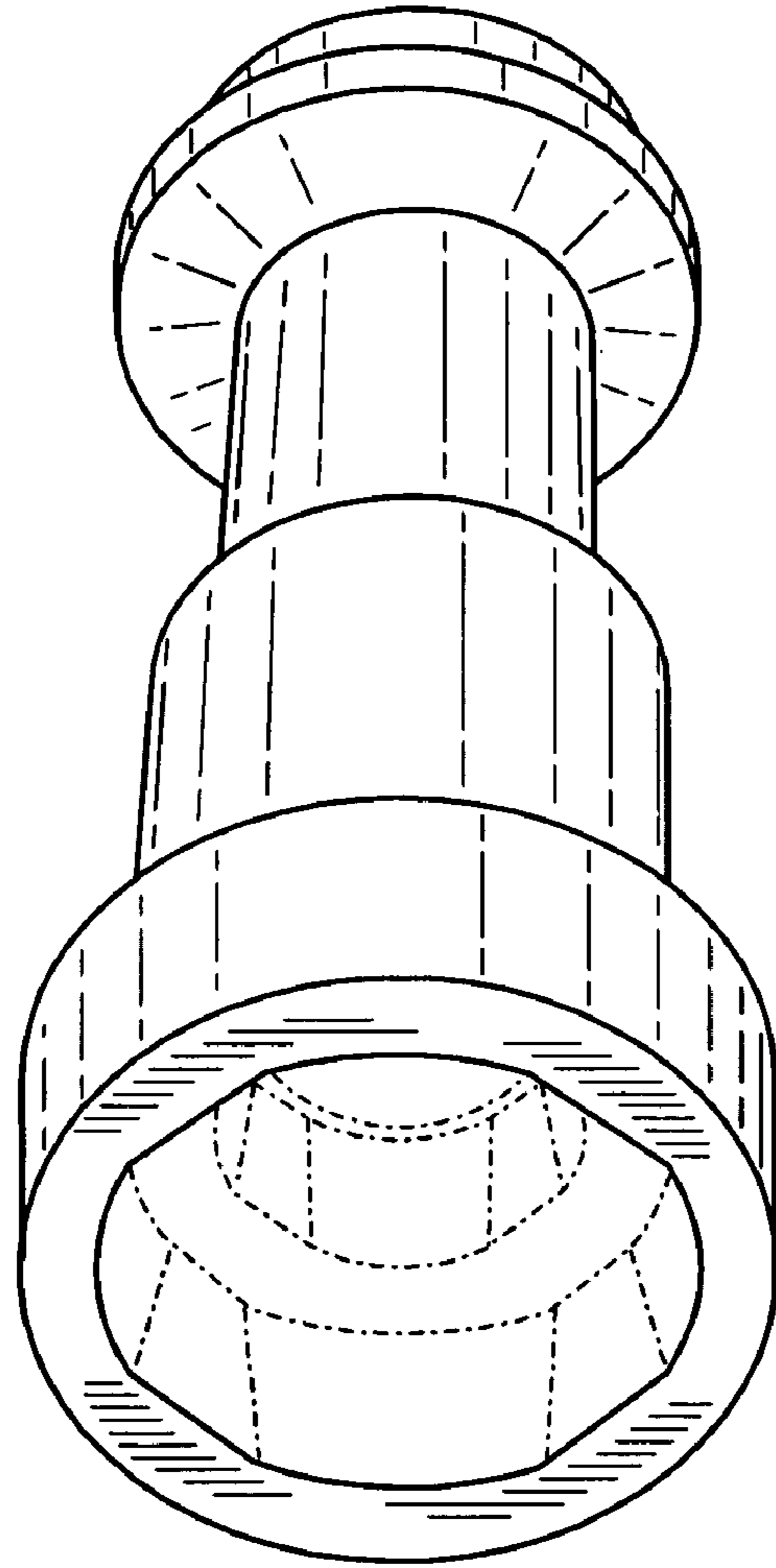


FIG. 2

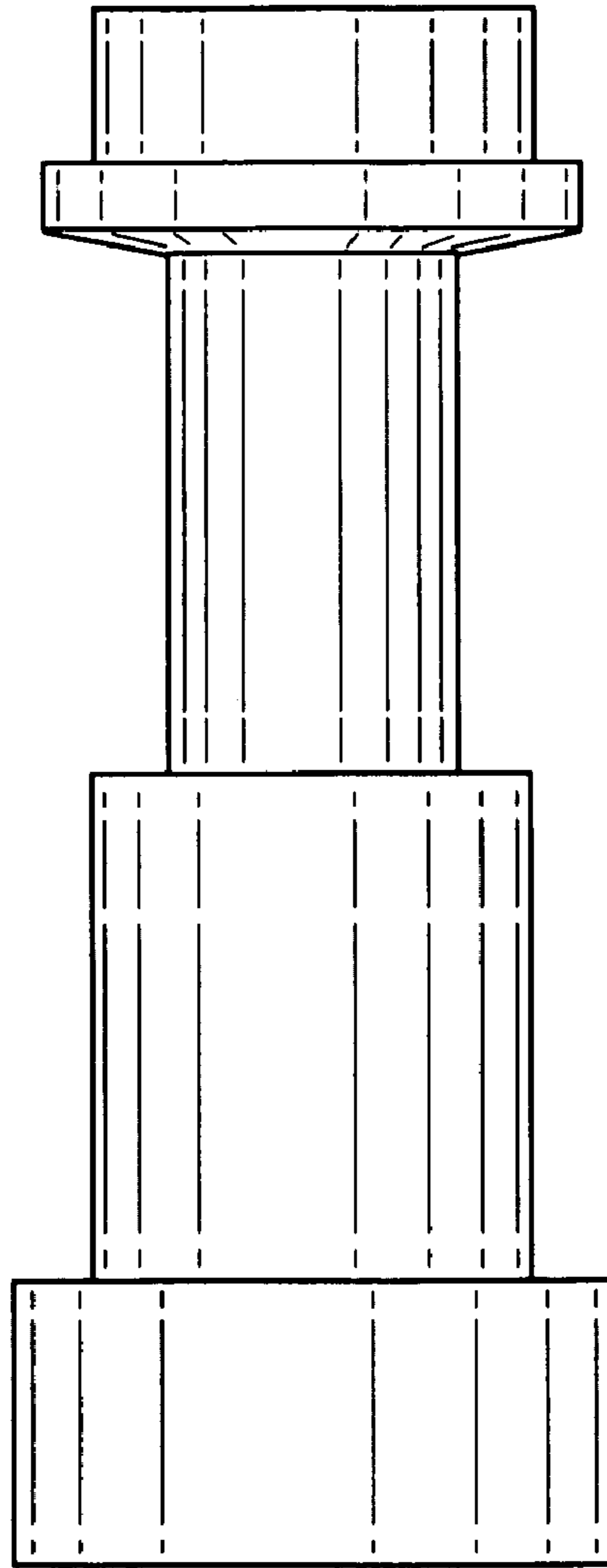


FIG. 3

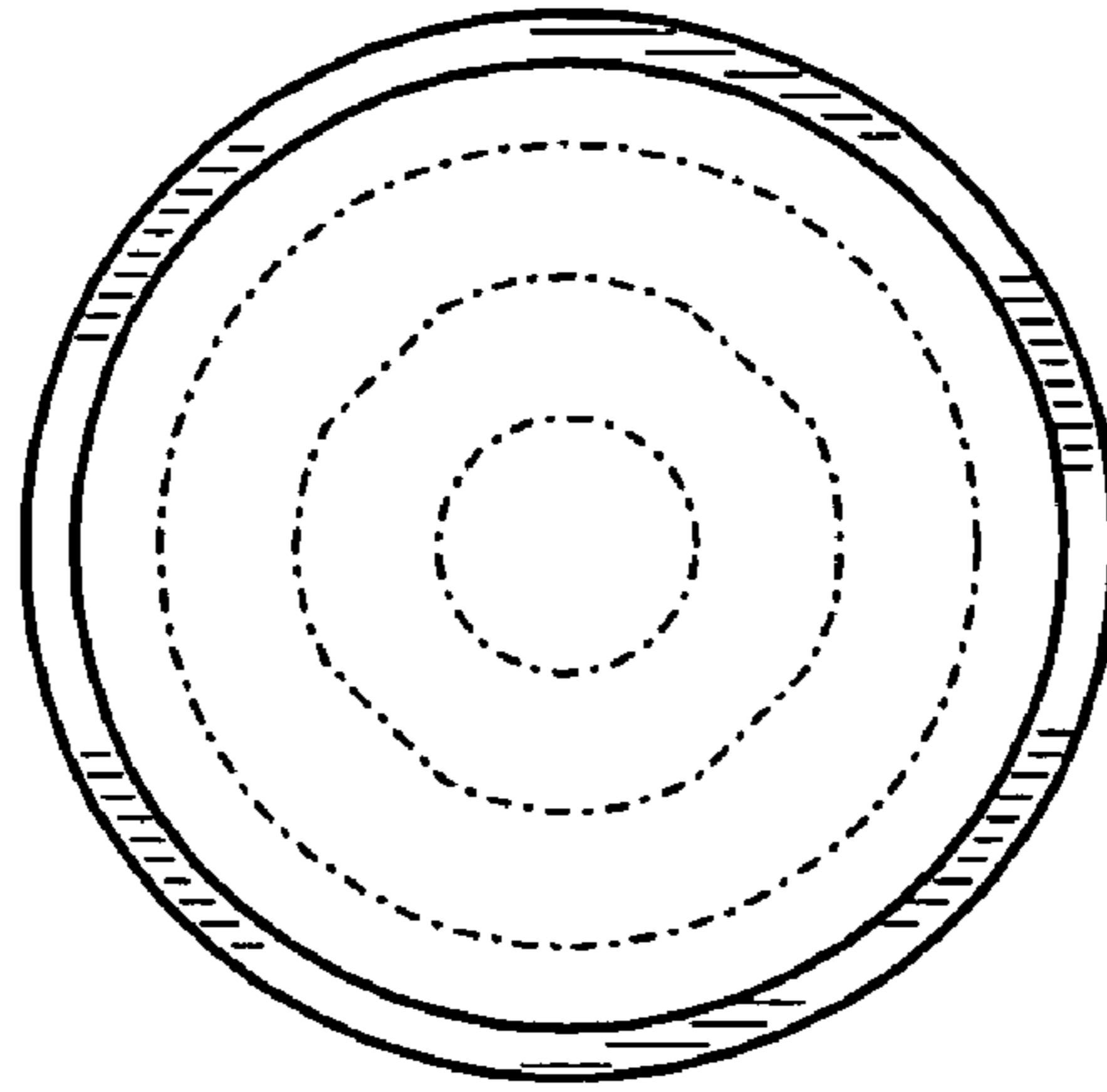


FIG. 4

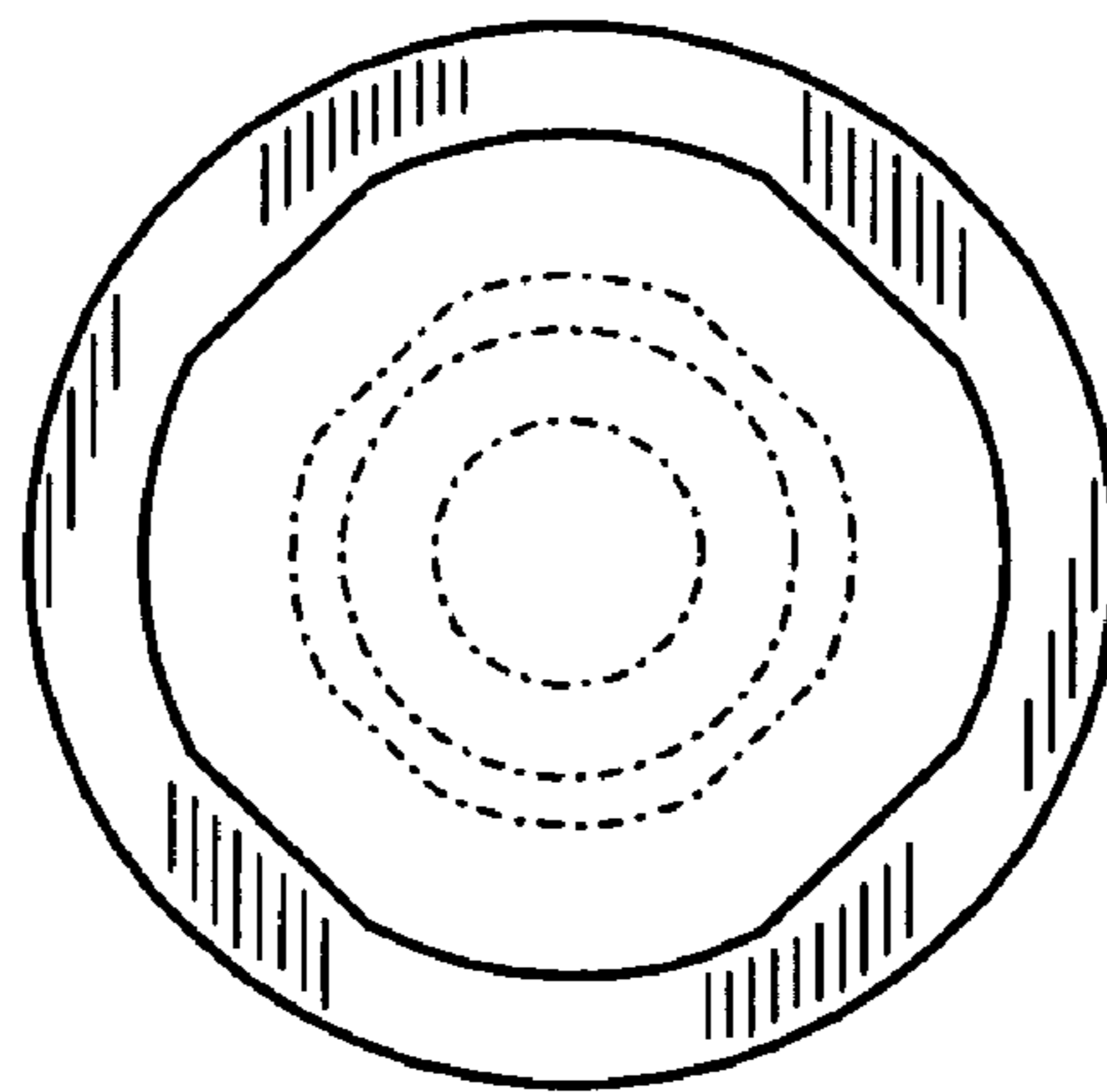


FIG. 5