



US00D615134S

(12) **United States Design Patent**
Nishimoto

(10) **Patent No.:** **US D615,134 S**

(45) **Date of Patent:** **** May 4, 2010**

(54) **TOY TOP**

2004/0198152 A1 10/2004 Matsukawa

(75) Inventor: **Hisao Nishimoto**, Tokyo (JP)

2006/0258259 A1* 11/2006 Lin 446/256

(73) Assignee: **Tomy Company, Ltd.**, Tokyo (JP)

(**) Term: **14 Years**

FOREIGN PATENT DOCUMENTS

(21) Appl. No.: **29/309,766**

CN 2925561 Y * 7/2007

(22) Filed: **Oct. 6, 2008**

CN 200977395 Y * 11/2007

(30) **Foreign Application Priority Data**

(Continued)

Apr. 8, 2008 (JP) 2008-008983

OTHER PUBLICATIONS

(51) **LOC (9) Cl.** **21-01**

(52) **U.S. Cl.** **D21/460**

European Search Report in Application No. 08253264.9 dated Jun. 25, 2009.

(58) **Field of Classification Search** D21/385,
D21/386, 390, 398, 404, 436-438, 441-444,
D21/451, 453, 455, 458, 460-464, 563, 578,
D21/585, 592; 446/34, 36-48, 217, 218,
446/236-266, 330, 352, 358, 359, 366, 368,
446/429, 430

(Continued)

See application file for complete search history.

Primary Examiner—Catherine Tuttle

(74) *Attorney, Agent, or Firm*—Staas & Halsey LLP

(56) **References Cited**

(57) **CLAIM**

The ornamental design for a toy top, as shown and described.

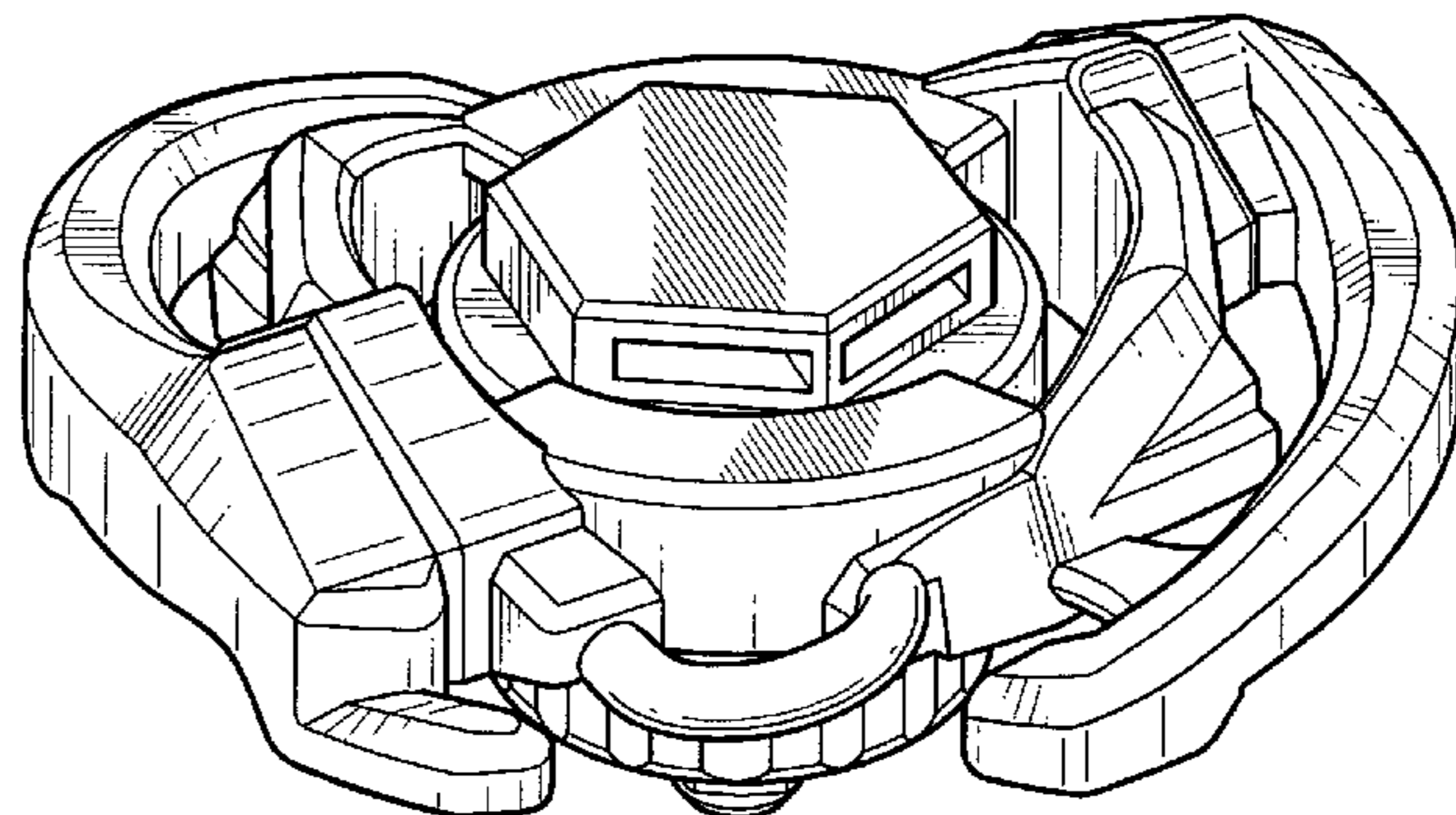
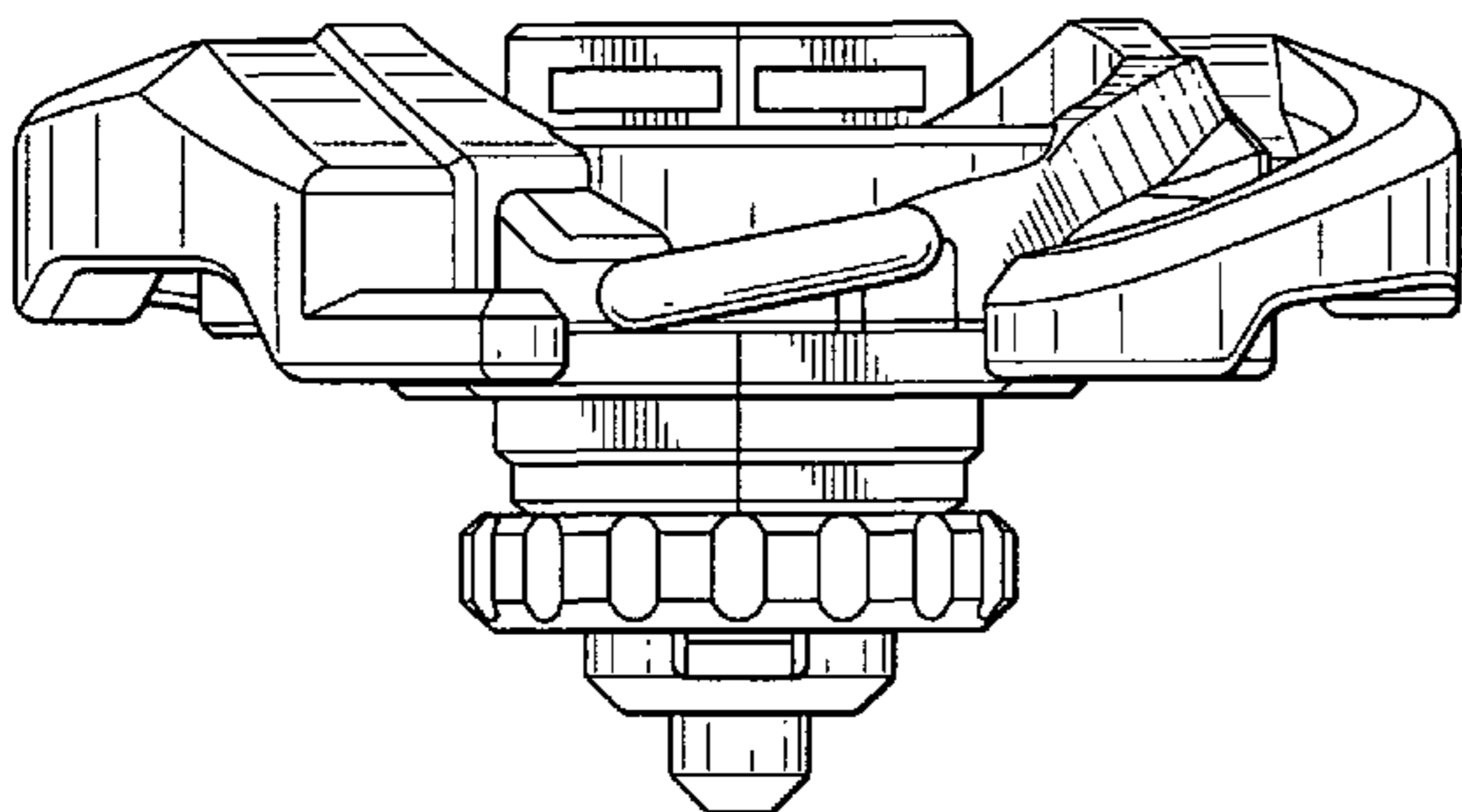
U.S. PATENT DOCUMENTS

461,948 A	10/1891	Wilson	
D155,015 S	8/1949	Krapp	
2,789,392 A *	4/1957	Palmieri	446/261
3,739,939 A *	6/1973	Koenig	206/518
4,157,632 A	6/1979	Everett	
D262,610 S *	1/1982	Westlake et al.	D10/111
D353,632 S *	12/1994	Nonaka et al.	D21/460
D356,347 S *	3/1995	Nonaka et al.	D21/460
5,518,437 A *	5/1996	Nonaka et al.	446/259
6,604,979 B1 *	8/2003	Liu	446/256
6,626,729 B2 *	9/2003	Osawa	446/250
6,746,300 B1 *	6/2004	Matsukawa	446/256
6,905,389 B2 *	6/2005	Matsukawa	446/256
7,063,589 B2	6/2006	Matsukawa et al.	
7,427,225 B2	9/2008	Matsukawa et al.	
D584,366 S	1/2009	Bowen et al.	
2002/0102907 A1	8/2002	Osawa	
2003/0064660 A1	4/2003	Matsukawa	

DESCRIPTION

FIG. 1 is a side view of the toy top showing my design;
FIG. 2 is a side view rotated 90° from FIG. 1;
FIG. 3 is a top view thereof;
FIG. 4 is a bottom view thereof;
FIG. 5 is a perspective view thereof; and,
FIG. 6 is a perspective view showing the design with its
components in a separated state.
The broken lines are included for the purpose of illustrating
portions of the toy top that form no part of the claimed design.

1 Claim, 4 Drawing Sheets



FOREIGN PATENT DOCUMENTS

CN	200977396	Y	*	11/2007
CN	200977397	Y	*	11/2007
CN	200977398	Y	*	11/2007
CN	200984446	Y	*	12/2007
DE	202 07 253			10/2002
JP	3067318			3/2000
JP	3156926			4/2001
JP	2003320174	A	*	11/2003
JP	2005328976	A	*	12/2005

OTHER PUBLICATIONS

Abstract of Japanese Publication of 3156926, published Feb. 27, 2001.

U.S. Copyright Registration No. VA1-151-590 dated Nov. 15, 2002 with deposit copy.

U.S. Copyright Registration No. VA1-151-591 dated Nov. 15, 2002 with deposit copy.

U.S. Copyright Registration No. VA1-151-593 dated Nov. 15, 2002 with deposit copy.

U.S. Copyright Registration No. VA1-172-926 dated Oct. 22, 2002 with deposit copy.

U.S. Copyright Registration No. VA1-172-927 dated Oct. 22, 2002 with deposit copy.

U.S. Copyright Registration No. VA1-172-931 dated Oct. 22, 2002 with deposit copy.

Specimen filed in U.S. Trademark Registration No. 3,002,216 on Jul. 11, 2005.

Specimen filed in U.S. Trademark Registration No. 2,709,995 on Nov. 12, 2002.

Apr. 7, 2009 Notice of Allowance in co-pending U.S. Appl. No. 29/309,764.

Sep. 3, 2009 Notice of Allowance in co-pending U.S. Appl. No. 29/309,764.

Apr. 2, 2009 Office Action in co-pending U.S. Appl. No. 29/309,758.

Apr. 16, 2009 Office Action in co-pending U.S. Appl. No. 29/309,768.

Apr. 15, 2009 Office Action in co-pending U.S. Appl. No. 29/309,759.

Apr. 15, 2009 Office Action in co-pending U.S. Appl. No. 29/309,761.

Apr. 7, 2009 Notice of Allowance in co-pending U.S. Appl. No. 29/309,762.

Sep. 3, 2009 Notice of Allowance in co-pending U.S. Appl. No. 29/309,762.

U.S. Appl. No. 29/309,764, filed Oct. 6, 2008, Nishimoto, TOMY Company, Ltd.

U.S. Appl. No. 29/309,758, filed Oct. 6, 2008, Nishimoto, TOMY Company, Ltd.

U.S. Appl. No. 29/309,768, filed Oct. 6, 2008, Nishimoto, TOMY Company, Ltd.

U.S. Appl. No. 29/309,759, filed Oct. 6, 2008, Ujita, TOMY Company, Ltd.

U.S. Appl. No. 29/309,761, filed Oct. 6, 2008, Nishimoto, TOMY Company, Ltd.

U.S. Appl. No. 29/309,762, filed Oct. 6, 2008, Nishimoto, TOMY Company, Ltd.

U.S. Appl. No. 29/311,777, filed Jun. 17, 2009, Ujita, TOMY Company, Ltd.

U.S. Appl. No. 29/311,776, filed Jun. 17, 2009, Ujita, TOMY Company, Ltd.

U.S. Appl. No. 29/311,775, filed Jun. 17, 2009, Ujita, TOMY Company, Ltd.

U.S. Appl. No. 29/311,821, filed Jul. 2, 2009, Nishimoto, TOMY Company, Ltd.

Patent Abstract of China, Publication No. 201214014, Published Apr. 1, 2009.

Office Action mailed Nov. 27, 2009 in co-pending U.S. Des. Appl. No. 29/311,821.

Office Action mailed Nov. 27, 2009 in co-pending U.S. Des. Appl. No. 29/311,775.

Notice of Allowance mailed Nov. 30, 2009 in co-pending U.S. Des. Appl. No. 29/309,758.

Notice of Allowance mailed Dec. 1, 2009 in co-pending U.S. Des. Appl. No. 29/311,777.

* cited by examiner

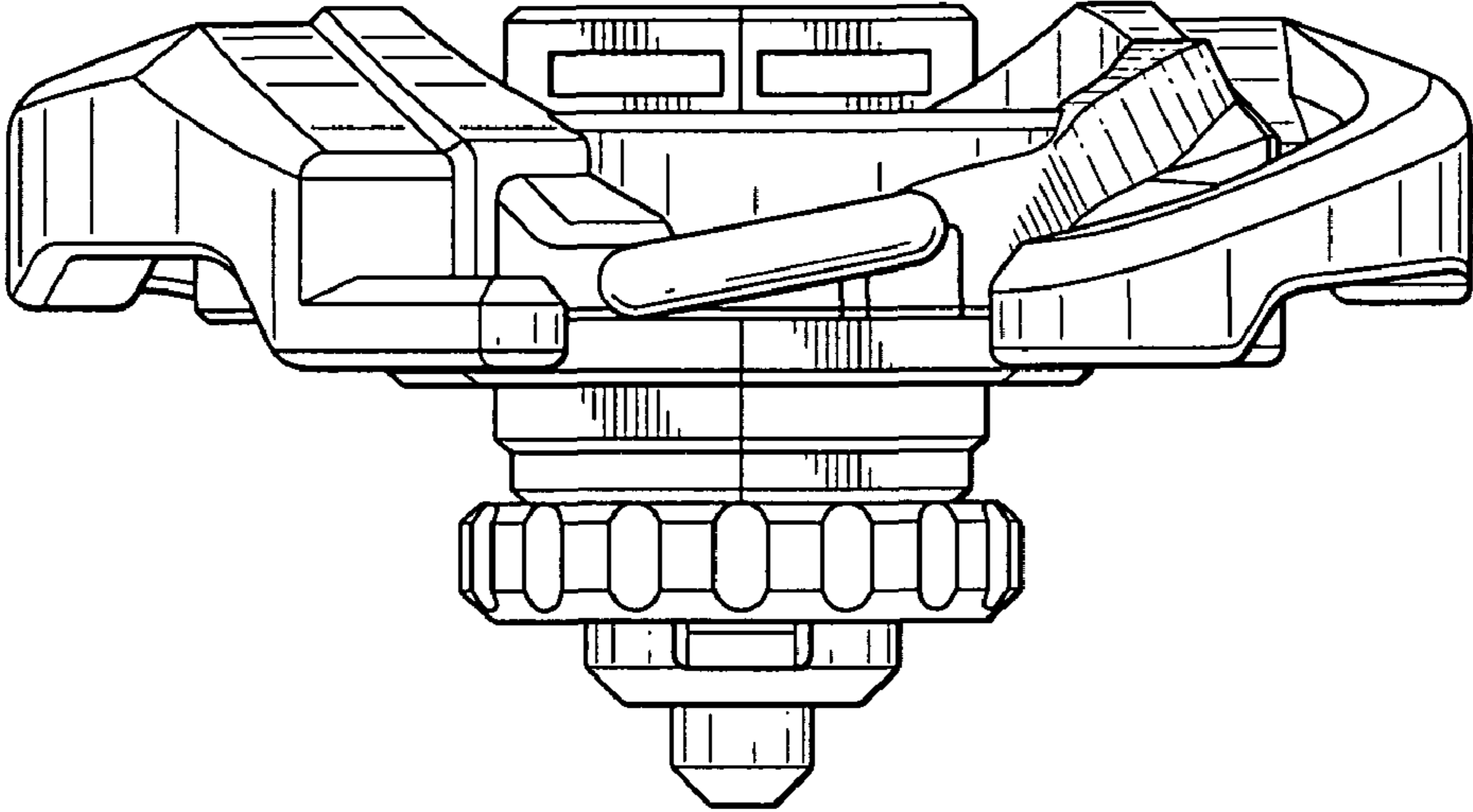


FIG. 1

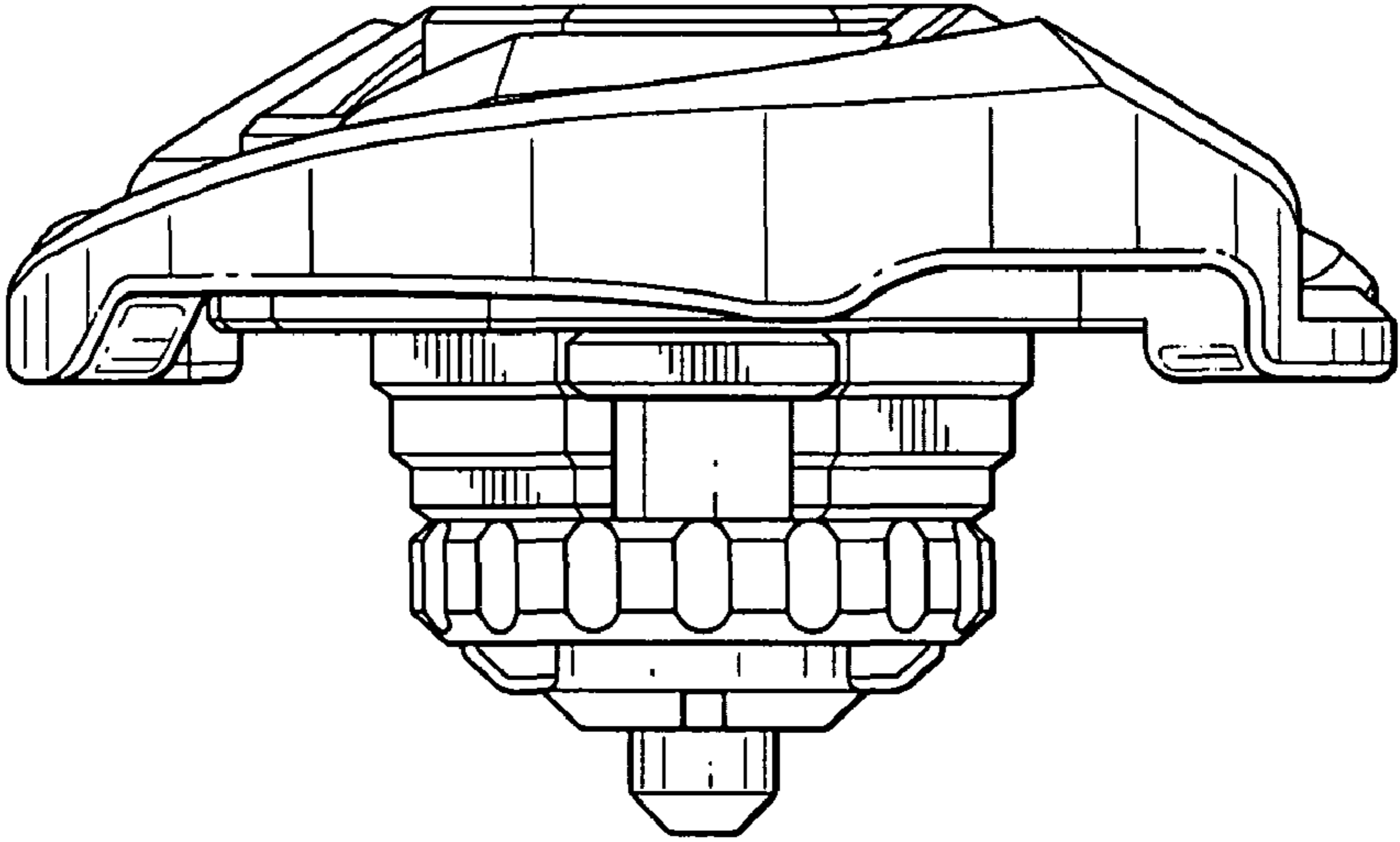


FIG. 2

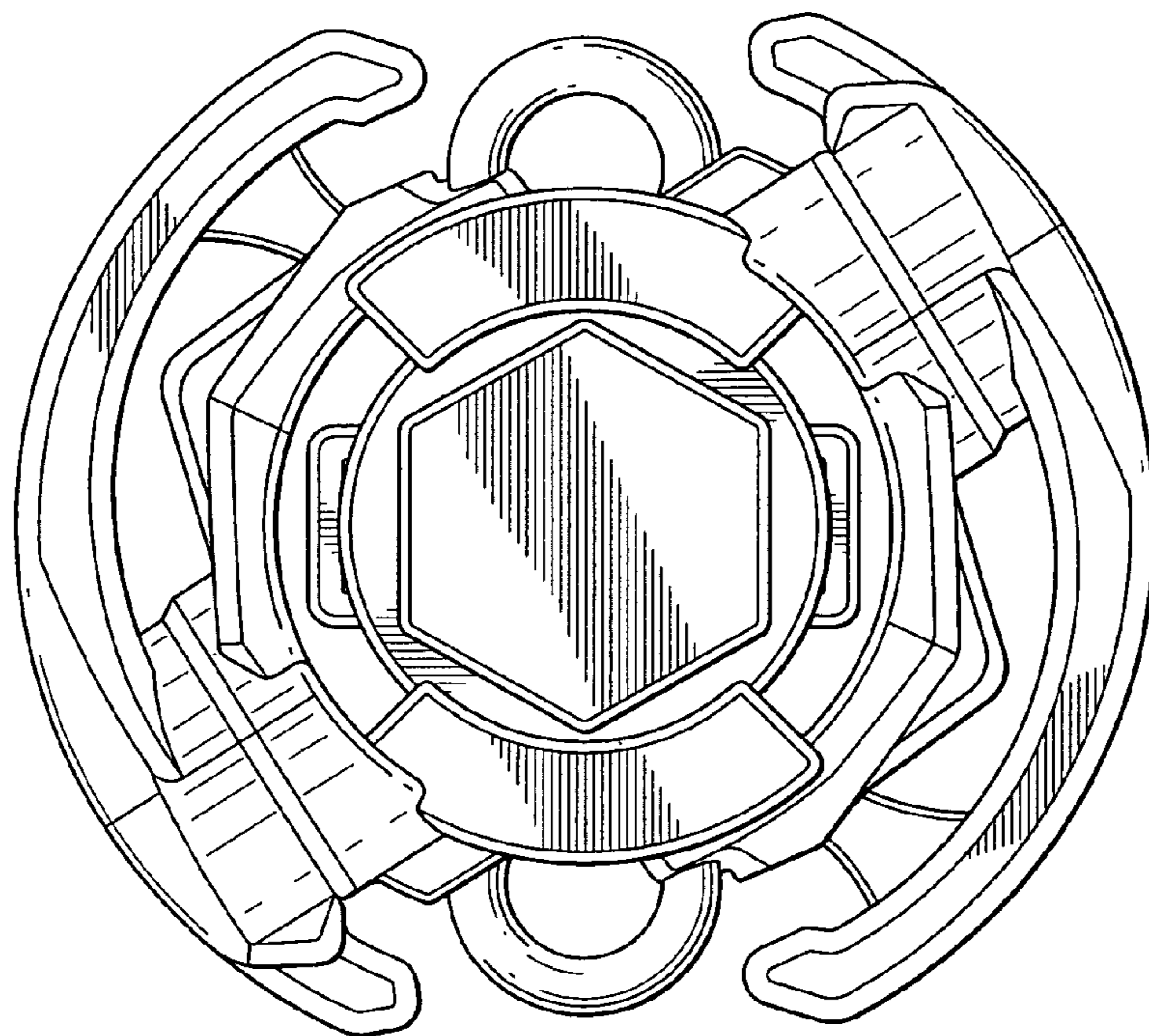


FIG. 3

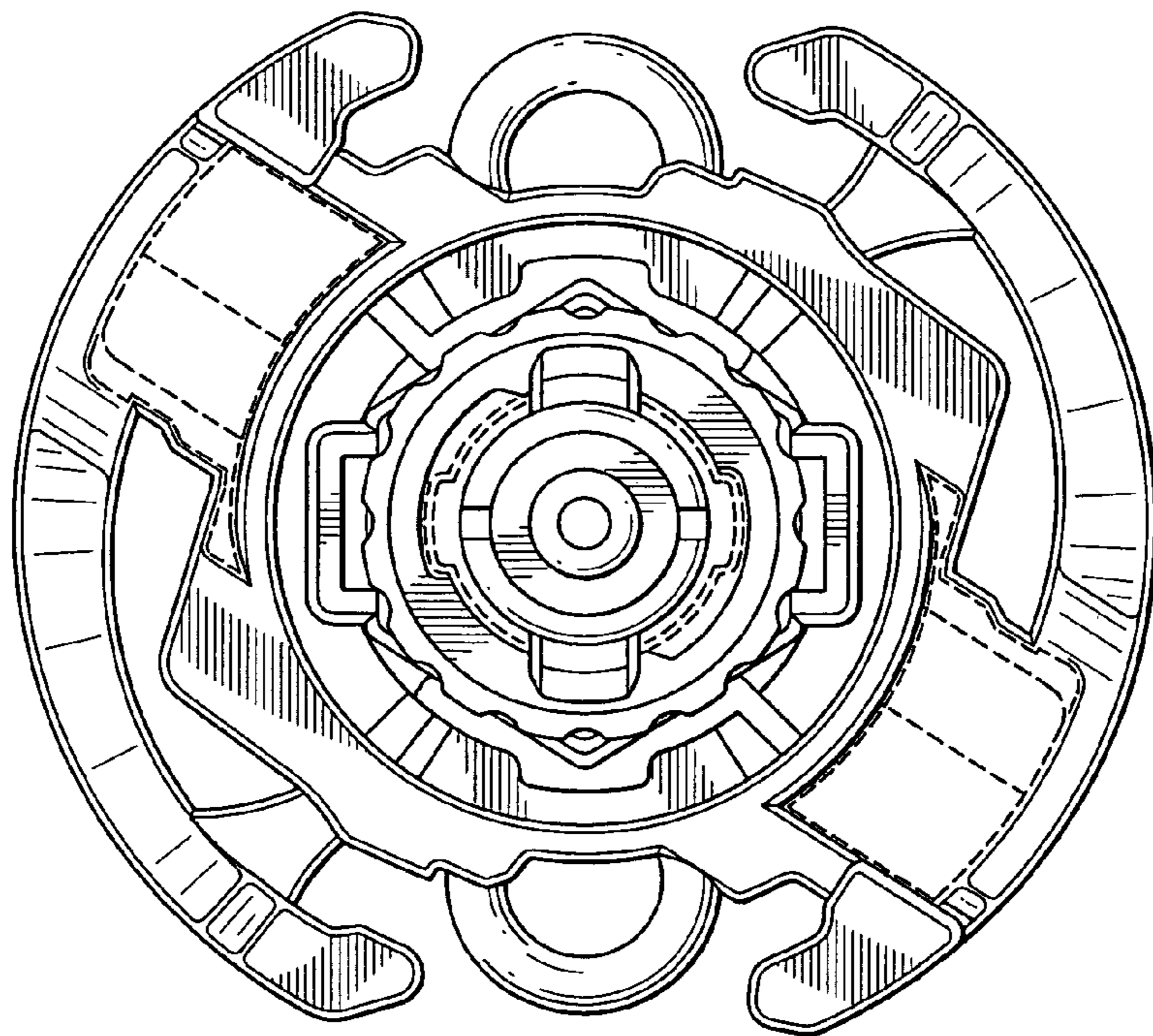


FIG. 4

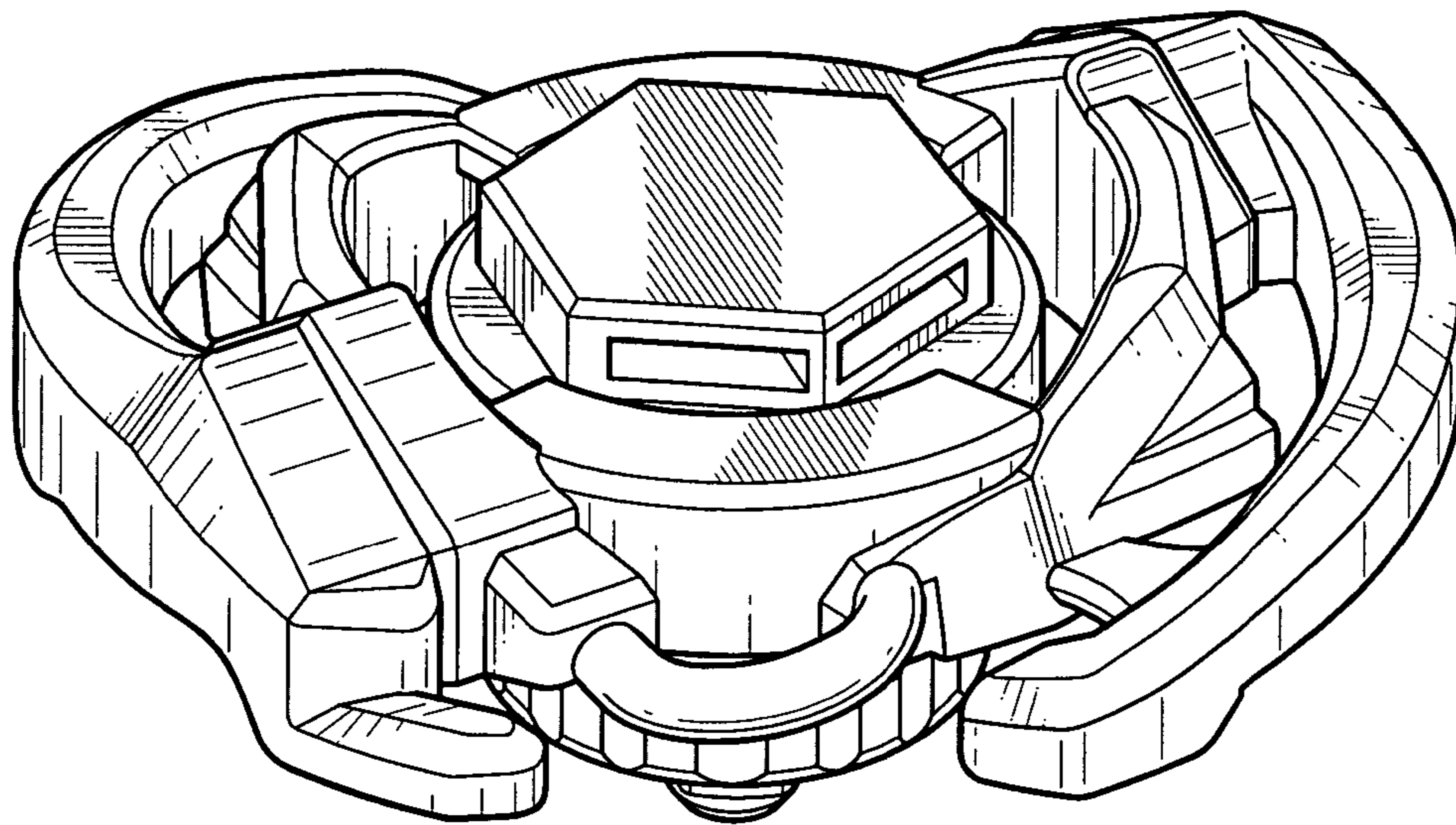


FIG. 5

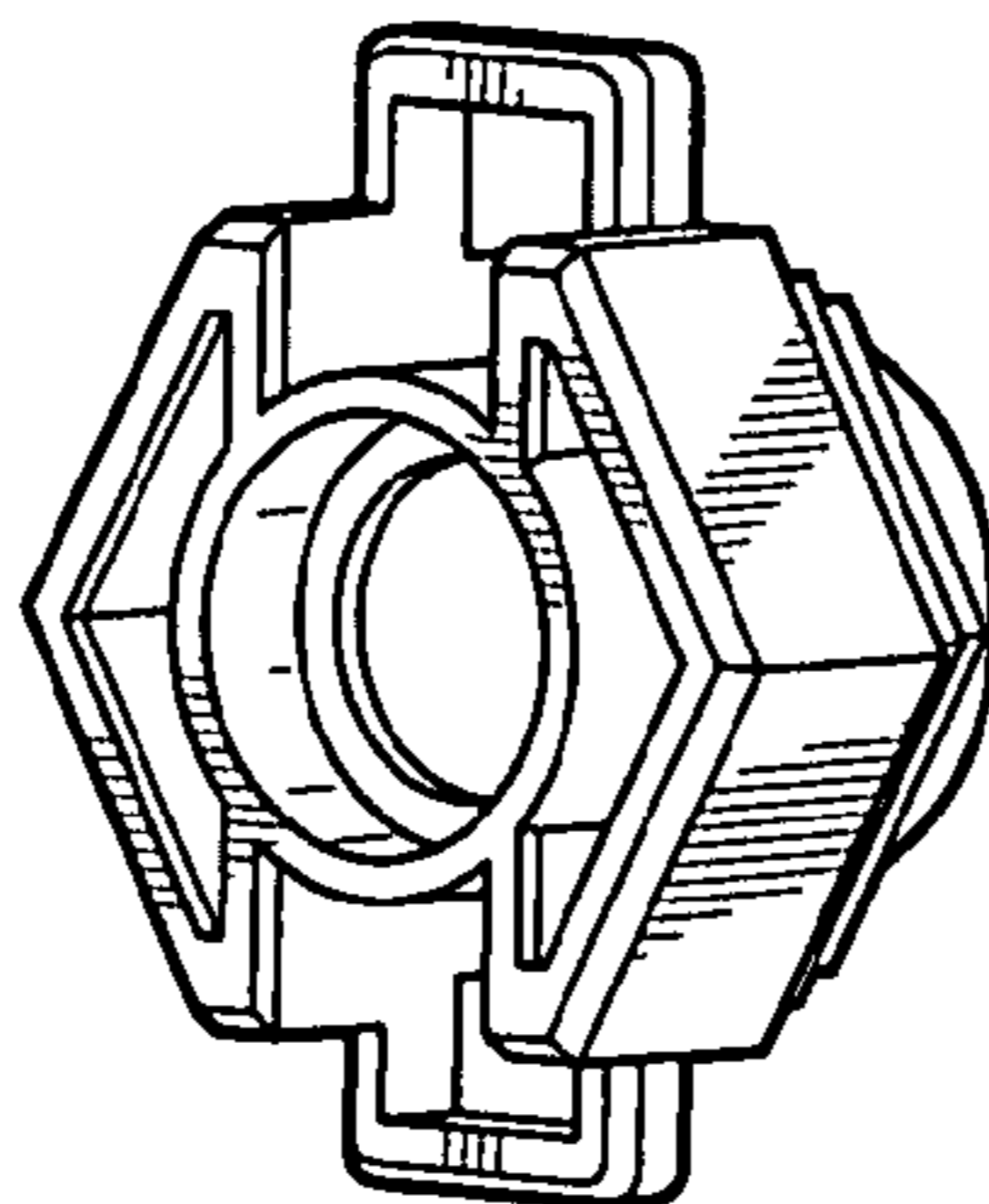
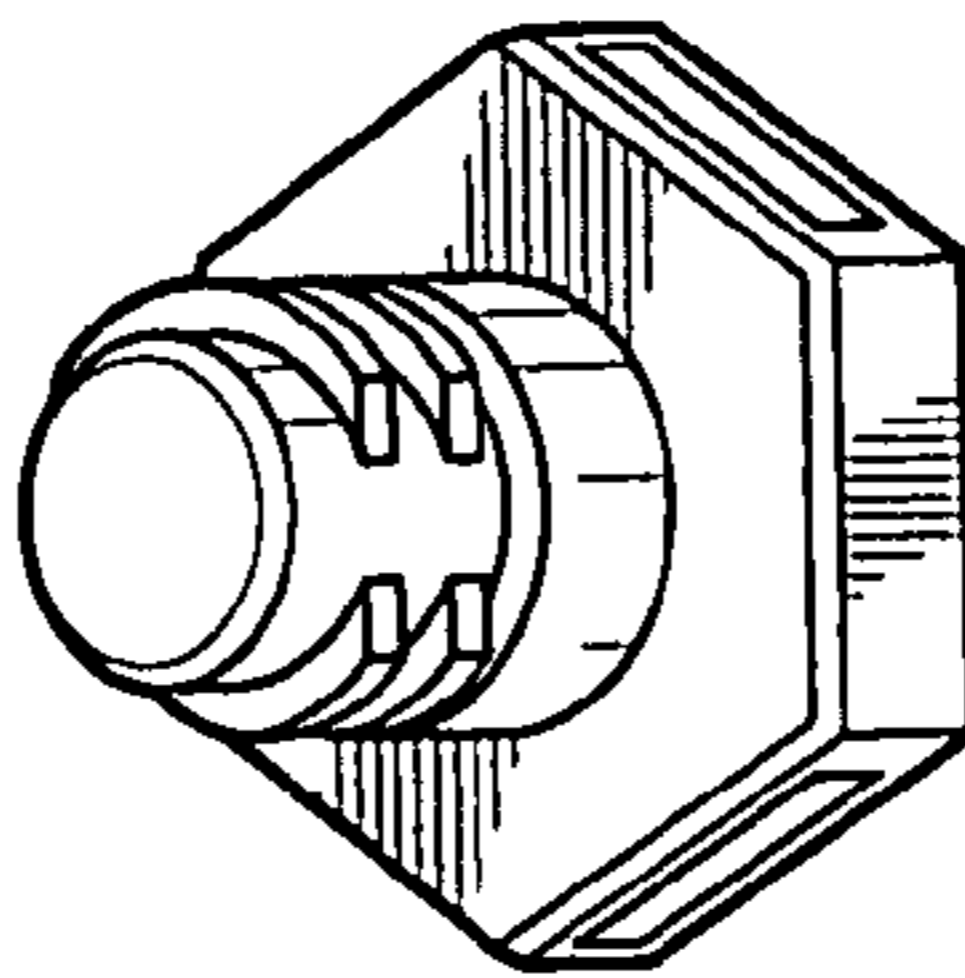
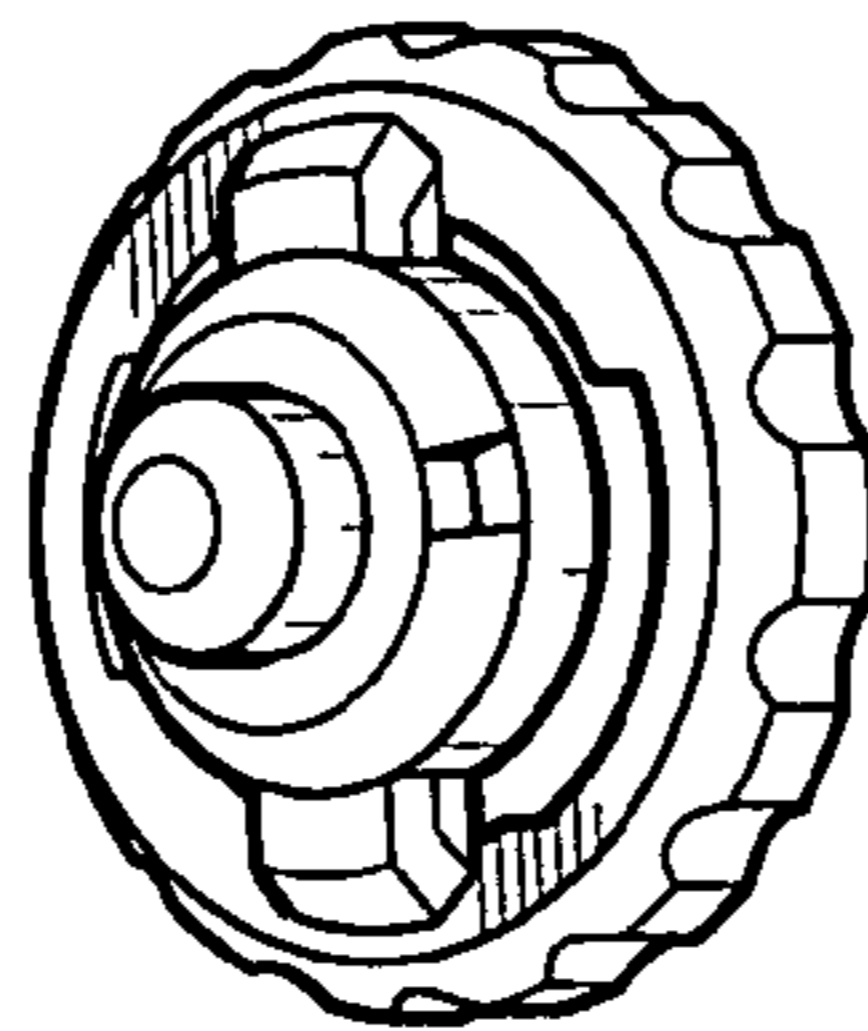
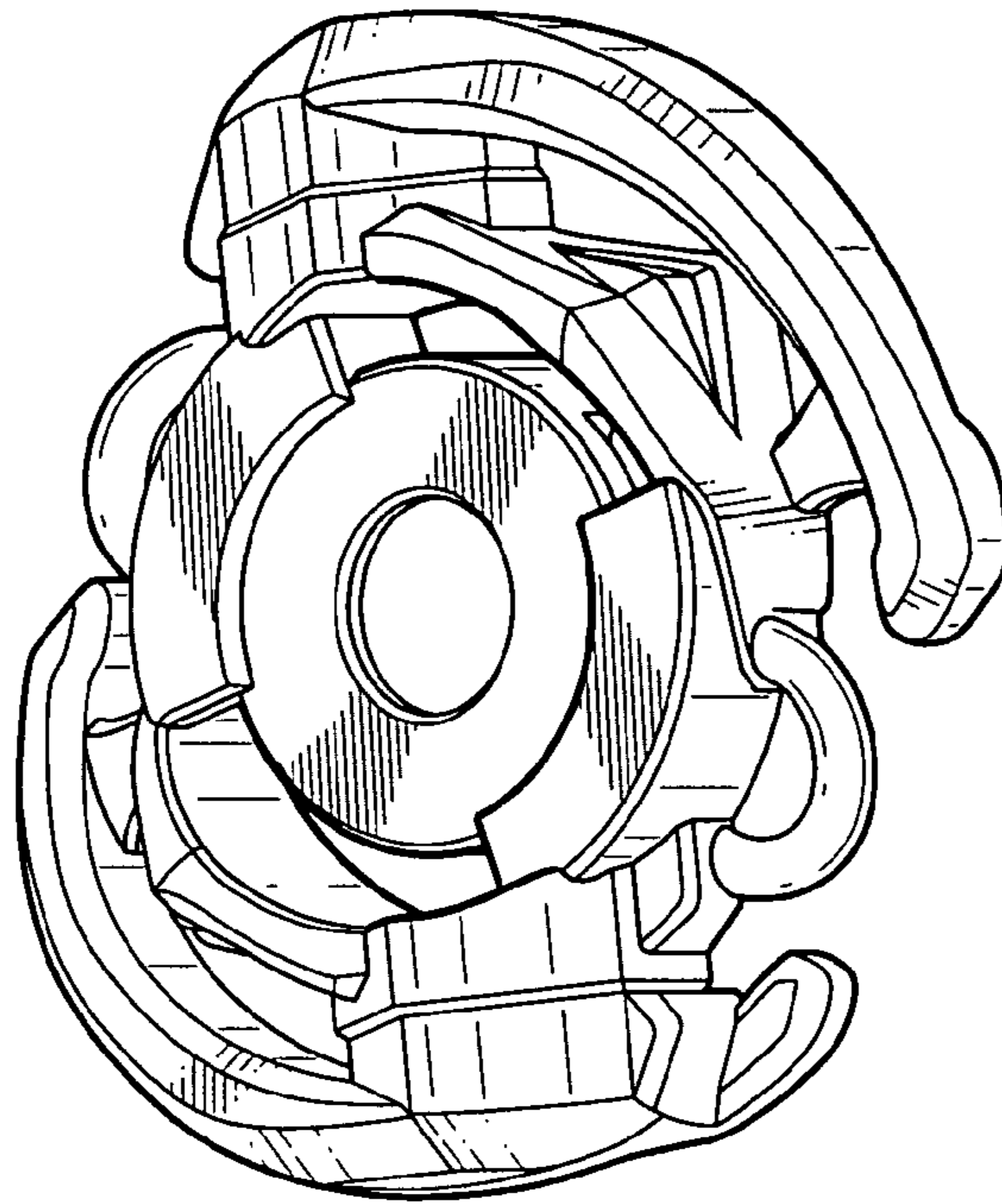


FIG. 6