



US00D615129S

(12) **United States Design Patent**  
**Allen**

(10) **Patent No.:** **US D615,129 S**  
(45) **Date of Patent:** **\*\* May 4, 2010**

(54) **COMBINED ADVERTISING PANELS AND PORTION OF A SHOPPING CART CORRAL**

*Primary Examiner*—Janice E Seeger  
*Assistant Examiner*—Mary Ann Calabrese  
(74) *Attorney, Agent, or Firm*—James Surber

(76) **Inventor:** **Joseph Allen**, 40407 Clybourne Cir.,  
Murrieta, CA (US) 92562

(57) **CLAIM**

(\*\*) **Term:** **14 Years**

The ornamental design for combined advertising panels and portion of a shopping cart corral, as shown and described.

(21) **Appl. No.:** **29/314,381**

(22) **Filed:** **Mar. 25, 2009**

**DESCRIPTION**

(51) **LOC (9) Cl.** ..... **20-03**

(52) **U.S. Cl.** ..... **D20/19; D20/42; D20/43; D25/1**

(58) **Field of Classification Search** ..... D20/10, D20/17, 19, 39-43, 99; 40/538-542, 564, 40/565, 568, 572, 584, 606.02, 606.09, 607.1, 40/611.01, 617, 618, 624, 700; D10/104, D10/109; D25/18, 22; 52/169.2, 238.1, 52/239; 211/17; 248/129, 149; 362/812; 428/14

FIG. 1 is a perspective view of combined advertising panels and portion of a shopping cart corral;  
FIG. 2 is a side view thereof;  
FIG. 3 is a front view thereof;  
FIG. 4 is a rear view thereof;  
FIG. 5 is a top view thereof;  
FIG. 6 is a top isometric view of combined advertising panels and portion of a shopping cart corral;  
FIG. 7 is a side view thereof;  
FIG. 8 is a front view thereof;  
FIG. 9 is a top view thereof;  
FIG. 10 is a perspective view of wider combined advertising panels and portion of a shopping cart corral;  
FIG. 11 is a side view thereof;  
FIG. 12 is a front view thereof;  
FIG. 13 is a rear view thereof;  
FIG. 14 is a top view thereof;  
FIG. 15 is a top isometric view of wider combined advertising panels and portion of a shopping cart corral;  
FIG. 16 is a side view thereof;  
FIG. 17 is a front view thereof; and,  
FIG. 18 is a top view thereof.

See application file for complete search history.

(56) **References Cited**

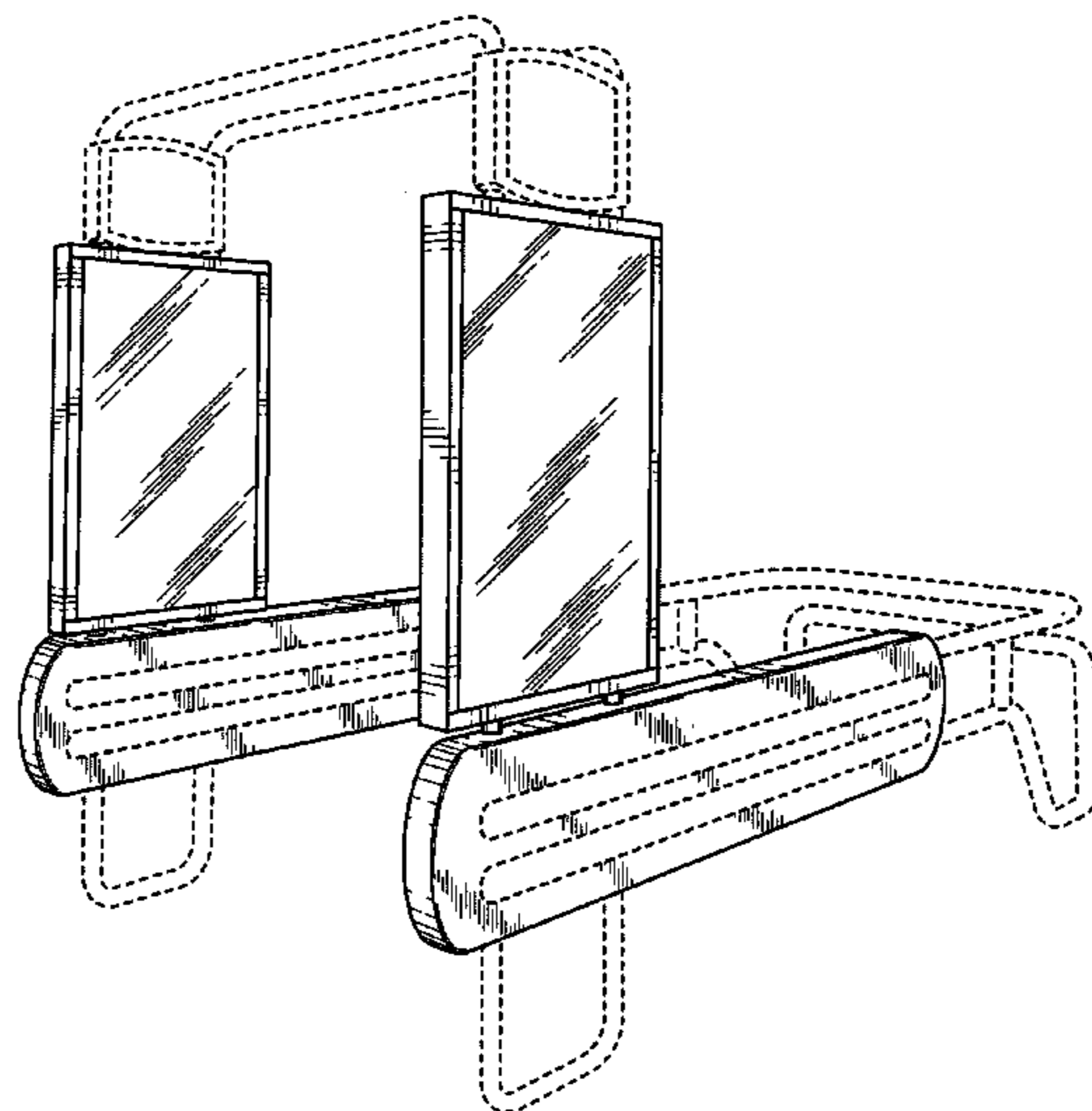
**U.S. PATENT DOCUMENTS**

|              |      |         |                |           |
|--------------|------|---------|----------------|-----------|
| 2,165,724    | A *  | 7/1939  | Page et al.    | 40/606.09 |
| 4,292,352    | A *  | 9/1981  | Singer         | 428/14    |
| 4,884,353    | A *  | 12/1989 | Taylor         | 40/611.01 |
| 5,279,085    | A *  | 1/1994  | DiPaolo et al. | 52/169.2  |
| 5,551,578    | A *  | 9/1996  | McCue et al.   | 211/17    |
| 5,626,926    | A *  | 5/1997  | Roberts        | 428/14    |
| 5,878,518    | A *  | 3/1999  | Grewe          | 40/606.02 |
| 6,298,997    | B1 * | 10/2001 | Jarrett et al. | 211/17    |
| D495,011     | S *  | 8/2004  | Trubiano       | D20/42    |
| 7,140,581    | B1 * | 11/2006 | White          | 248/129   |
| D537,952     | S *  | 3/2007  | Anton          | D25/18    |
| D540,472     | S *  | 4/2007  | Van Es         | D25/22    |
| 7,210,270    | B1 * | 5/2007  | King et al.    | 52/239    |
| 2008/0040962 | A1   | 2/2008  | Gurren         |           |

The broken lines represent portions of the shopping cart corral which form no part of the claimed design.

\* cited by examiner

**1 Claim, 18 Drawing Sheets**



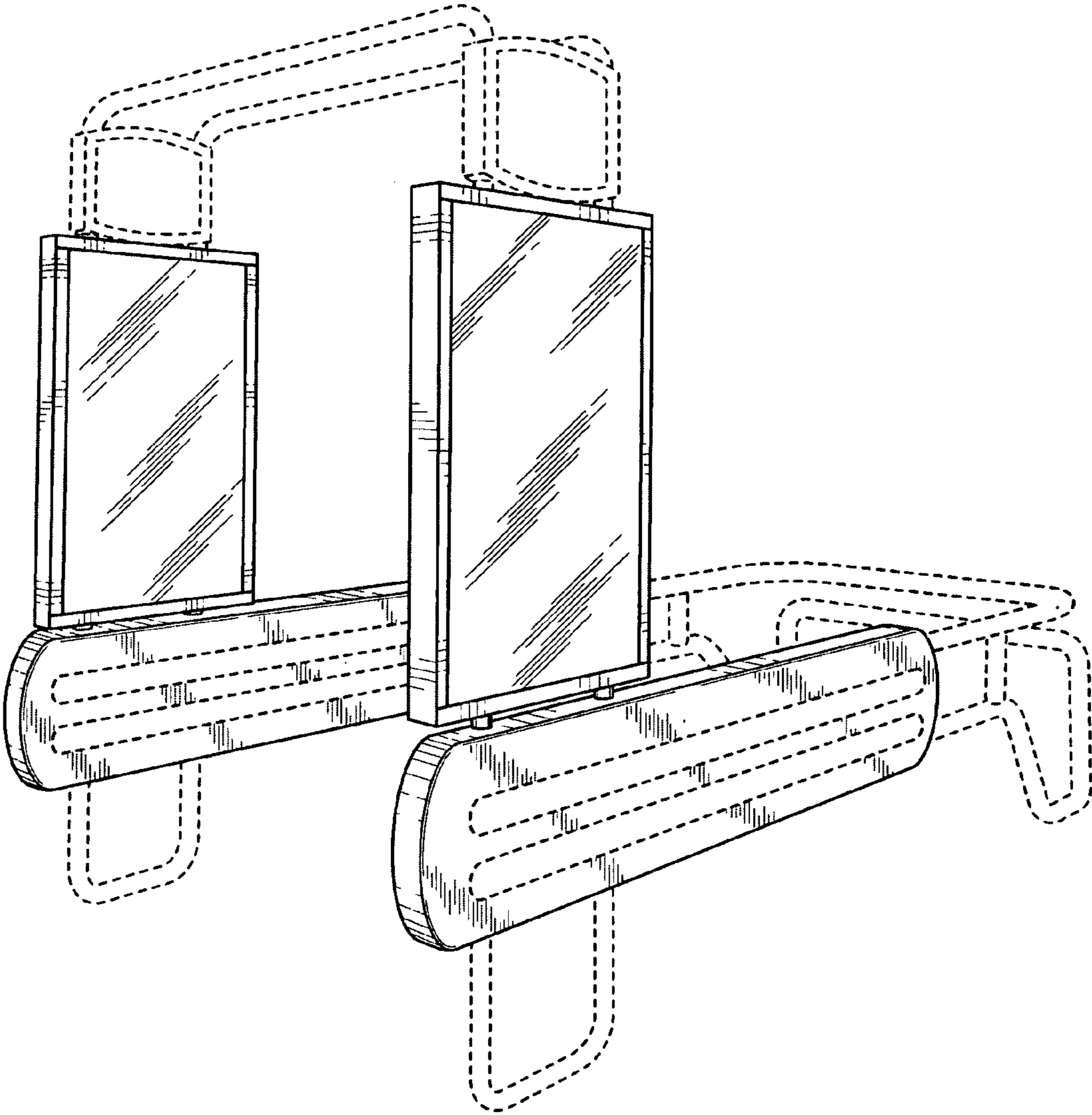


FIG. 1

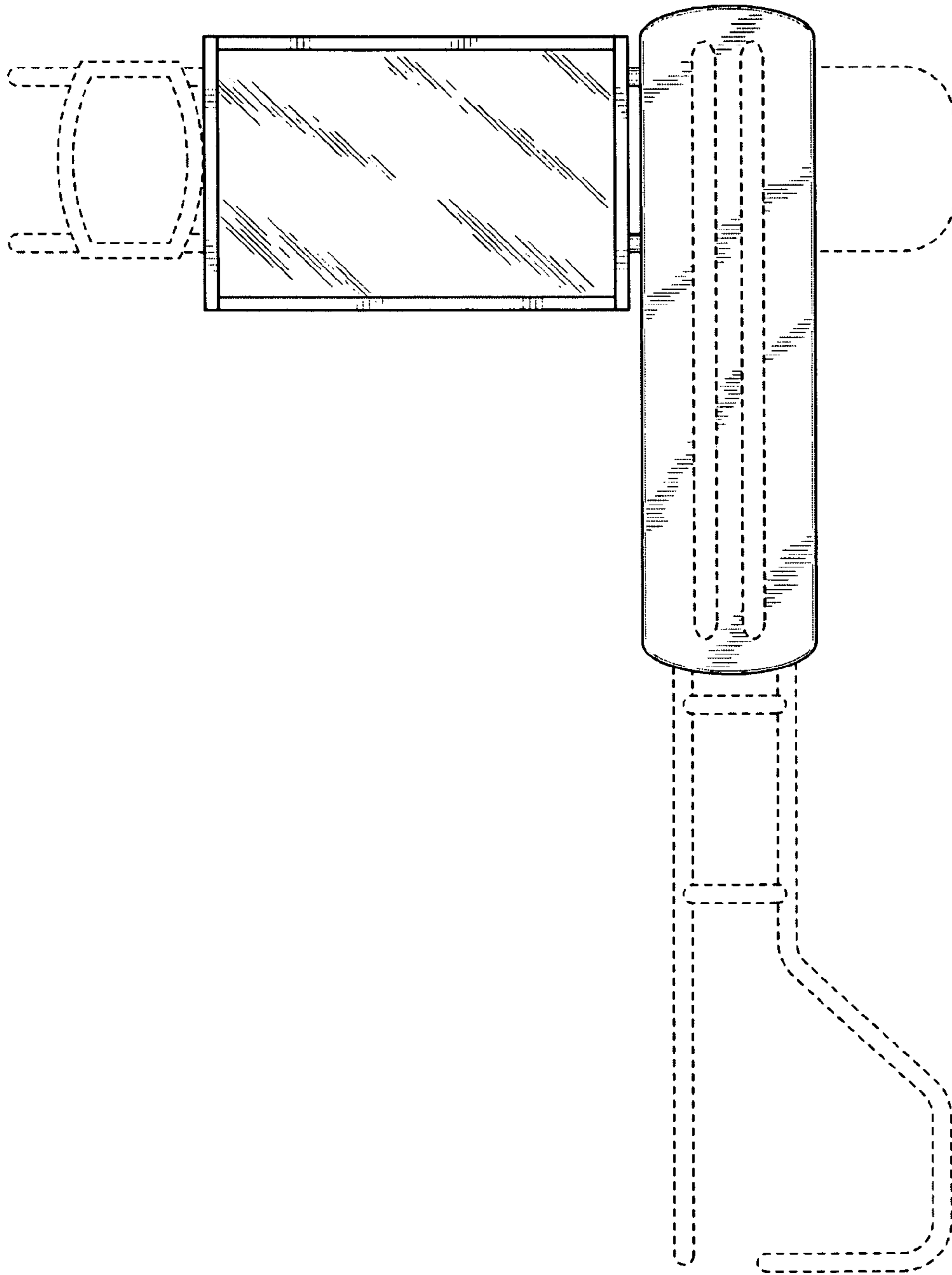


FIG. 2

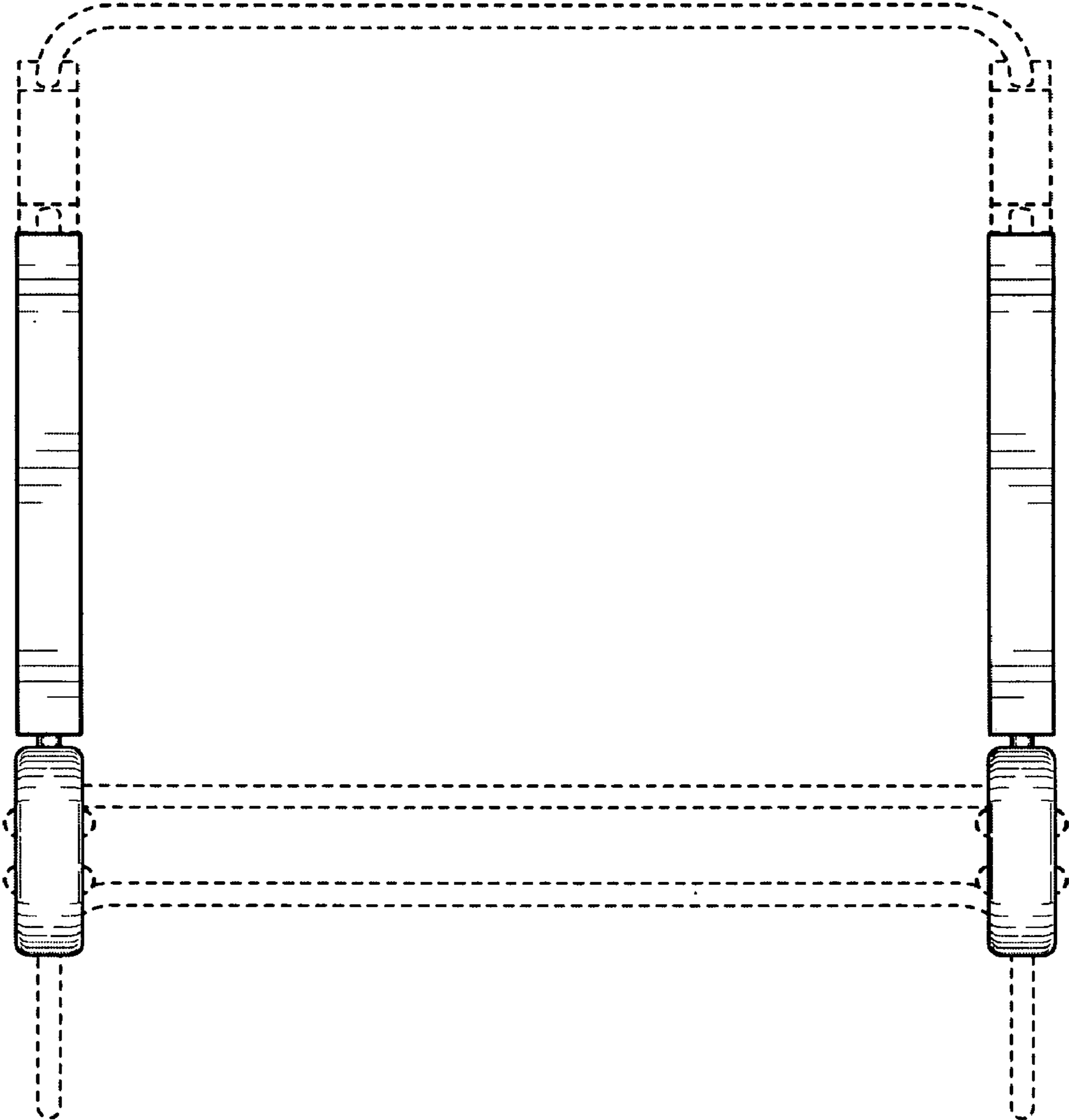


FIG. 3

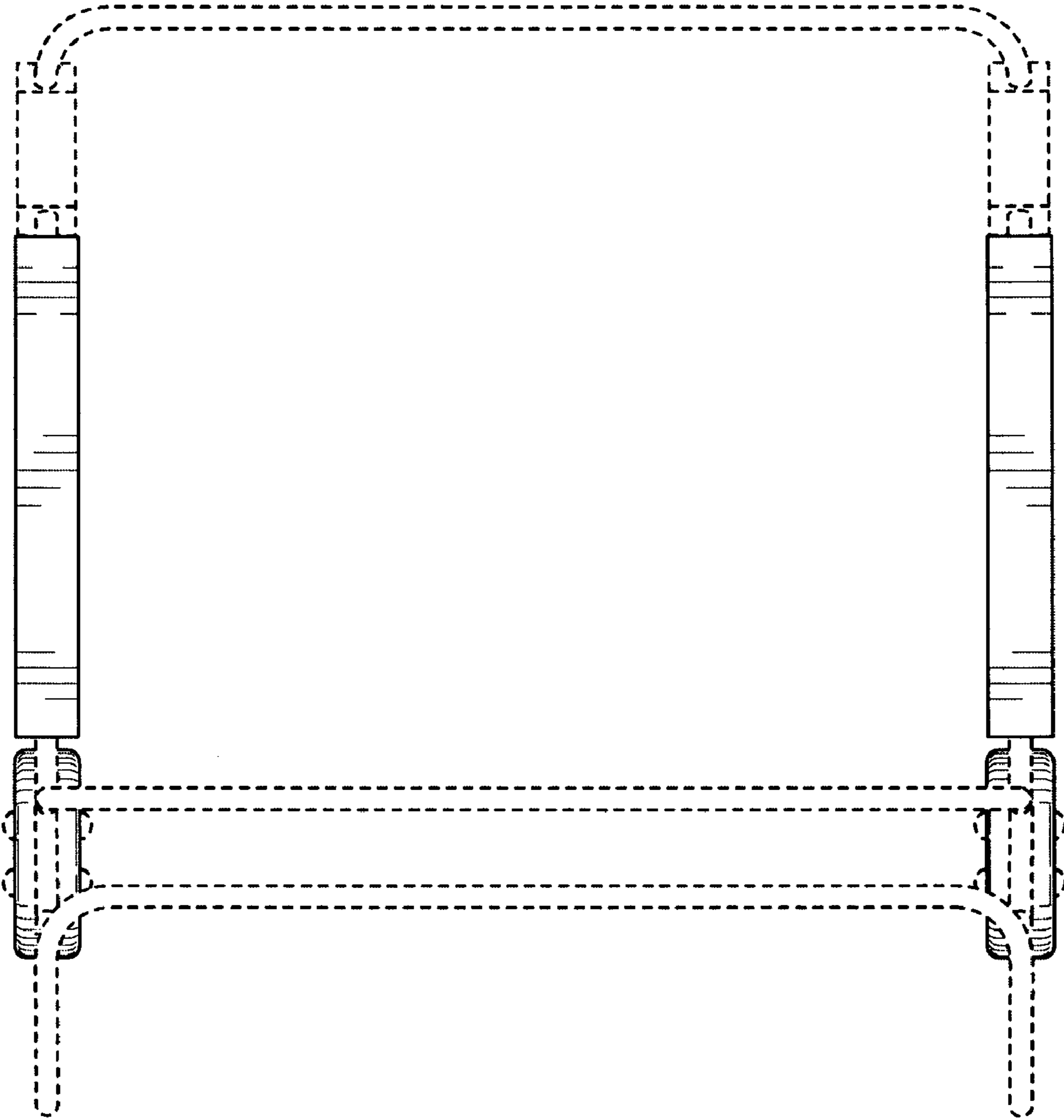


FIG. 4

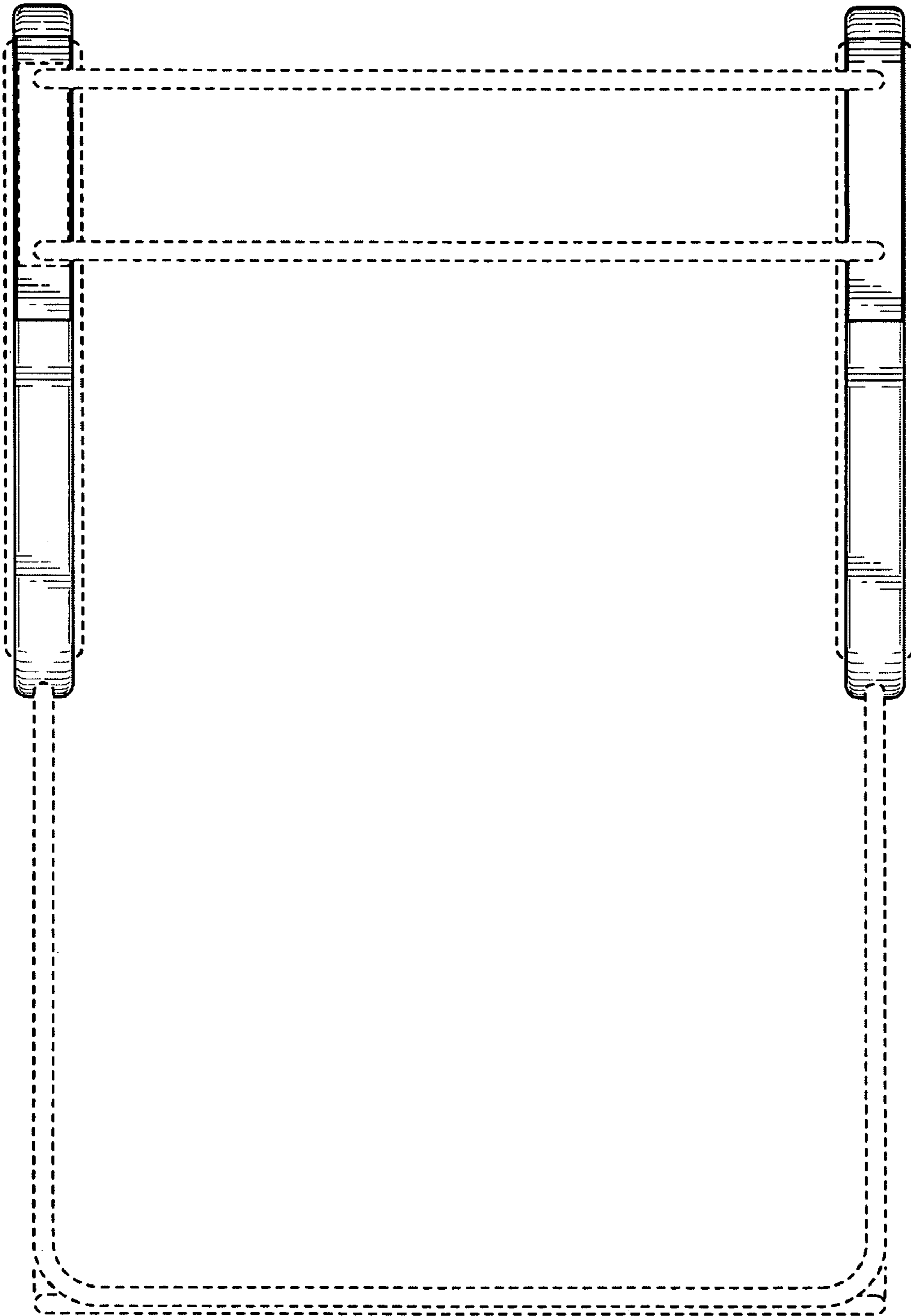


FIG. 5

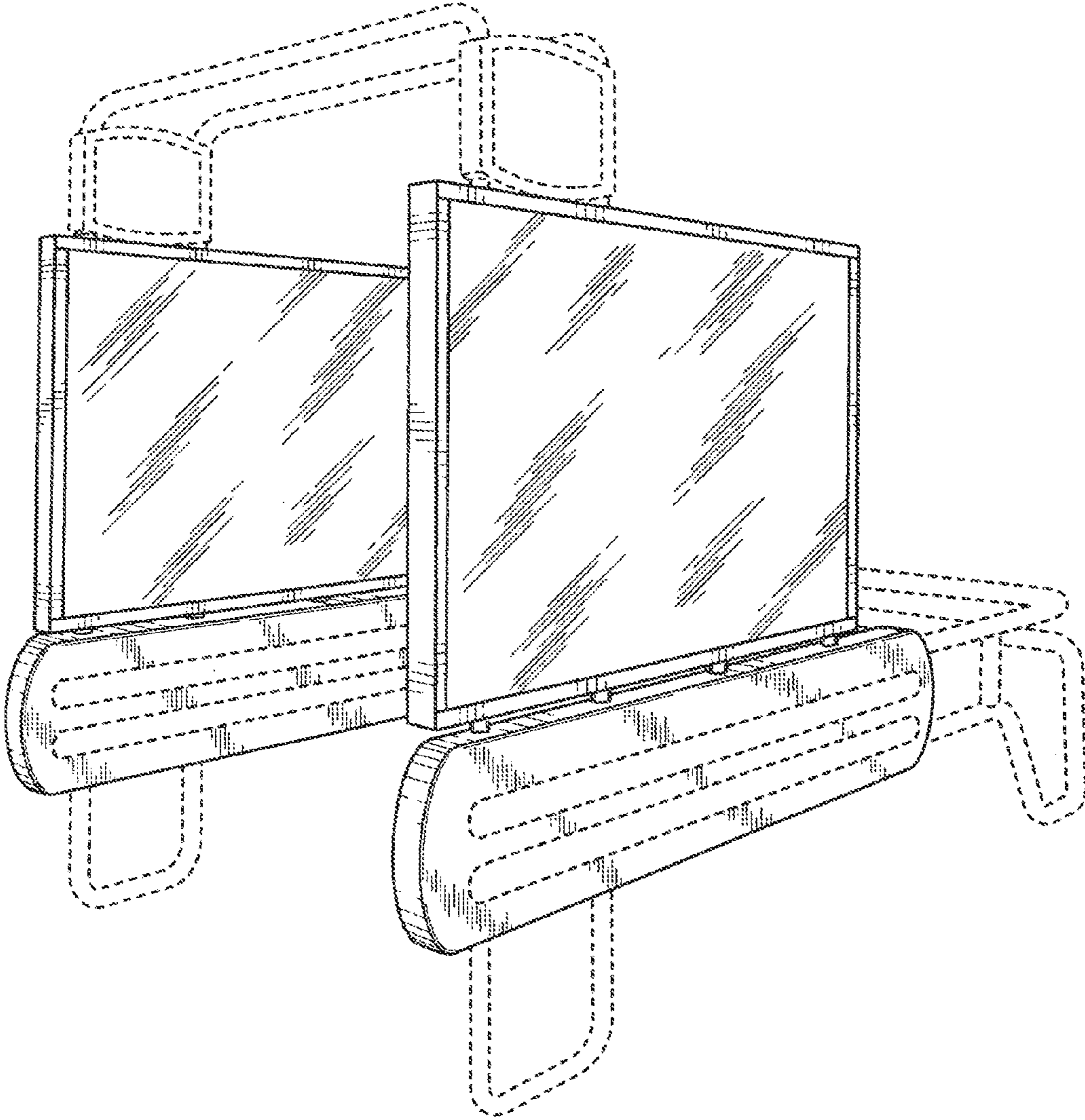


FIG. 6

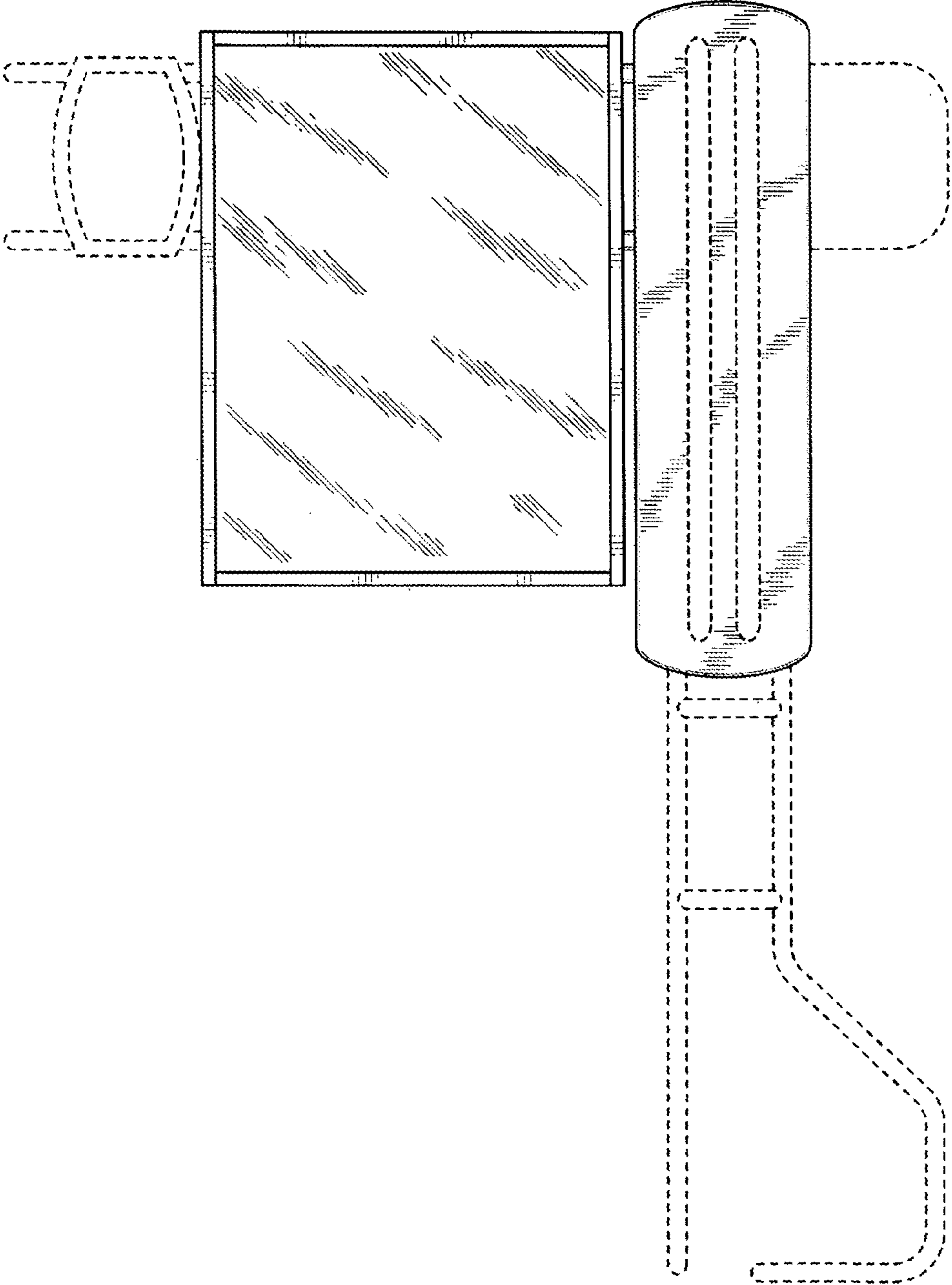


FIG. 7



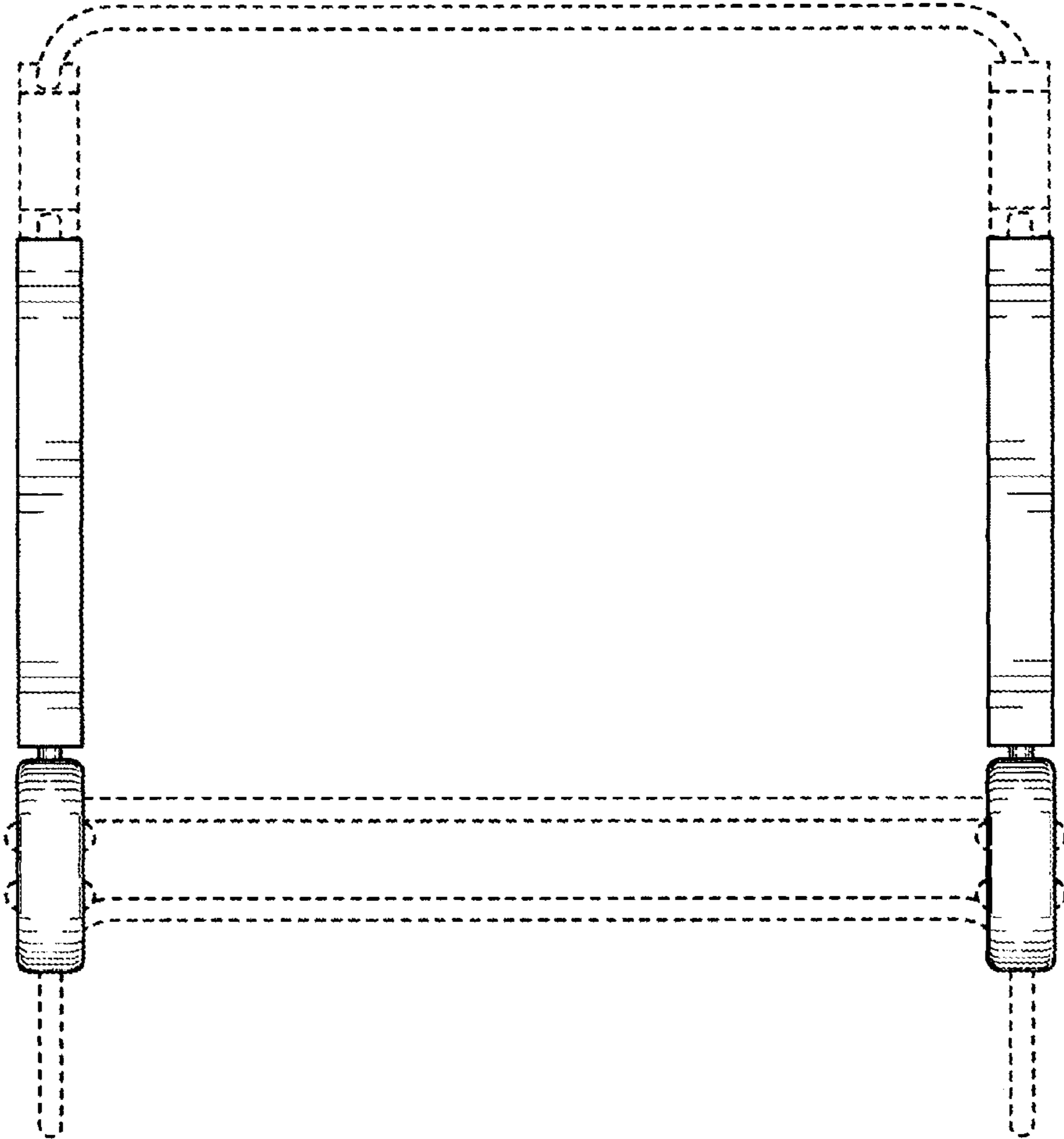


FIG. 8

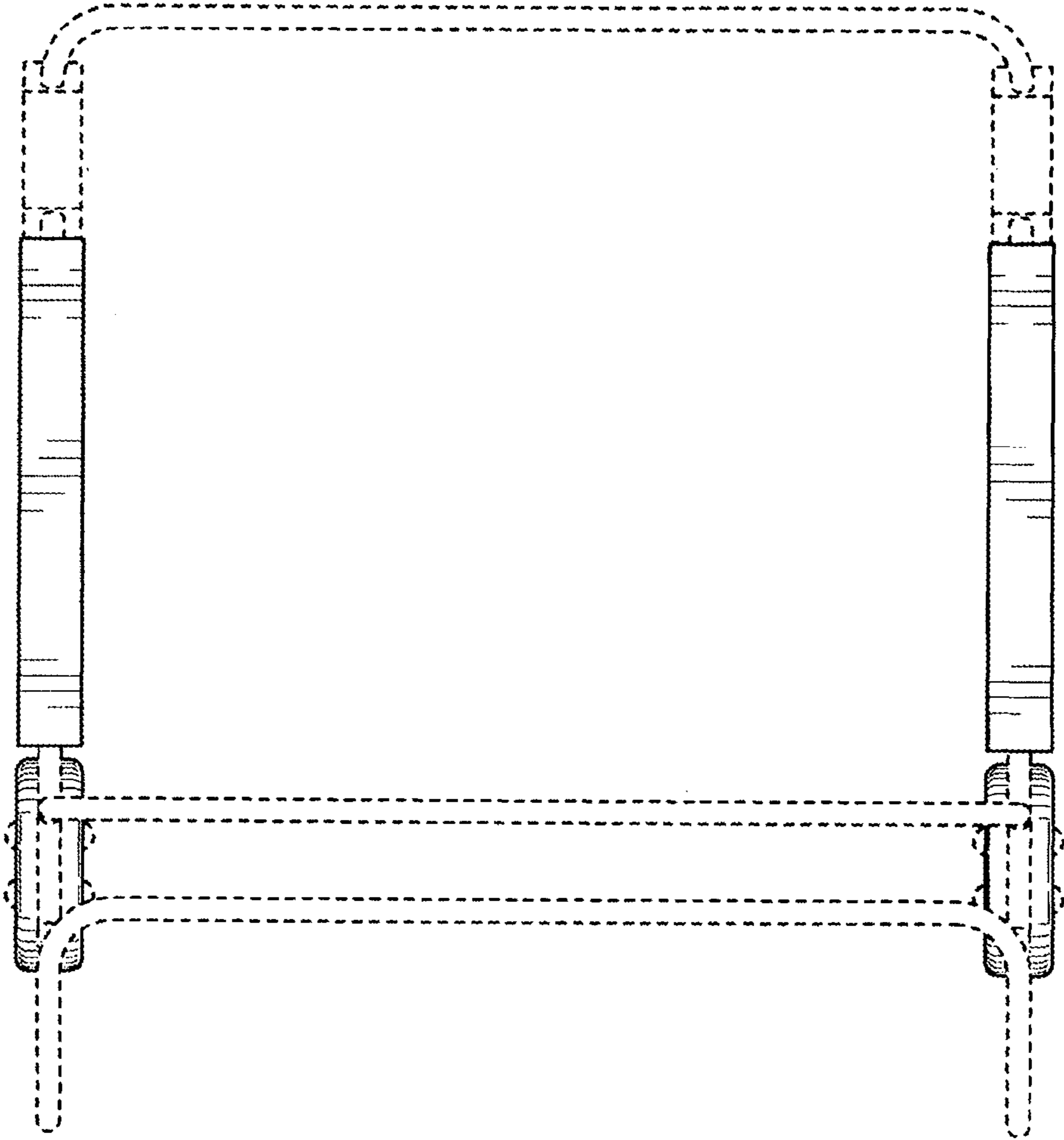


FIG. 9

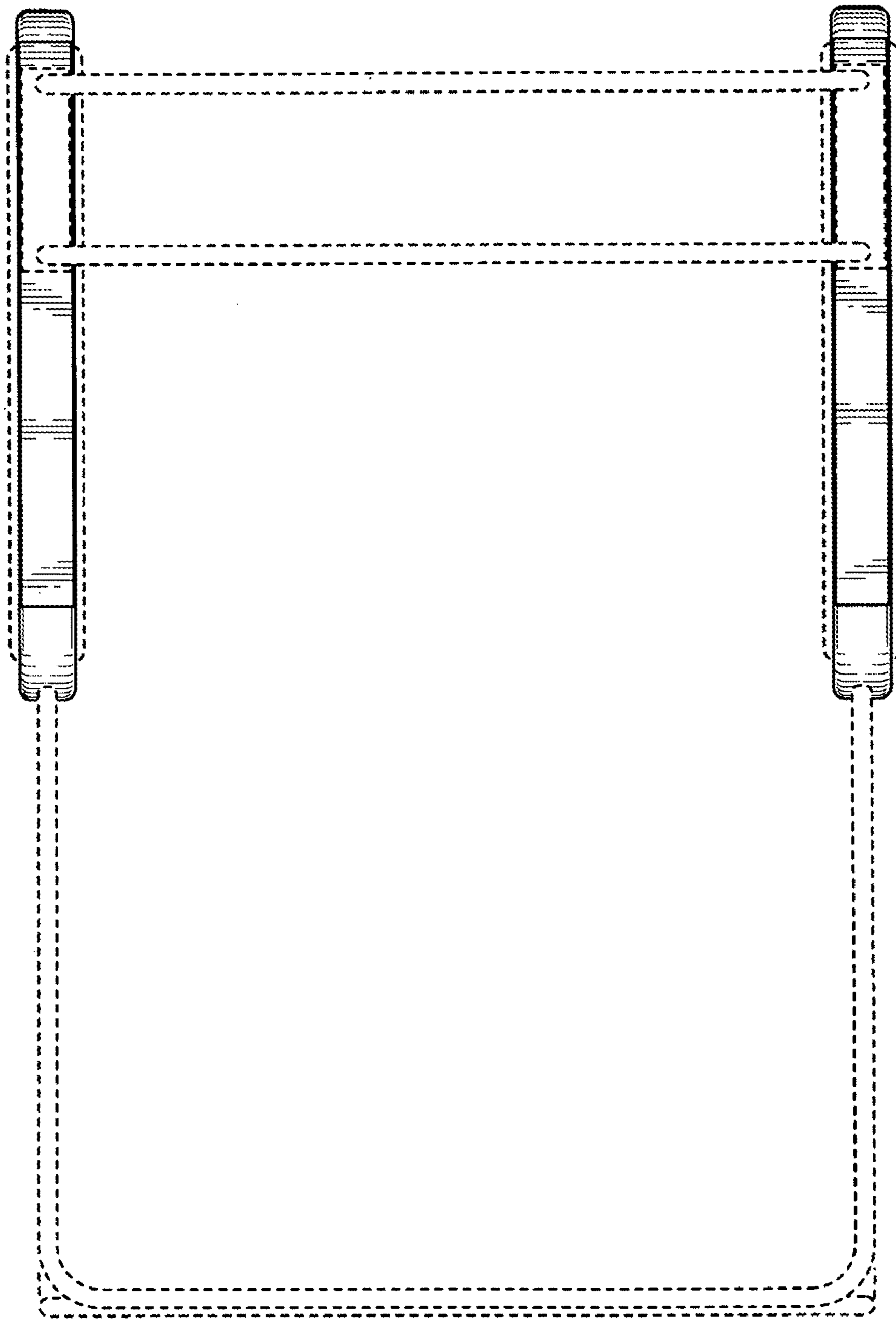


FIG. 10

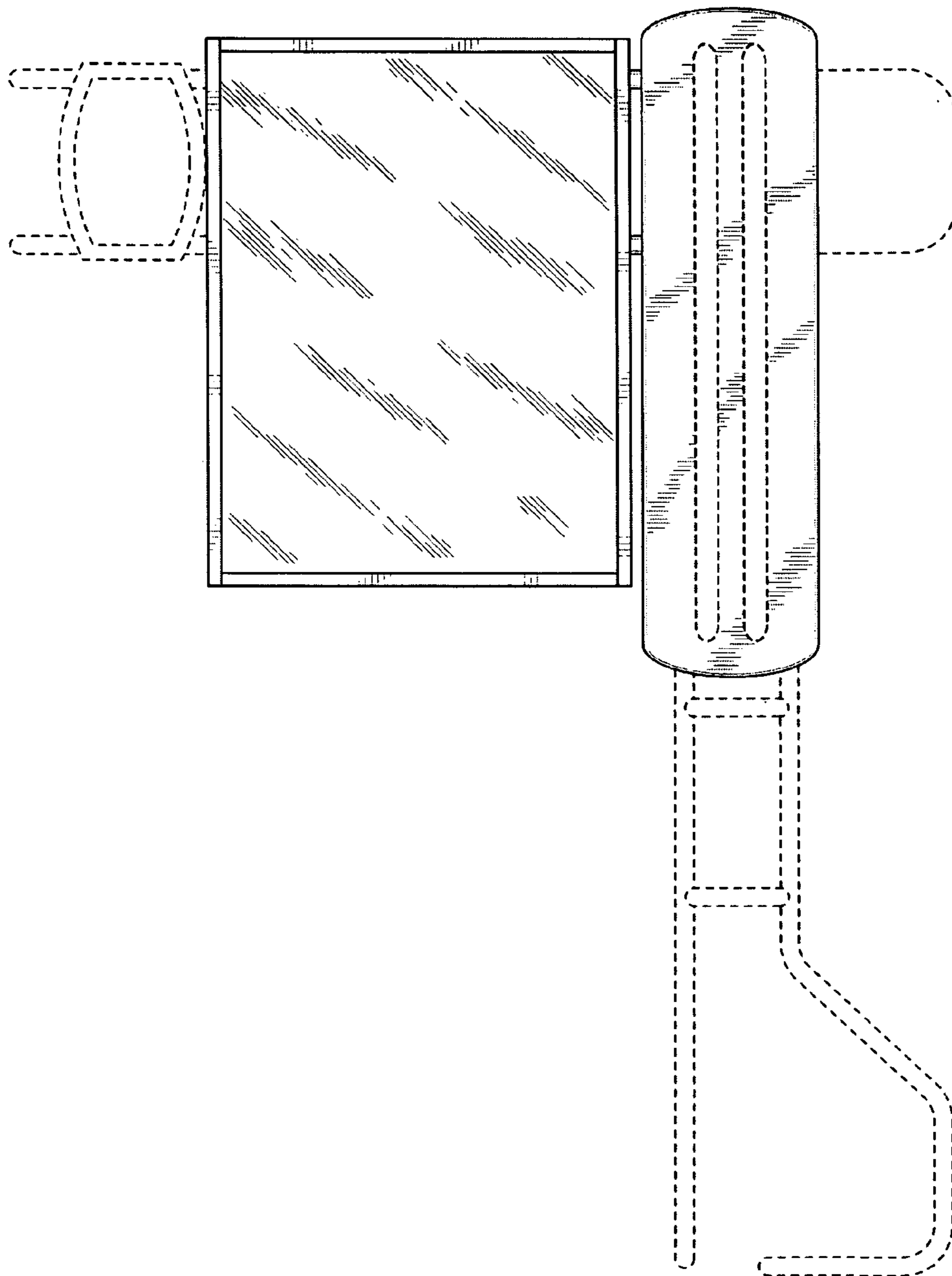


FIG. 11

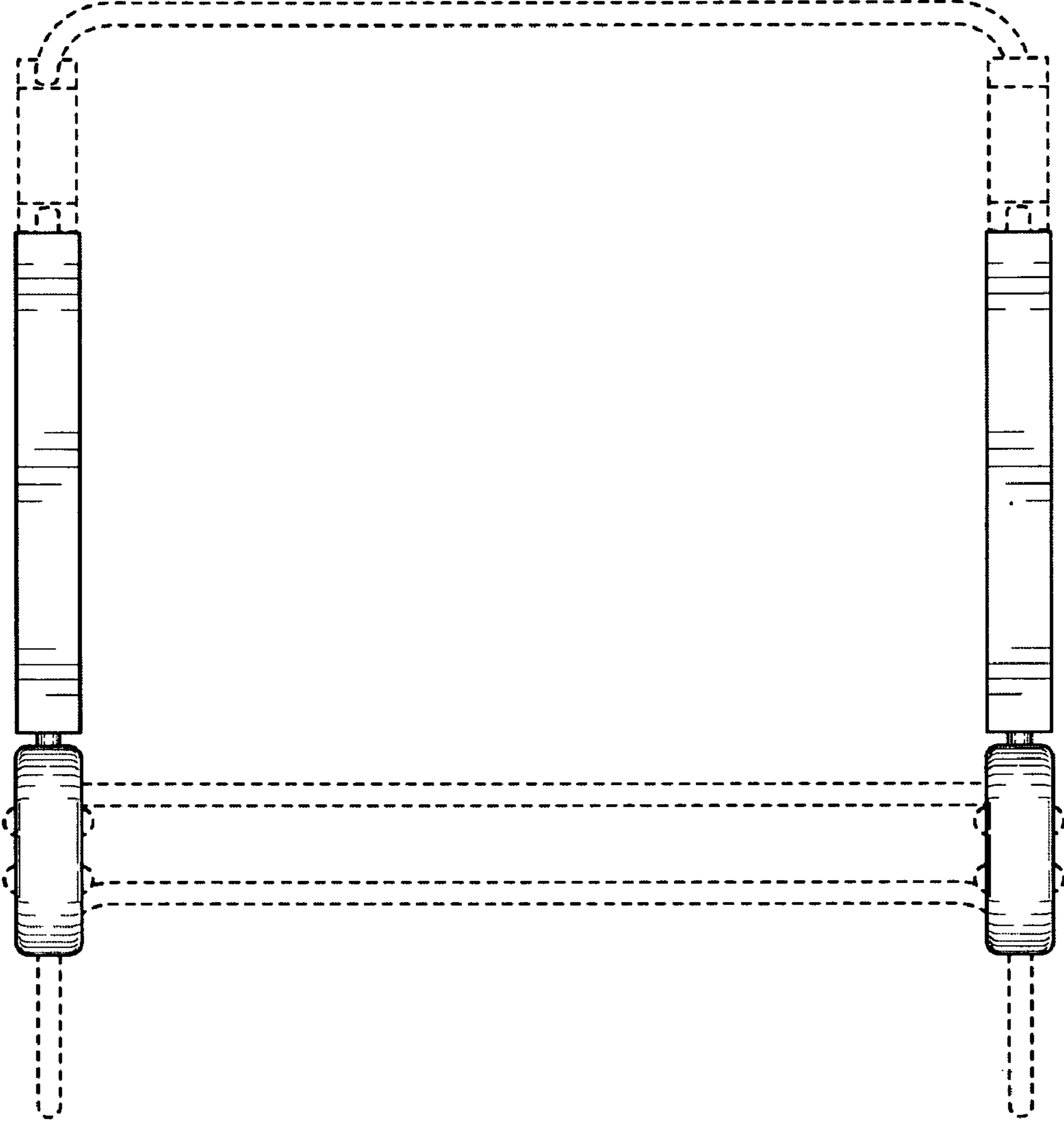


FIG. 12

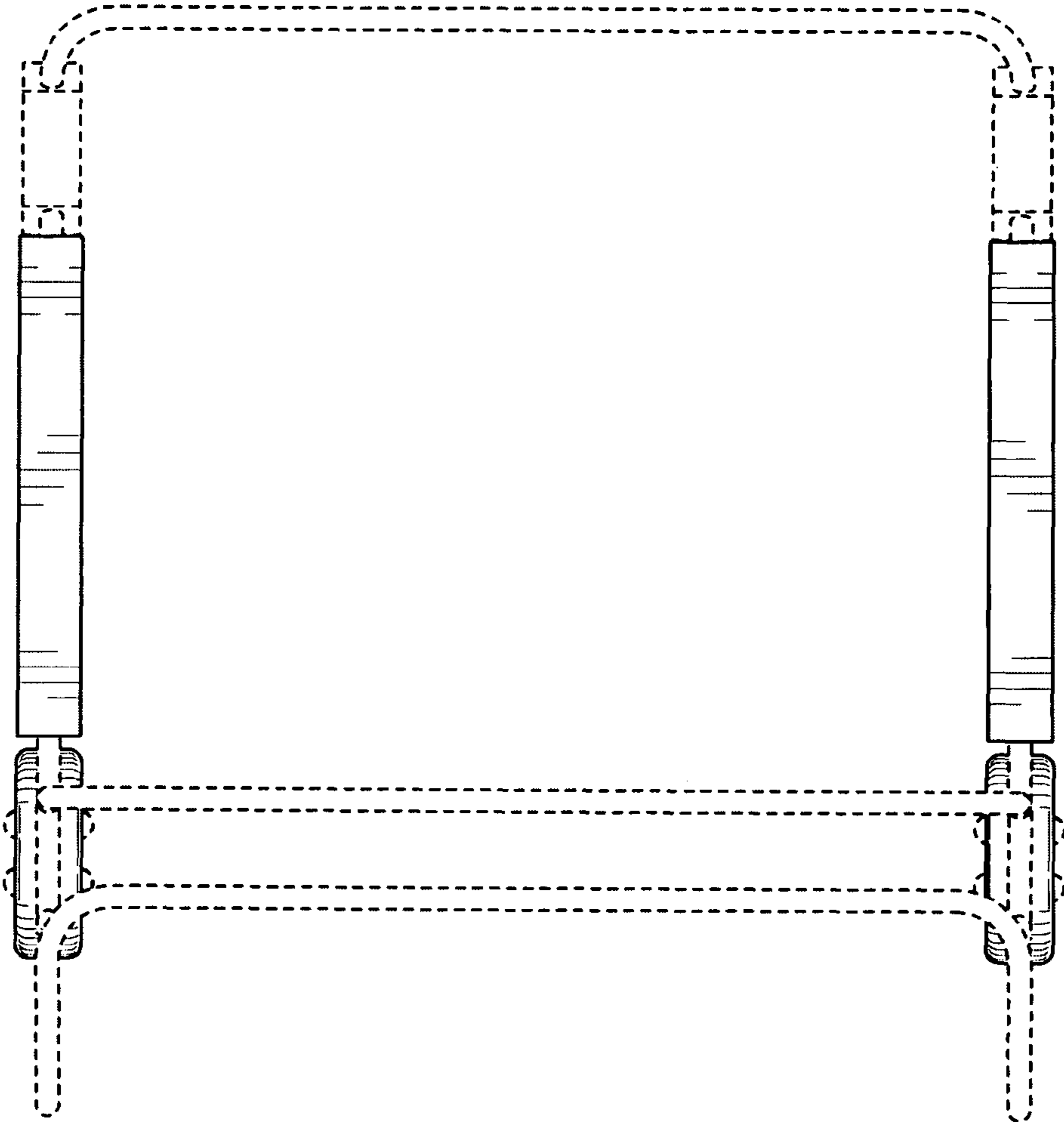


FIG. 13

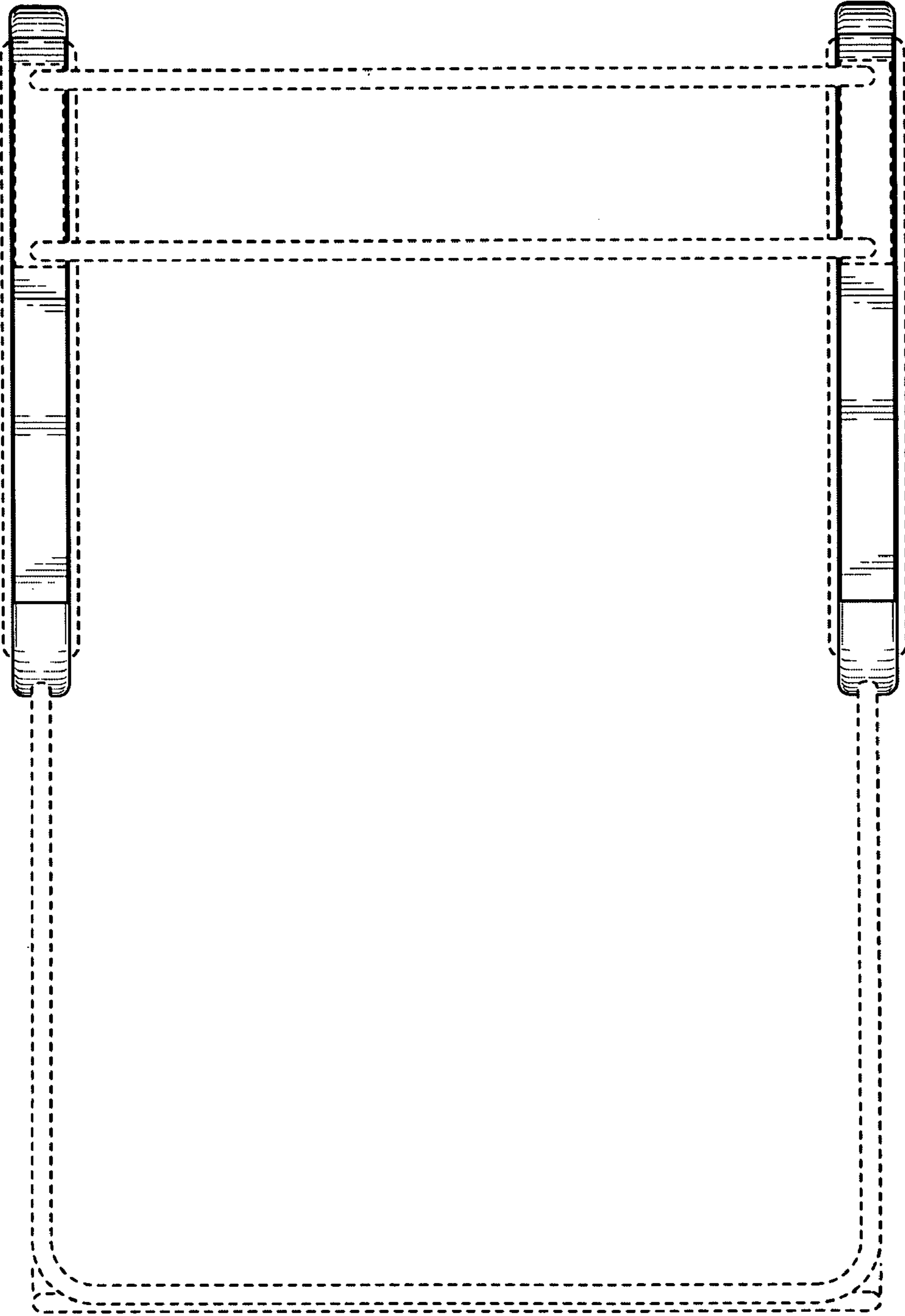


FIG. 14

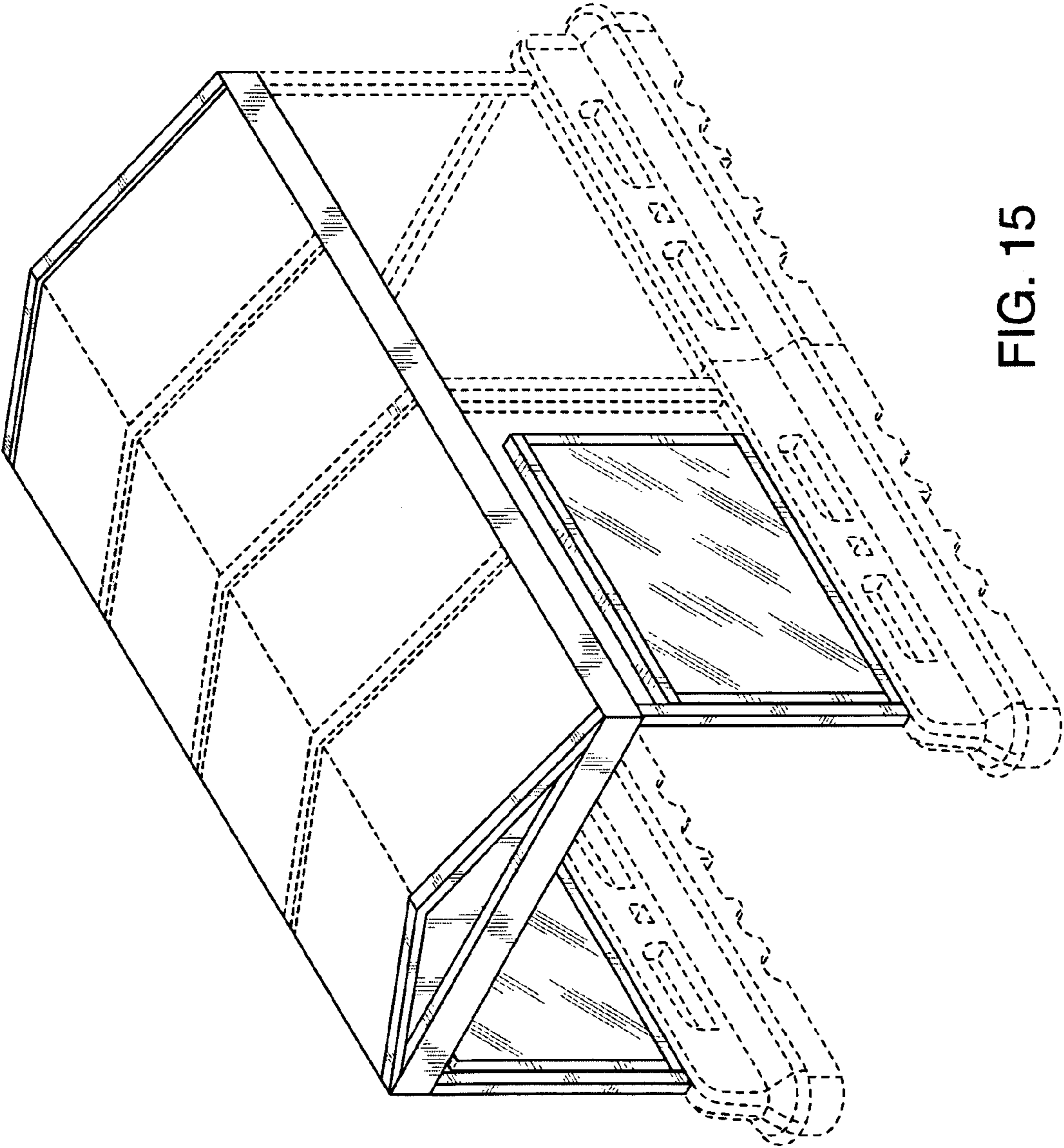


FIG. 15



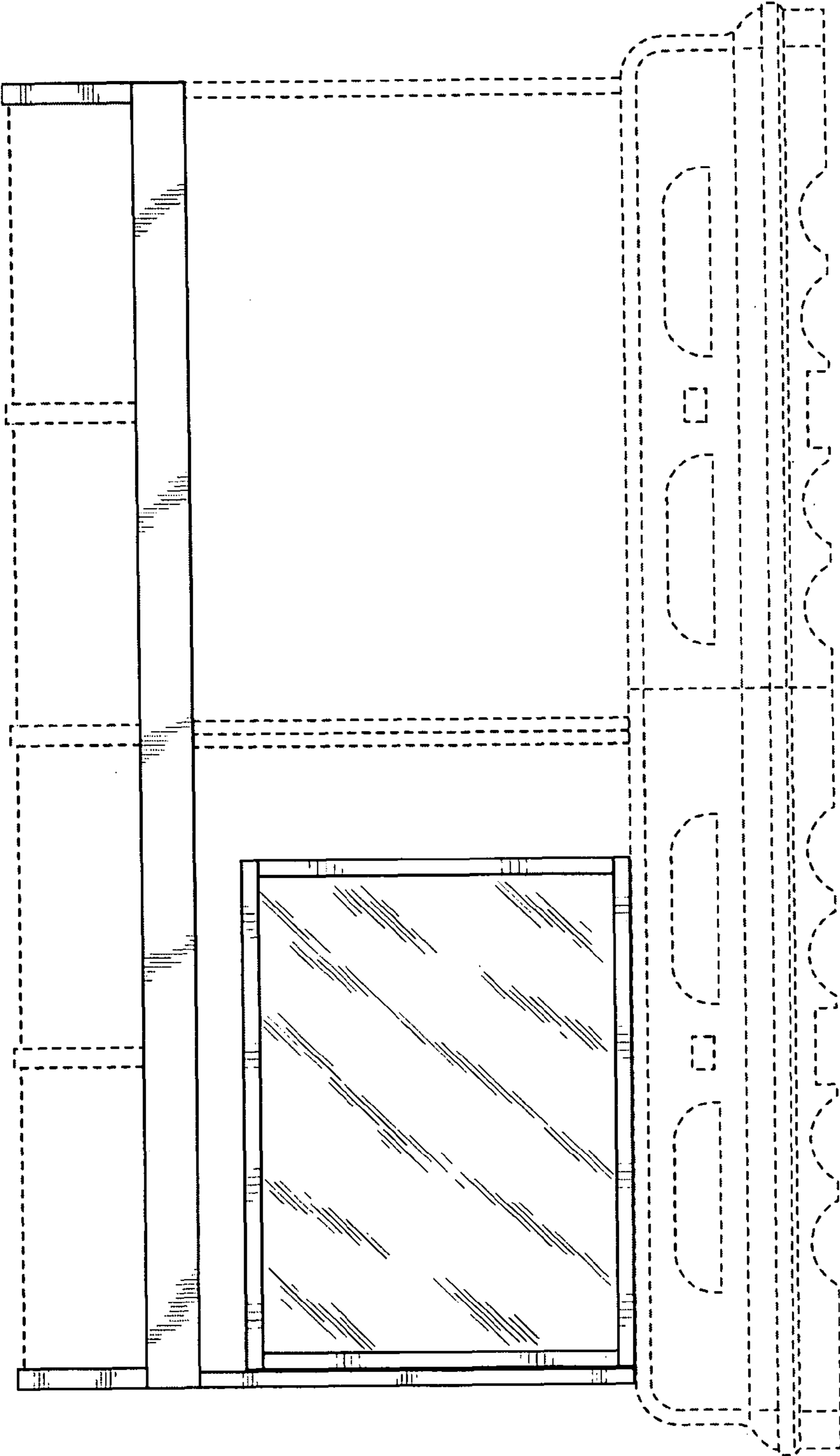


FIG. 16

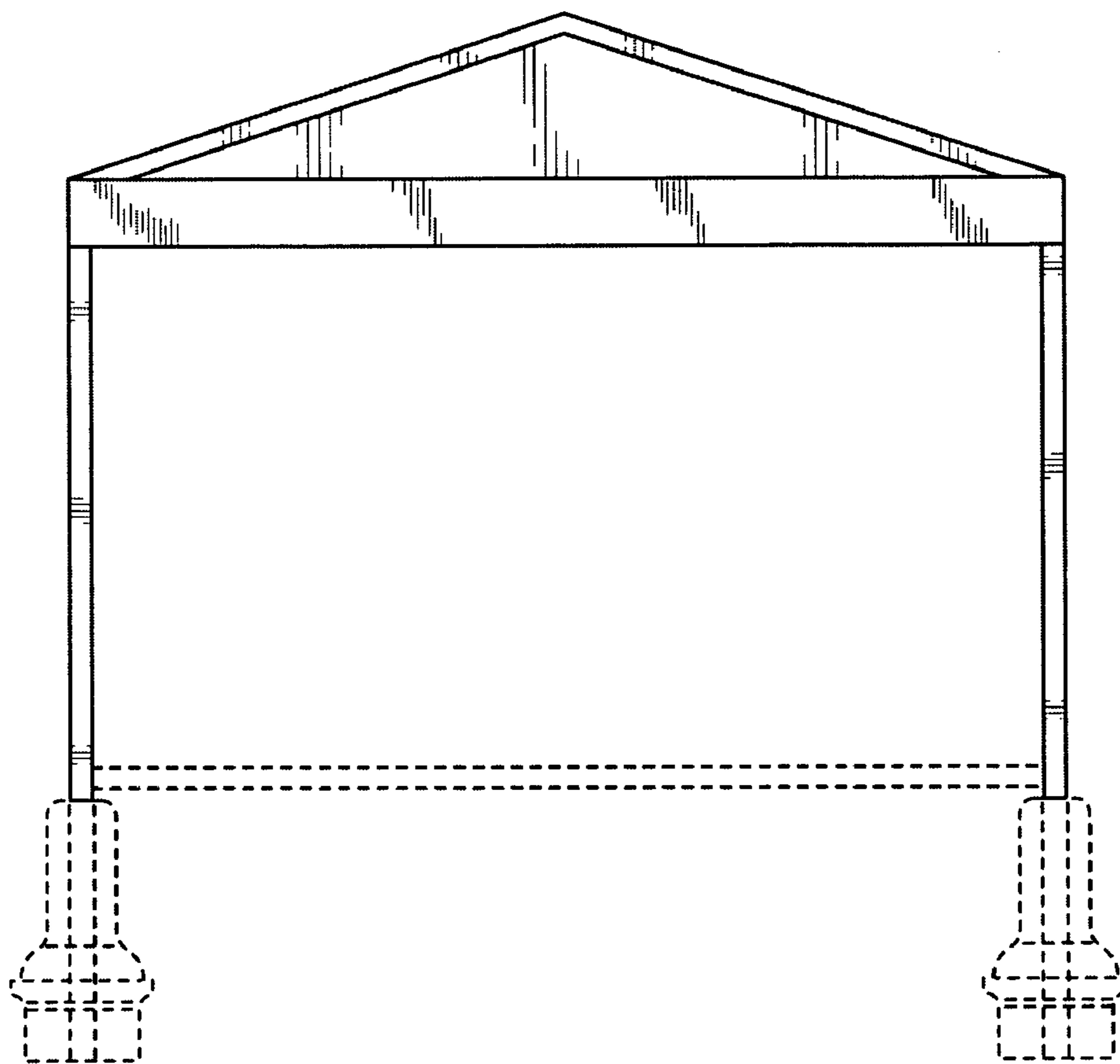


FIG. 17

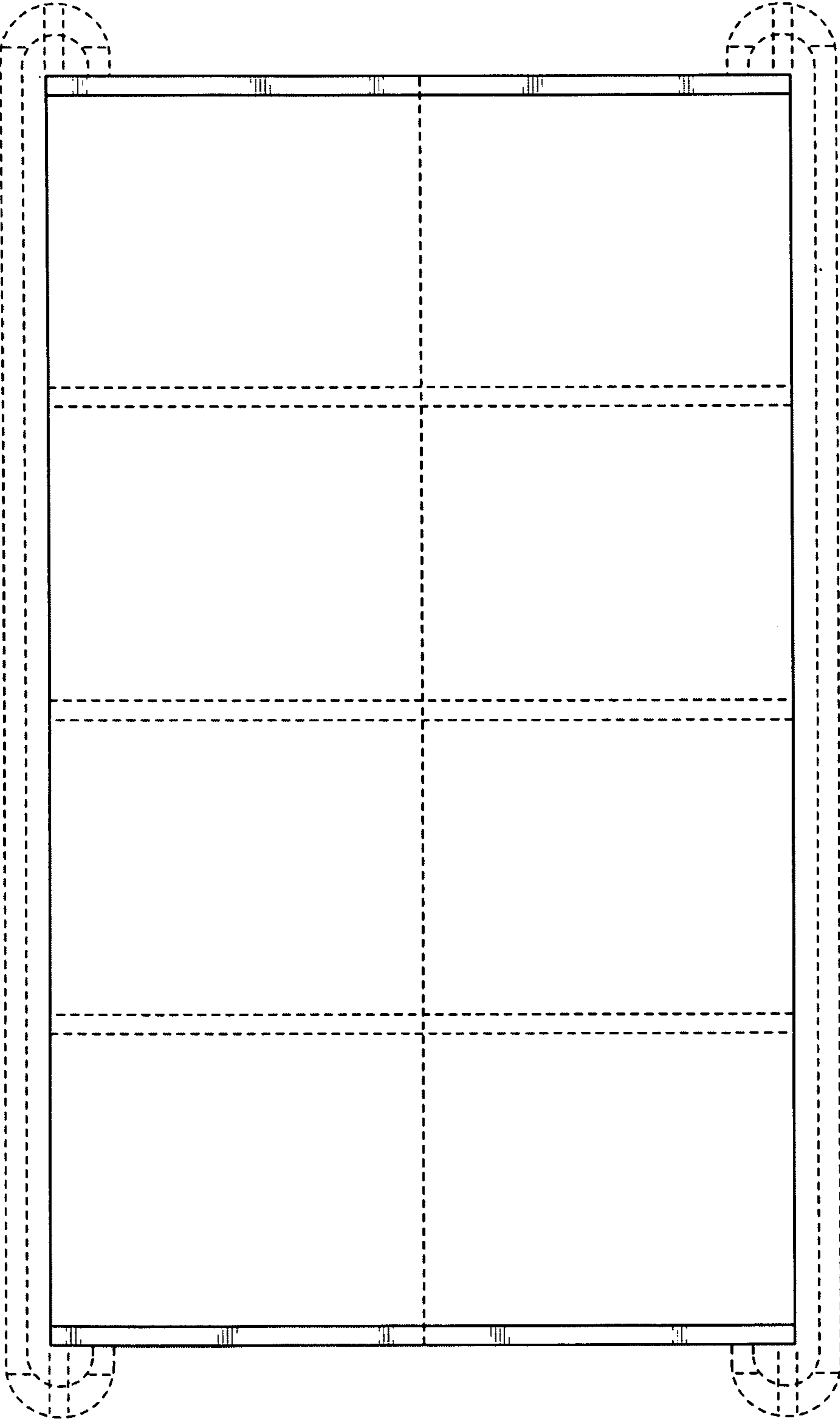


FIG. 18

UNITED STATES PATENT AND TRADEMARK OFFICE  
**CERTIFICATE OF CORRECTION**

PATENT NO. : D615,129 S  
APPLICATION NO. : 29/314381  
DATED : May 4, 2010  
INVENTOR(S) : Joseph Allen

Page 1 of 1

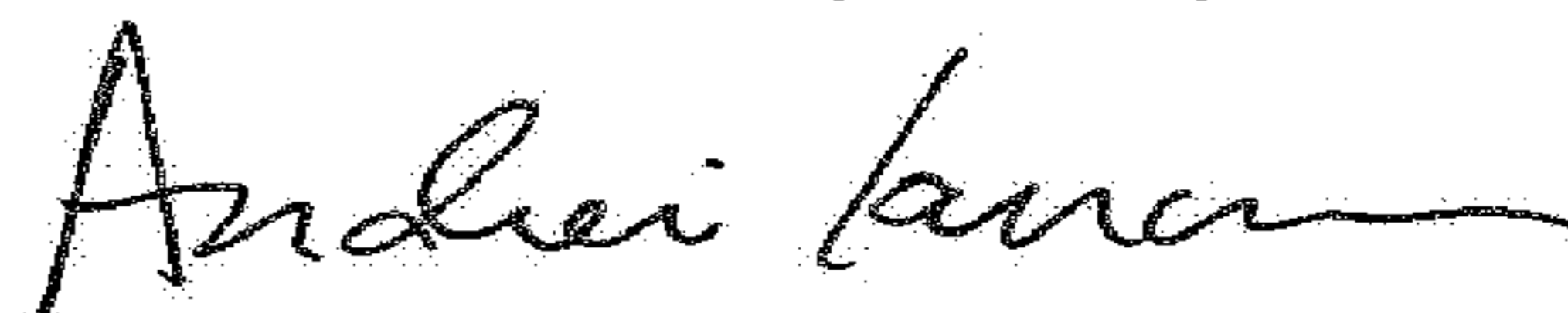
It is certified that error appears in the above-identified patent and that said Letters Patent is hereby corrected as shown below:

On the Title Page

(73) should read:

Assignee: Starlite Media, LLC, 825 Third Ave., New York, New York, 10022

Signed and Sealed this  
Seventeenth Day of July, 2018



Andrei Iancu  
*Director of the United States Patent and Trademark Office*