

US00D615125S

(12) **United States Design Patent**
Hyakumoto et al.

(10) **Patent No.:** **US D615,125 S**
(45) **Date of Patent:** **** May 4, 2010**

(54) **LABEL PRINTER**

(75) Inventors: **Yoshiteru Hyakumoto**, Tokyo (JP);
Shingo Izumi, Tokyo (JP); **Yo Nishibayashi**, Tokyo (JP)

(73) Assignees: **Kabushiki Kaisha Sato**, Tokyo (JP);
Kabushiki Kaisha Sato Chishiki Zaisan Kenkyusho, Tokyo (JP)

(**) Term: **14 Years**

(21) Appl. No.: **29/346,087**

(22) Filed: **Oct. 27, 2009**

Related U.S. Application Data

(62) Division of application No. 29/324,459, filed on Sep. 12, 2008, now Pat. No. Des. 607,503.

(51) **LOC (9) Cl.** **14-02**

(52) **U.S. Cl.** **D18/50; D18/19**

(58) **Field of Classification Search** D18/36-37,
D18/50, 54, 54.1, 55, 19; D14/420-425,
D14/463-470; 400/613, 613.1-613.4, 690.1-690.4,
400/691-694

See application file for complete search history.

(56) **References Cited**

U.S. PATENT DOCUMENTS

- D254,742 S * 4/1980 Hirabayashi et al. D18/54.1
- D273,202 S 3/1984 Oglander et al.
- 4,996,539 A 2/1991 Haraga et al.
- D324,065 S 2/1992 Tsukada

- D368,256 S 3/1996 Stropkay et al.
- D379,195 S * 5/1997 Stanton D18/50
- 6,572,290 B2 6/2003 McCleave et al.
- D487,479 S * 3/2004 Paulson et al. D18/50
- D525,283 S 7/2006 Nakaeda
- D528,587 S 9/2006 Nakaeda
- D558,817 S 1/2008 Katayama
- D579,043 S * 10/2008 Hattori et al. D18/50
- 2002/0070258 A1 6/2002 LeMoine et al.

* cited by examiner

Primary Examiner—Cathy Anne MacCormac

(74) *Attorney, Agent, or Firm*—Finnegan, Henderson, Farabow, Garrett & Dunner, LLP

(57) **CLAIM**

The ornamental design for a label printer, as shown and described.

DESCRIPTION

FIG. 1 is front perspective view of a label printer of our new design;

FIG. 2 is a rear perspective view thereof;

FIG. 3 is a front view thereof;

FIG. 4 is a rear view thereof;

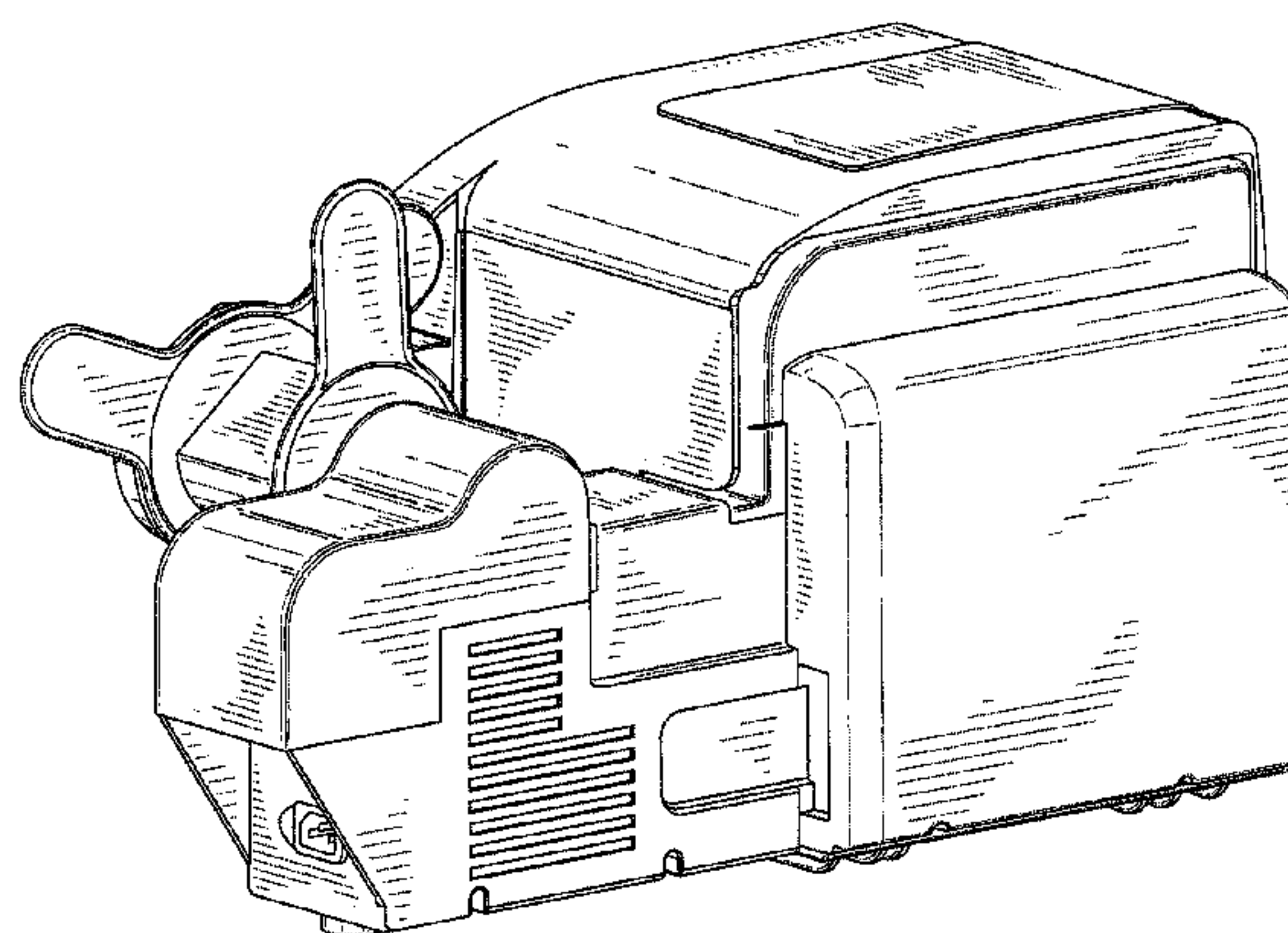
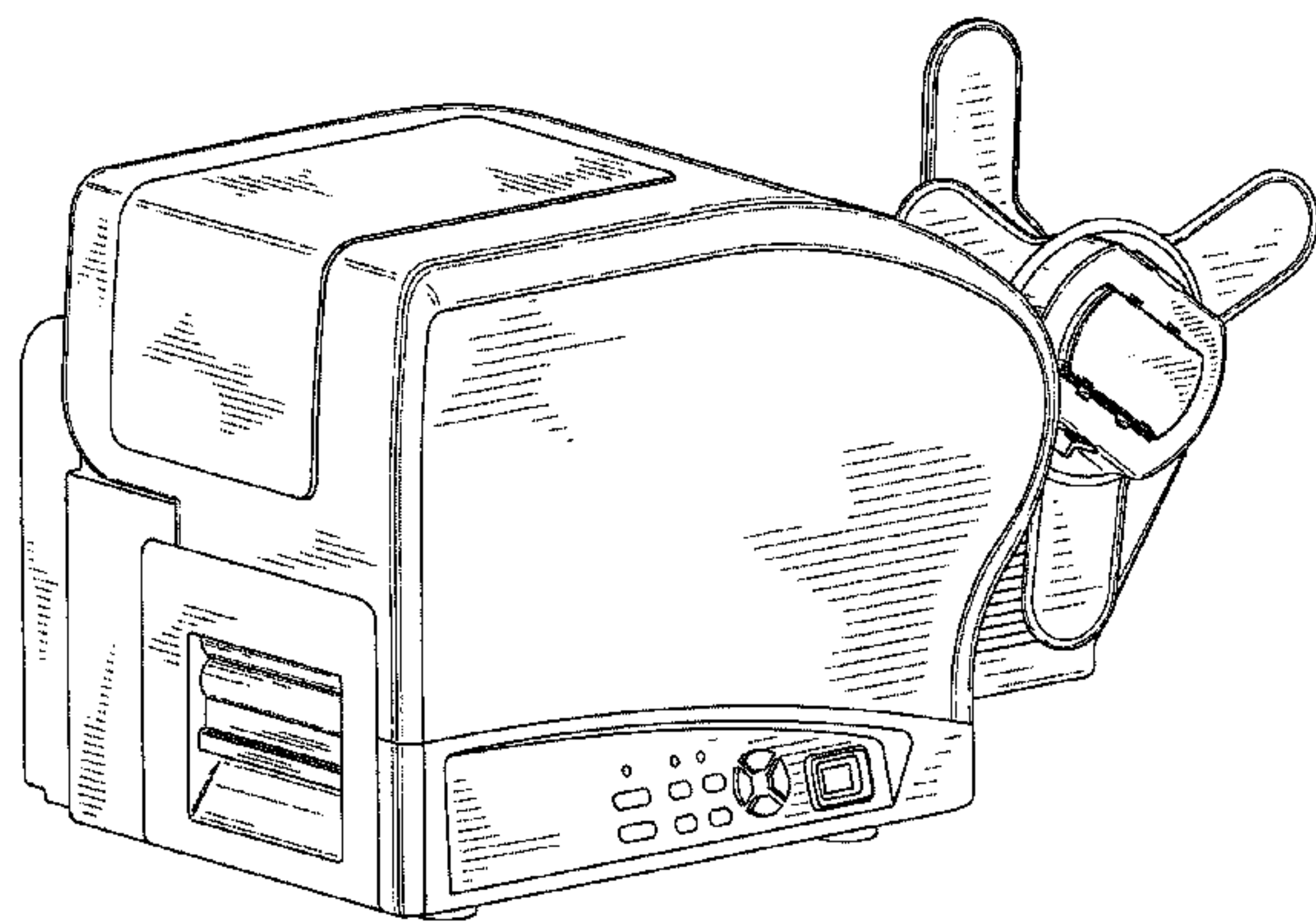
FIG. 5 is a right side thereof;

FIG. 6 is a left side view thereof; and,

FIG. 7 is a top plan view thereof.

The bottom view forms no part of the claimed design.

1 Claim, 7 Drawing Sheets



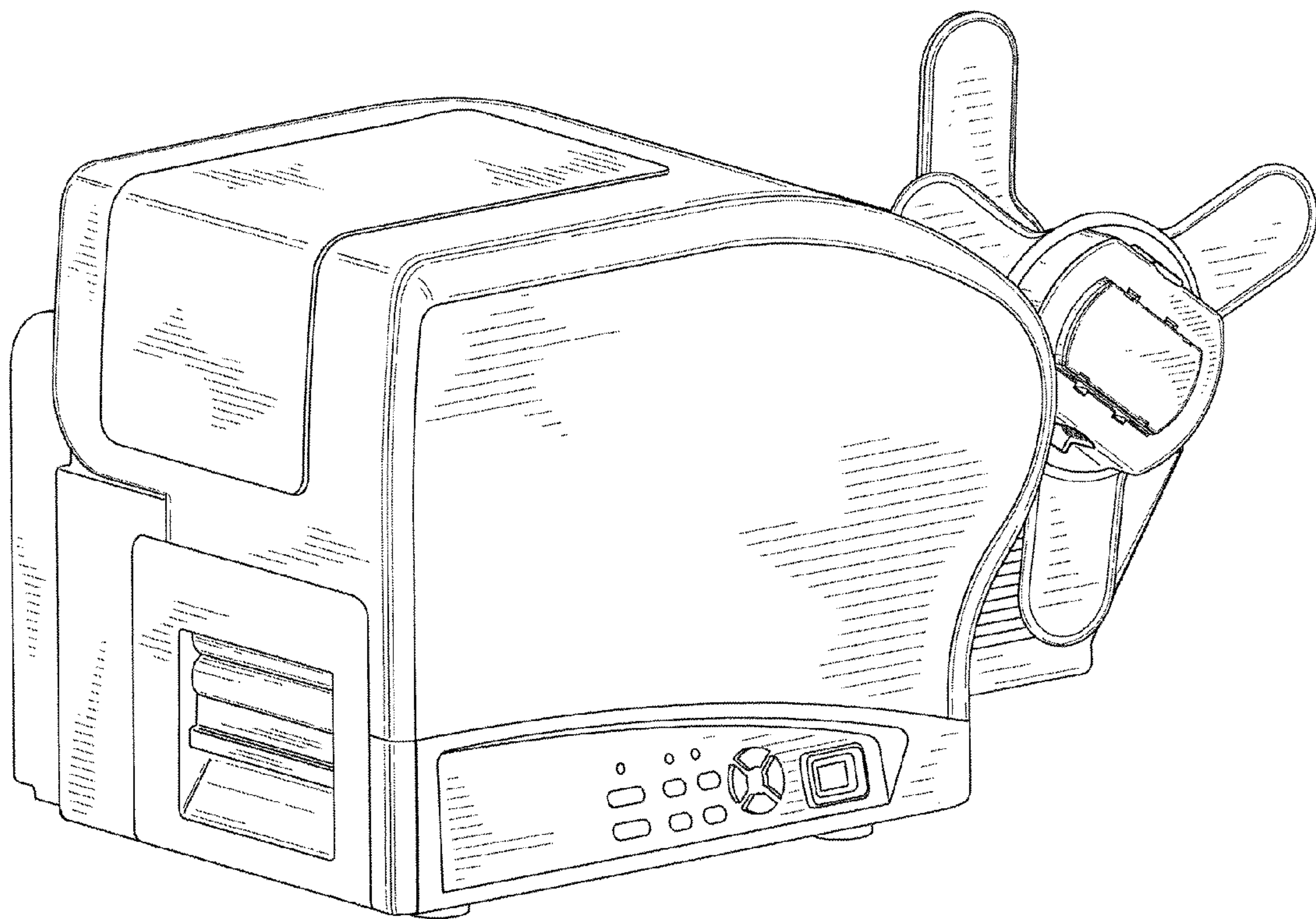


FIG. 1

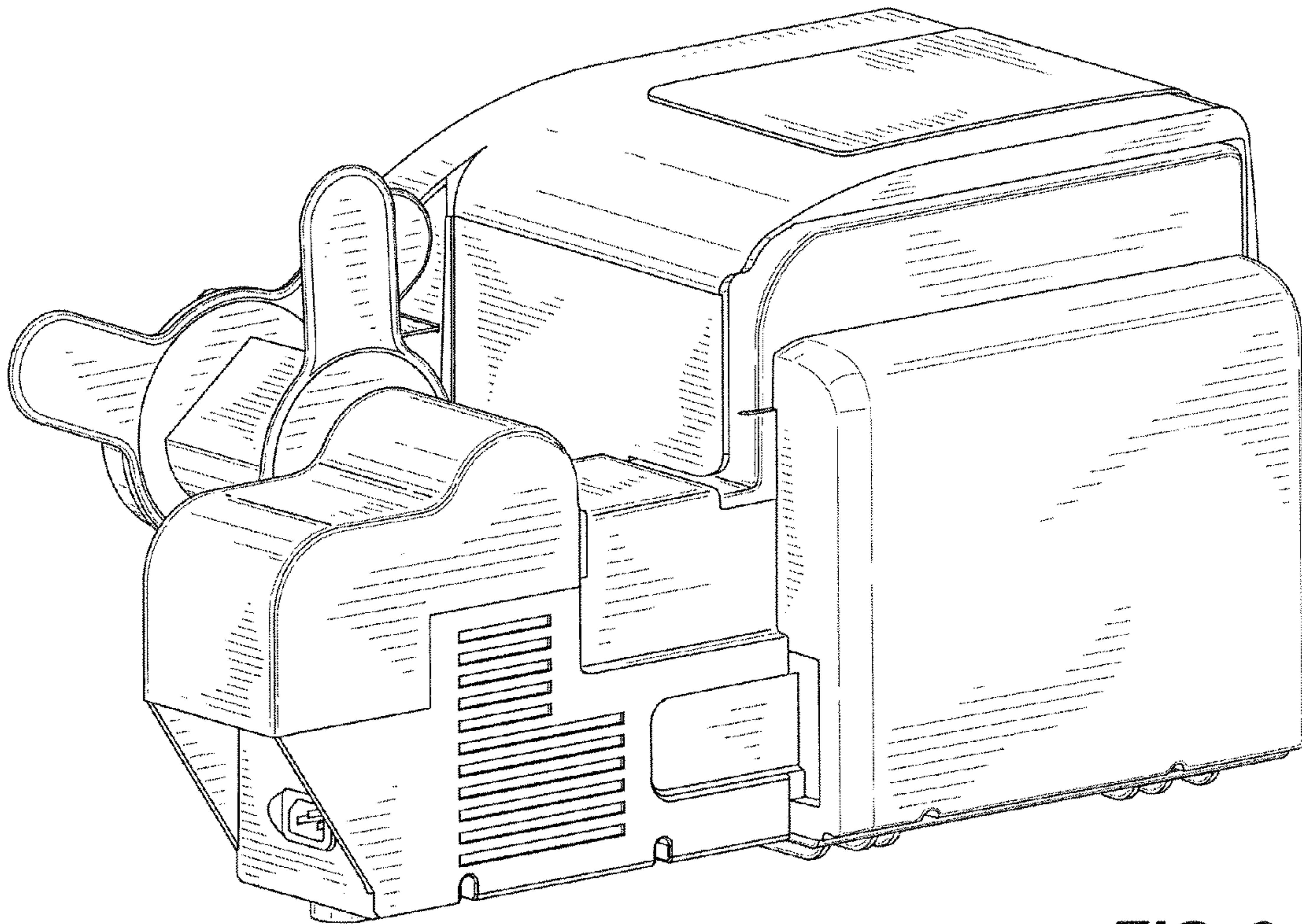


FIG. 2

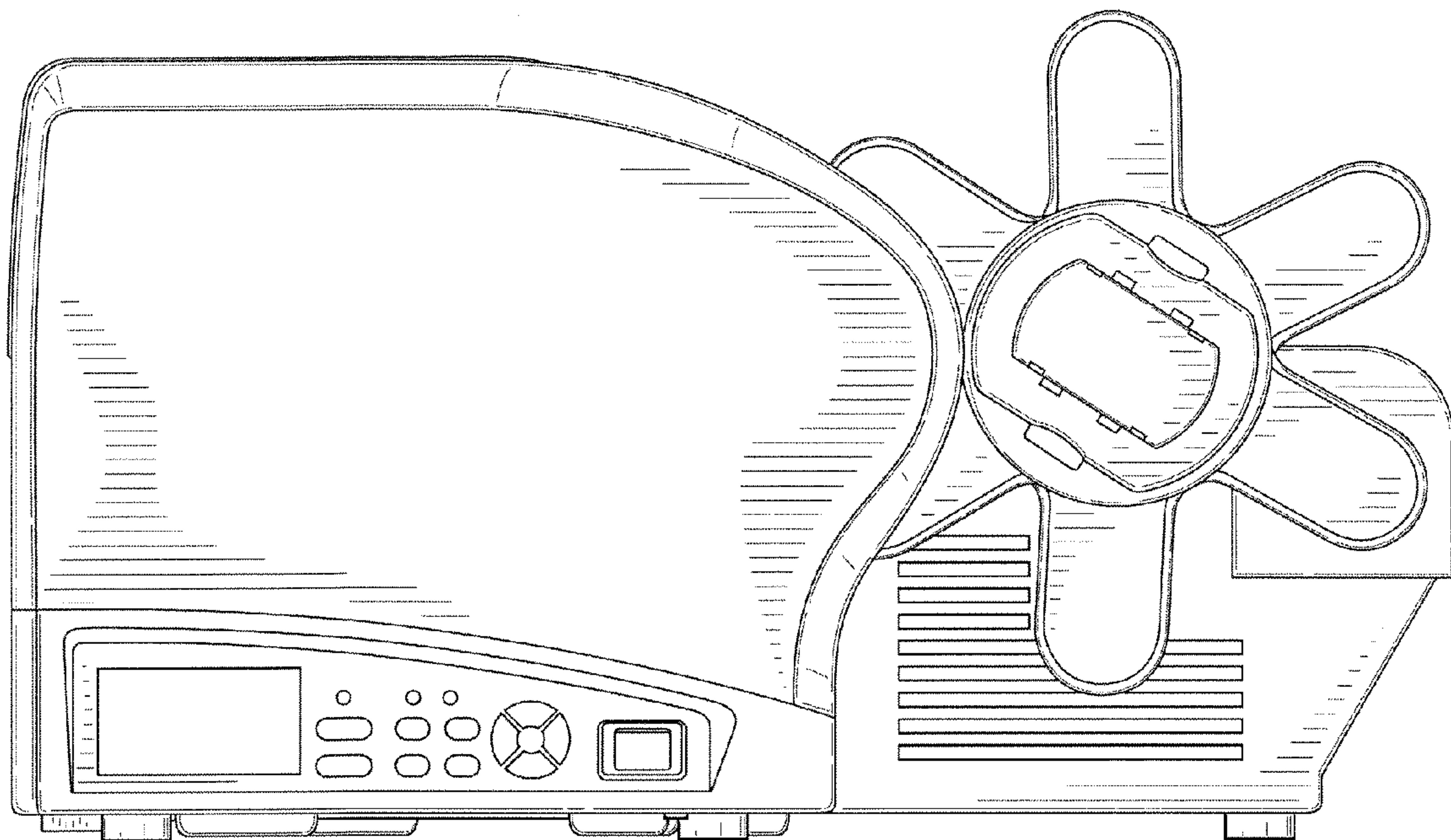


FIG. 3

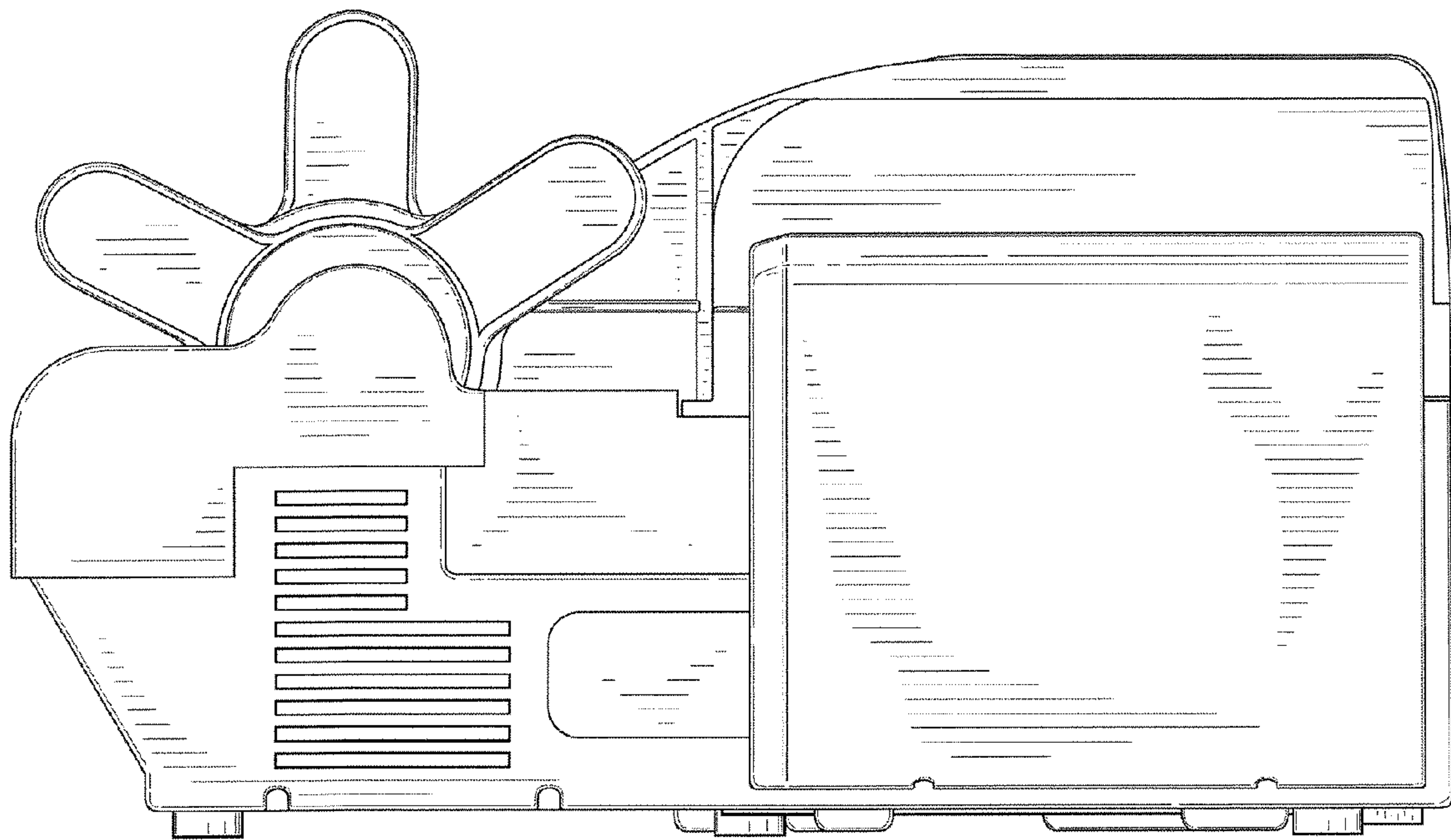


FIG. 4

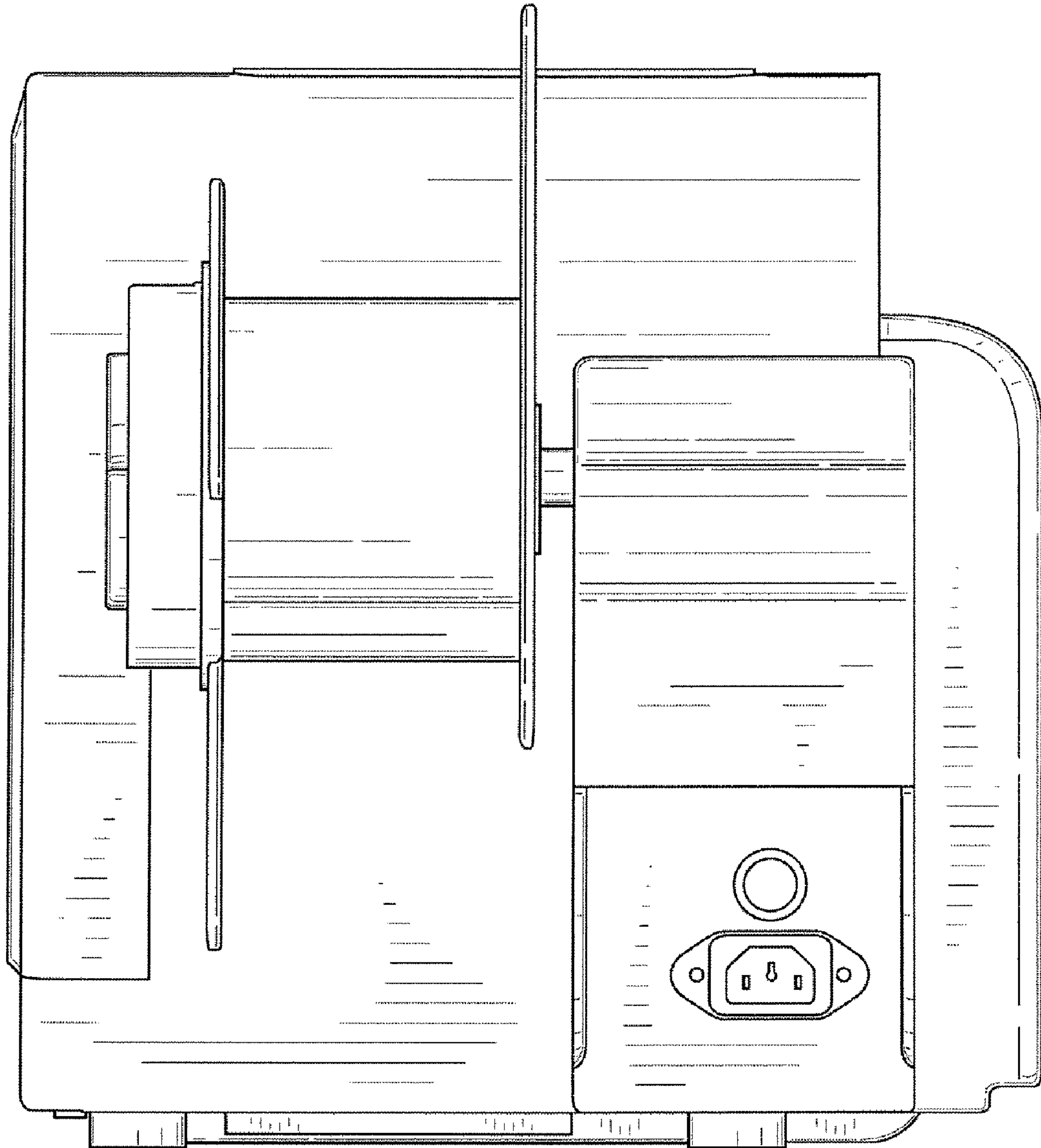


FIG. 5

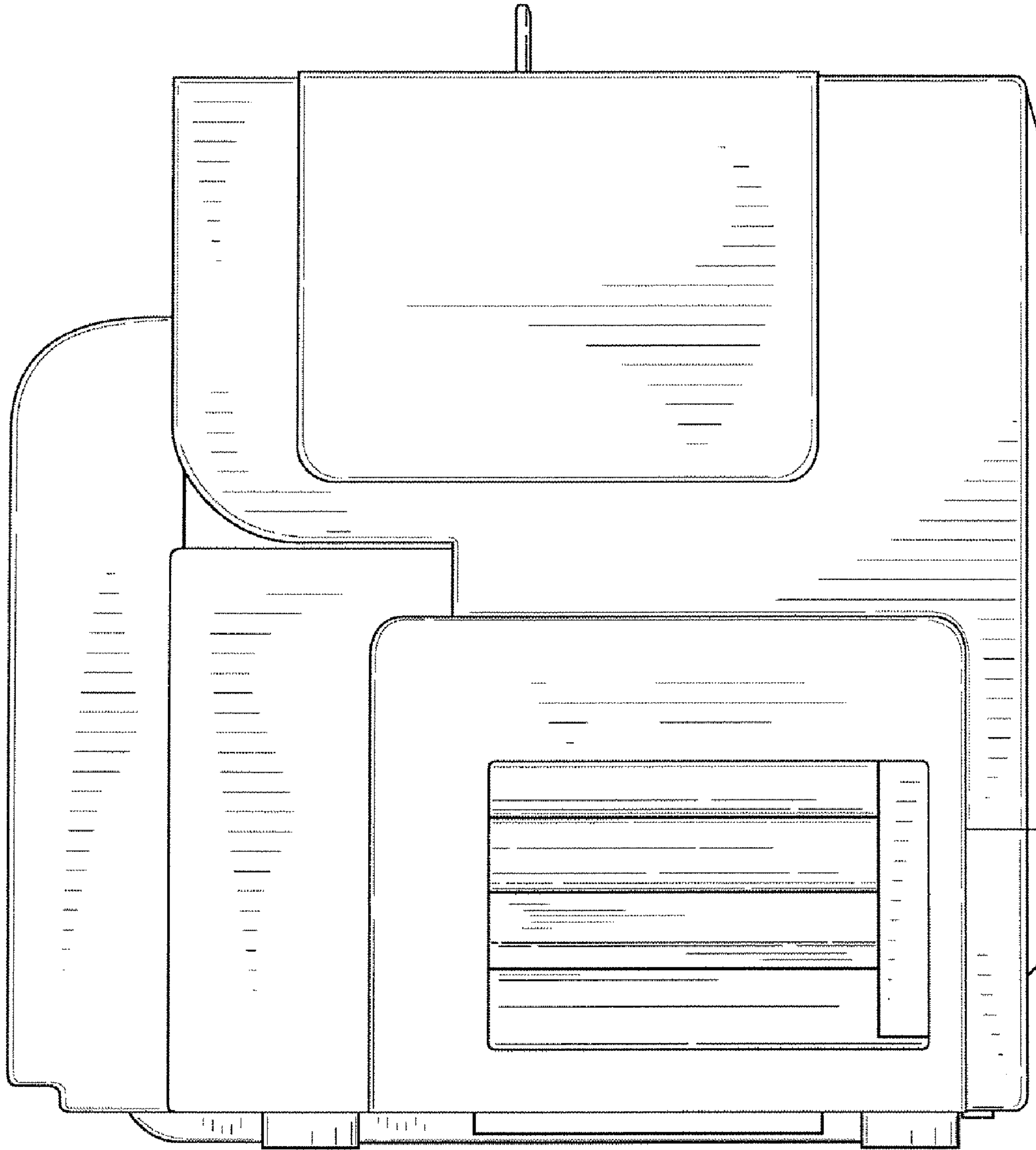


FIG. 6

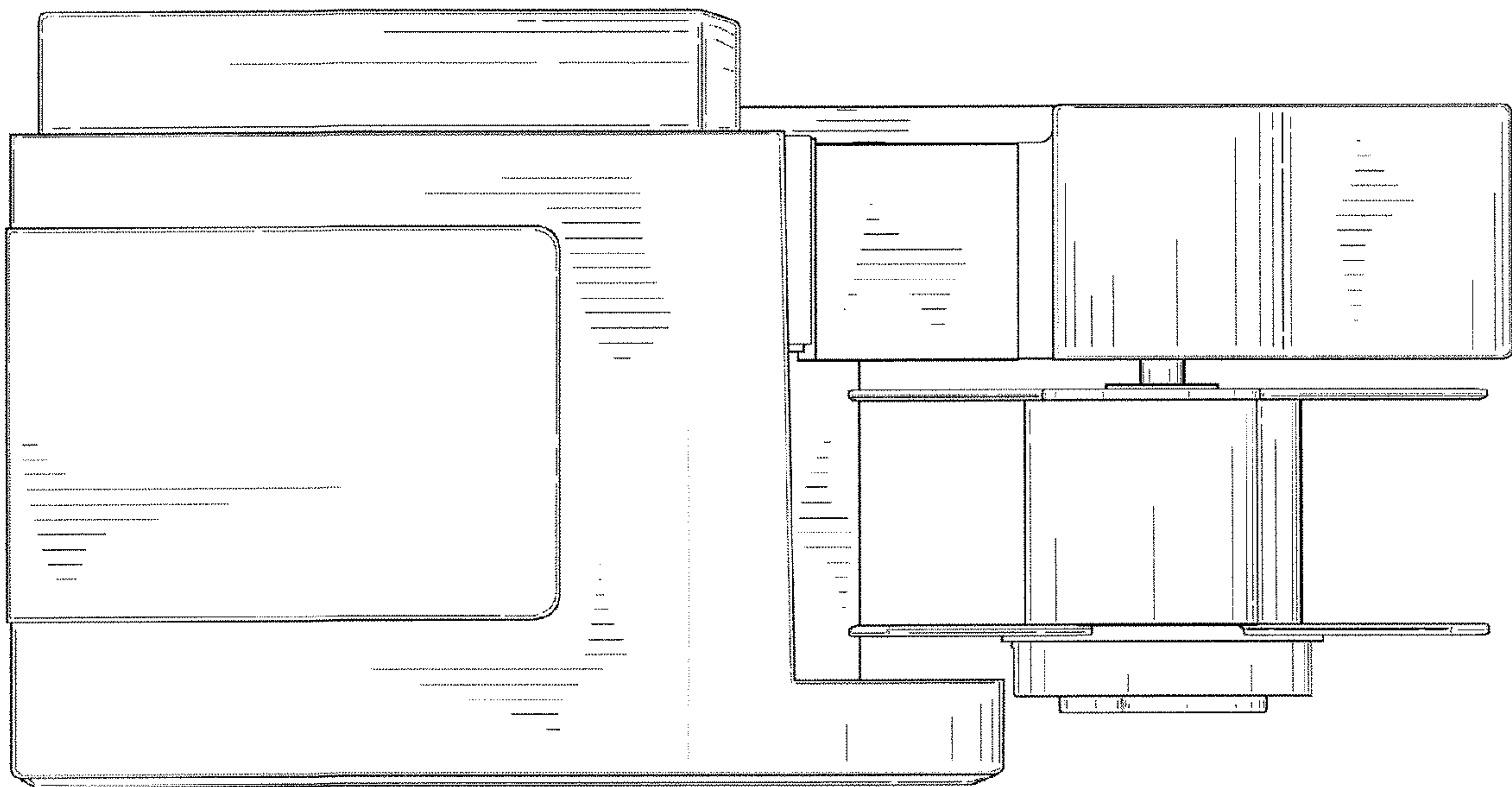


FIG. 7