



US00D615123S

(12) **United States Design Patent**
Graves

(10) **Patent No.:** **US D615,123 S**

(45) **Date of Patent:** **** May 4, 2010**

(54) **PAPER SHREDDER**

(76) Inventor: **Randy Gale Graves**, No. 320-C-1201,
Nandu, Hutang New Town, Changzhou
City, Jiangsu Province (CN)

(**) Term: **14 Years**

(21) Appl. No.: **29/346,896**

(22) Filed: **Nov. 9, 2009**

(51) **LOC (9) Cl.** **18-03**

(52) **U.S. Cl.** **D18/34.5**

(58) **Field of Classification Search** D18/34.1-34.9;
241/100, 236, 101.78, 36; 83/613, 614, 623,
83/485, 57-68; 30/294, 296.1, 275.4, 276
See application file for complete search history.

(56) **References Cited**

U.S. PATENT DOCUMENTS

D532,445 S *	11/2006	Lo	D18/34.5
D548,272 S *	8/2007	Joachim et al.	D18/34.5
D551,696 S *	9/2007	Joachim et al.	D18/34.5
D551,698 S *	9/2007	Shuhui et al.	D18/34.5
D583,859 S *	12/2008	Holderfield et al.	D18/34.9
D591,335 S *	4/2009	Holderfield et al.	D18/34.9
7,513,448 B2 *	4/2009	Ko	241/100

D598,048 S *	8/2009	Holderfield et al.	D18/34.9
D600,740 S *	9/2009	Sued et al.	D18/34.5
D602,073 S *	10/2009	Holderfield et al.	D18/34.5
D602,074 S *	10/2009	Holderfield et al.	D18/34.5
D602,518 S *	10/2009	Holderfield et al.	D18/34.9
D604,763 S *	11/2009	Holderfield et al.	D18/34.9
7,635,102 B2 *	12/2009	Matlin et al.	241/100

* cited by examiner

Primary Examiner—Charles A Rademaker

(57) **CLAIM**

The ornamental design for a paper shredder, as shown and described.

DESCRIPTION

FIG. 1 is a front elevational view of a paper shredder showing my new design;

FIG. 2 is a rear elevational view thereof;

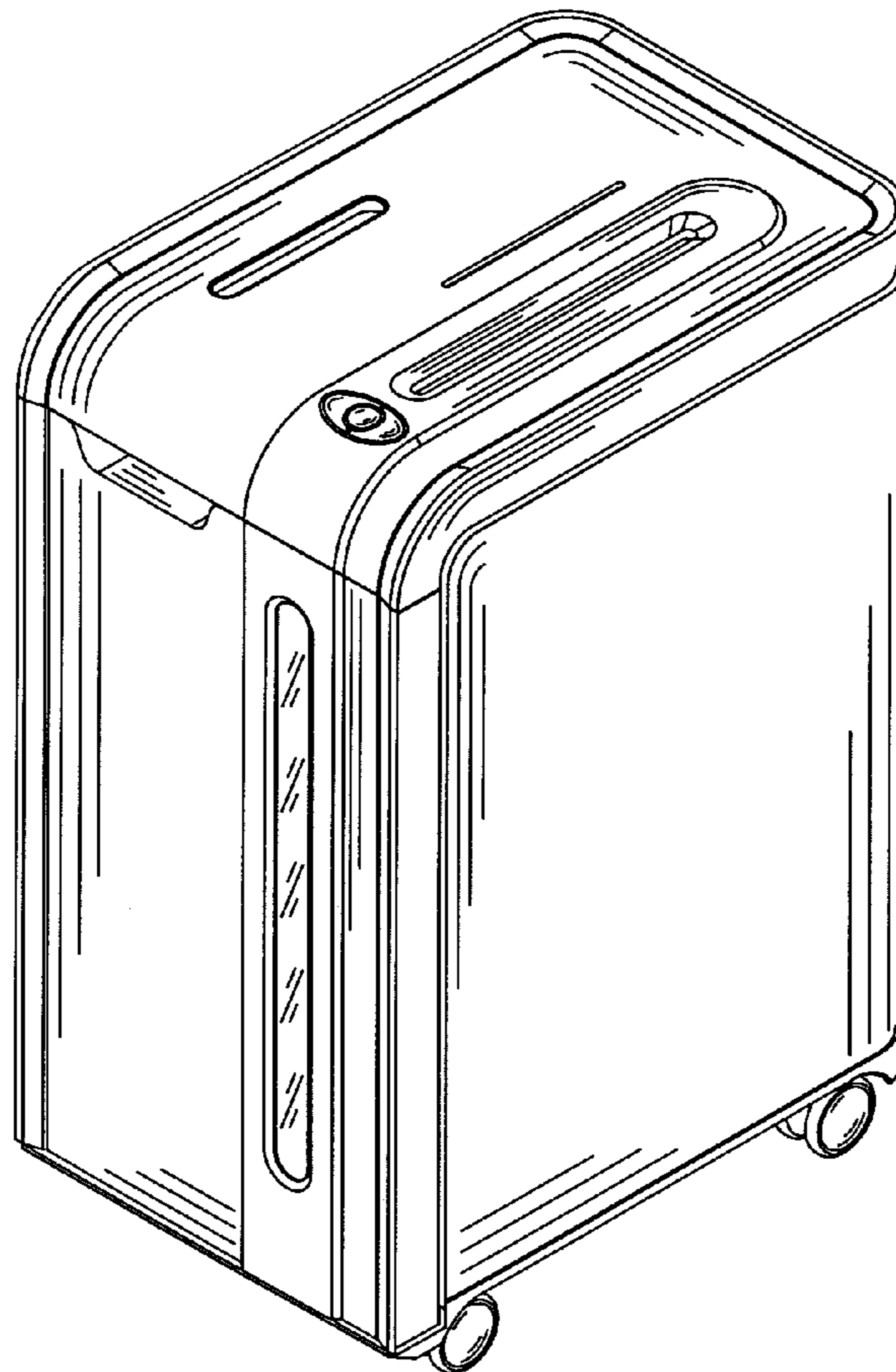
FIG. 3 is a left side view thereof; the right side view being a mirror image of the left side view;

FIG. 4 is a top plan view thereof;

FIG. 5 is a bottom plan view thereof; and,

FIG. 6 is a perspective view thereof.

1 Claim, 6 Drawing Sheets



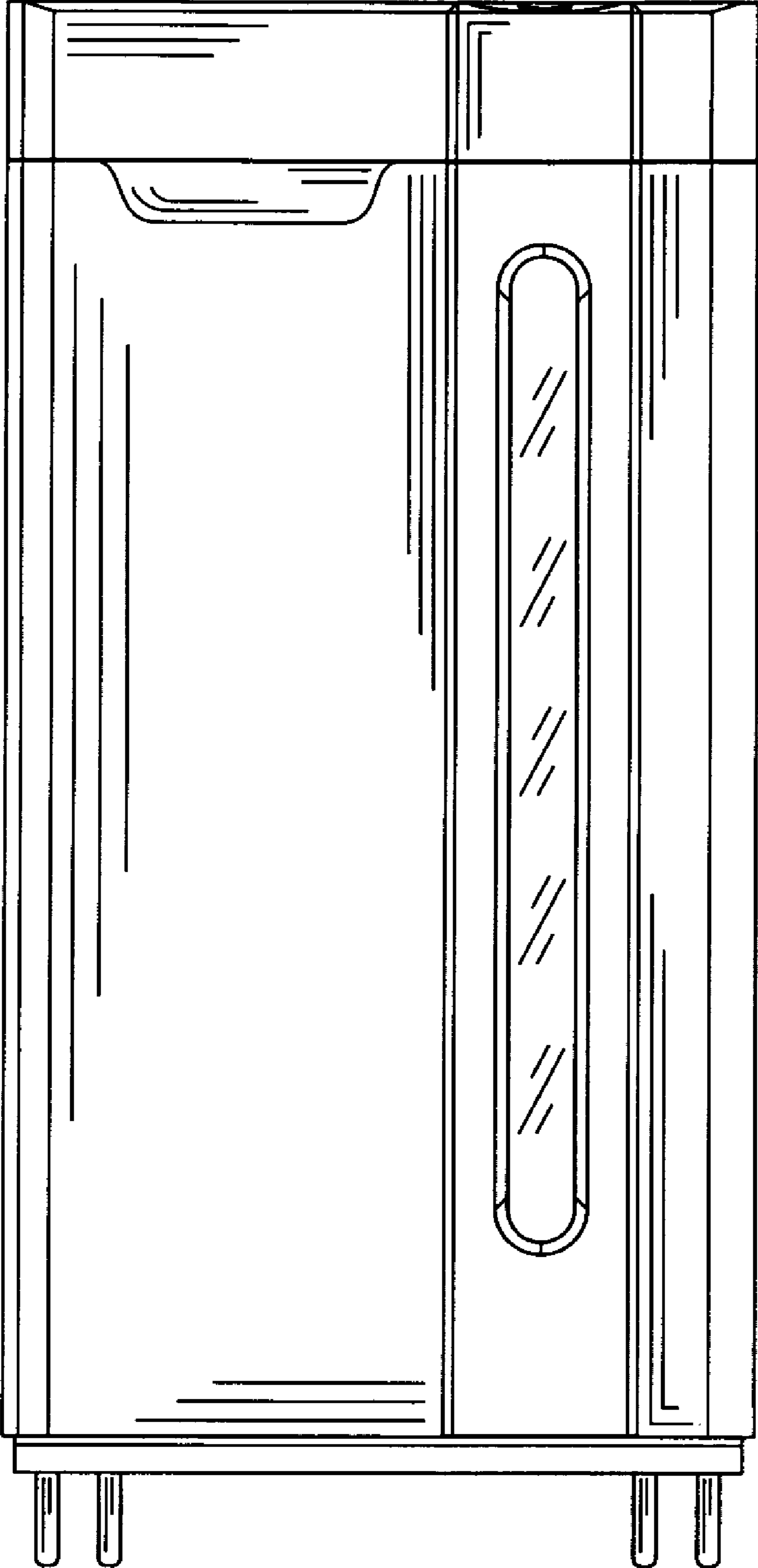


FIG. 1

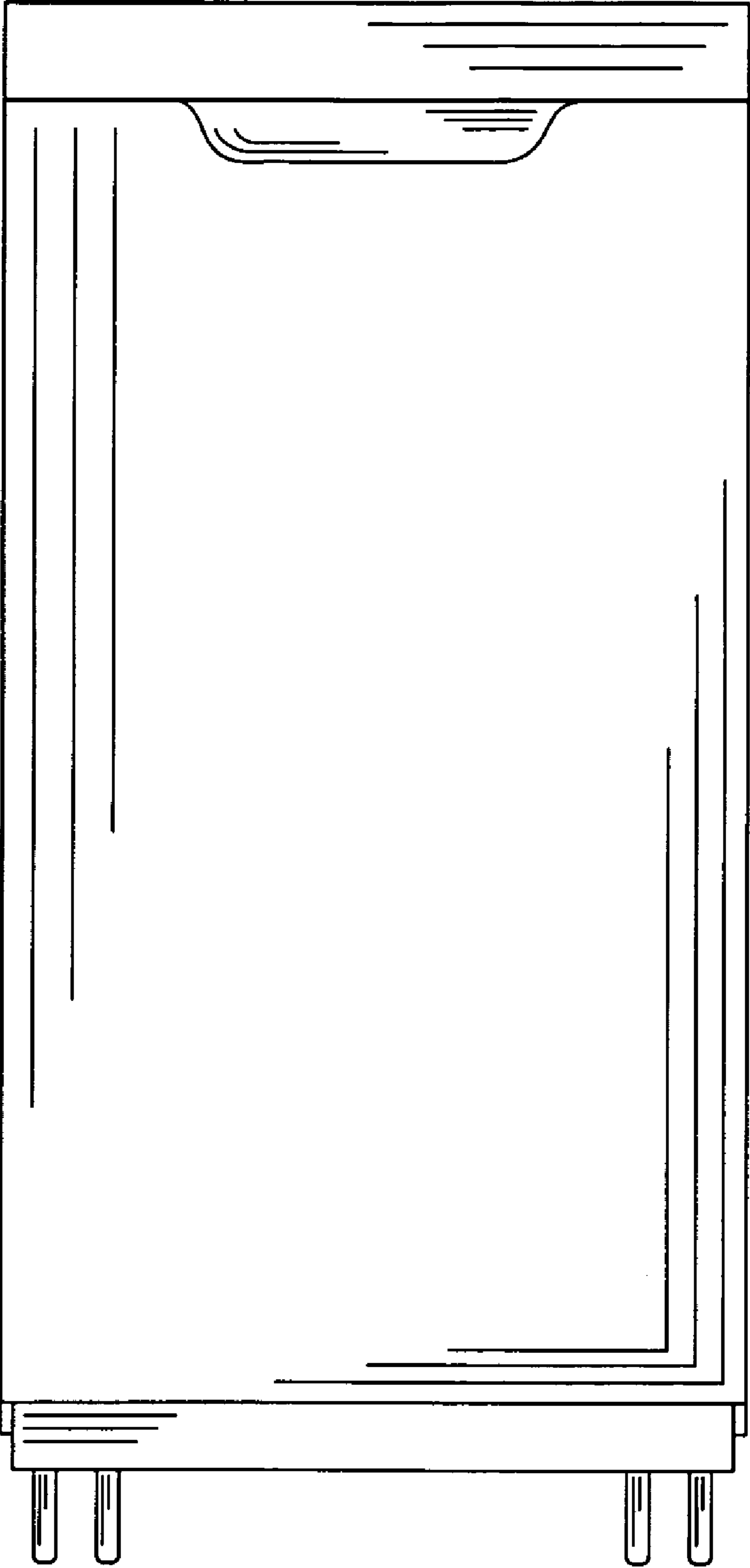


FIG. 2

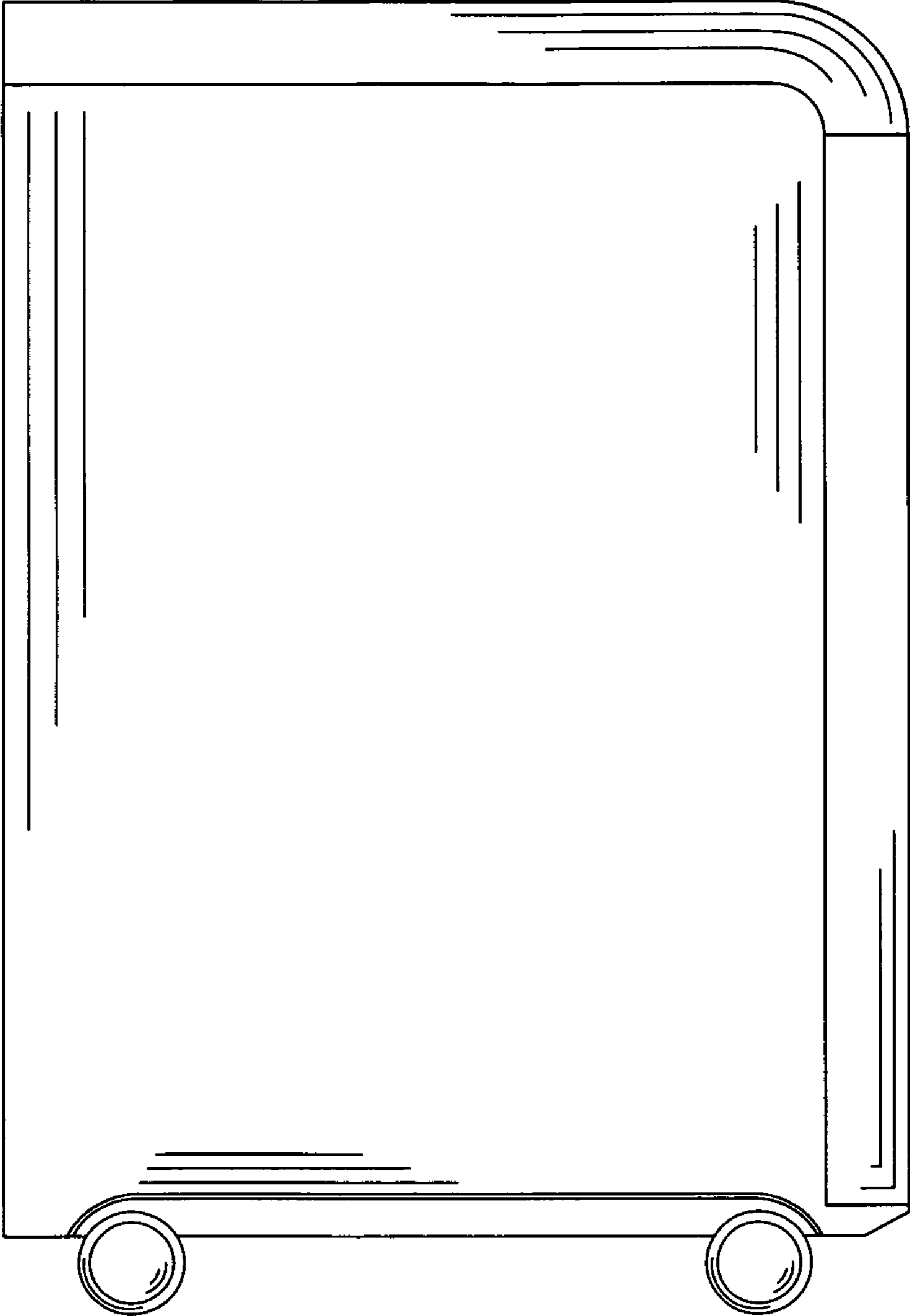


FIG. 3

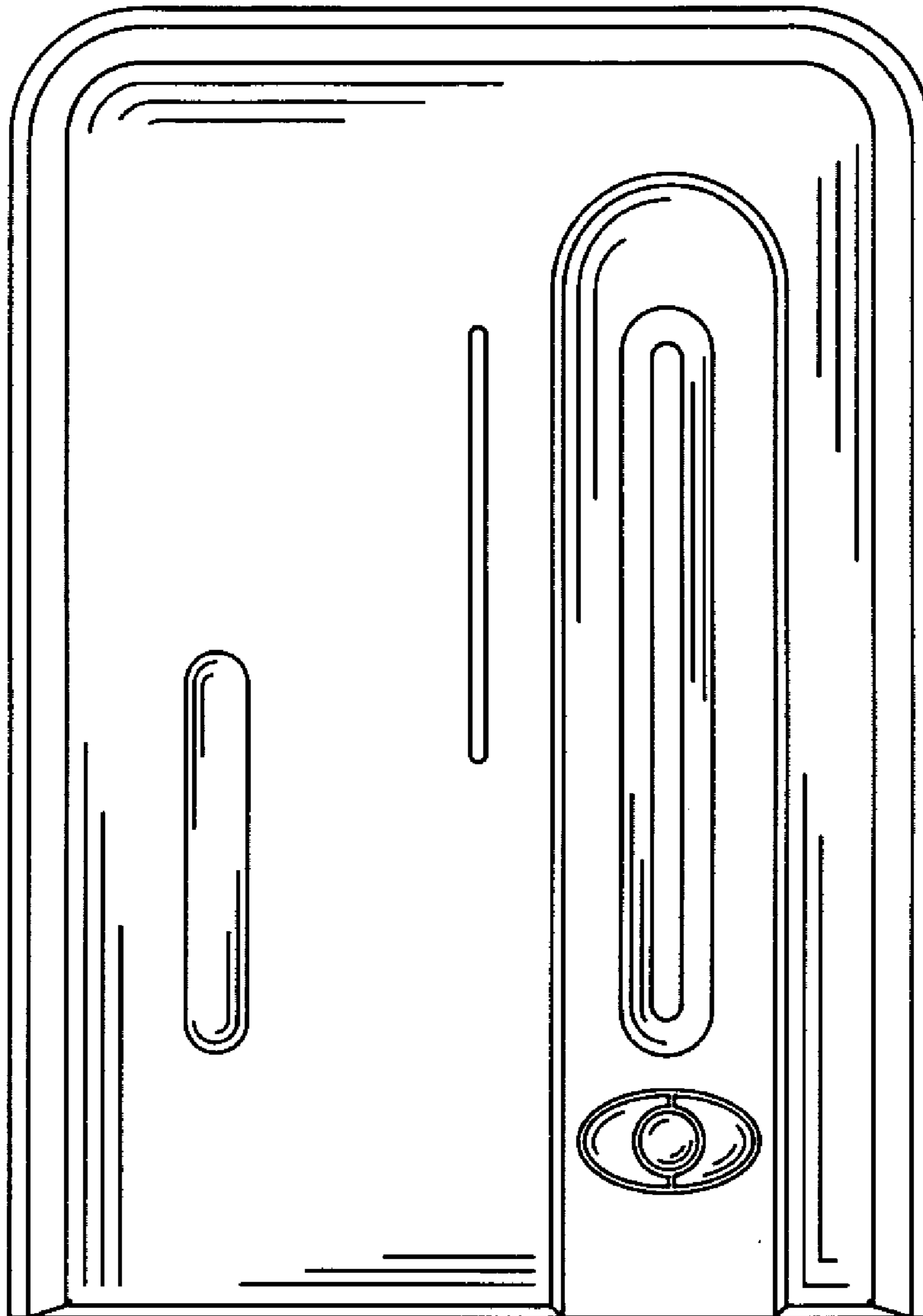


FIG. 4

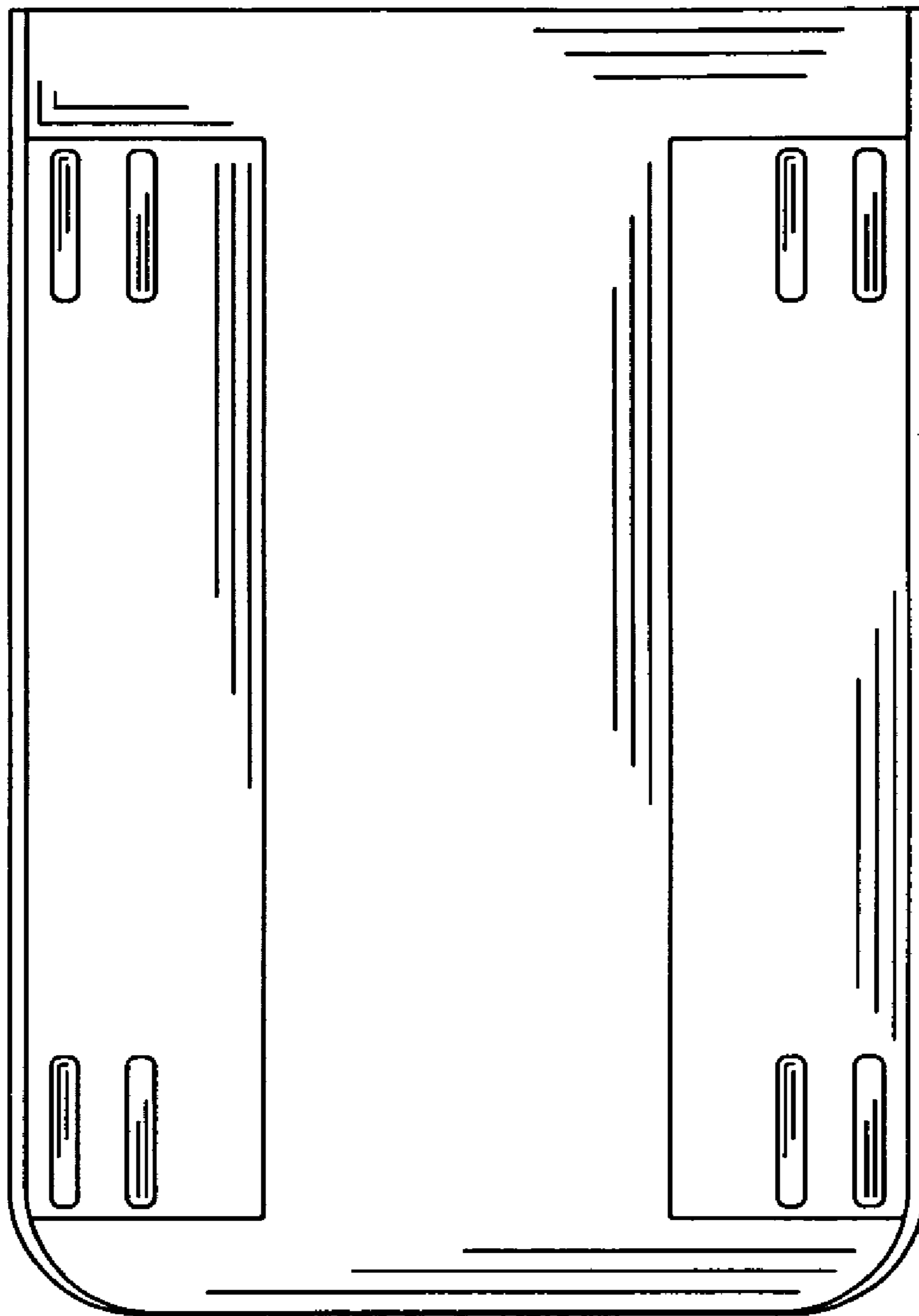


FIG. 5

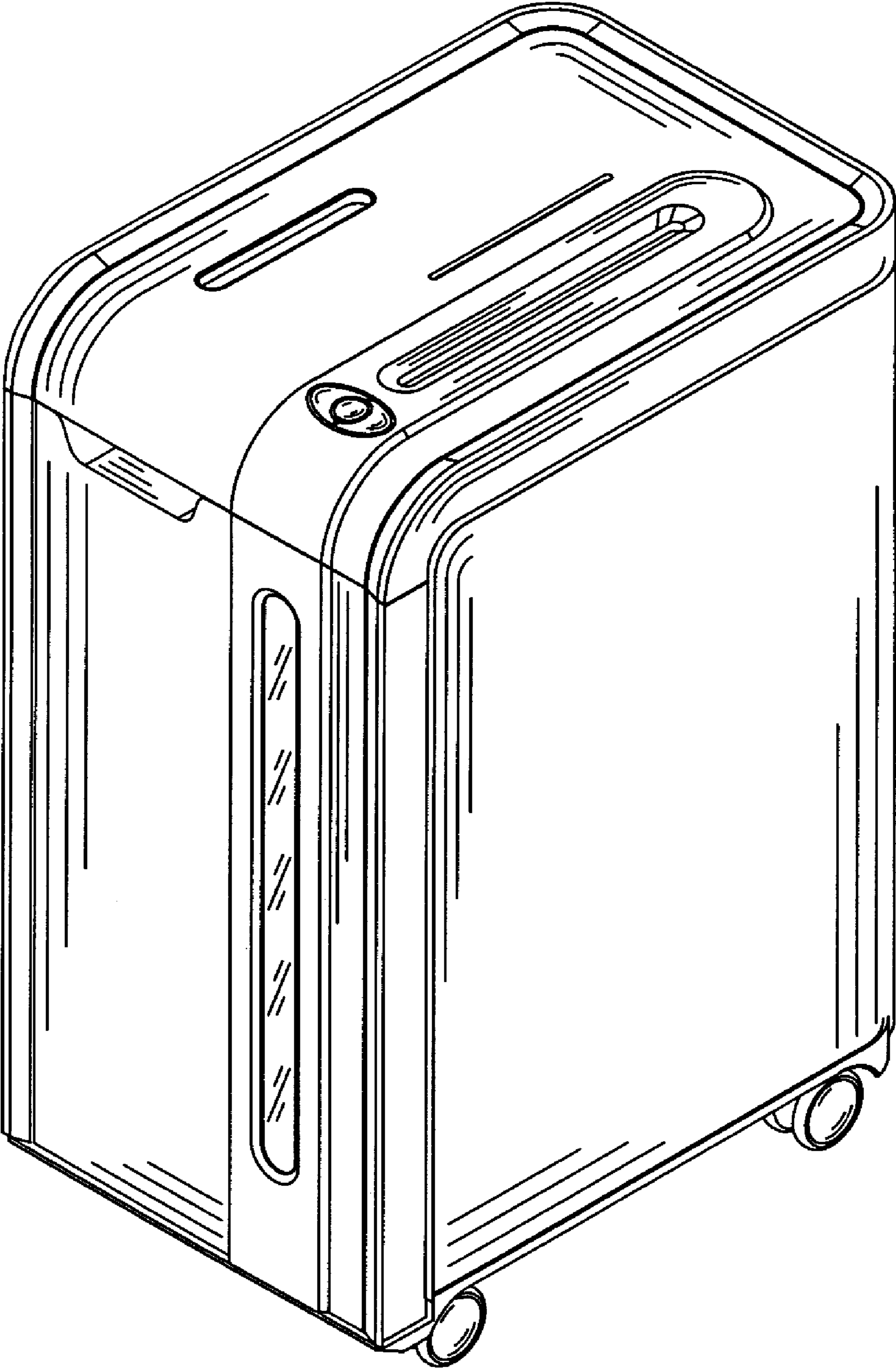


FIG. 6