



US00D615122S

(12) **United States Design Patent**  
**Graves**

(10) **Patent No.:** **US D615,122 S**

(45) **Date of Patent:** **\*\* May 4, 2010**

(54) **PAPER SHREDDER**

(76) Inventor: **Randy Gale Graves**, No. 320-C-1201,  
Nandu, Hutang New Town, Changzhou  
City, Jiangsu Province (CN)

(\*\*) Term: **14 Years**

(21) Appl. No.: **29/346,895**

(22) Filed: **Nov. 9, 2009**

(51) **LOC (9) Cl.** ..... **18-03**

(52) **U.S. Cl.** ..... **D18/34.5**

(58) **Field of Classification Search** ..... D18/34.1-34.9;  
241/100, 236, 101.78, 36; 83/613, 614, 623,  
83/485, 57-68; 30/294, 296.1, 275.4, 276  
See application file for complete search history.

(56) **References Cited**

**U.S. PATENT DOCUMENTS**

3,682,402	A	*	8/1972	Goldhammer	.....	241/100
D265,909	S	*	8/1982	Hatanaka	.....	D18/34.6
D265,911	S	*	8/1982	Hatanaka	.....	D18/34.6
D280,213	S	*	8/1985	Alger	.....	D18/34.1
D342,965	S	*	1/1994	Duke et al.	.....	D18/34.6
D532,443	S	*	11/2006	Bai	.....	D18/34.4
D548,272	S	*	8/2007	Joachim et al.	.....	D18/34.5

D556,250	S	*	11/2007	Kent et al.	.....	D18/34.6
D557,732	S	*	12/2007	Ho	.....	D18/34.6
D557,735	S	*	12/2007	Ho	.....	D18/34.6
D558,257	S	*	12/2007	Joachim et al.	.....	D18/34.6
D580,481	S	*	11/2008	Sued et al.	.....	D18/34.6
D604,762	S	*	11/2009	Parratt et al.	.....	D18/34.9

\* cited by examiner

*Primary Examiner*—Charles A Rademaker

(57) **CLAIM**

The ornamental design for a paper shredder, as shown and described.

**DESCRIPTION**

FIG. 1 is a front elevational view of a paper shredder showing my new design;

FIG. 2 is a rear elevational view thereof;

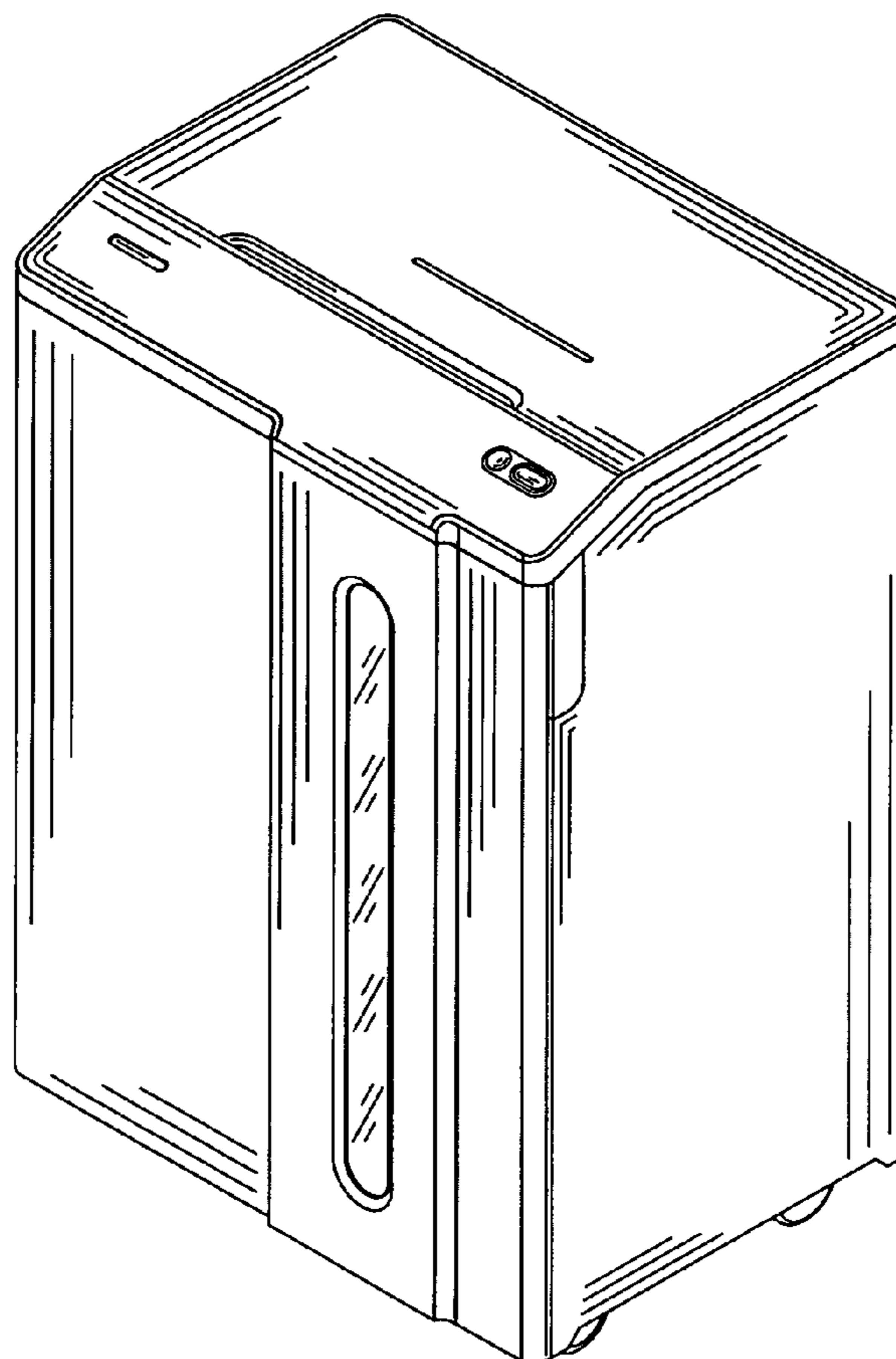
FIG. 3 is a left side view thereof; the right side view being a mirror image of the left side view;

FIG. 4 is a top plan view thereof;

FIG. 5 is a bottom plan view thereof; and,

FIG. 6 is a perspective view thereof.

**1 Claim, 5 Drawing Sheets**



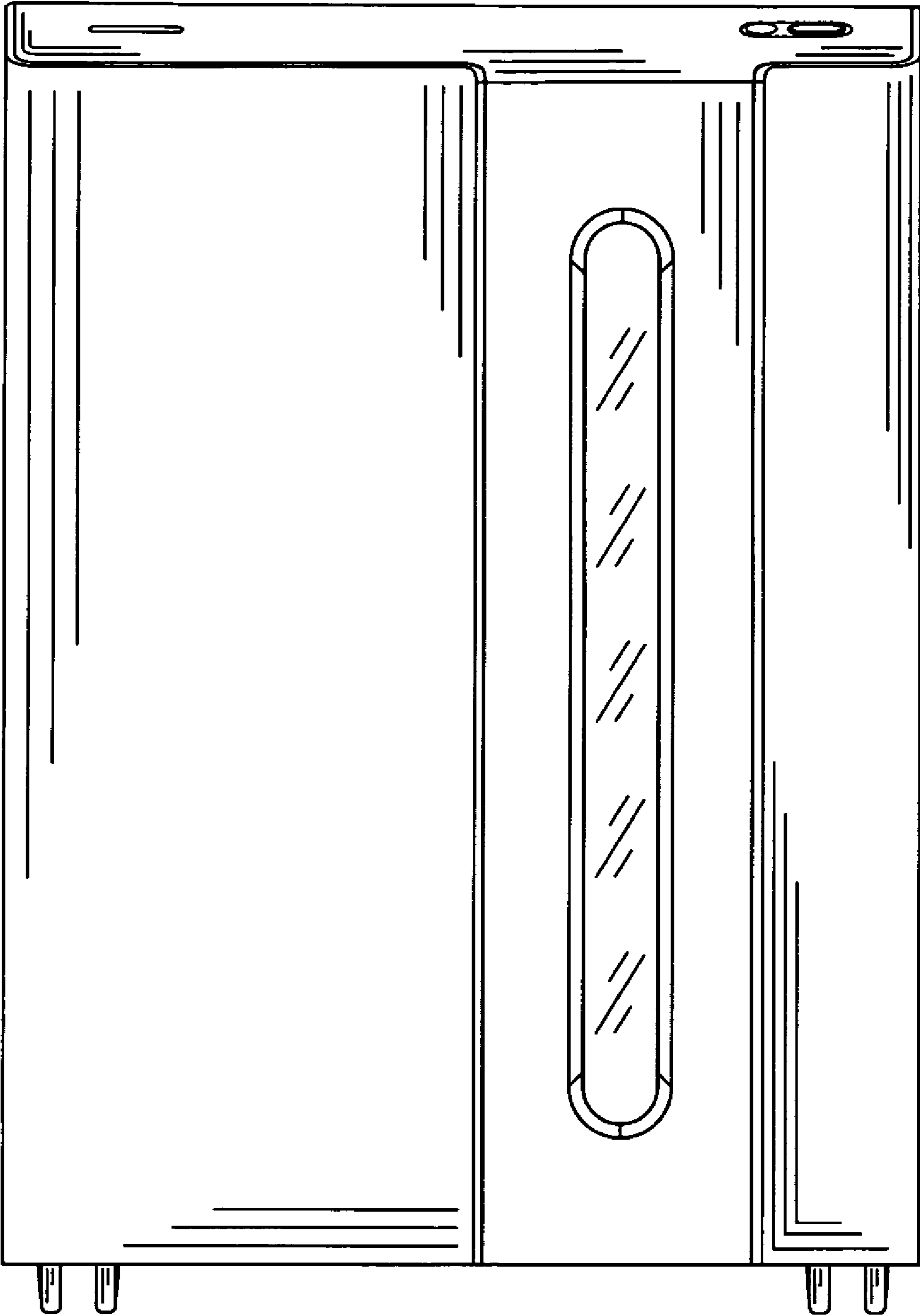


FIG. 1

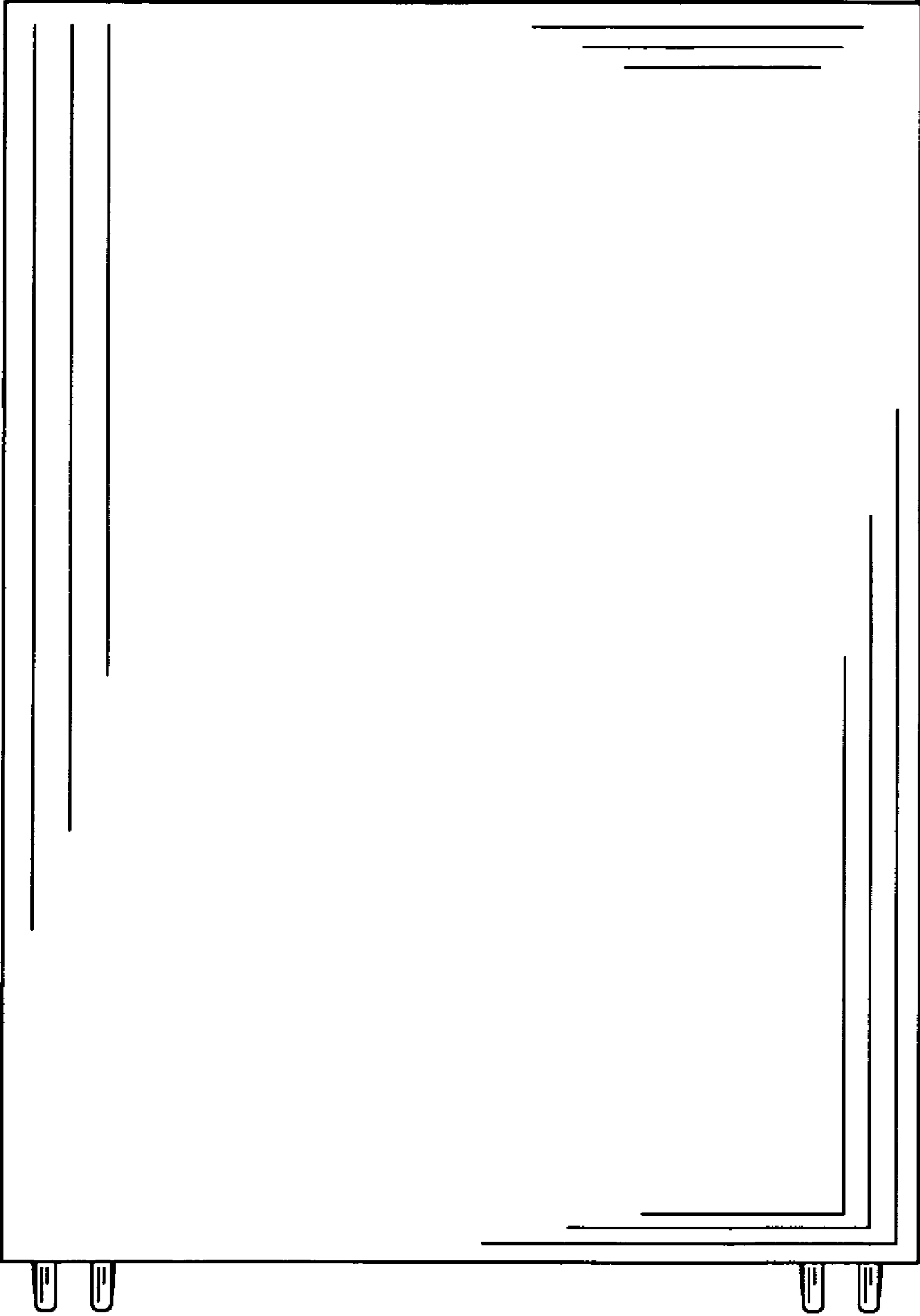


FIG. 2

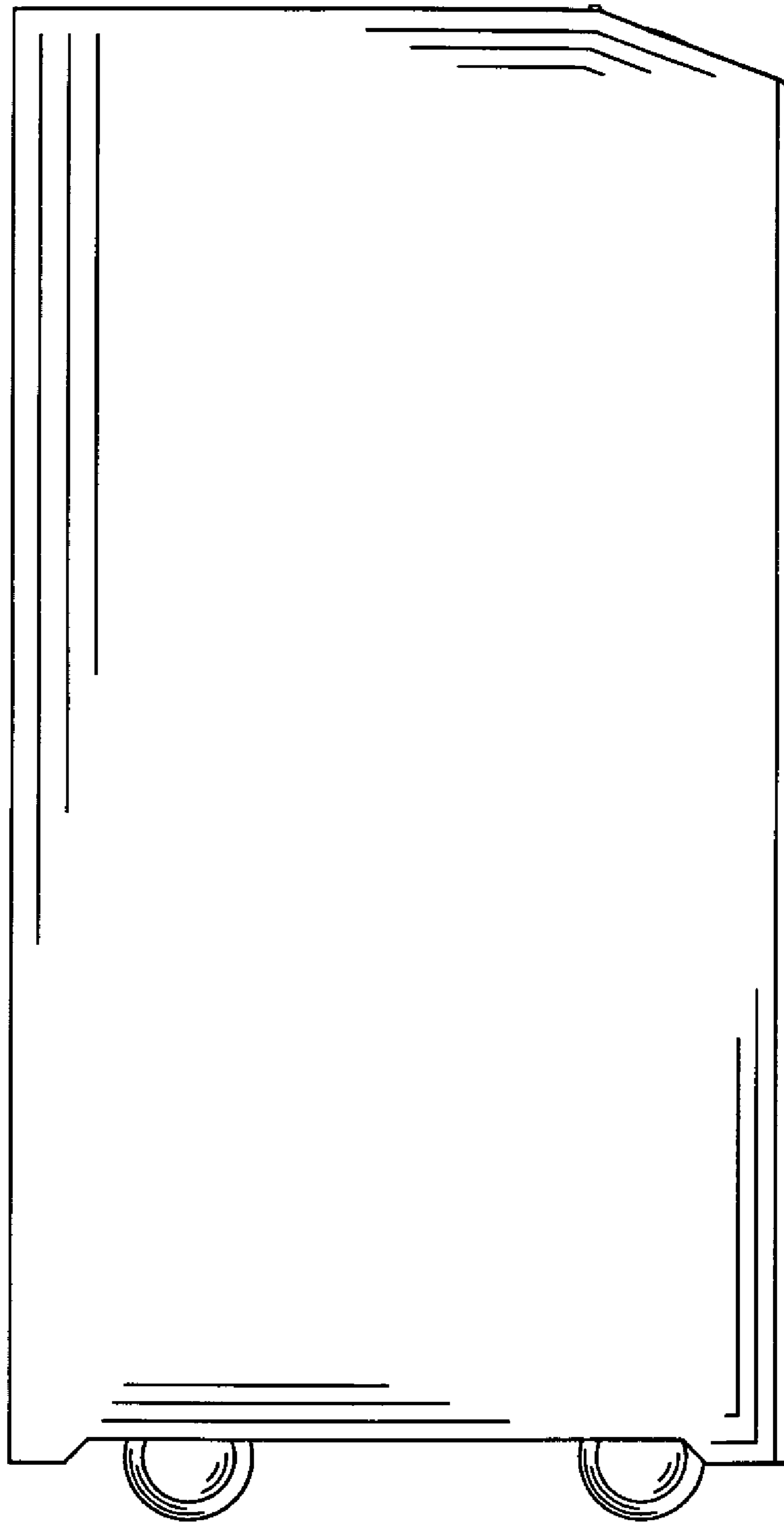


FIG. 3

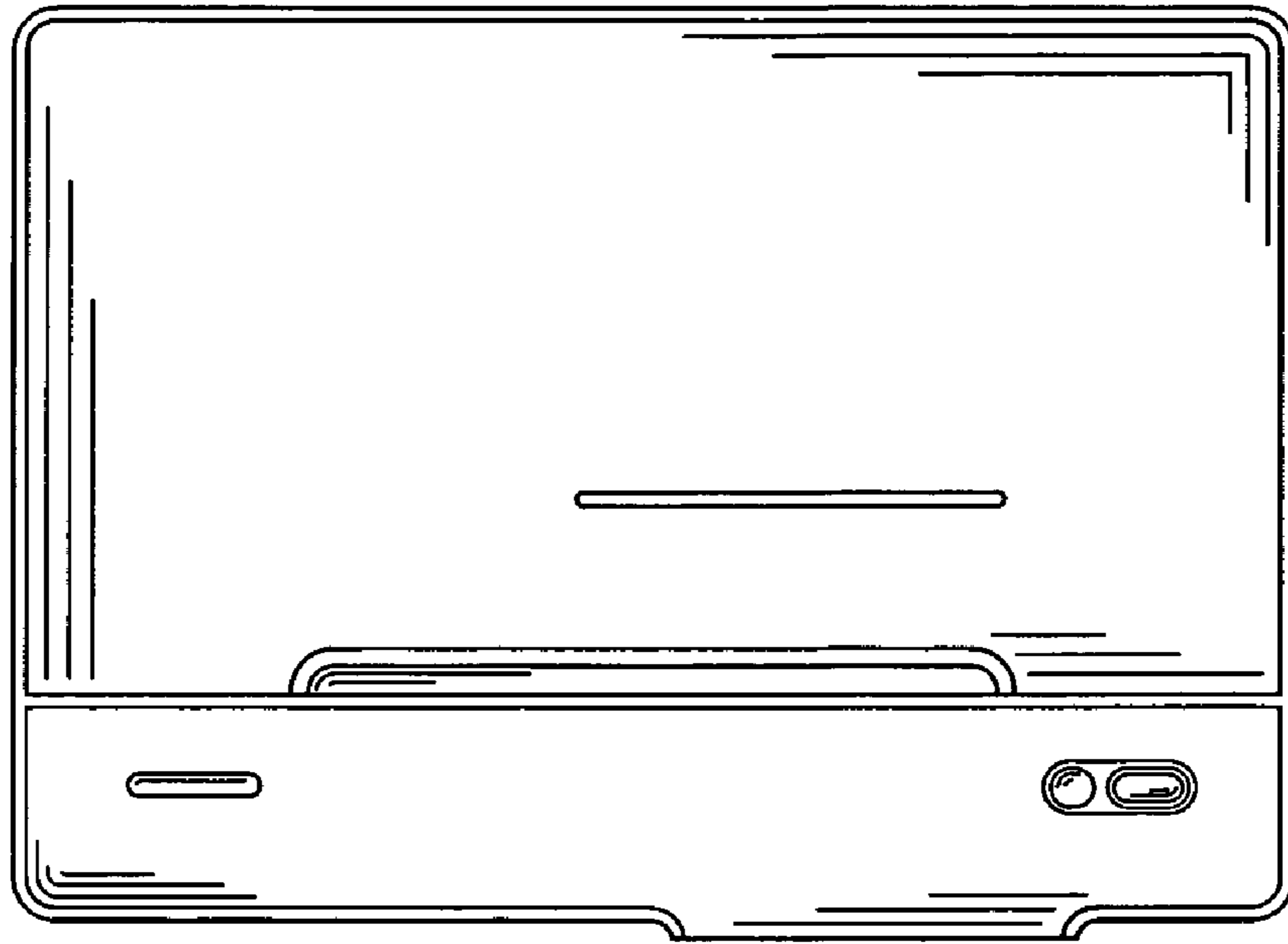


FIG. 4

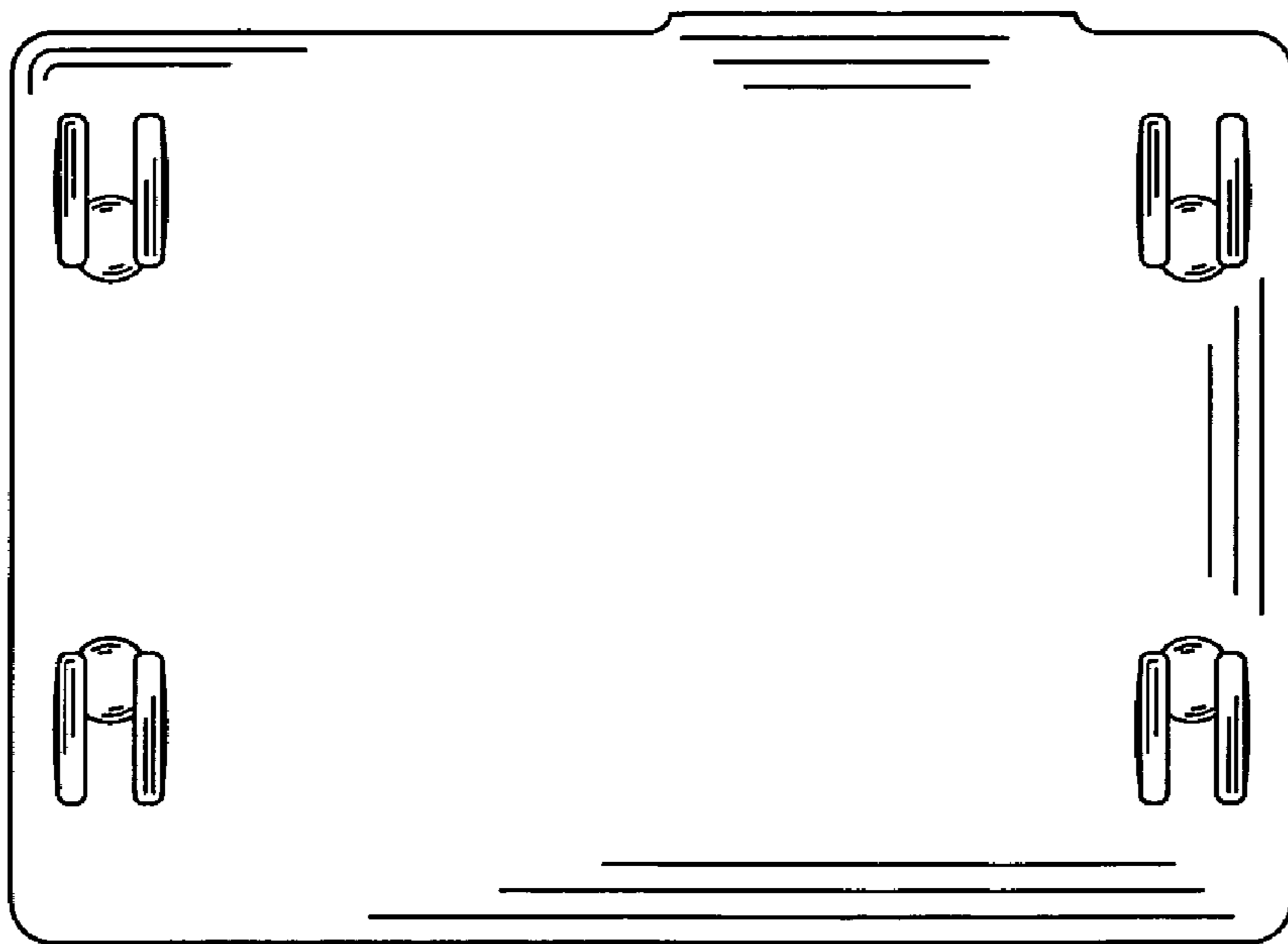


FIG. 5

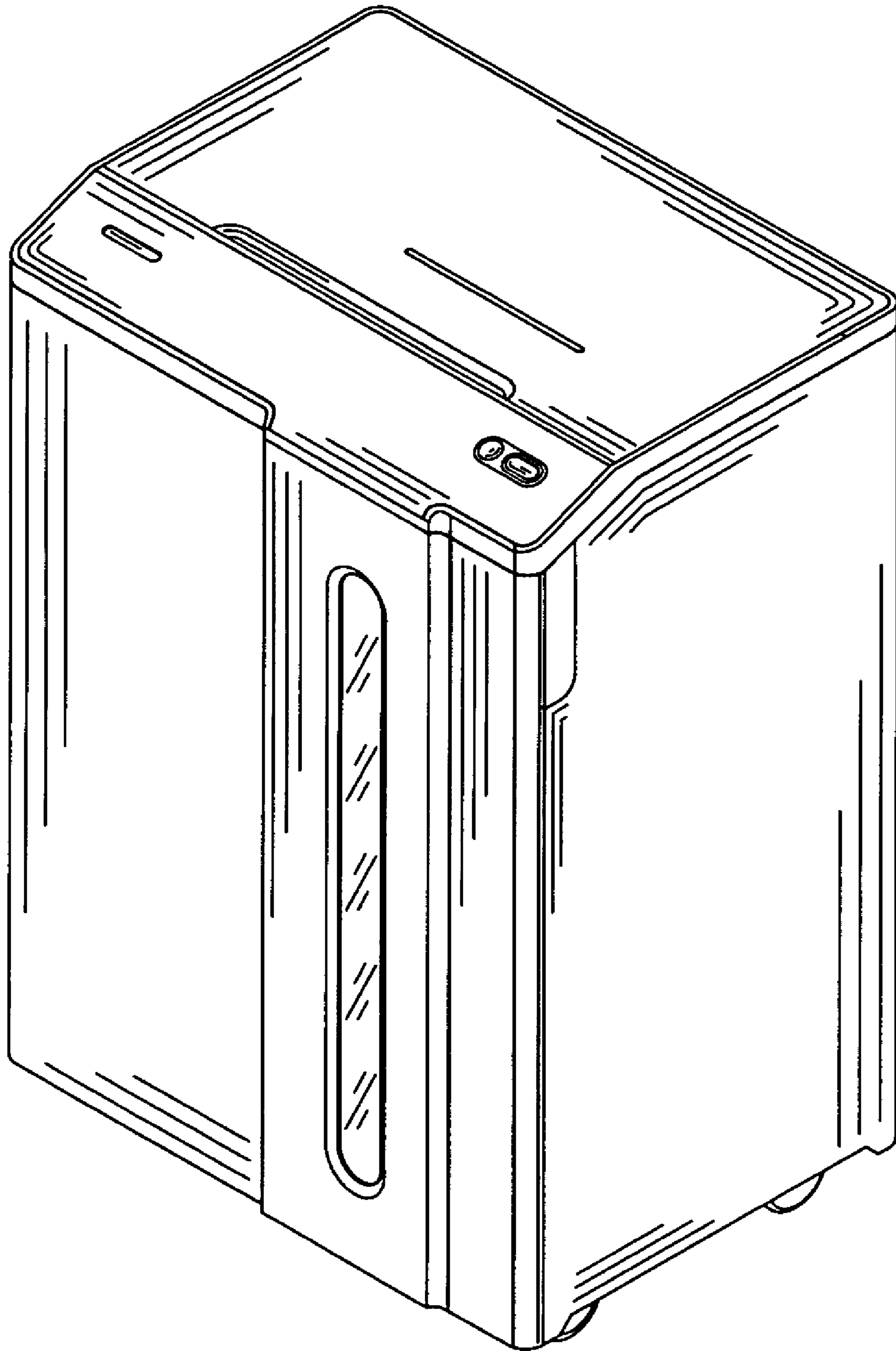


FIG. 6