



US00D615120S

(12) **United States Design Patent**
Ono

(10) **Patent No.:** **US D615,120 S**

(45) **Date of Patent:** **** May 4, 2010**

(54) **CASH REGISTER FOR A POINT OF SALES
TERMINAL**

(75) Inventor: **Yasuhiro Ono**, Kanagawa-ken (JP)

(73) Assignee: **Toshiba Tec Kabushiki Kaisha**, Tokyo
(JP)

(**) Term: **14 Years**

(21) Appl. No.: **29/337,437**

(22) Filed: **May 21, 2009**

(30) **Foreign Application Priority Data**

Nov. 21, 2008 (JP) 2008-030017

(51) **LOC (9) Cl.** **18-01**

(52) **U.S. Cl.** **D18/4.5**

(58) **Field of Classification Search** D14/218,
D14/336, 341-347, 371-376, 387; D18/1,
D18/2, 3.1-3.3, 4.1-4.6, 5-12, 12.1-12.3;
D21/324, 329, 332, 512; D99/28, 34-38,
D99/40; 235/1 E, 2, 7 R, 12, 22, 33, 51,
235/52, 58 R, 59 A, 59 BC-59 BH, 59 CP,
235/59 T, 59 TP, 61 R

See application file for complete search history.

(56) **References Cited**

U.S. PATENT DOCUMENTS

D416,876 S * 11/1999 Yin D14/375

D526,002 S * 8/2006 Nakajima et al. D18/4.5
D527,760 S * 9/2006 Ono D18/4.5
D542,834 S * 5/2007 Ando et al. D18/4.6
D588,186 S * 3/2009 Yamakawa D18/4.5
D592,658 S * 5/2009 Sugiyama et al. D14/336
D598,045 S * 8/2009 Iwata et al. D18/4.5

* cited by examiner

Primary Examiner—Caron Veynar

Assistant Examiner—Garth Rademaker

(74) *Attorney, Agent, or Firm*—Fitch, Even, Tabin &
Flannery

(57) **CLAIM**

I claim the ornamental design for a cash register for a point of sales terminal, as shown and described.

DESCRIPTION

FIG. 1 is a front, top and right side perspective view of a cash register for a point of sales terminal, showing my new design;

FIG. 2 is a rear, top and left side perspective view thereof;

FIG. 3 is a front elevational view thereof;

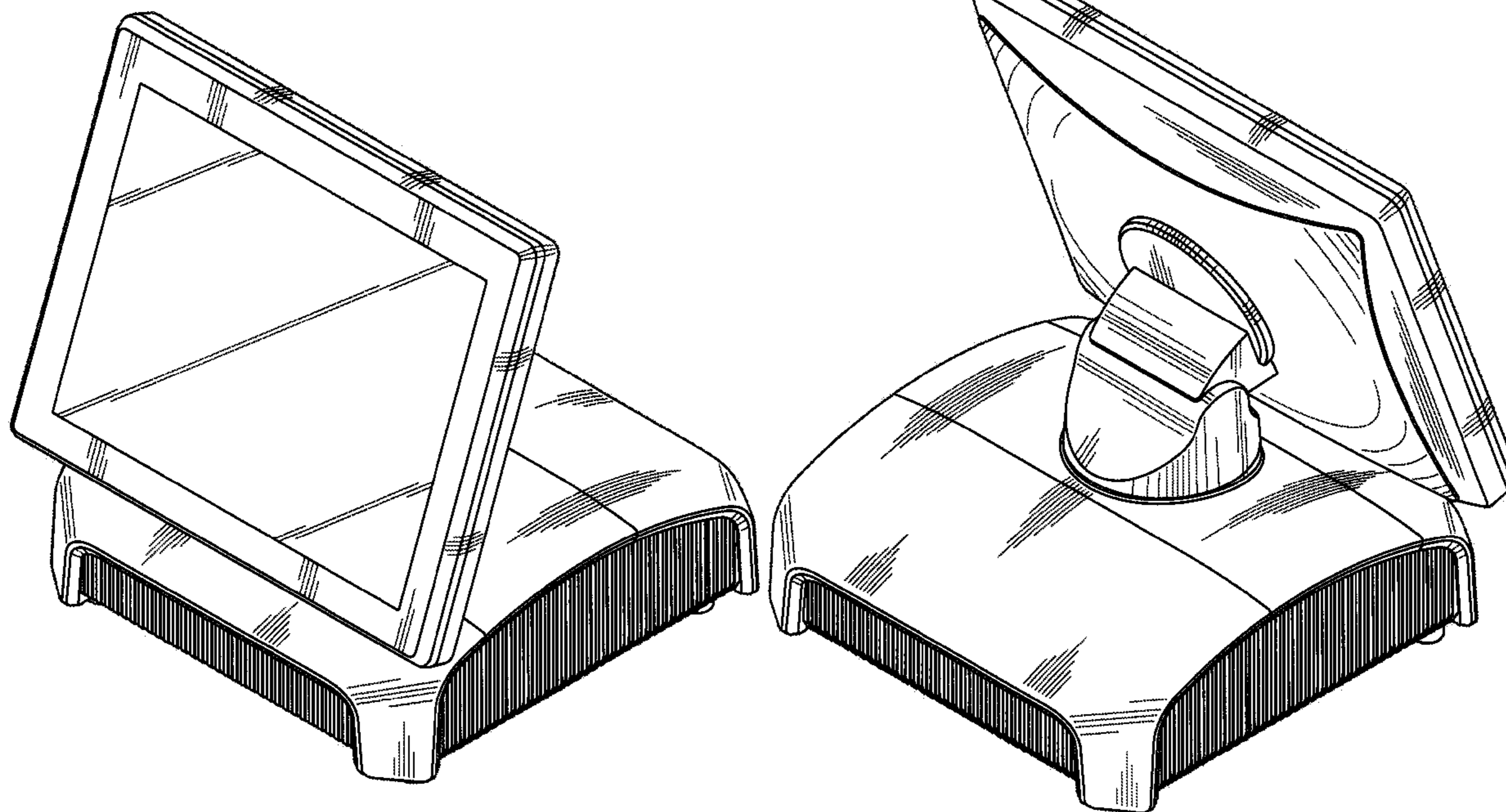
FIG. 4 is a rear elevational view thereof;

FIG. 5 is a top plan view thereof;

FIG. 6 is a bottom plan view thereof; and,

FIG. 7 is a right side elevational view thereof; and the opposite side being a mirror image thereof.

1 Claim, 7 Drawing Sheets



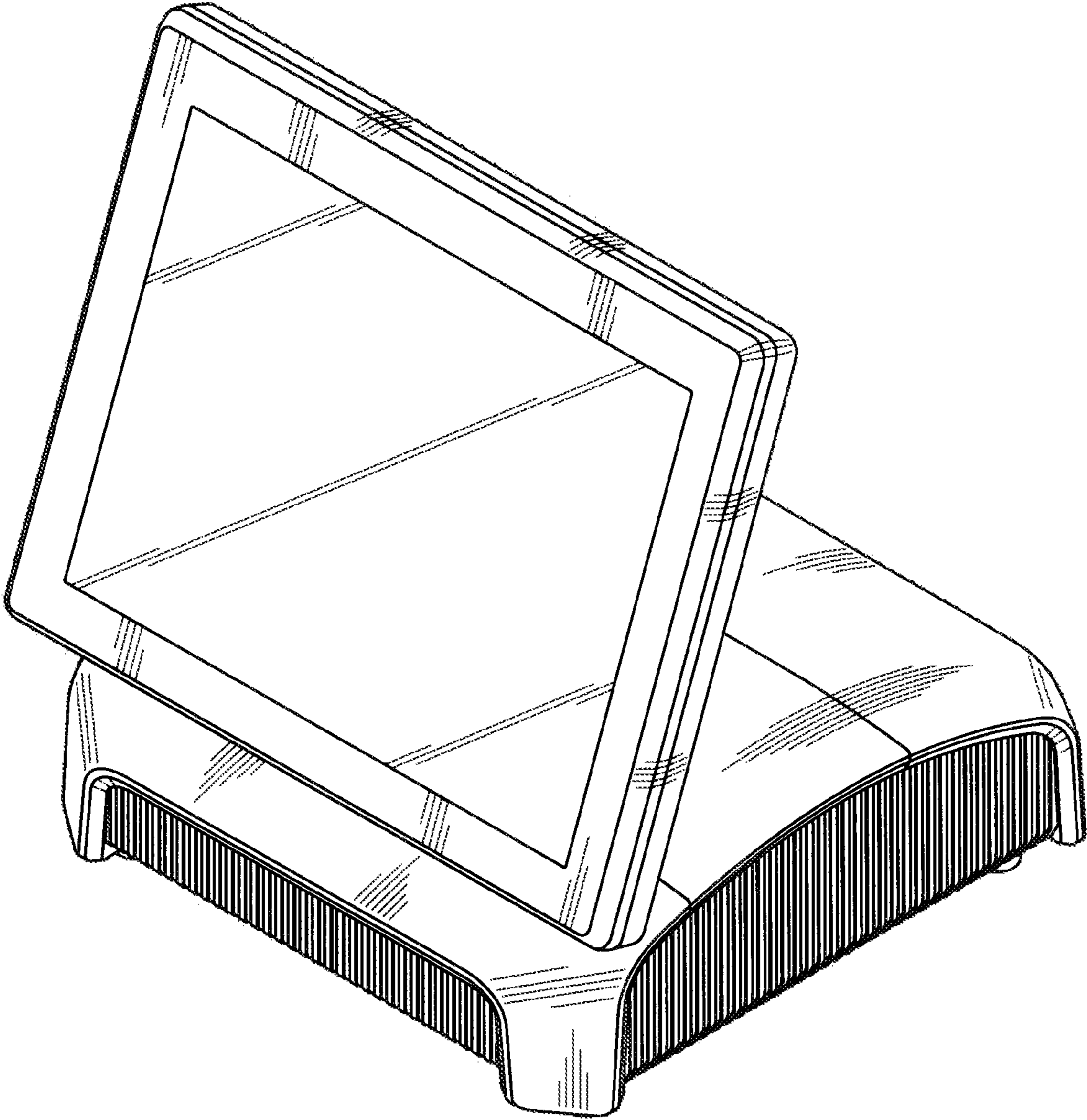


FIG.1

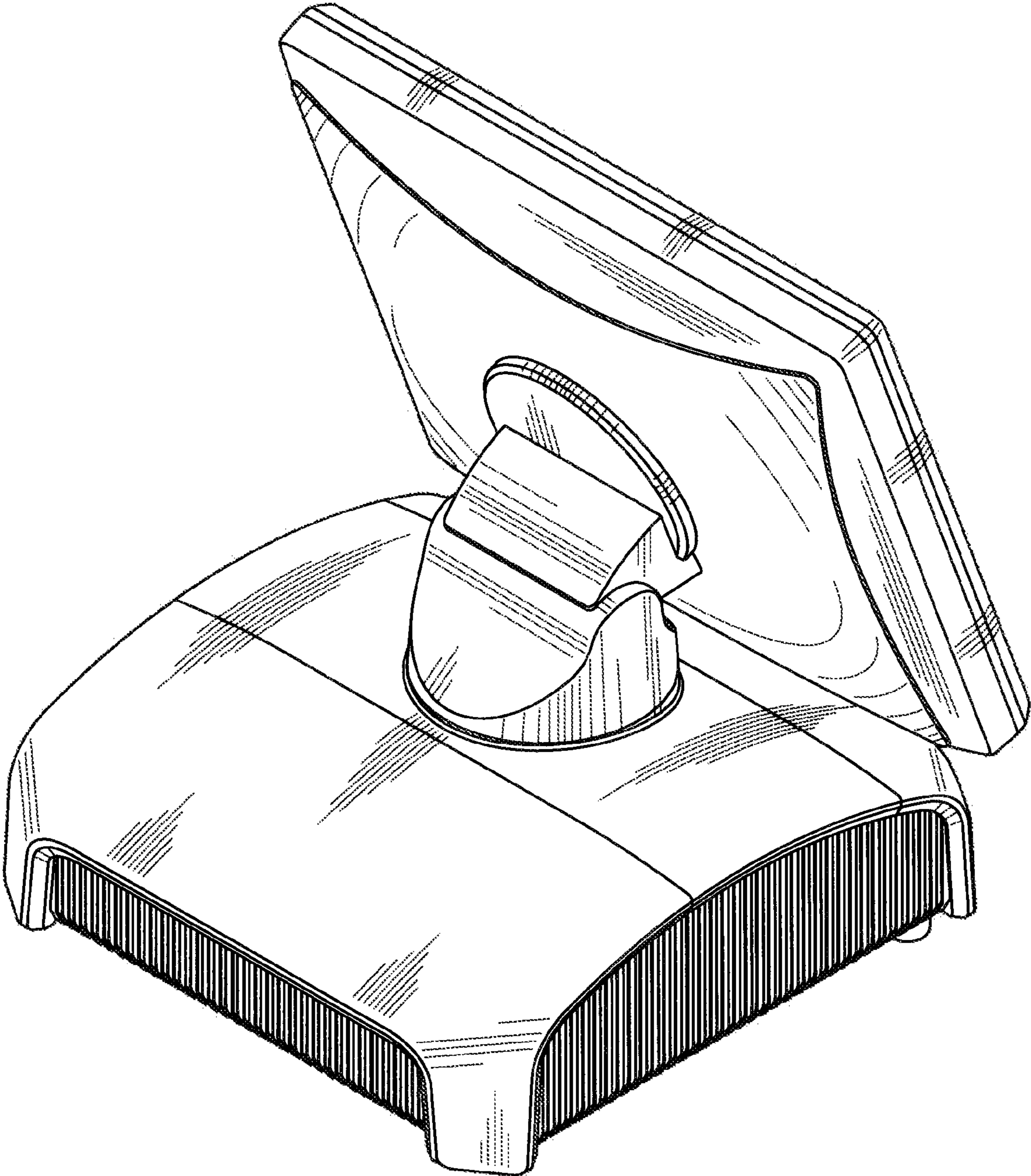


FIG.2

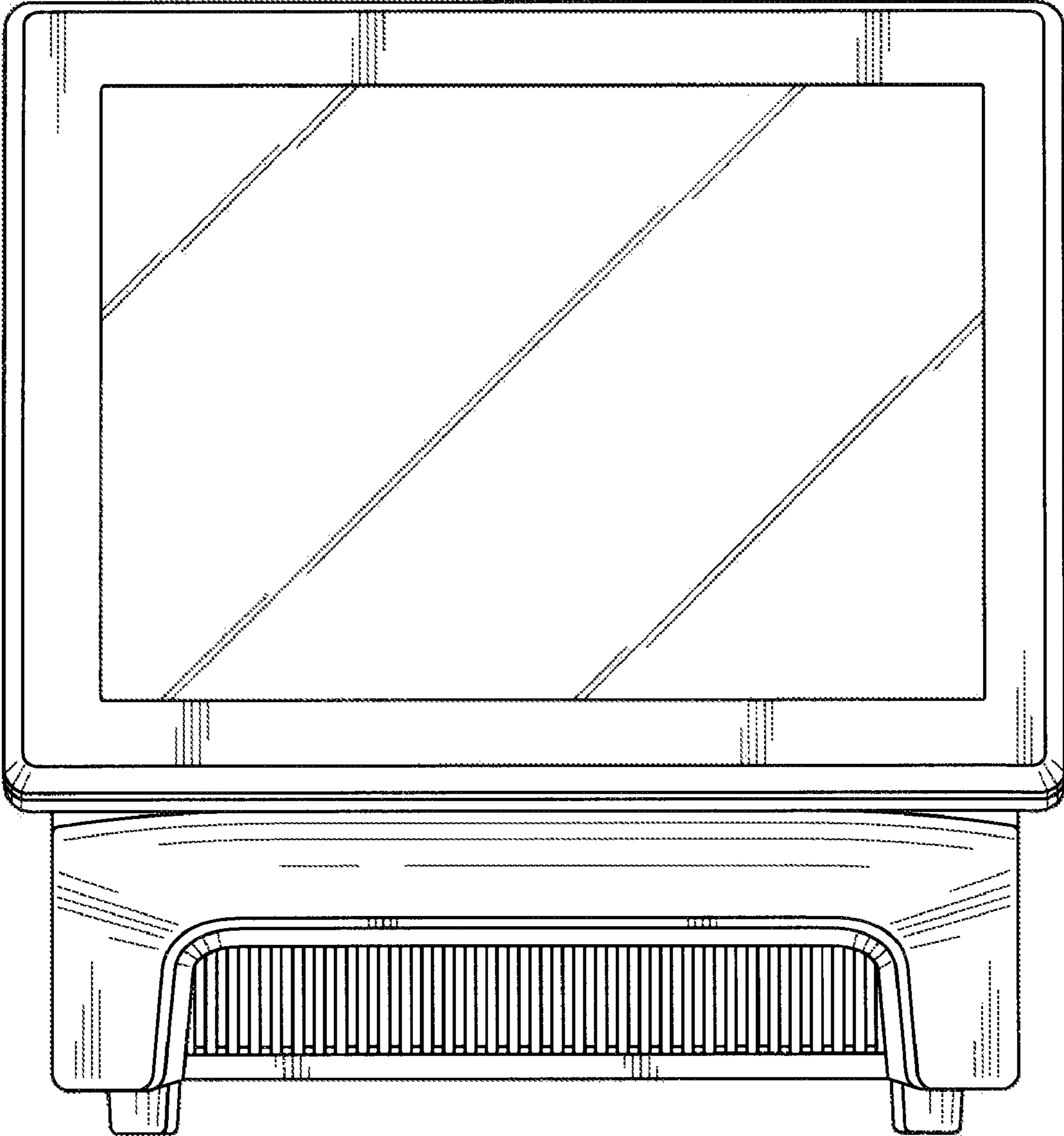


FIG.3

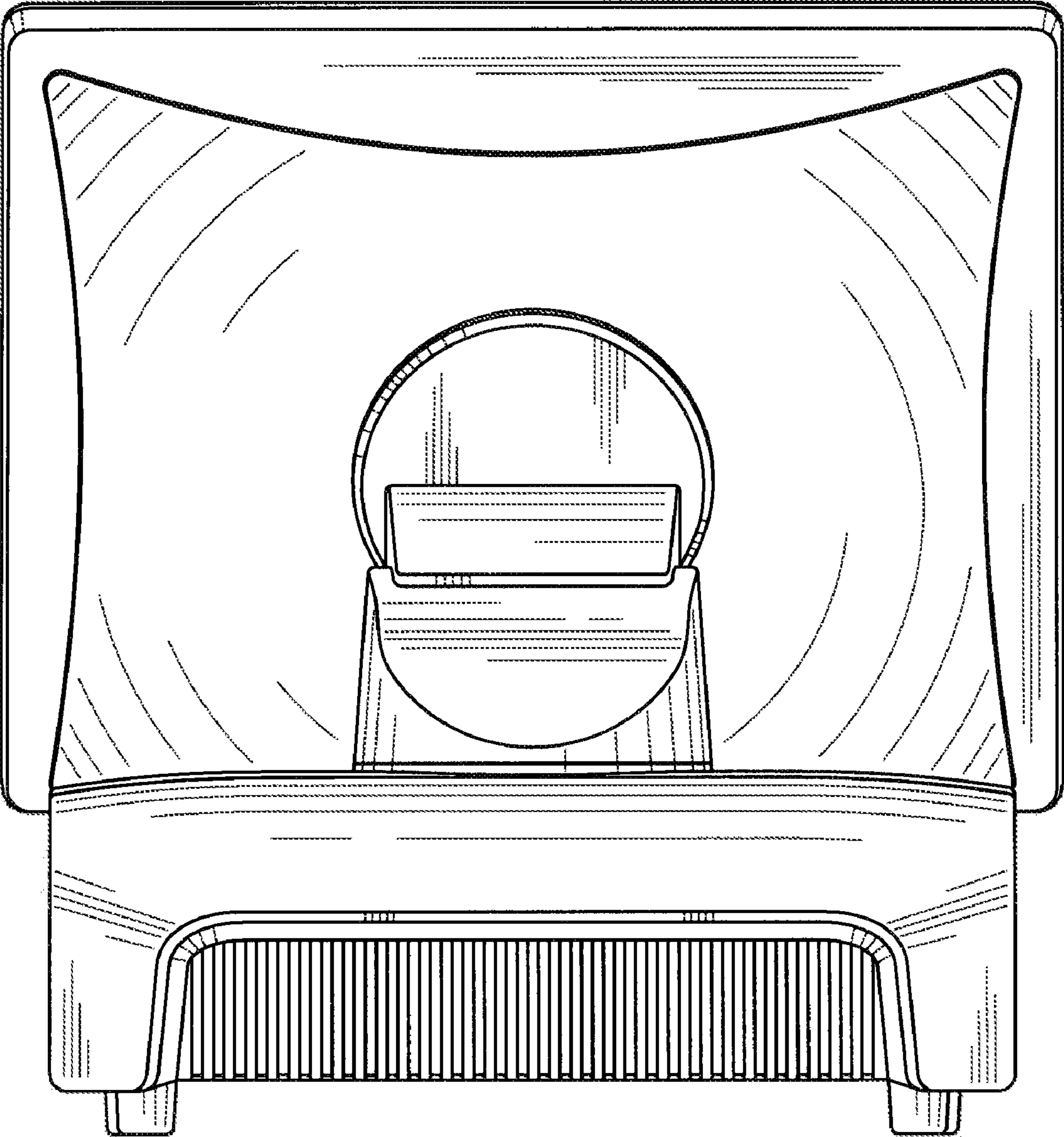


FIG.4

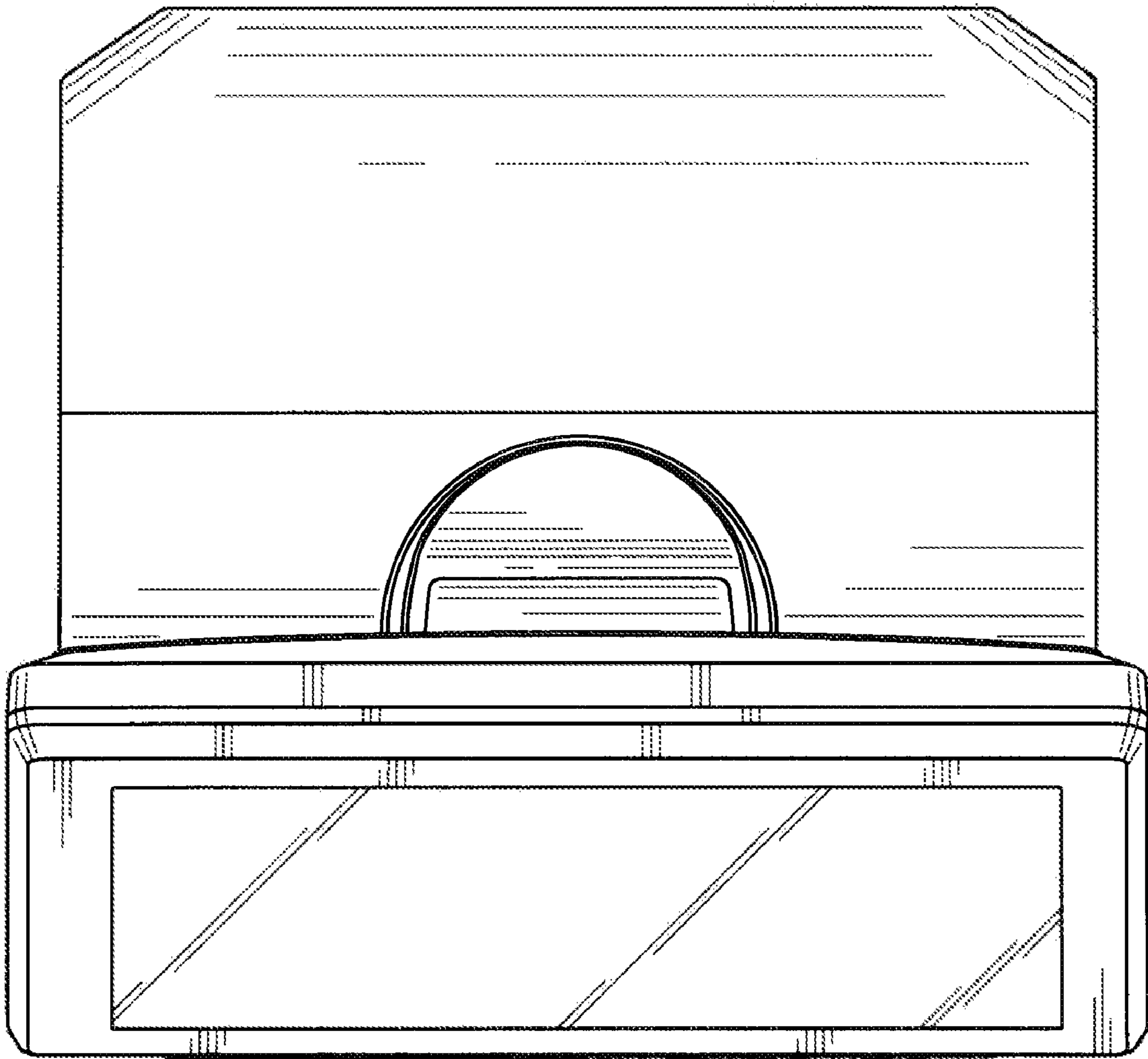


FIG.5

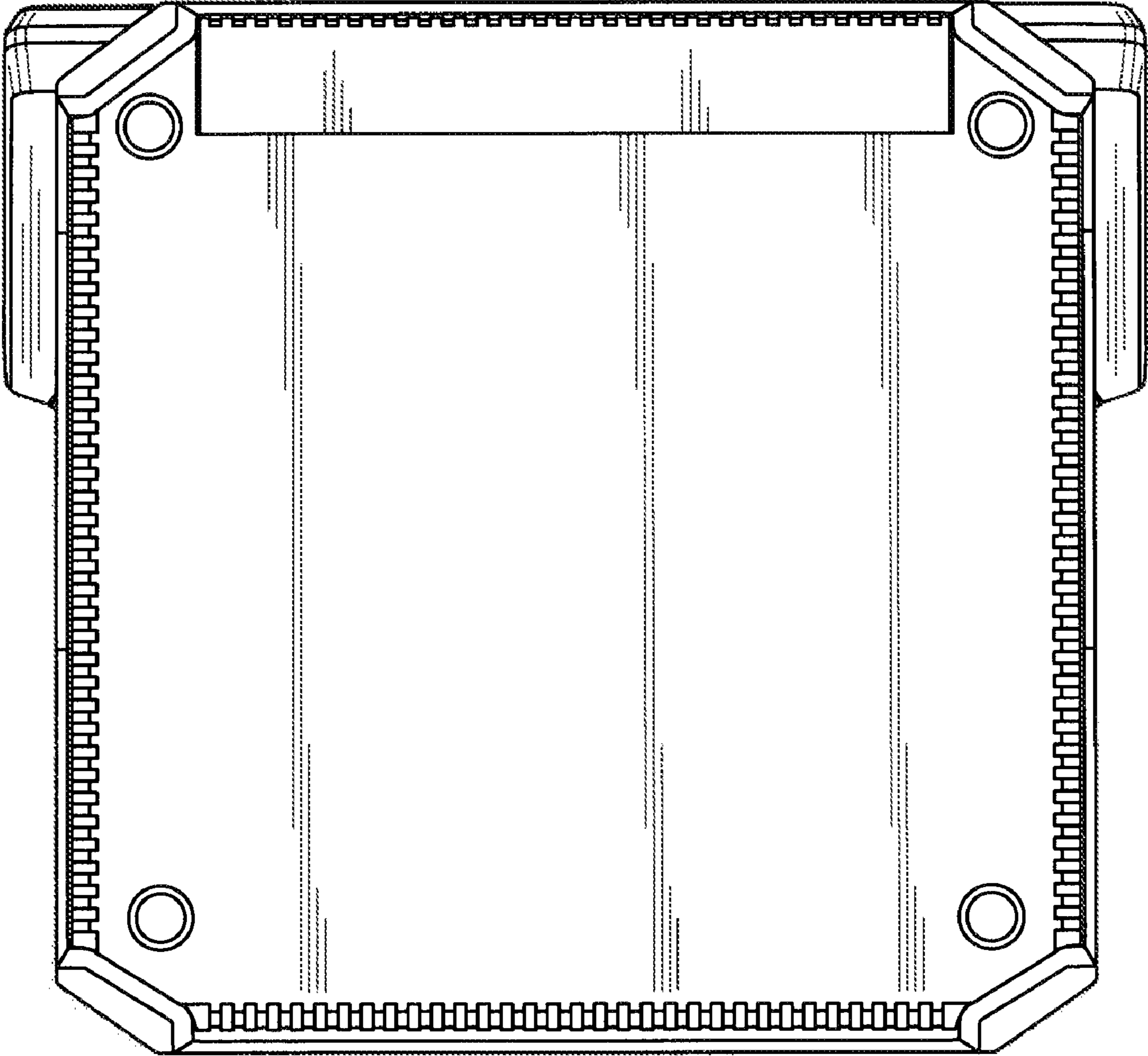


FIG.6

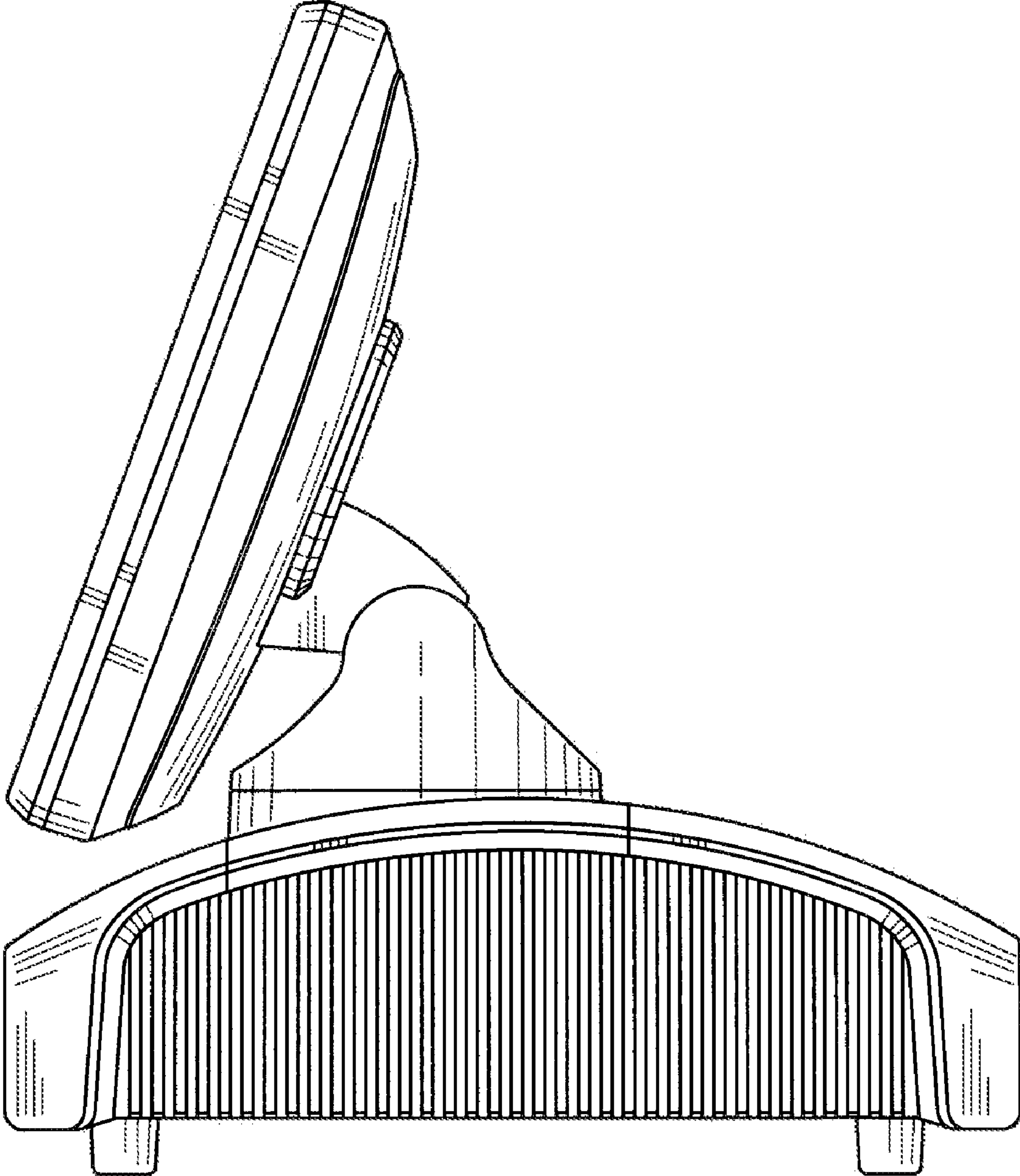


FIG.7