



US00D615118S

(12) **United States Design Patent**
Isozaki

(10) **Patent No.:** **US D615,118 S**

(45) **Date of Patent:** **** May 4, 2010**

(54) **GRIP FOR TELEVISION CAMERA LENS**

(75) Inventor: **Makoto Isozaki**, Tokyo (JP)

(73) Assignee: **Fujinon Corporation**, Saitama-Shi (JP)

(**) Term: **14 Years**

(21) Appl. No.: **29/336,206**

(22) Filed: **Apr. 29, 2009**

(30) **Foreign Application Priority Data**

Nov. 6, 2008 (JP) 2008-028483

(51) **LOC (9) Cl.** **16-05**

(52) **U.S. Cl.** **D16/243; D16/136**

(58) **Field of Classification Search** D16/134,
D16/136, 200, 208, 219, 243; 348/373-376;
359/815, 827; 396/423, 535, 544
See application file for complete search history.

(56) **References Cited**

U.S. PATENT DOCUMENTS

4,757,335	A *	7/1988	Muryoi et al.	396/423
D330,904	S *	11/1992	Sasaki	D16/243
5,343,263	A *	8/1994	Takemae et al.	396/535
D401,264	S *	11/1998	Miyamoto	D16/243
D407,732	S *	4/1999	Miyamoto	D16/243
D416,271	S *	11/1999	Ikenaga	D16/202
D469,792	S *	2/2003	Kawashima	D16/134

7,280,151 B2 * 10/2007 Kojima et al. 348/373

* cited by examiner

Primary Examiner—Adir Aronovich

(74) *Attorney, Agent, or Firm*—Birch, Stewart, Kolasch & Birch, LLP

(57) **CLAIM**

The ornamental design for a grip for television camera lens, as shown and described.

DESCRIPTION

FIG. 1 is a top, front and left side perspective view of a grip for television camera lens showing my new design;

FIG. 2 is a top, front and right side perspective view thereof;

FIG. 3 is a front elevational view thereof

FIG. 4 is a rear elevational view thereof;

FIG. 5 is a top plan view thereof;

FIG. 6 is a left side elevational view thereof;

FIG. 7 is a right side elevational view thereof; and,

FIG. 8 is a reduced top, front and right side perspective view showing the present article attached to the television camera lens.

The portions of the grip for television camera lens in broken lines are shown for illustrative purposes only and form no part of the claimed design.

1 Claim, 8 Drawing Sheets

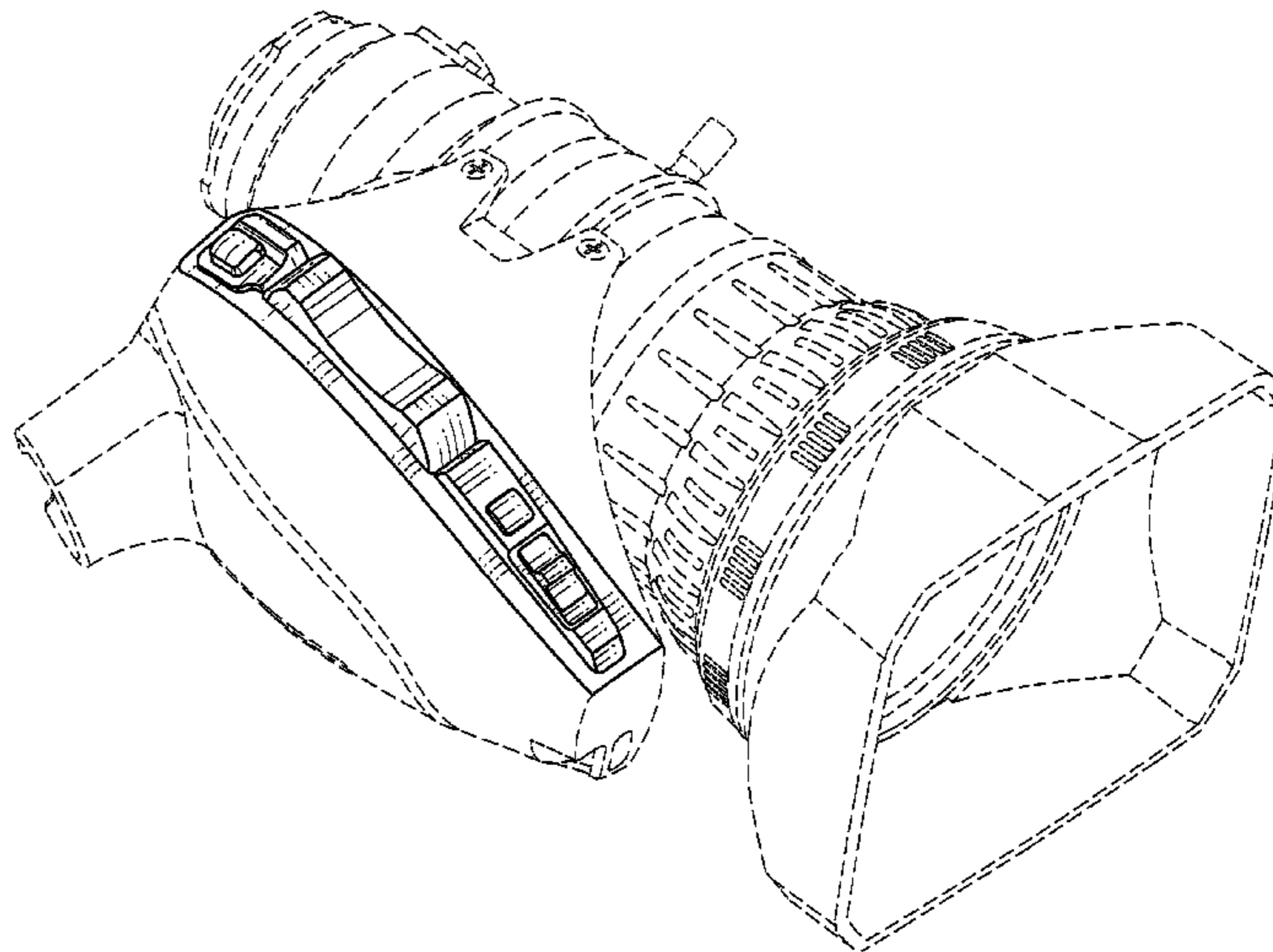
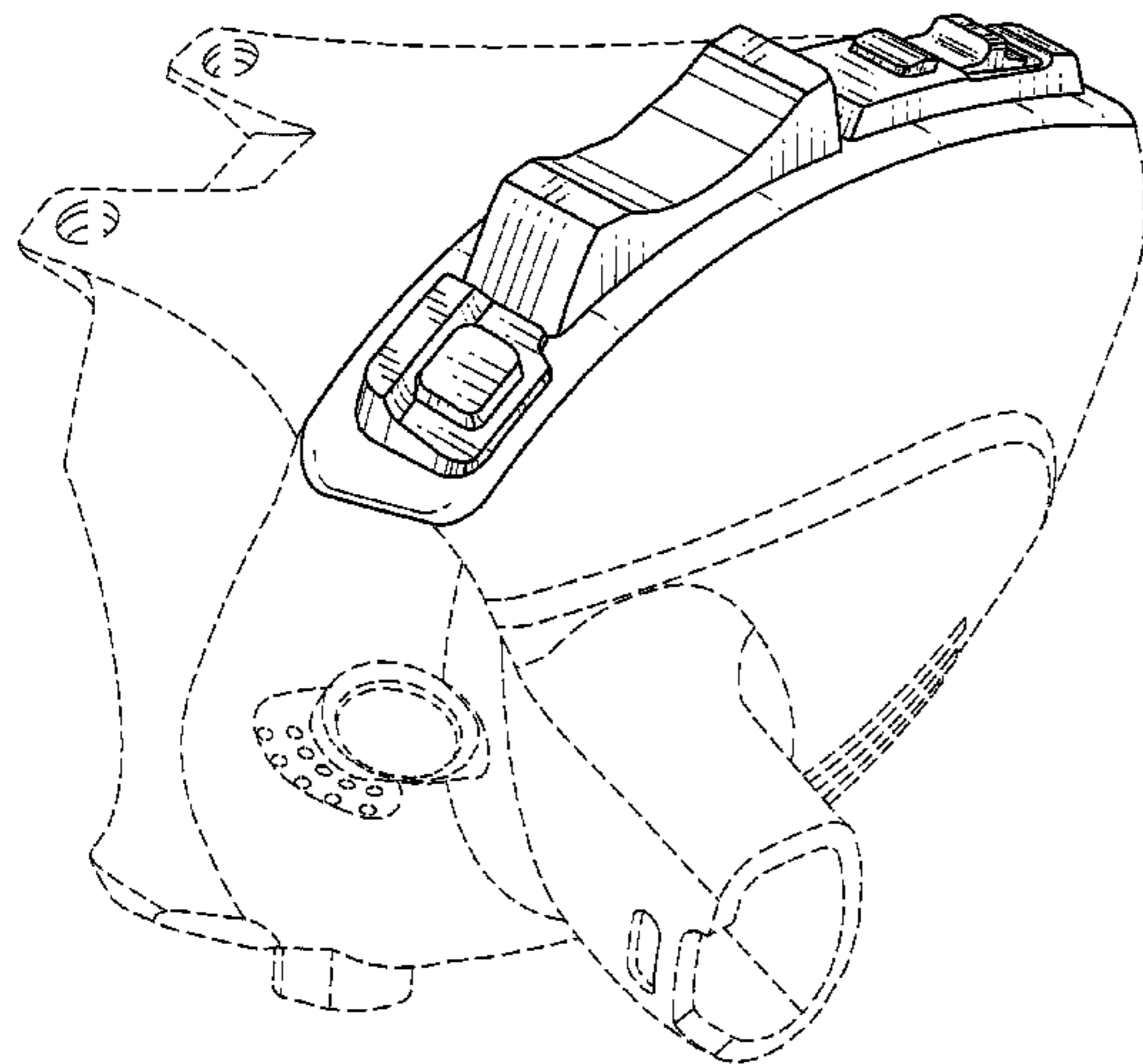
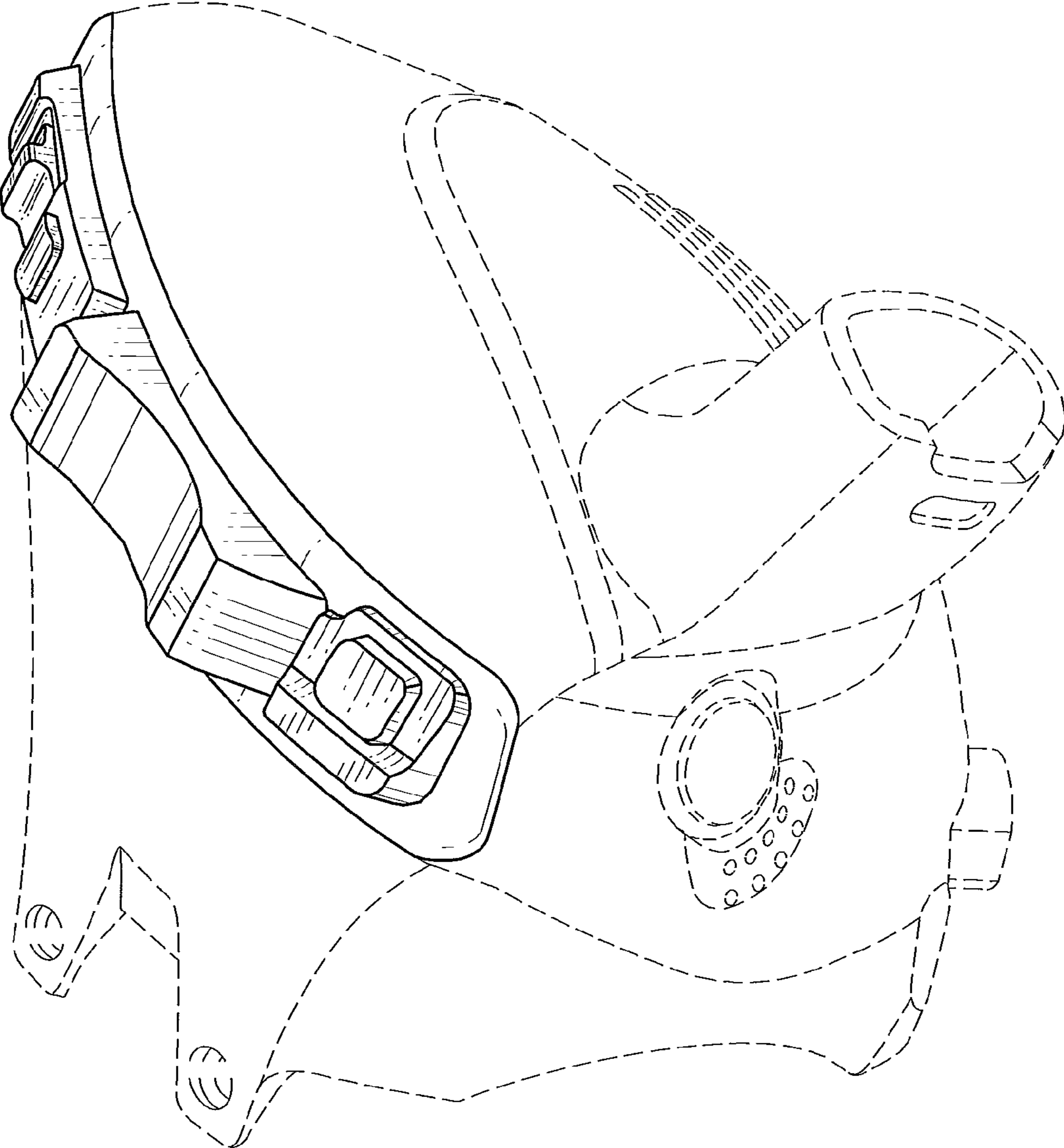


FIG. 1



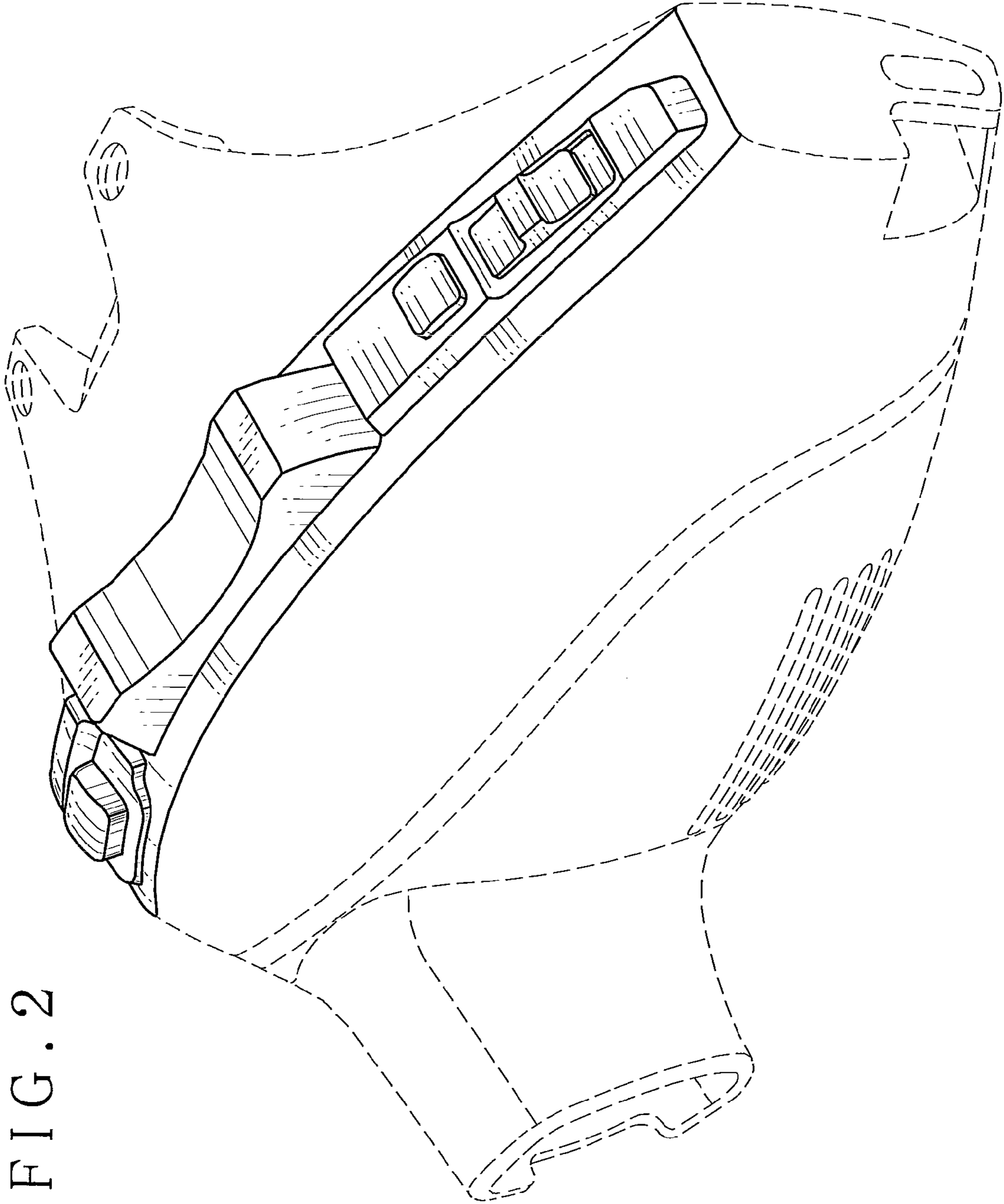
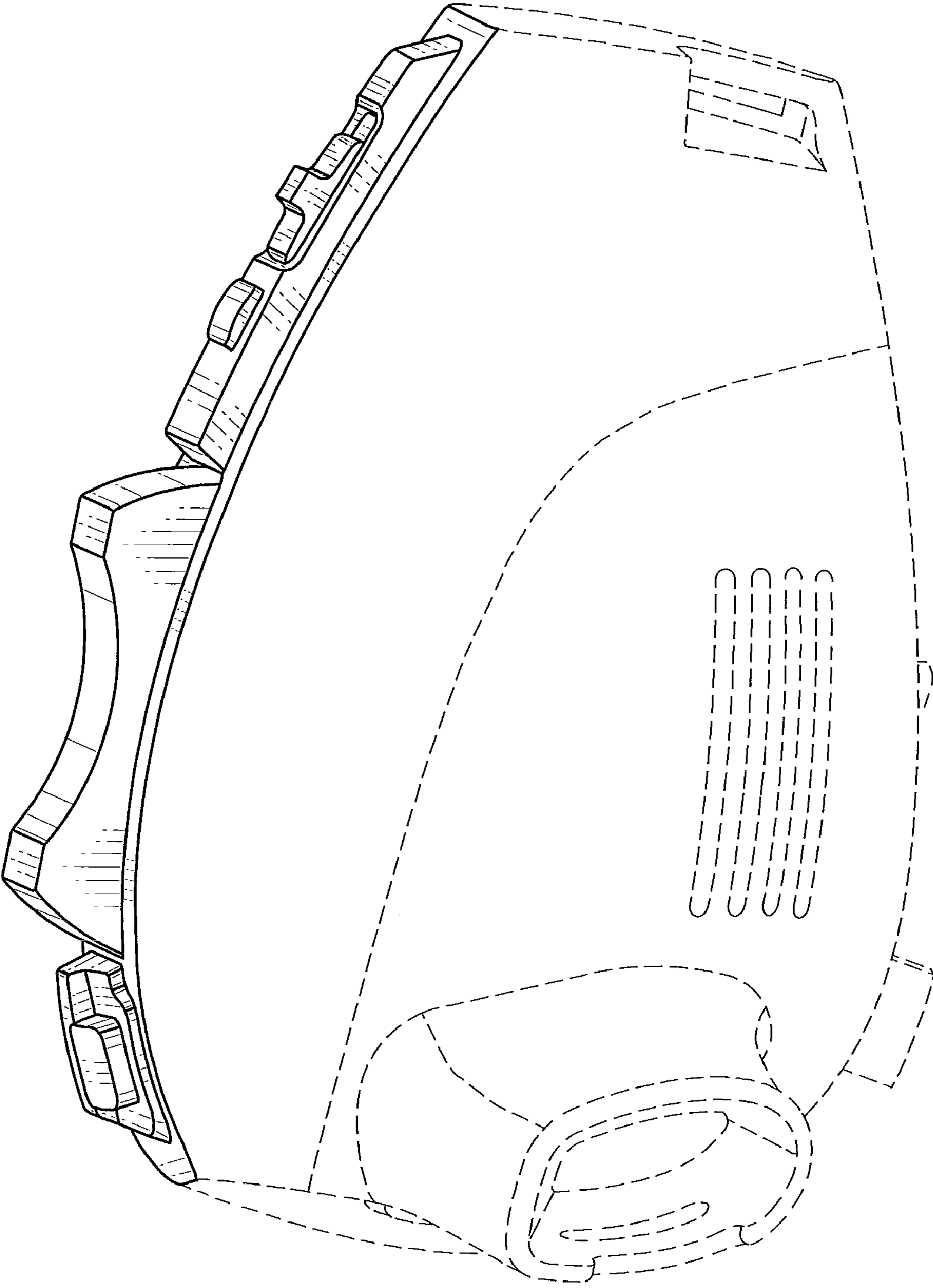


FIG. 2

FIG. 3



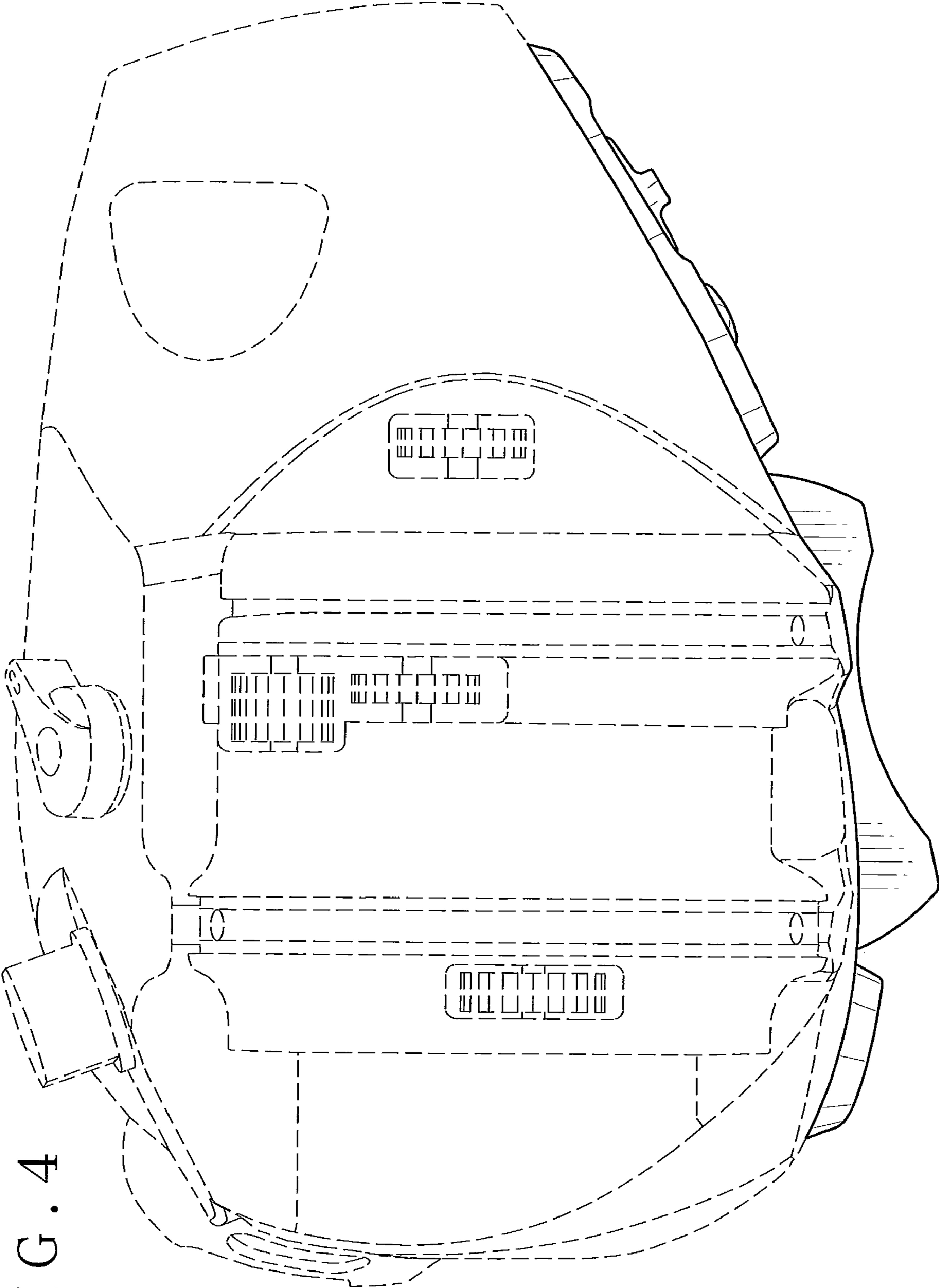


FIG. 4

FIG. 5

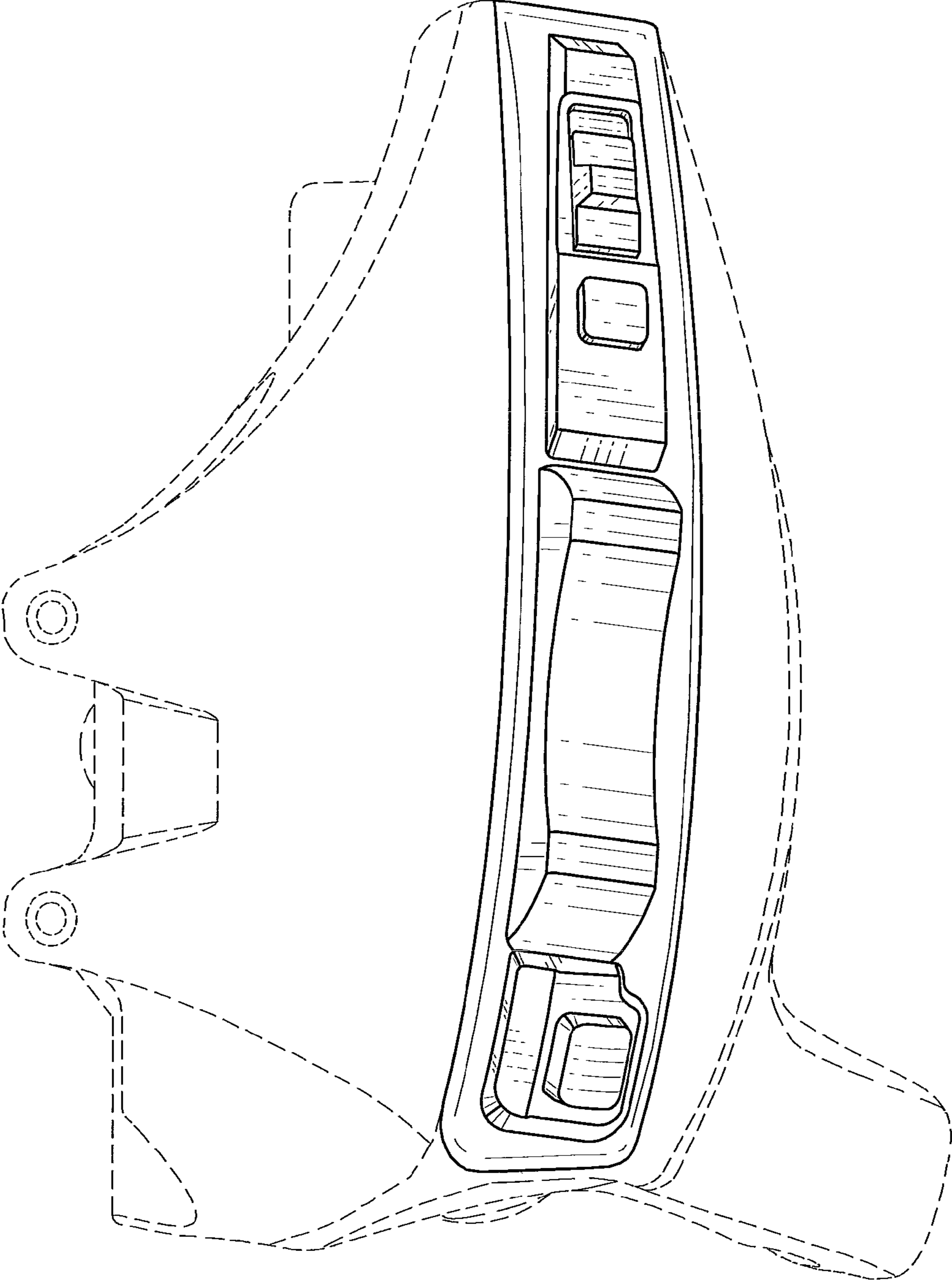


FIG. 6

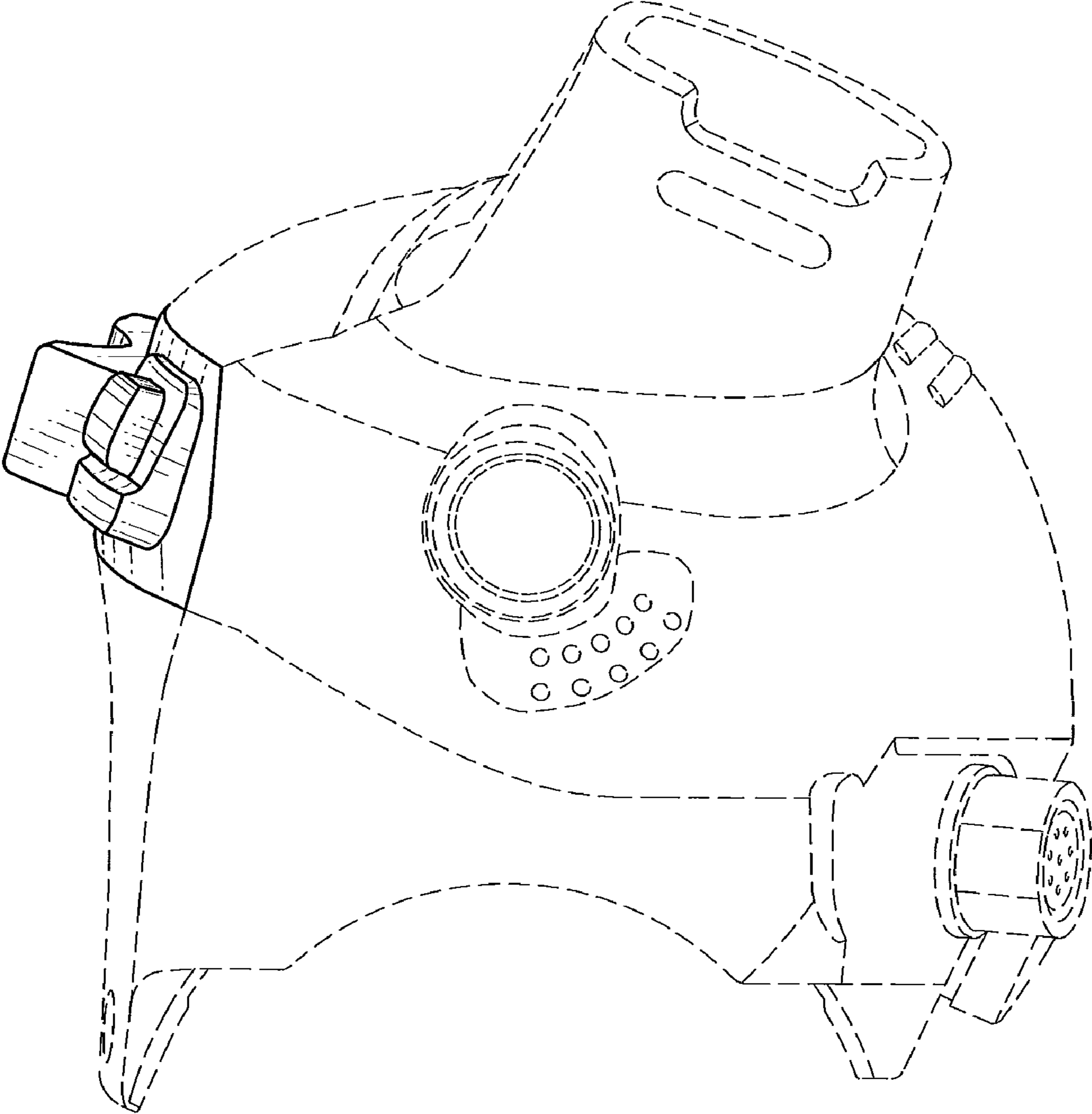
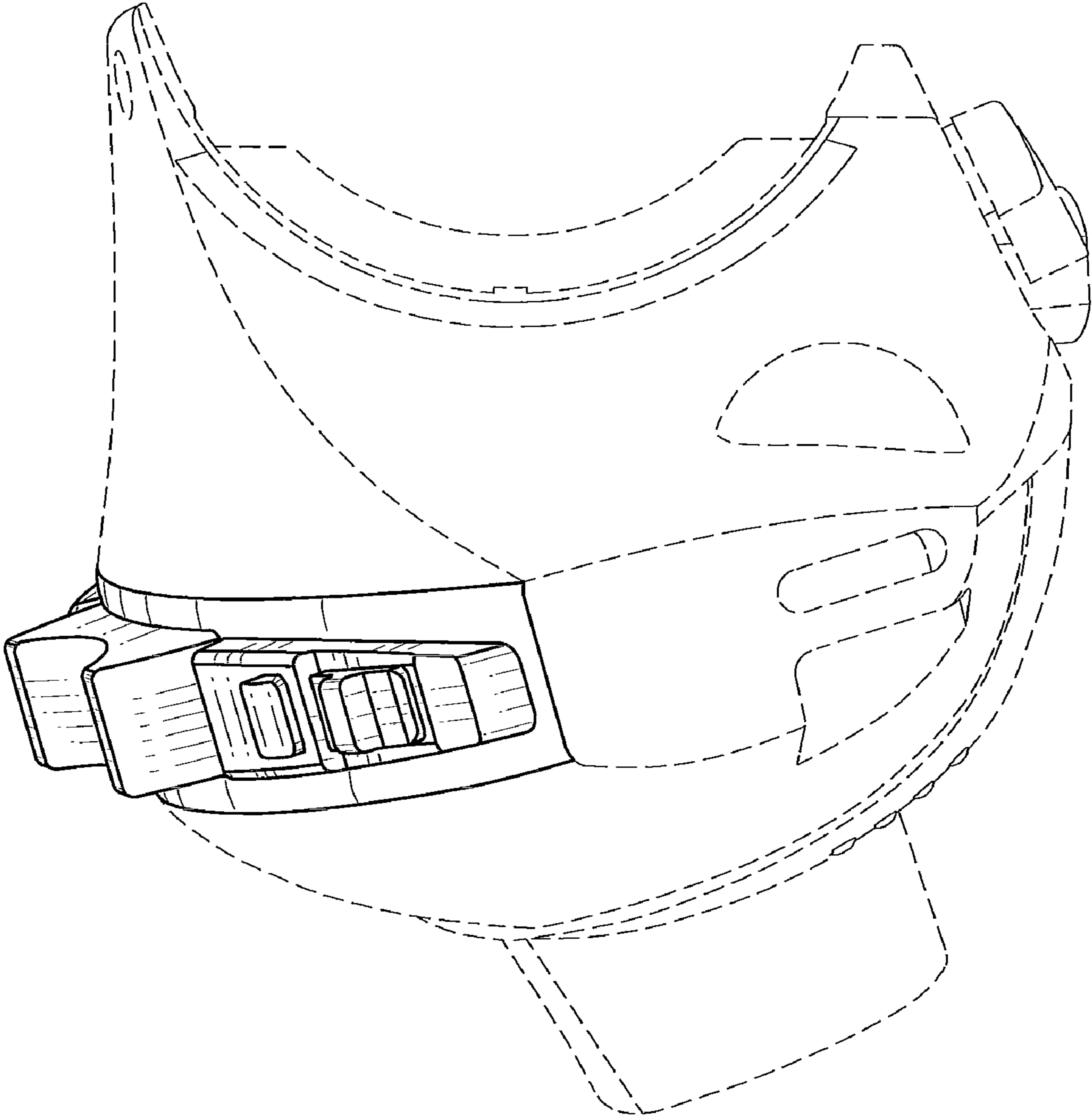


FIG. 7



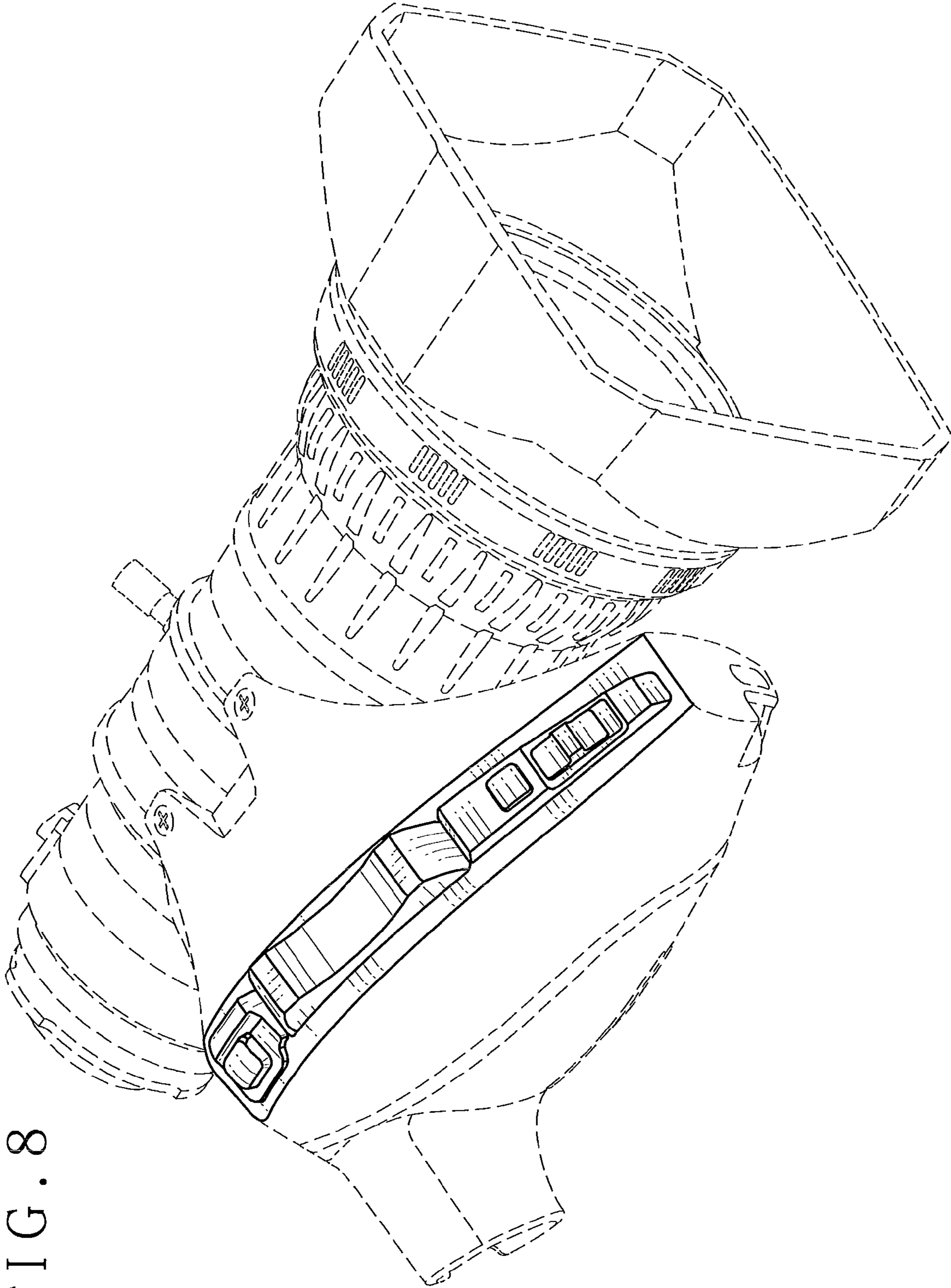


FIG. 8