



US00D615117S

(12) **United States Design Patent**
Isozaki

(10) **Patent No.:** **US D615,117 S**

(45) **Date of Patent:** **** May 4, 2010**

(54) **GRIP FOR TELEVISION CAMERA LENS**

D469,792 S * 2/2003 Kawashima D16/134
D508,702 S * 8/2005 Hayashi D16/136
6,942,400 B2 * 9/2005 Shibayama 396/423

(75) Inventor: **Makoto Isozaki**, Tokyo (JP)

(73) Assignee: **FUJINON Corporation**, Saitama (JP)

* cited by examiner

(**) Term: **14 Years**

Primary Examiner—Adir Aronovich
(74) *Attorney, Agent, or Firm*—Birch, Stewart, Kolasch & Birch, LLP

(21) Appl. No.: **29/336,200**

(22) Filed: **Apr. 29, 2009**

(57) **CLAIM**

(30) **Foreign Application Priority Data**

The ornamental design for a grip for television camera lens, as shown and described.

Jun. 11, 2008 (JP) 2008-028484

(51) **LOC (9) Cl.** **16-05**

(52) **U.S. Cl.** **D16/243**; D16/136

(58) **Field of Classification Search** D16/134,
D16/136, 200, 208, 219, 243; 348/373–376;
359/815, 827; 396/423, 535, 544
See application file for complete search history.

DESCRIPTION

FIG. 1 is a top, front and left side perspective view of a grip for television camera lens showing my new design;

FIG. 2 is a front elevational view thereof;

FIG. 3 is a bottom plan view thereof;

FIG. 4 is a left side elevational view thereof; and,

FIG. 5 is a top, front and right side perspective view showing the present article attached to the television camera lens.

The portions of the grip for television camera lens in broken lines are shown for illustrative purposes only and form no part of the claimed design.

(56) **References Cited**

U.S. PATENT DOCUMENTS

4,757,335 A * 7/1988 Muryoi et al. 396/423
5,343,263 A * 8/1994 Takemae et al. 396/535
5,715,491 A * 2/1998 Pankhurst 396/423
D401,264 S * 11/1998 Miyamoto D16/243
5,946,512 A * 8/1999 Lavine et al. 396/423

1 Claim, 5 Drawing Sheets

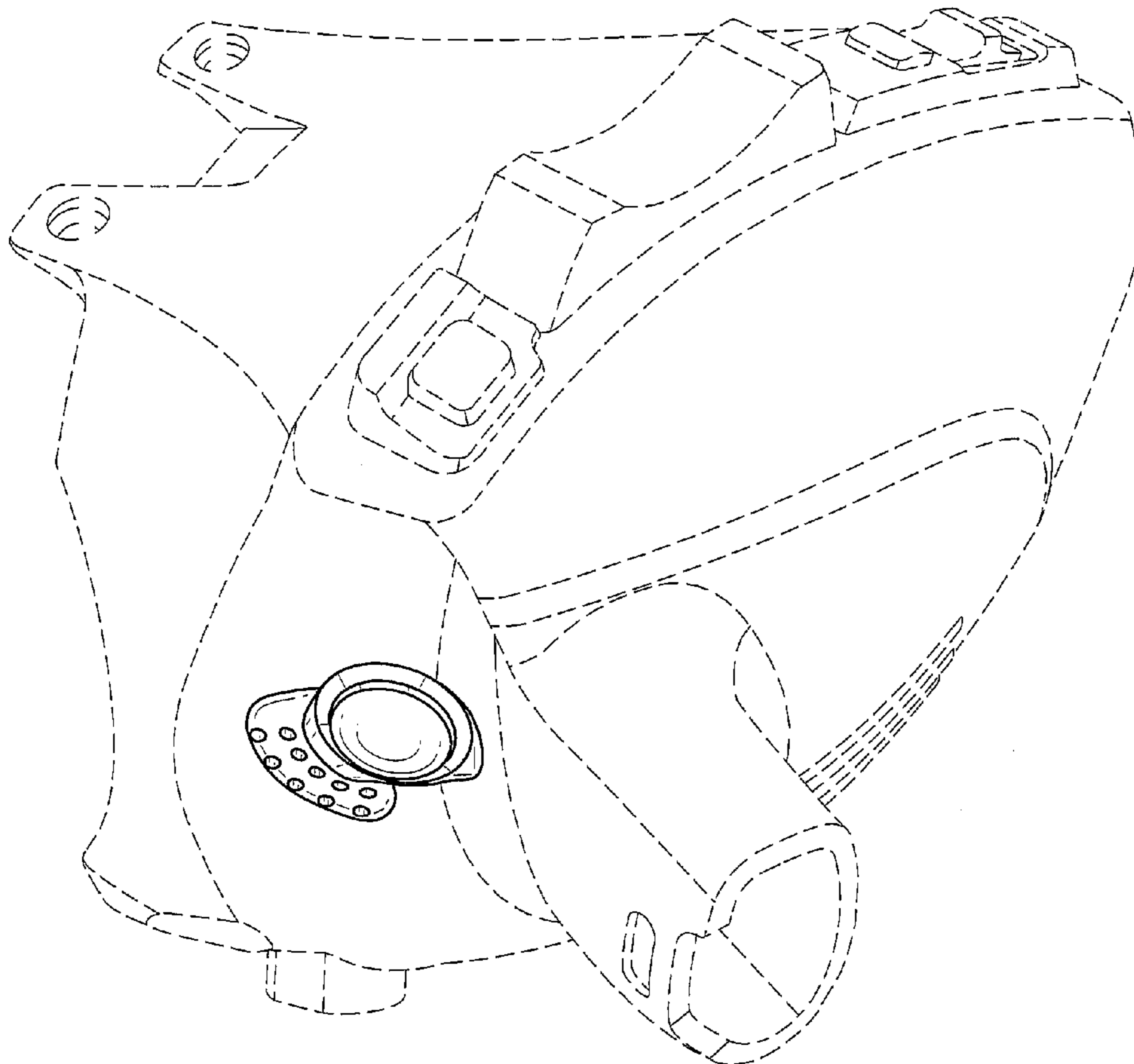


FIG. 1

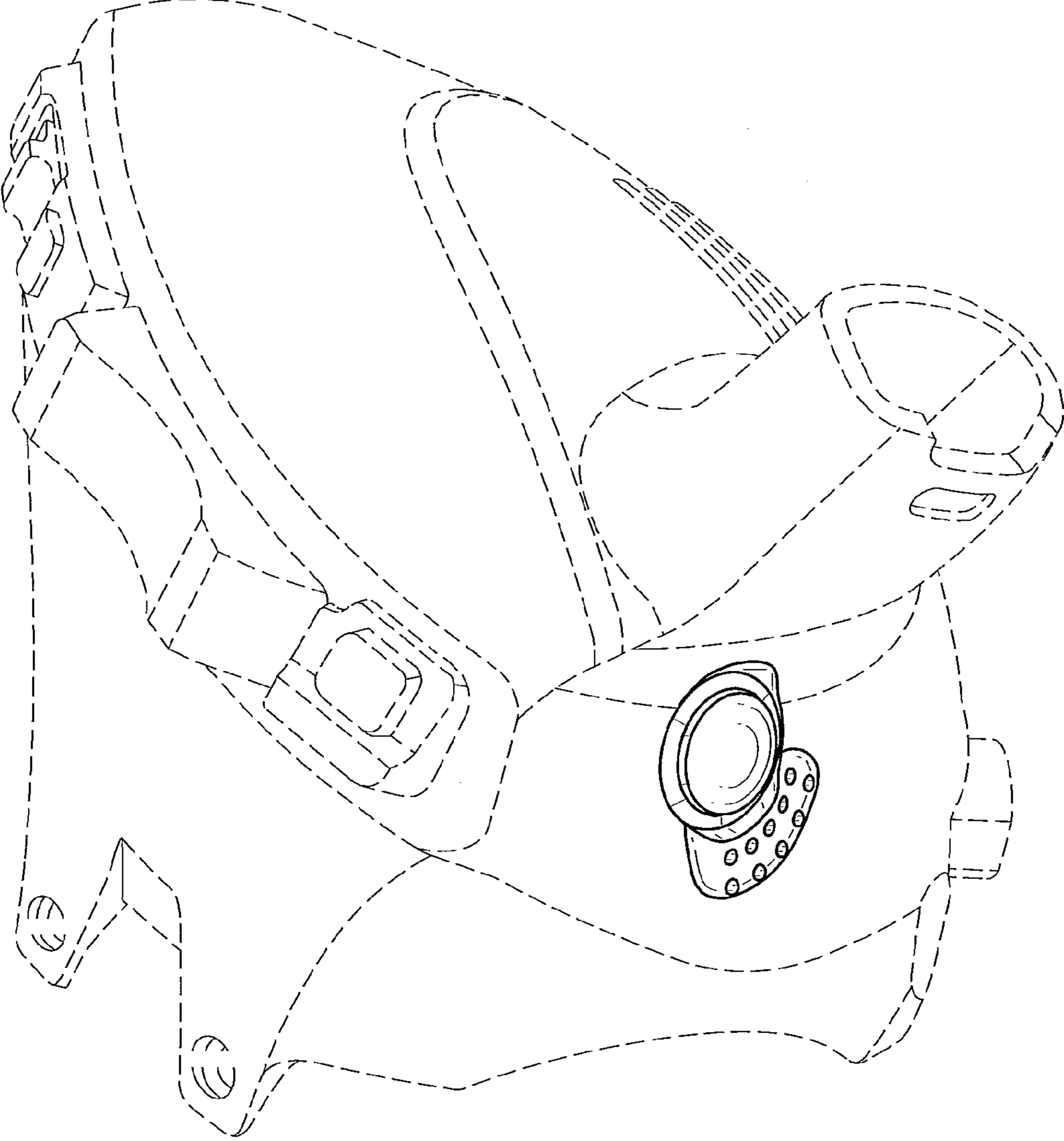


FIG. 2

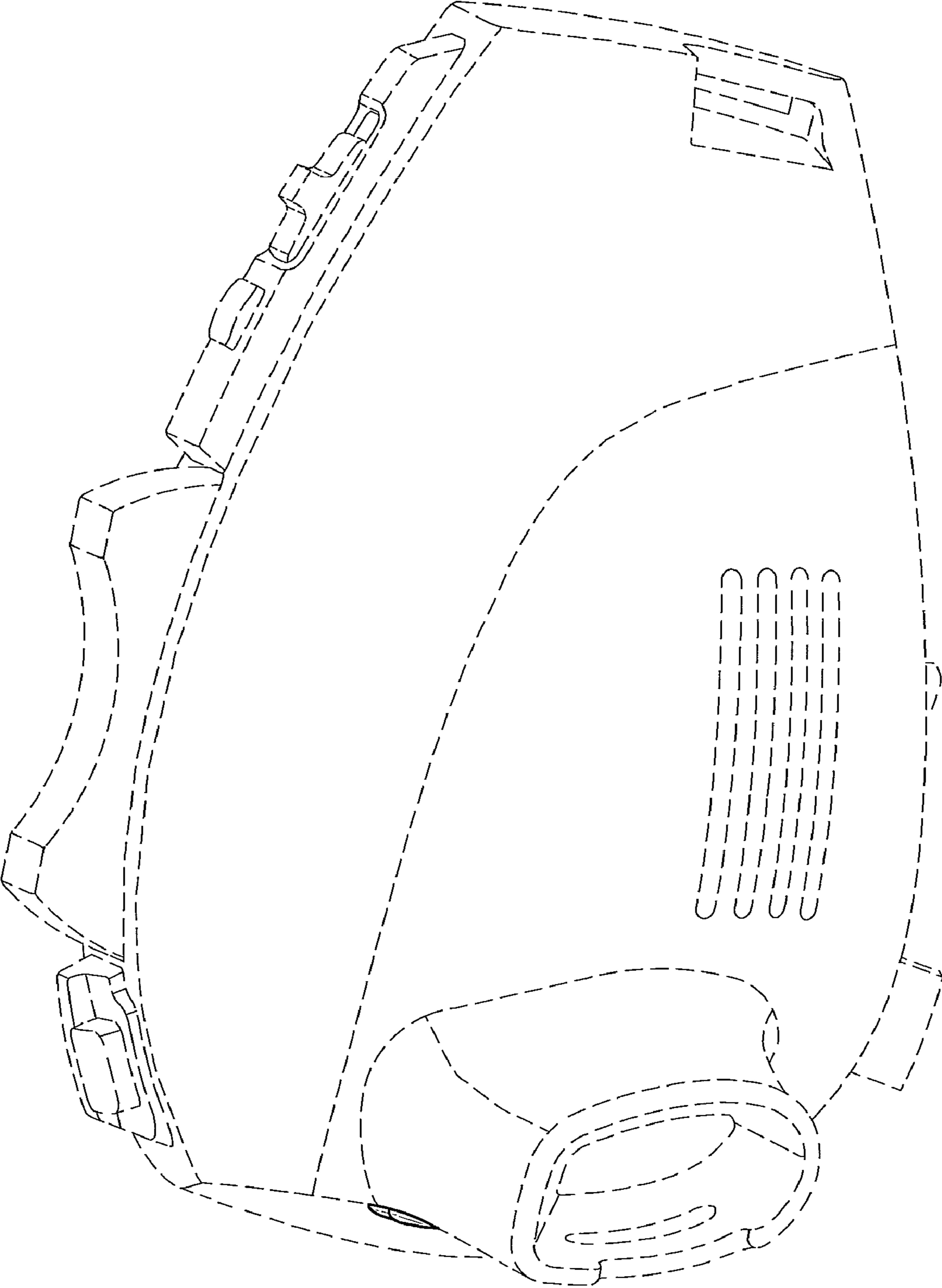


FIG. 3

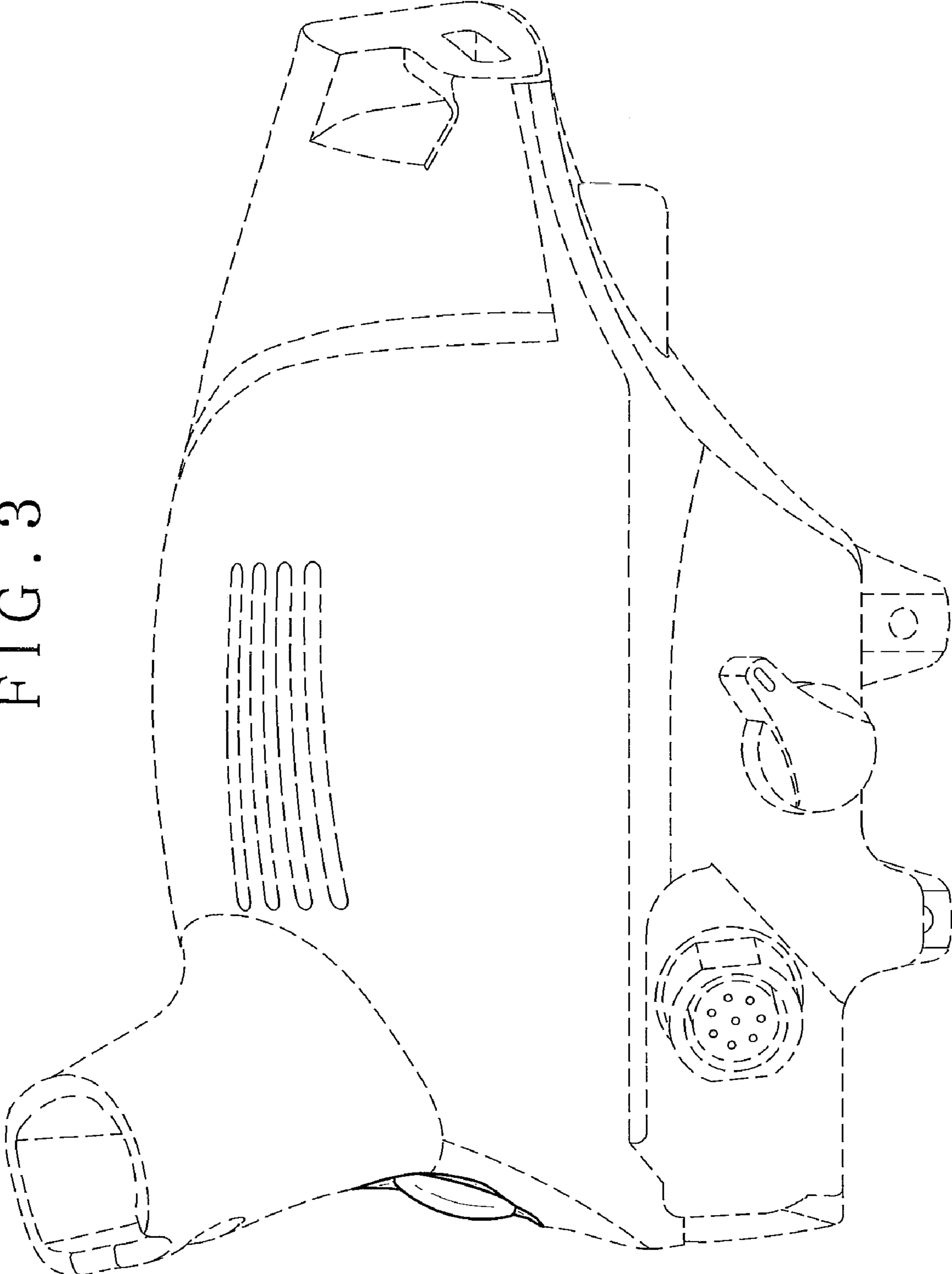
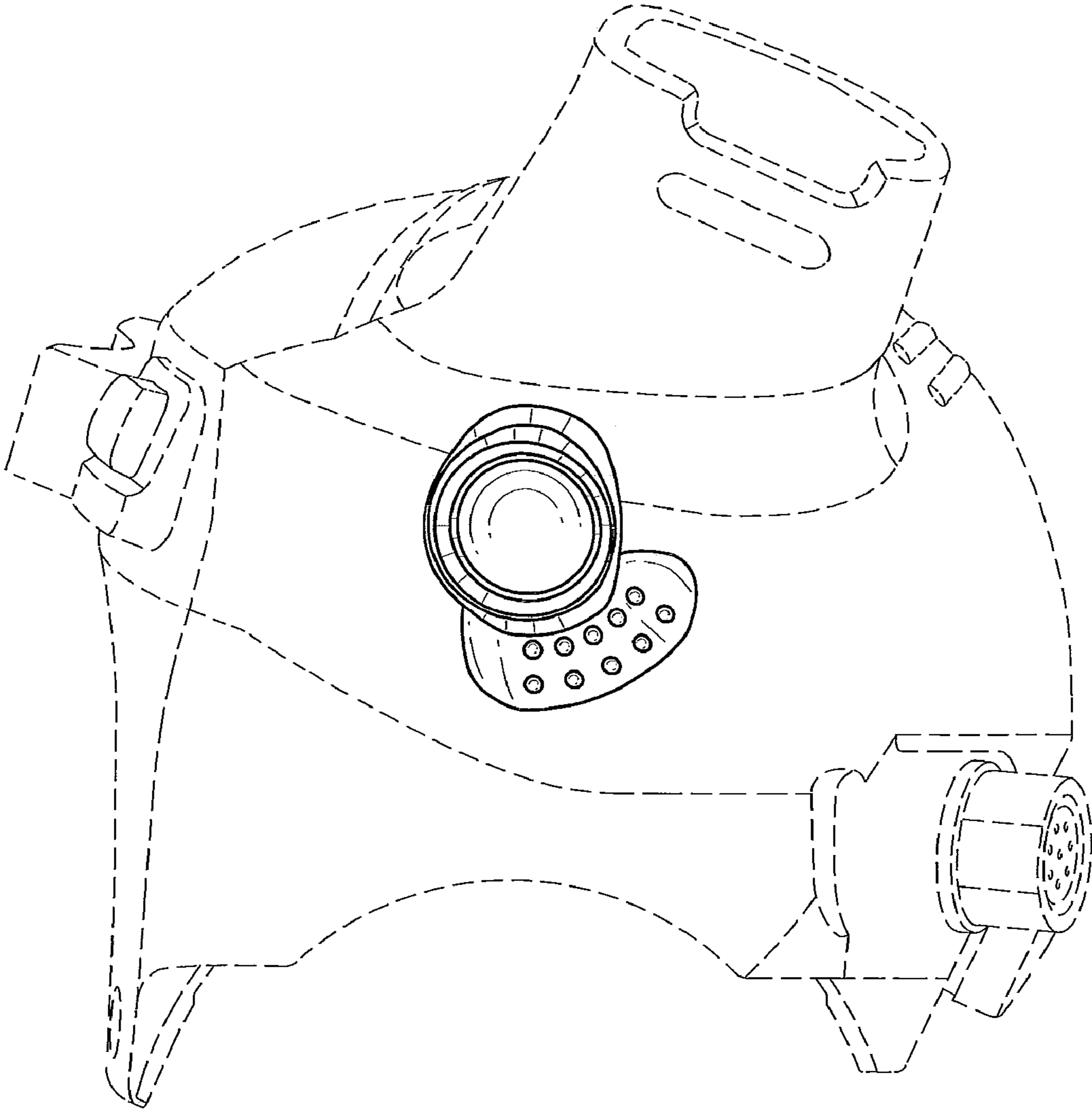


FIG. 4



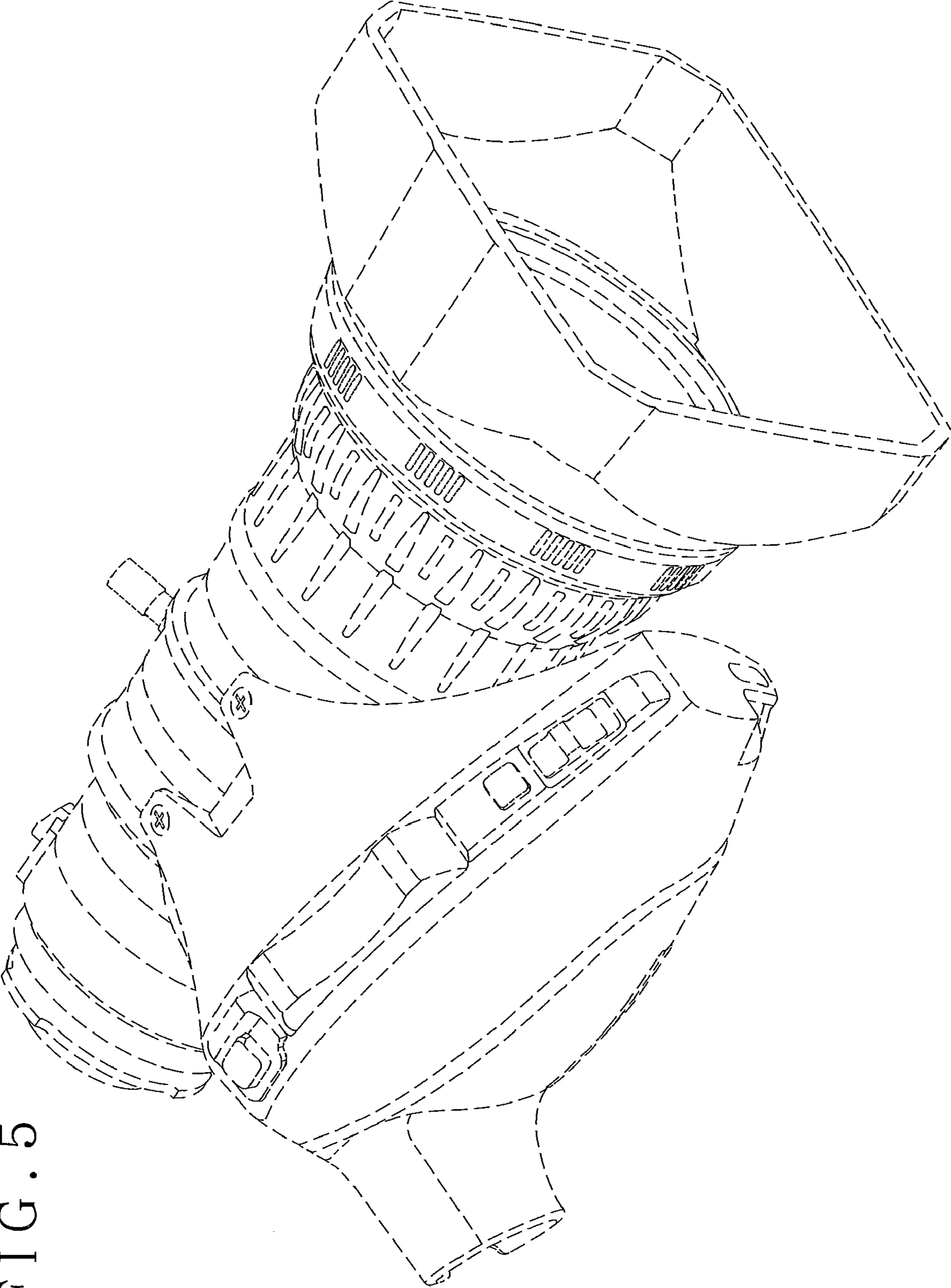


FIG. 5