



US00D615116S

(12) **United States Design Patent**
Wase

(10) **Patent No.:** **US D615,116 S**

(45) **Date of Patent:** **** May 4, 2010**

(54) **REMOTE CONTROL FOR AN INFRARED CAMERA**

D451,529 S * 12/2001 Vasquez D16/237
D464,948 S * 10/2002 Vasquez et al. D14/218
D553,580 S * 10/2007 Hobson D13/164
D573,628 S * 7/2008 Sakamoto D16/237

(75) Inventor: **Lars Wase**, Danderyd (SE)

* cited by examiner

(73) Assignee: **FLIR Systems AB**, Danderyd (SE)

Primary Examiner—Adir Aronovich

(**) Term: **14 Years**

(74) *Attorney, Agent, or Firm*—Schwegman, Lundberg & Woessner, P.A.

(21) Appl. No.: **29/310,549**

(22) Filed: **Aug. 25, 2008**

(57) **CLAIM**

(30) **Foreign Application Priority Data**

The ornamental design for a remote control for an infrared camera, as shown and described.

Feb. 29, 2008 (EM) 000889290

DESCRIPTION

(51) **LOC (9) Cl.** **16-05**

FIG. 1 is a top and left side perspective of a remote control for an infrared camera according to my new design;

(52) **U.S. Cl.** **D16/237; D14/218**

FIG. 2 is a front elevational view thereof;

(58) **Field of Classification Search** D13/164,
D13/168; D14/218; 348/164, 373, 375,
348/376; 396/535, 544

FIG. 3 is a rear elevational view thereof;

See application file for complete search history.

FIG. 4 is a right side elevational view thereof;

FIG. 5 is a left side elevational view thereof;

(56) **References Cited**

FIG. 6 is a top plan view thereof; and,

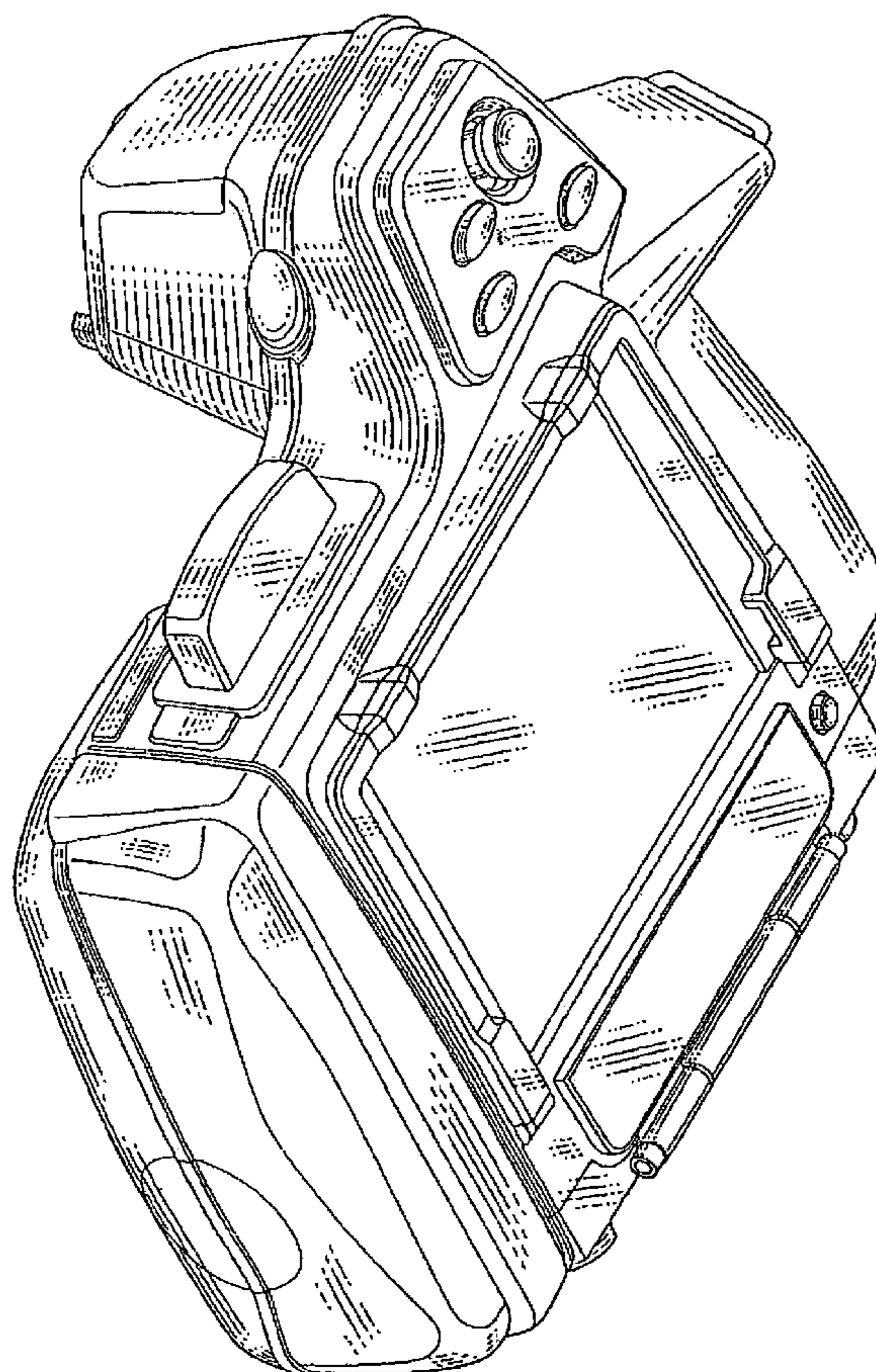
FIG. 7 is a bottom plan view thereof.

U.S. PATENT DOCUMENTS

D338,045 S * 8/1993 Rosen D21/329

D416,910 S * 11/1999 Vasquez D14/218

1 Claim, 4 Drawing Sheets



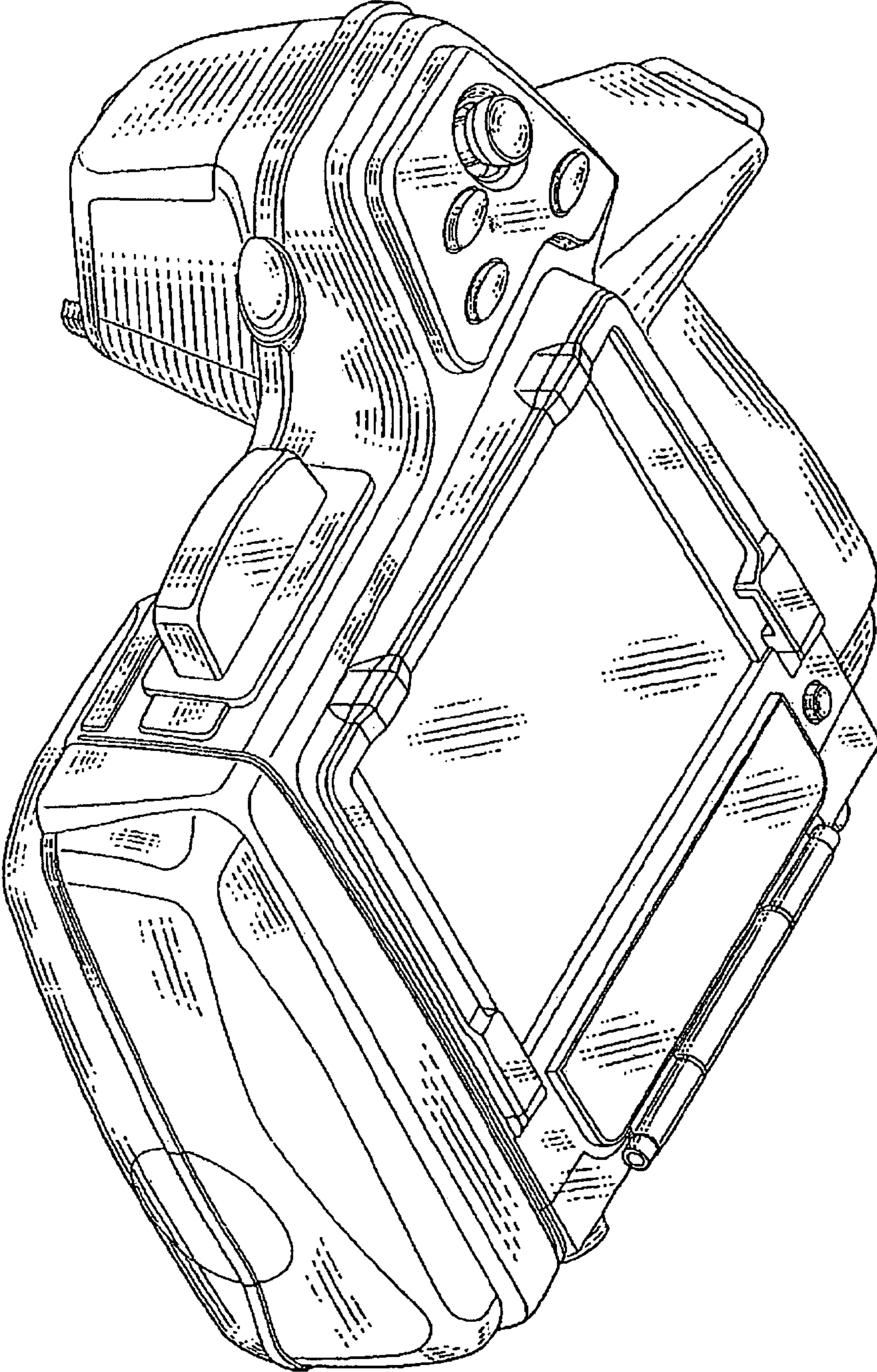


Fig. 1

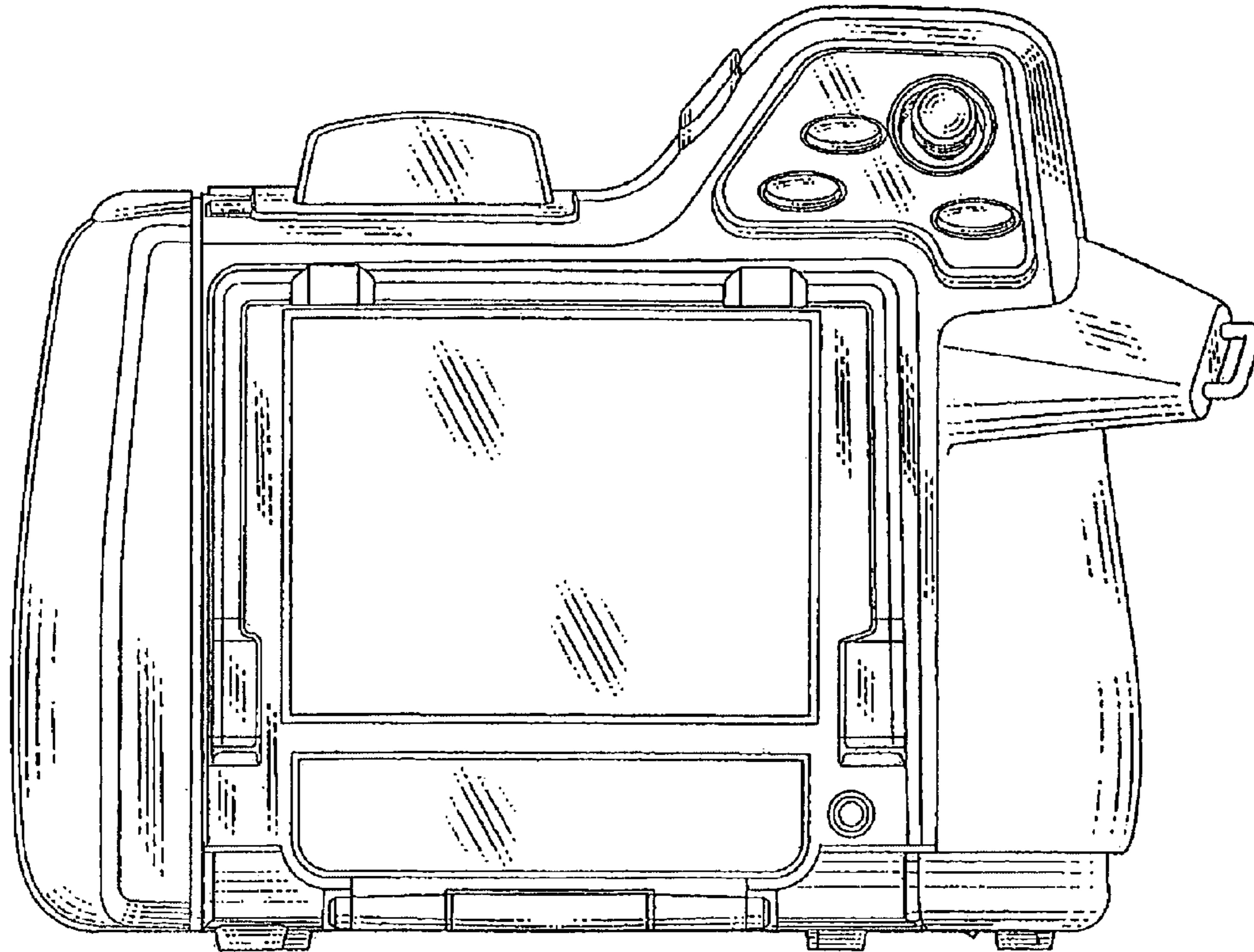


Fig. 2

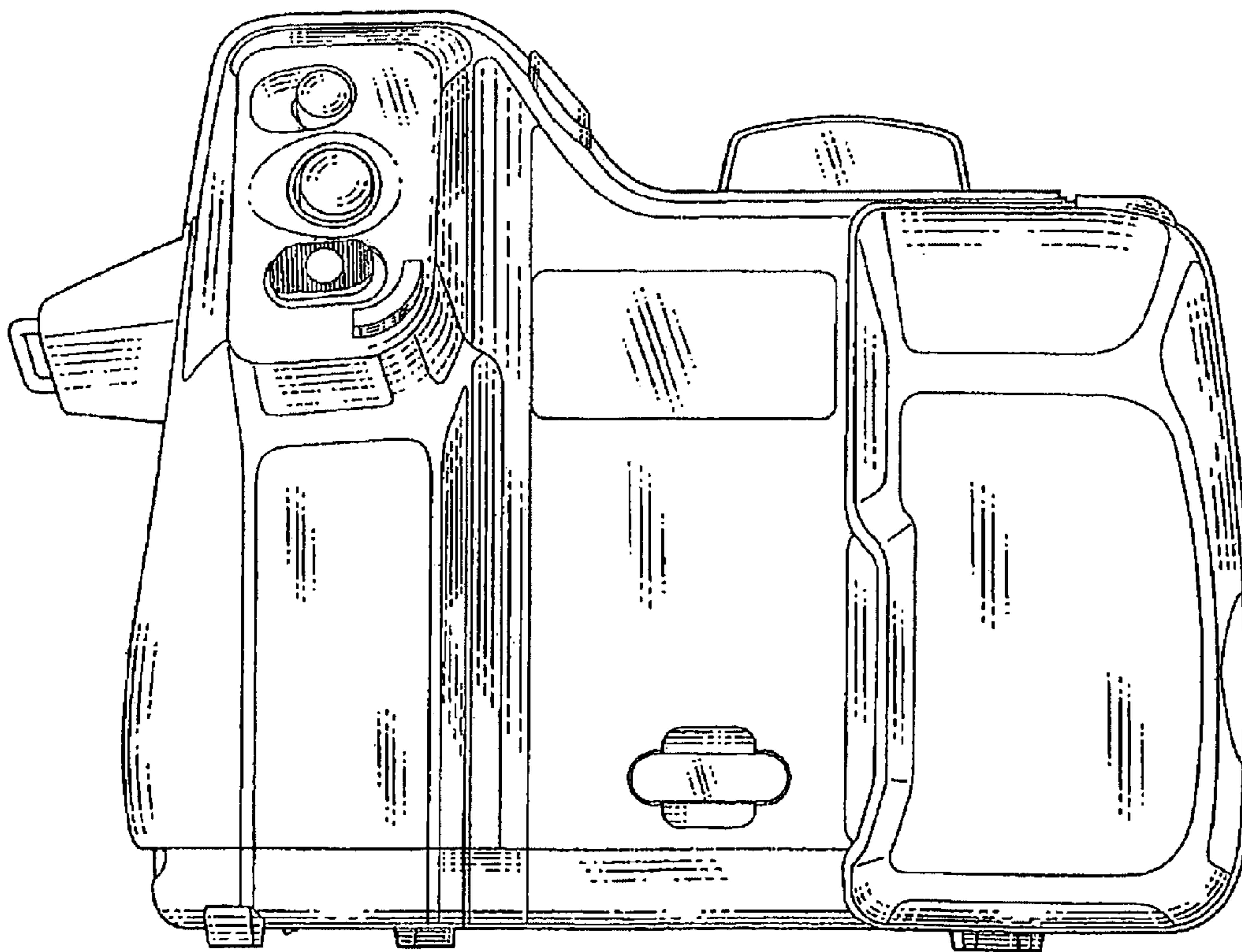


Fig. 3

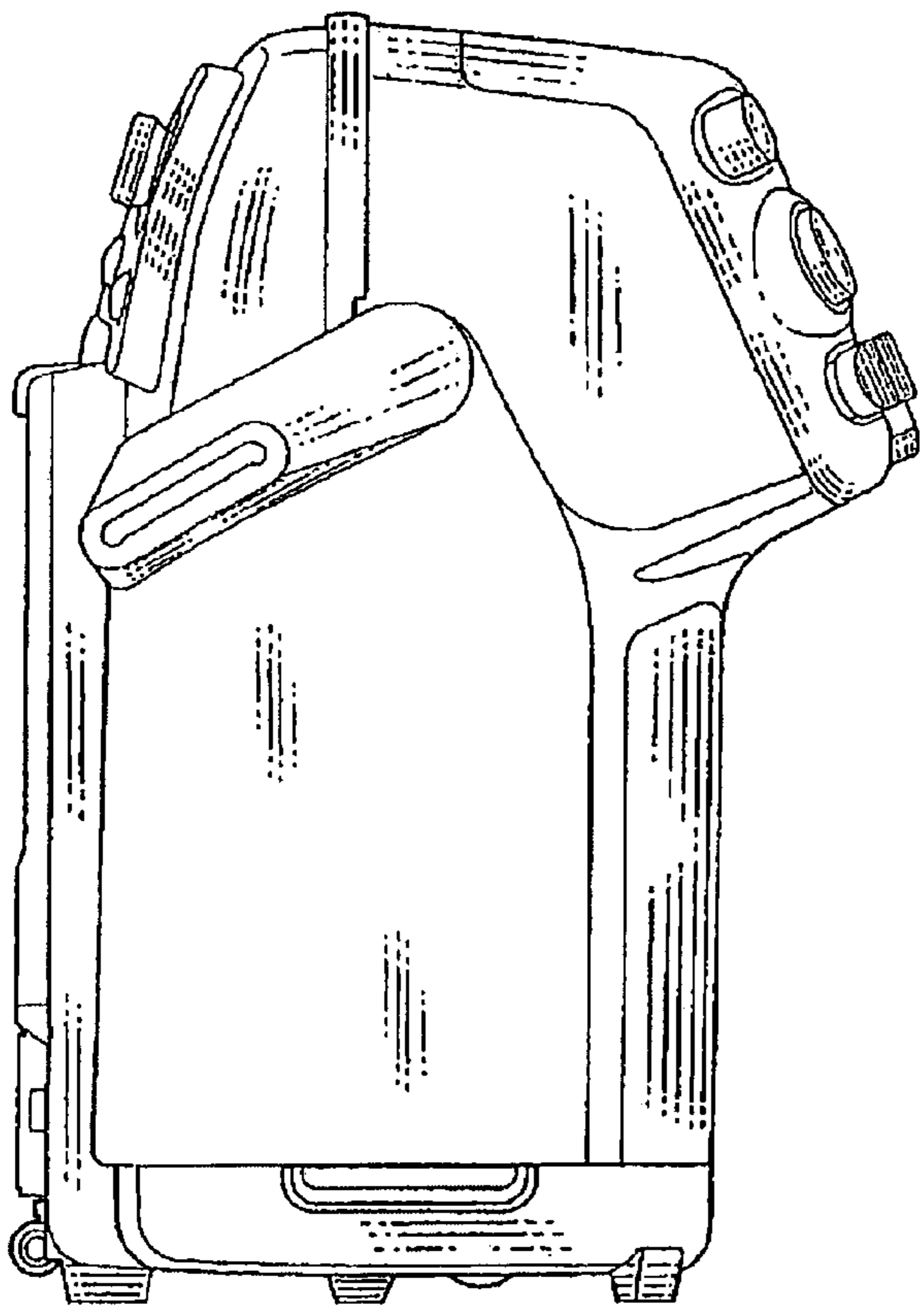


Fig. 4

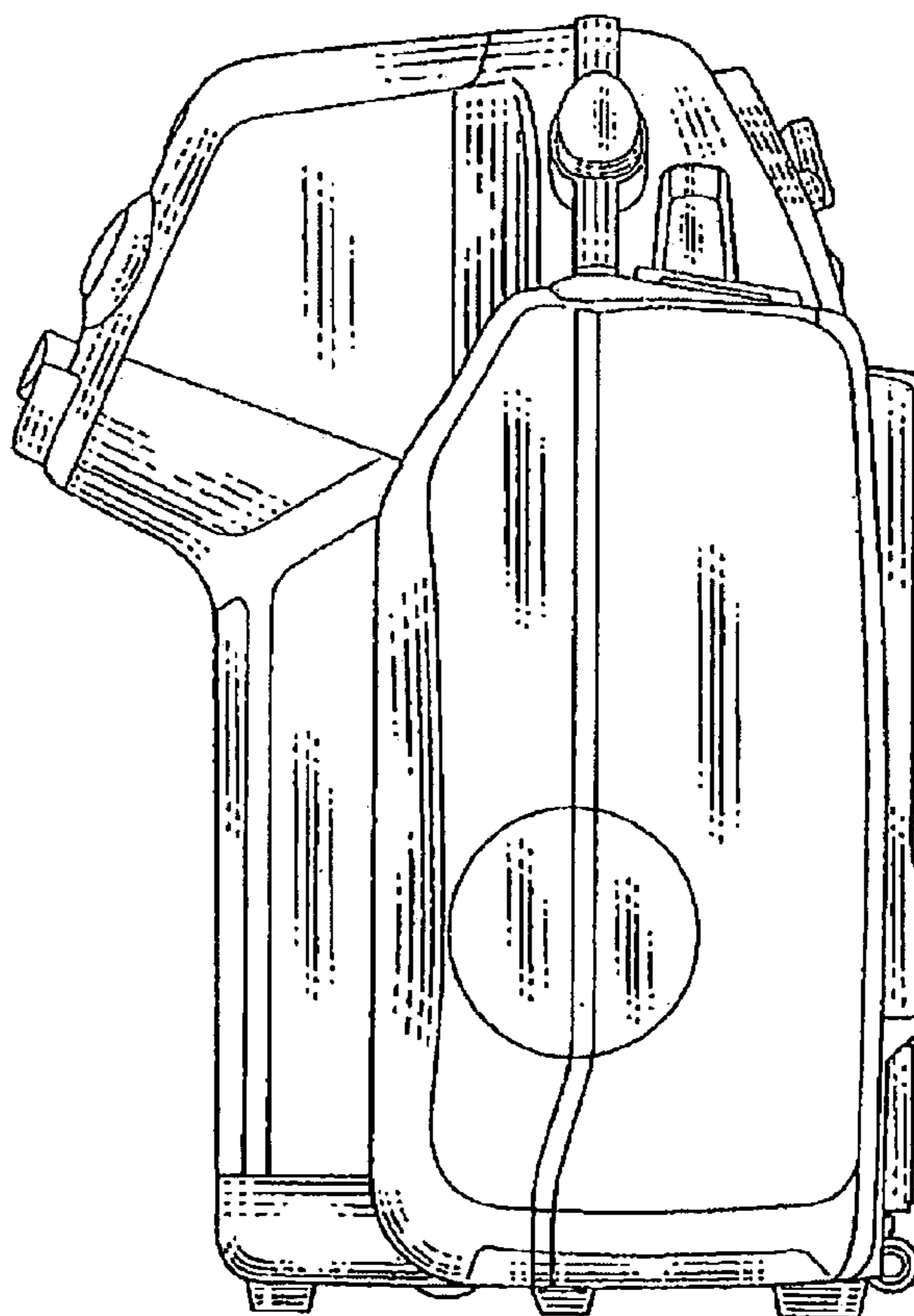


Fig. 5

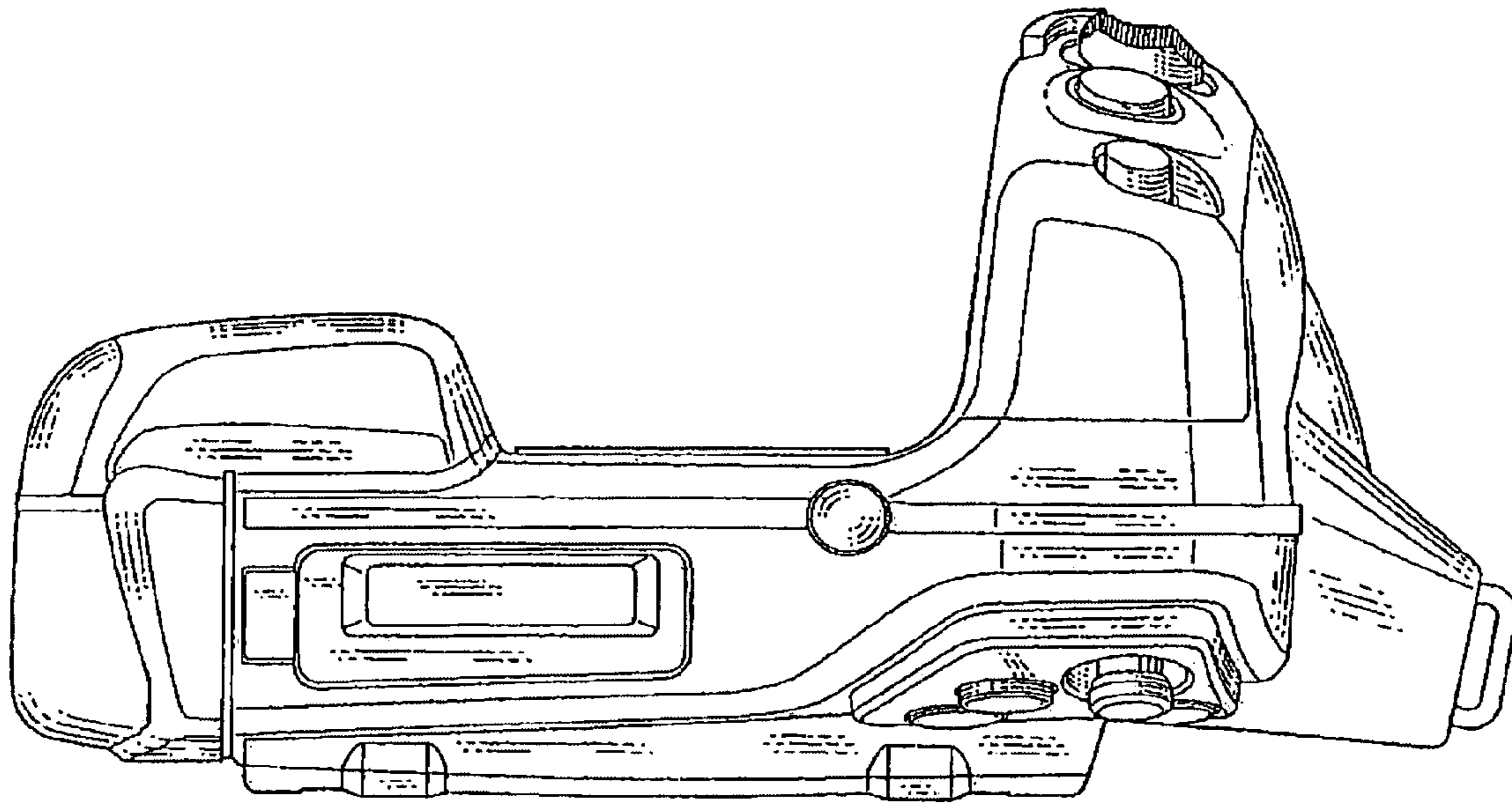


Fig. 6

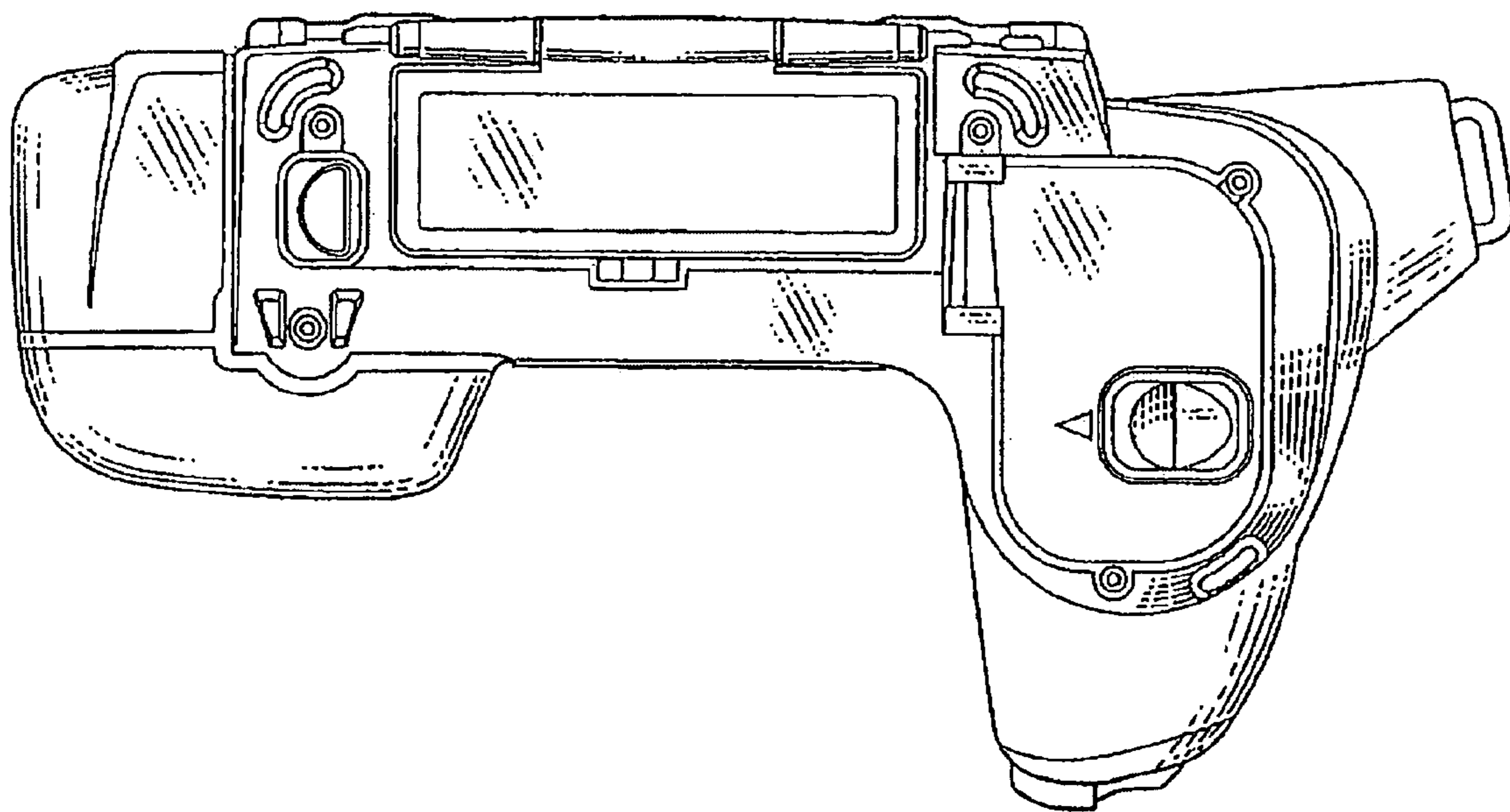


Fig. 7