



US00D615115S

(12) **United States Design Patent**
Arnold et al.

(10) **Patent No.:** **US D615,115 S**

(45) **Date of Patent:** **** May 4, 2010**

(54) **SURVEILLANCE CAMERA PENDANT
MOUNT HOUSING**

(75) Inventors: **Kathleen Elaine Arnold**, York, PA (US);
Bashar Abdo, Lancaster, PA (US)

(73) Assignee: **Robert Bosch GmbH**, Stuttgart (DE)

(**) Term: **14 Years**

(21) Appl. No.: **29/335,489**

(22) Filed: **Apr. 16, 2009**

(51) **LOC (9) Cl.** **16-01**

(52) **U.S. Cl.** **D16/203**

(58) **Field of Classification Search** D16/200–204,
D16/218, 219; 348/143, 151, 373–376; 396/427,
396/535–541

See application file for complete search history.

(56) **References Cited**

U.S. PATENT DOCUMENTS

D424,087 S *	5/2000	Frick et al.	D16/203
D449,630 S	10/2001	Rak et al.		
6,322,258 B1 *	11/2001	Ryan et al.	396/427
D452,696 S	1/2002	Fenton		
D457,904 S *	5/2002	Toste et al.	D16/203
D473,887 S *	4/2003	Jones et al.	D16/203
6,643,456 B1 *	11/2003	Ryan et al.	348/373
6,735,382 B2 *	5/2004	Schneider	396/427
D552,501 S	10/2007	Lin et al.		
D556,236 S	11/2007	Kim		

D558,248 S	12/2007	Togawa et al.		
D560,244 S	1/2008	Naruki		
D561,808 S *	2/2008	Arnold et al.	D16/219
D563,451 S	3/2008	Cheng		
D564,005 S	3/2008	Cheng		
D564,557 S	3/2008	Yamamoto et al.		
D568,361 S *	5/2008	Arnold et al.	D16/203
D575,810 S	8/2008	Alm		
D581,961 S	12/2008	Shioya		
D584,756 S	1/2009	Yamakawa		

* cited by examiner

Primary Examiner—Adir Aronovich

(74) *Attorney, Agent, or Firm*—Sarah L. Taylor, Esq.

(57) **CLAIM**

We claim the ornamental design for a surveillance camera pendant mount housing, as shown and described.

DESCRIPTION

FIG. 1 is a perspective view illustrating our new surveillance camera pendant mount housing design;

FIG. 2 is a left side elevational view thereof;

FIG. 3 is a front elevational view thereof;

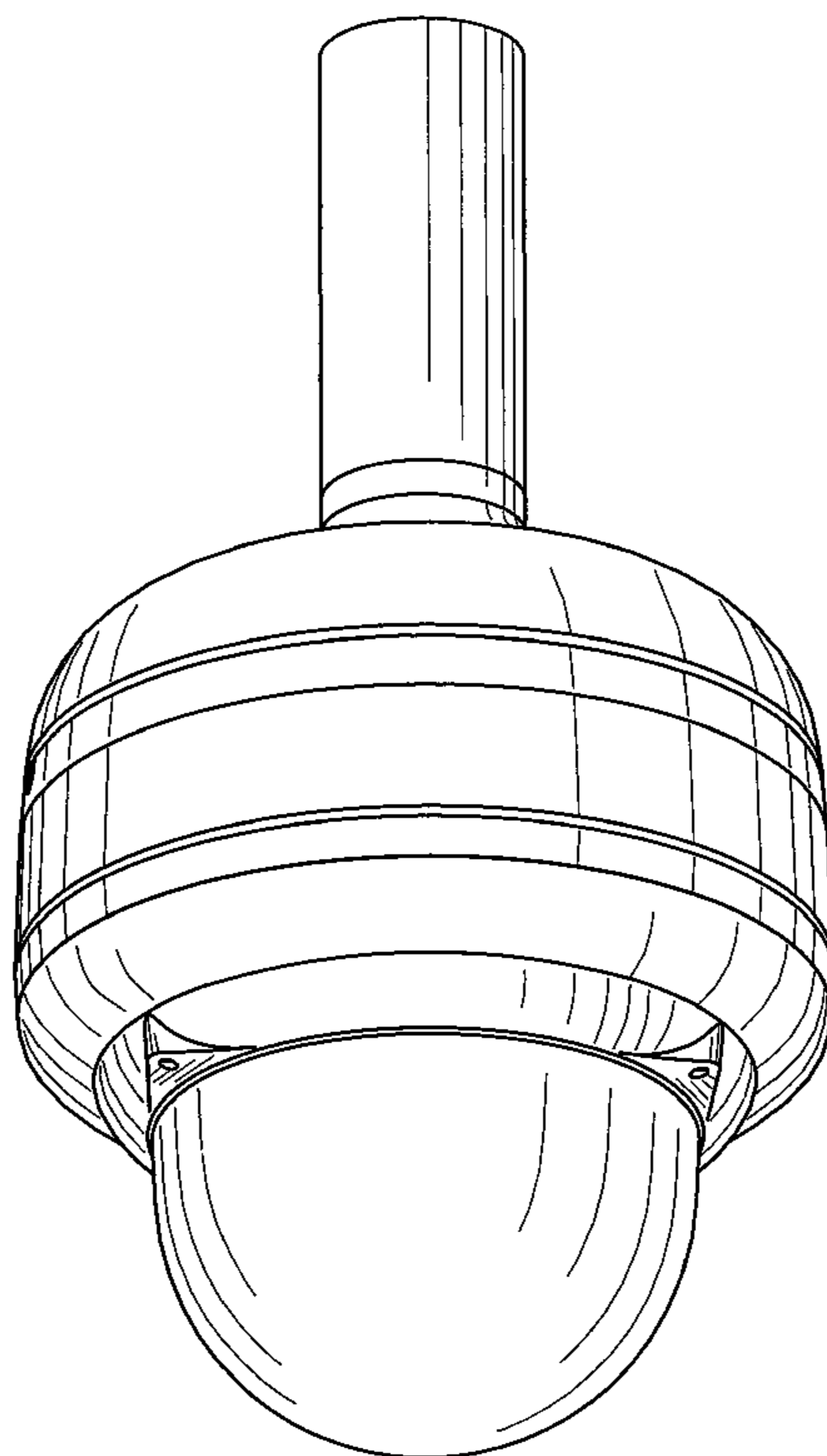
FIG. 4 is a right side elevational view thereof;

FIG. 5 is a rear elevational view thereof;

FIG. 6 is a bottom plan thereof; and,

FIG. 7 is a top plan thereof.

1 Claim, 7 Drawing Sheets



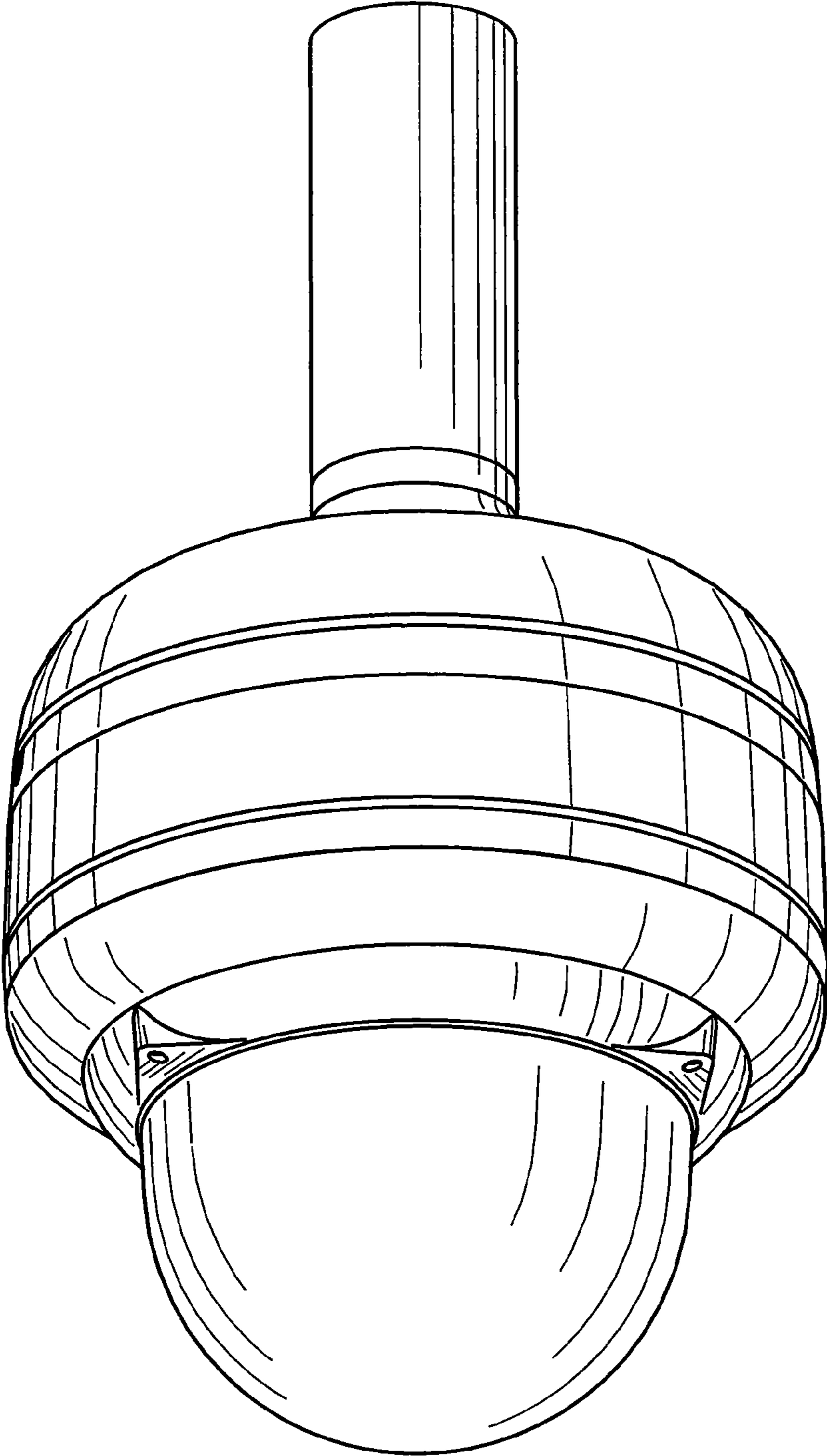


Fig. 1

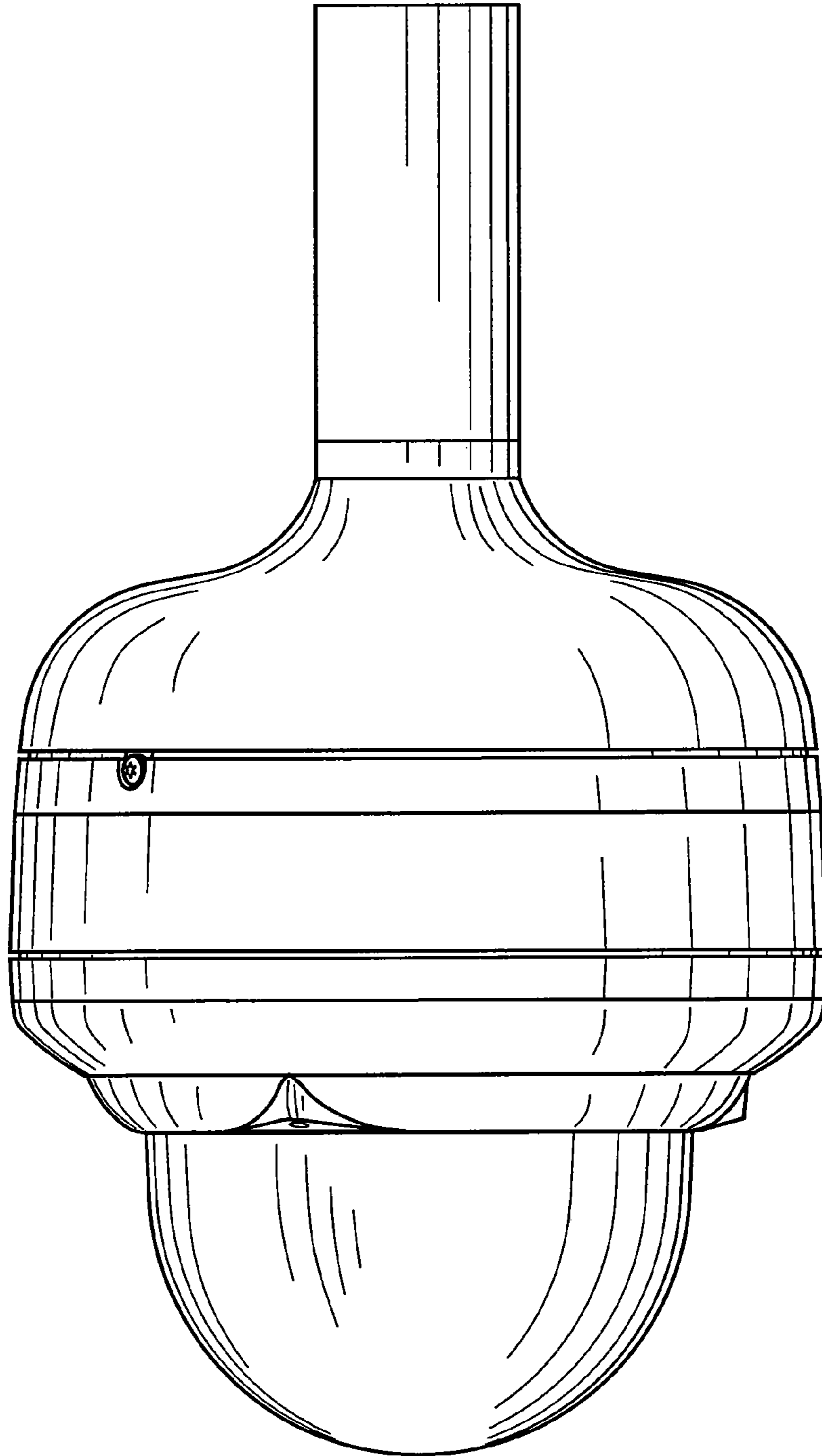


Fig. 2

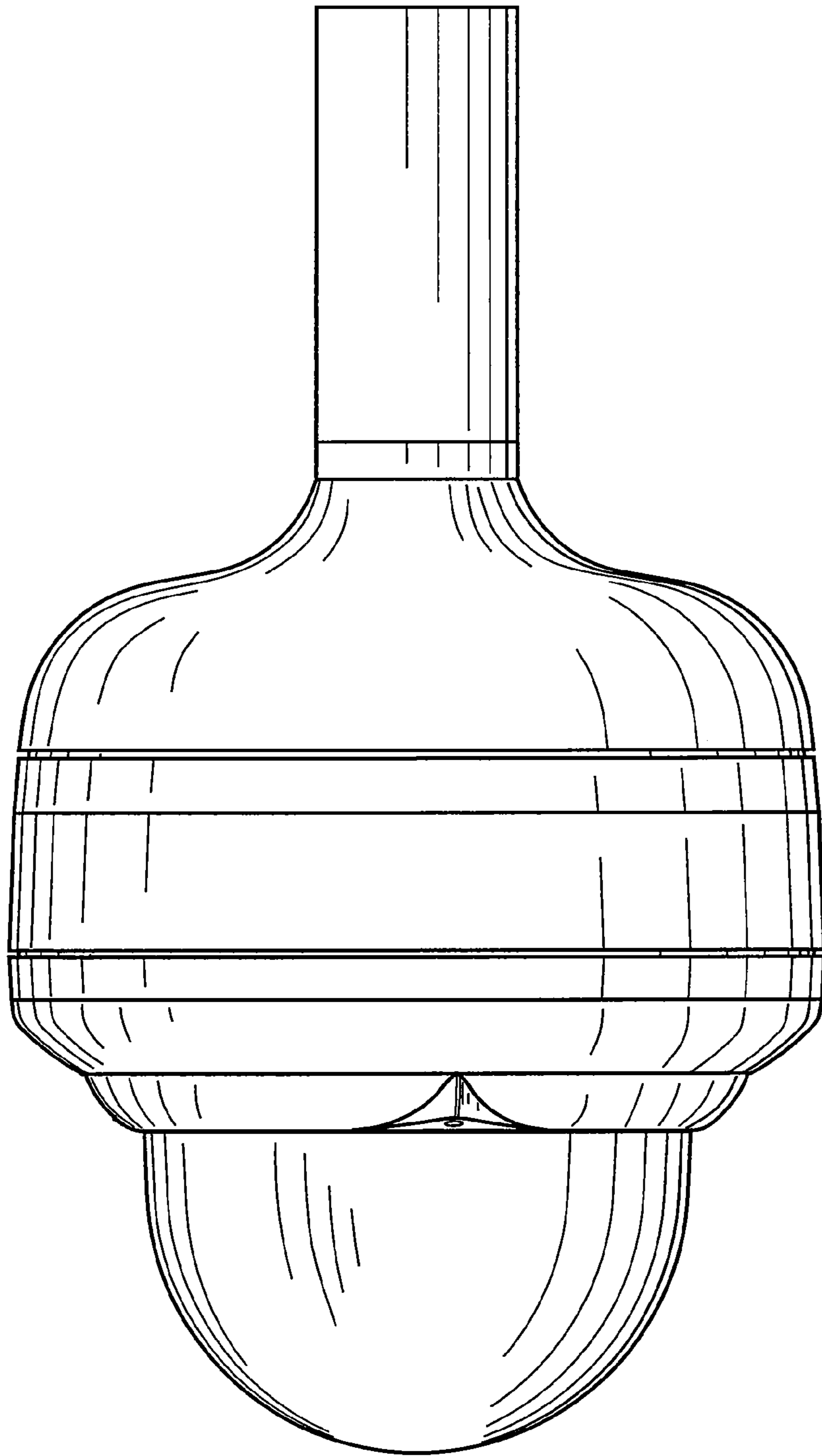


Fig. 3

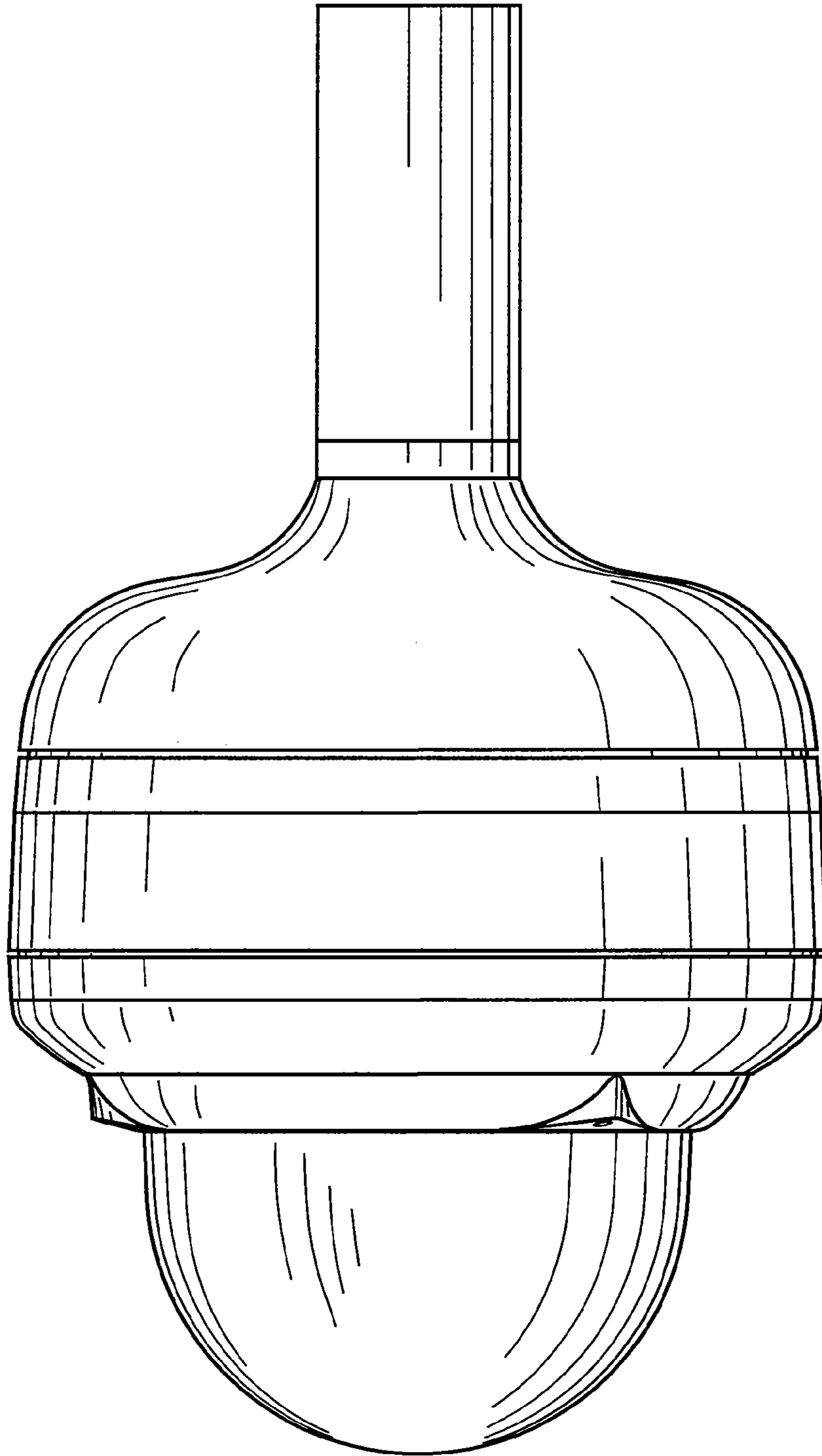


Fig. 4

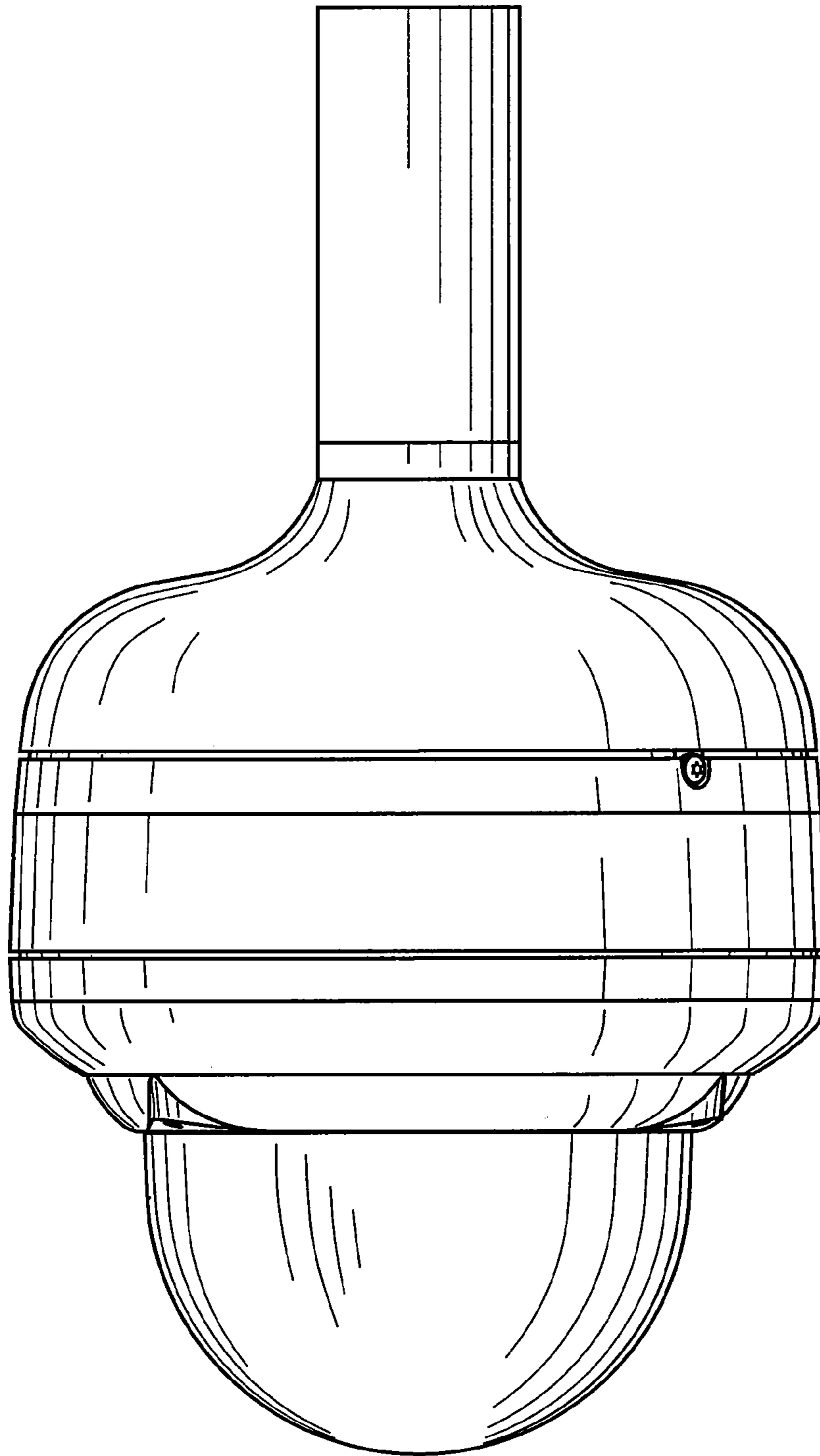


Fig. 5

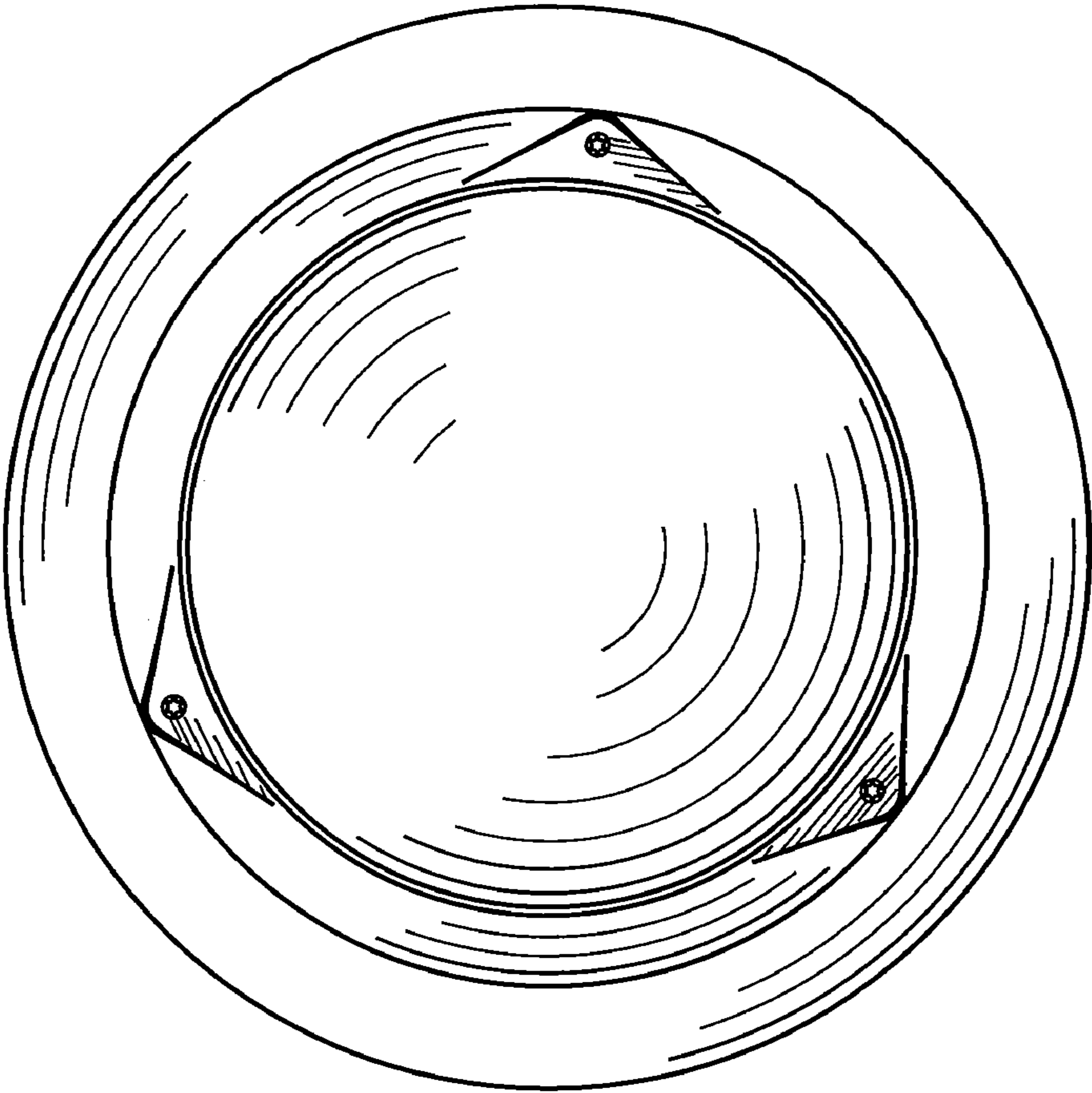


Fig. 6

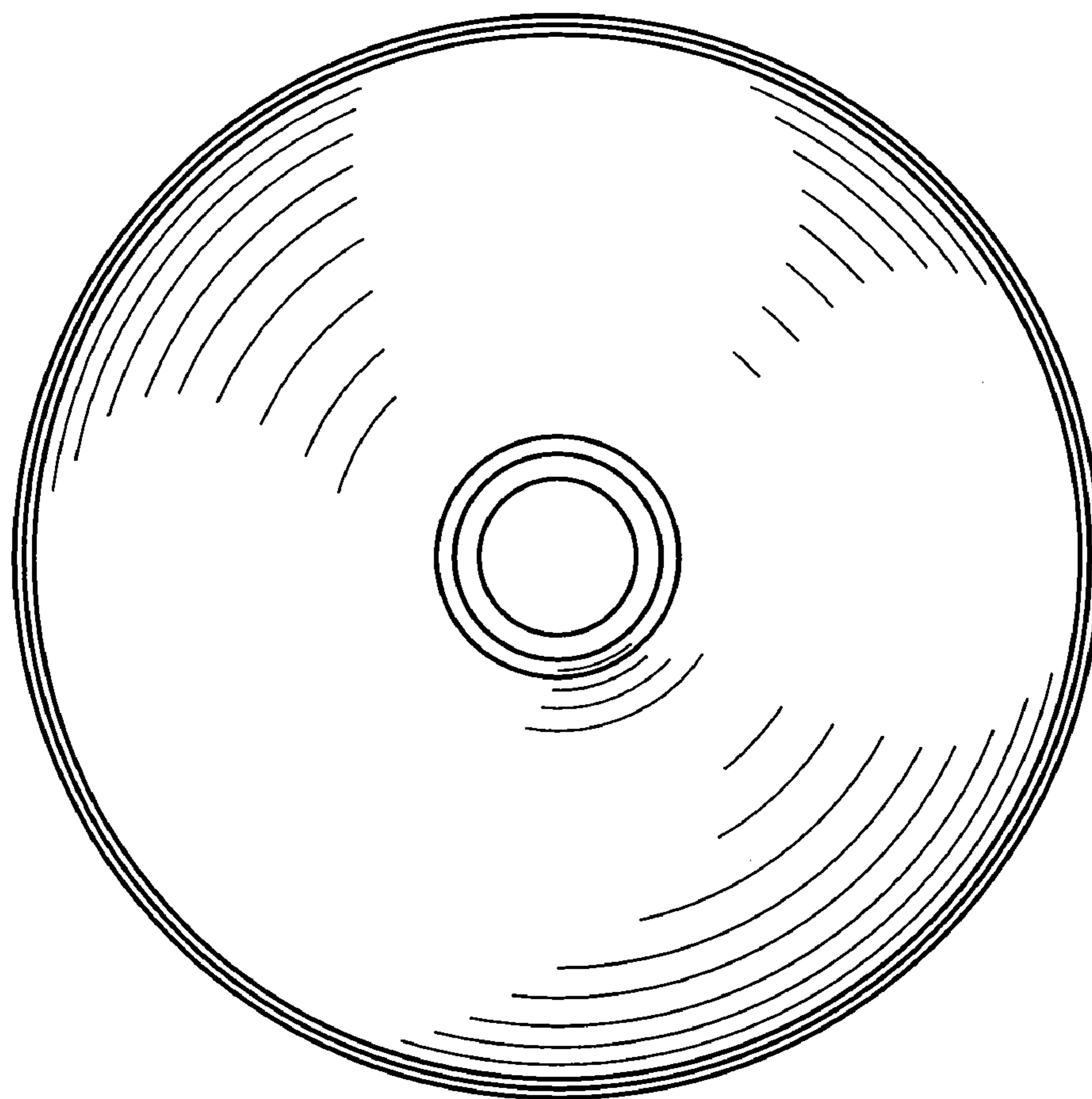


Fig. 7