



US00D615114S

(12) **United States Design Patent**  
**Arnold et al.**

(10) **Patent No.:** **US D615,114 S**  
(45) **Date of Patent:** **\*\* May 4, 2010**

(54) **SURVEILLANCE CAMERA SURFACE MOUNT HOUSING**

(75) Inventors: **Kathleen Elaine Arnold**, York, PA (US);  
**Bashar Abdo**, Lancaster, PA (US)

(73) Assignee: **Robert Bosch GmbH**, Stuttgart (DE)

(\*\*) Term: **14 Years**

(21) Appl. No.: **29/335,485**

(22) Filed: **Apr. 16, 2009**

(51) **LOC (9) Cl.** ..... **16-01**

(52) **U.S. Cl.** ..... **D16/203**

(58) **Field of Classification Search** ..... D16/200–204,  
D16/218, 219; 348/143, 151, 373–376; 396/427,  
396/535–541

See application file for complete search history.

(56) **References Cited**

**U.S. PATENT DOCUMENTS**

D325,212 S	4/1992	Elberbaum	
D412,924 S *	8/1999	Hiraguchi	D16/203
D416,273 S *	11/1999	Yamakawa et al.	D16/203
6,268,882 B1 *	7/2001	Elberbaum	348/151
D449,630 S	10/2001	Rak et al.	
D452,696 S	1/2002	Fenton	
6,678,001 B1 *	1/2004	Elberbaum	348/373
6,715,940 B2 *	4/2004	Top et al.	396/427

D552,501 S	10/2007	Lin et al.	
D556,236 S	11/2007	Kim	
D558,248 S	12/2007	Togawa et al.	
D560,244 S	1/2008	Naruki	
D564,557 S	3/2008	Yamamoto et al.	
D568,361 S	5/2008	Arnold et al.	
D575,810 S	8/2008	Alm	
D581,961 S	12/2008	Shioya	
D584,756 S	1/2009	Yamakawa	
D594,048 S *	6/2009	Yamakawa	D16/203

\* cited by examiner

*Primary Examiner*—Adir Aronovich

(74) *Attorney, Agent, or Firm*—Sarah L. Taylor

(57) **CLAIM**

We claim the ornamental design for a surveillance camera surface mount housing, as shown and described.

**DESCRIPTION**

FIG. 1 is a perspective view illustrating our new surveillance camera surface mount housing design;

FIG. 2 is a right side elevational view thereof;

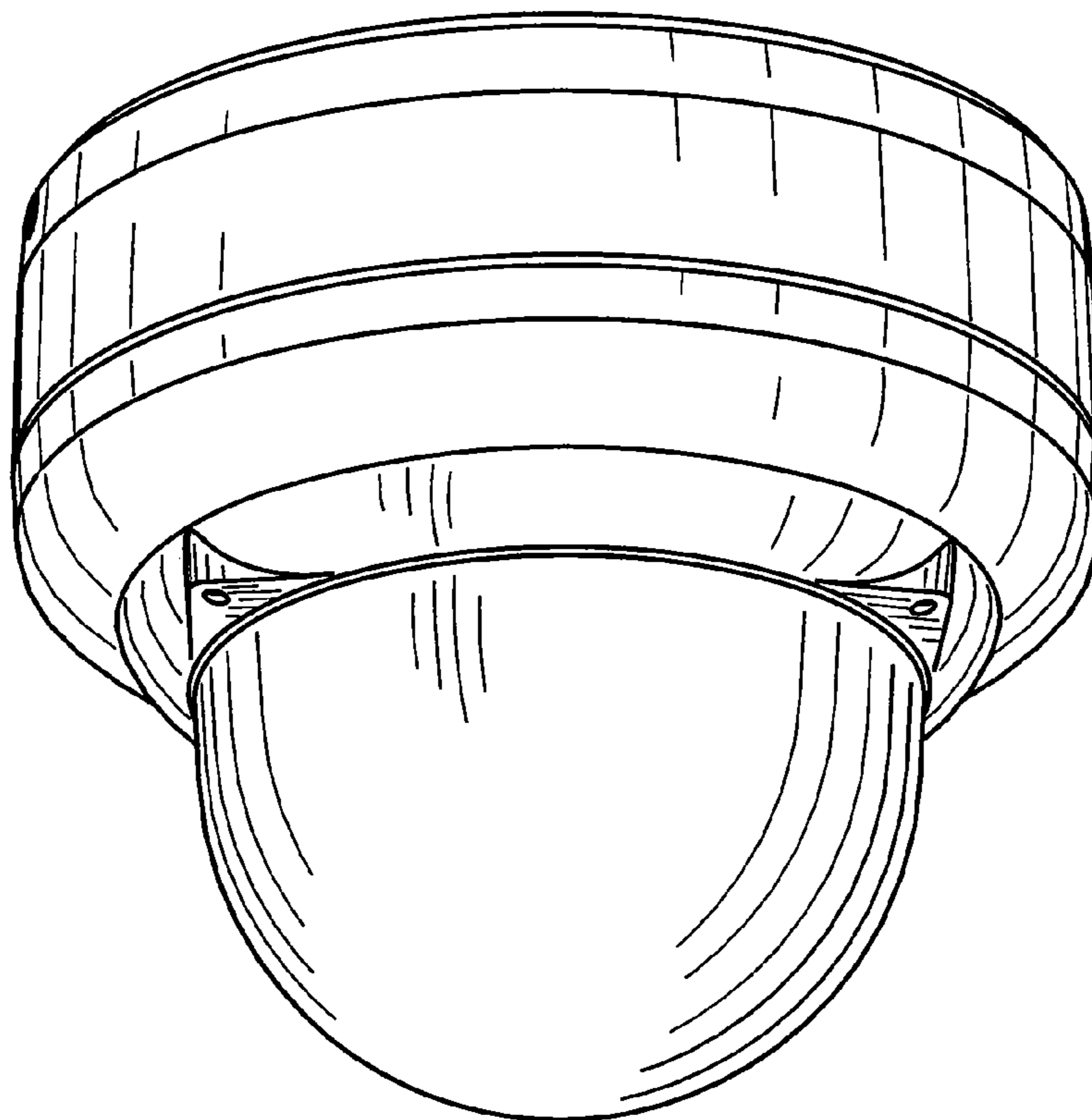
FIG. 3 is a left side elevational view thereof;

FIG. 4 is a front elevational view thereof;

FIG. 5 is a rear elevational view thereof; and,

FIG. 6 is a bottom plan thereof.

**1 Claim, 6 Drawing Sheets**



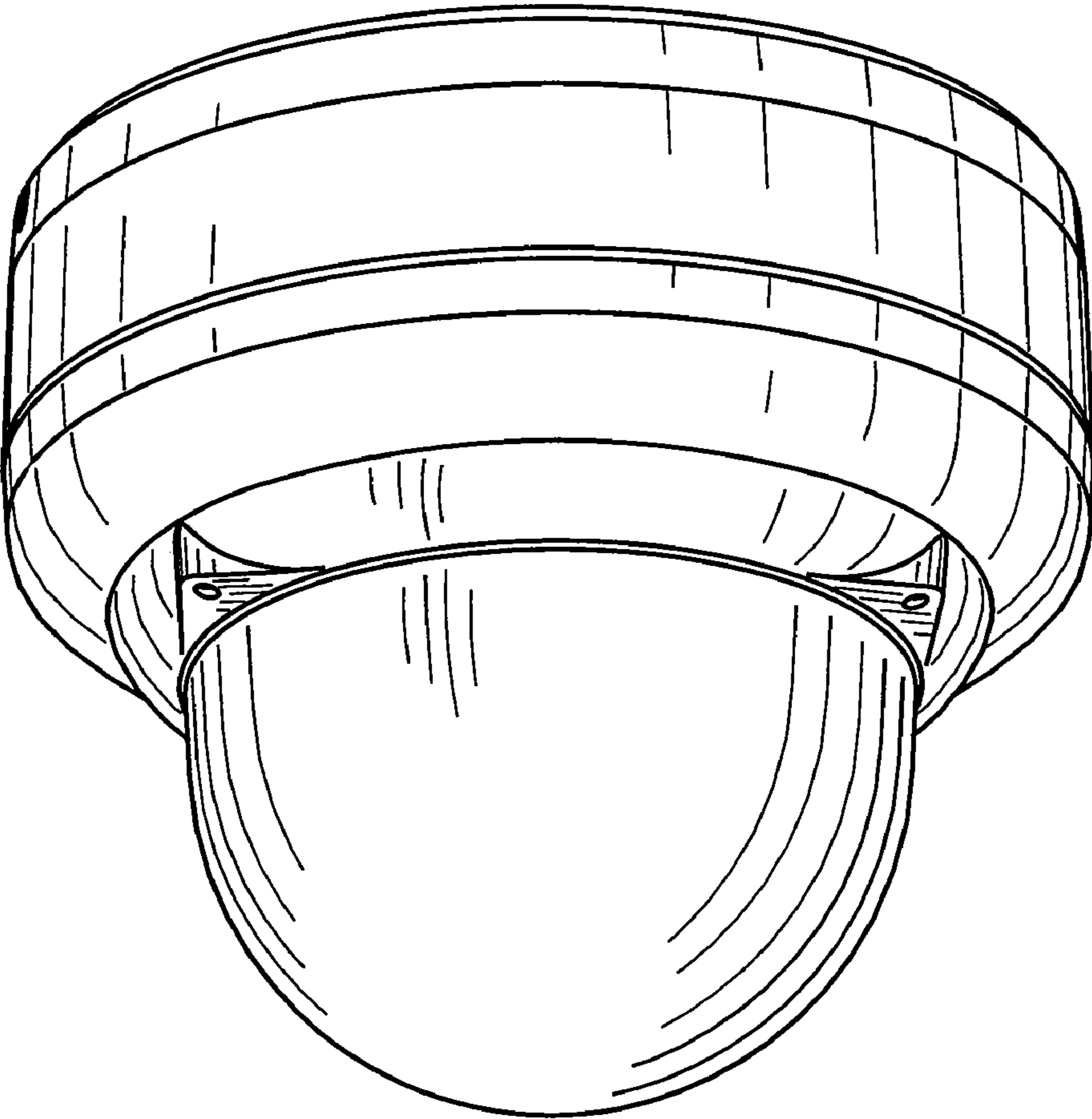


Fig. 1

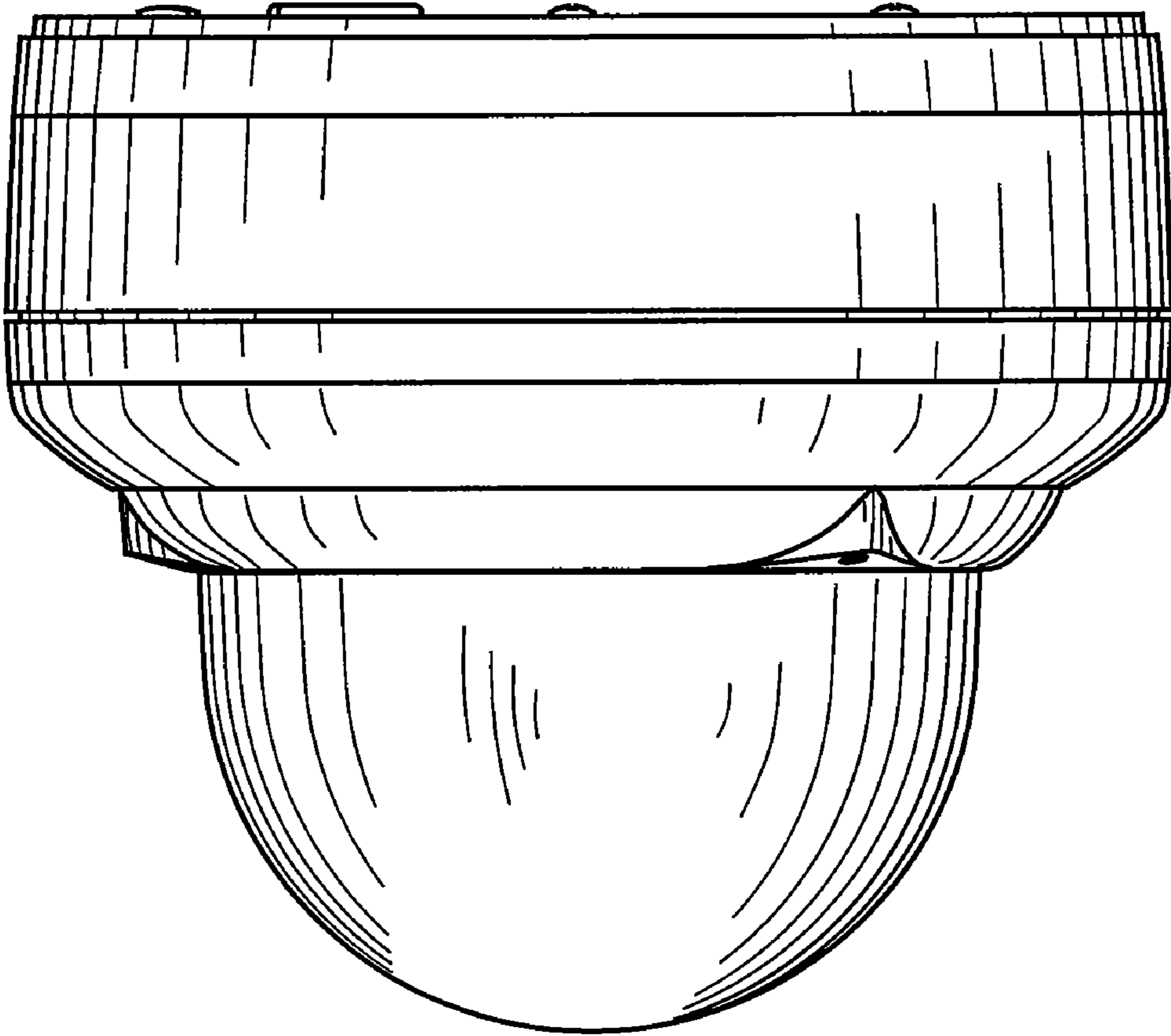


Fig. 2

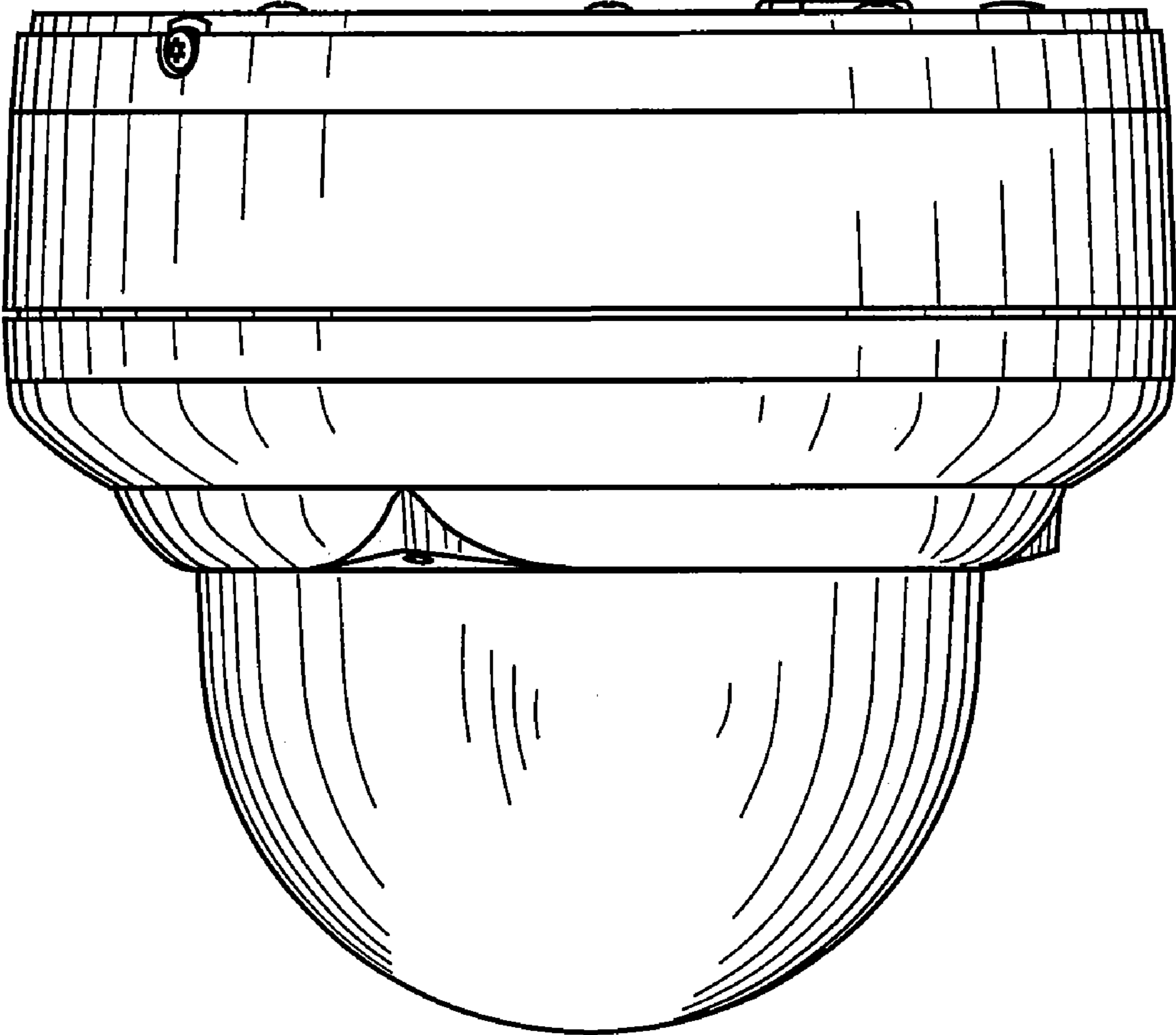


Fig. 3

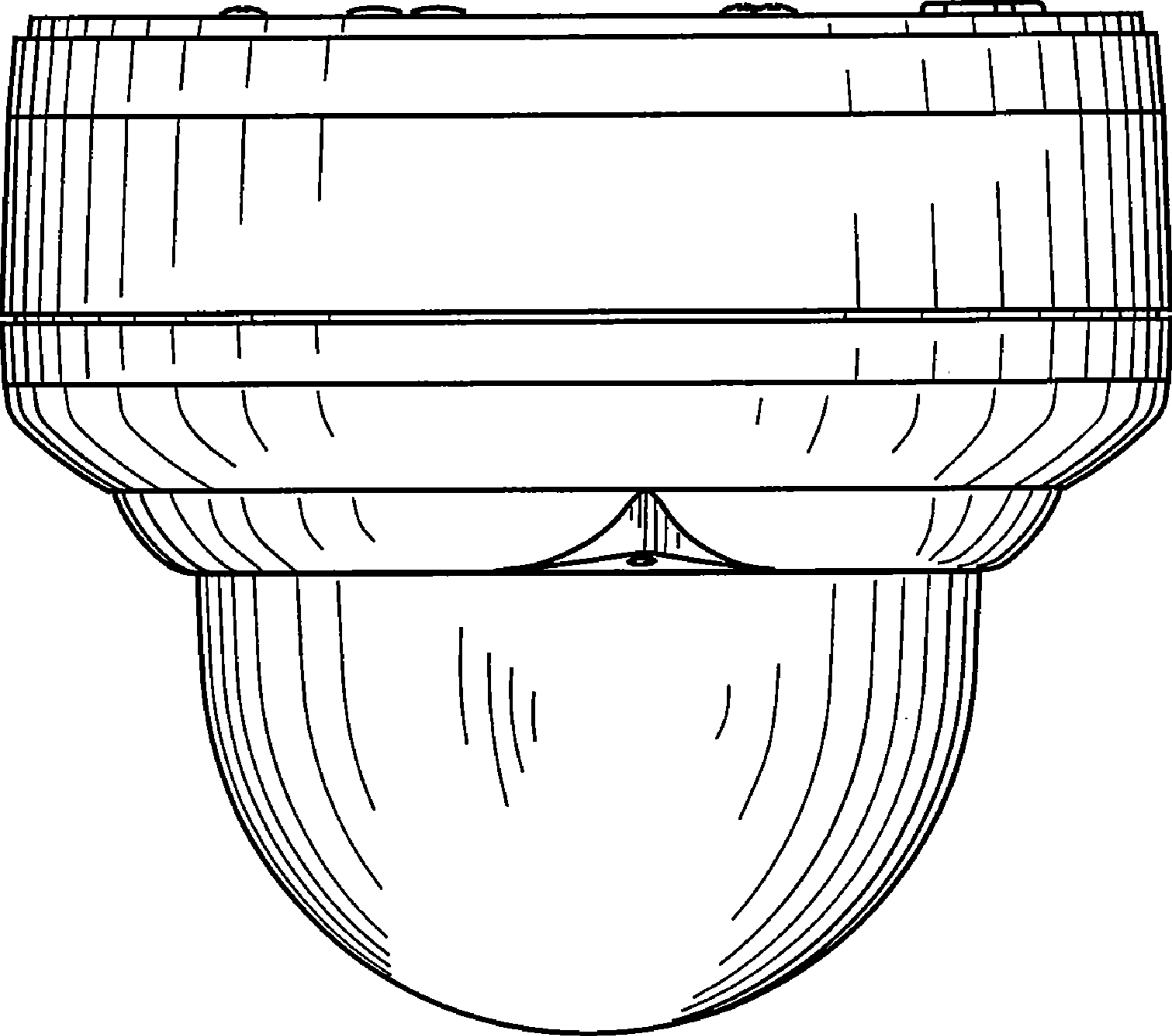


Fig. 4

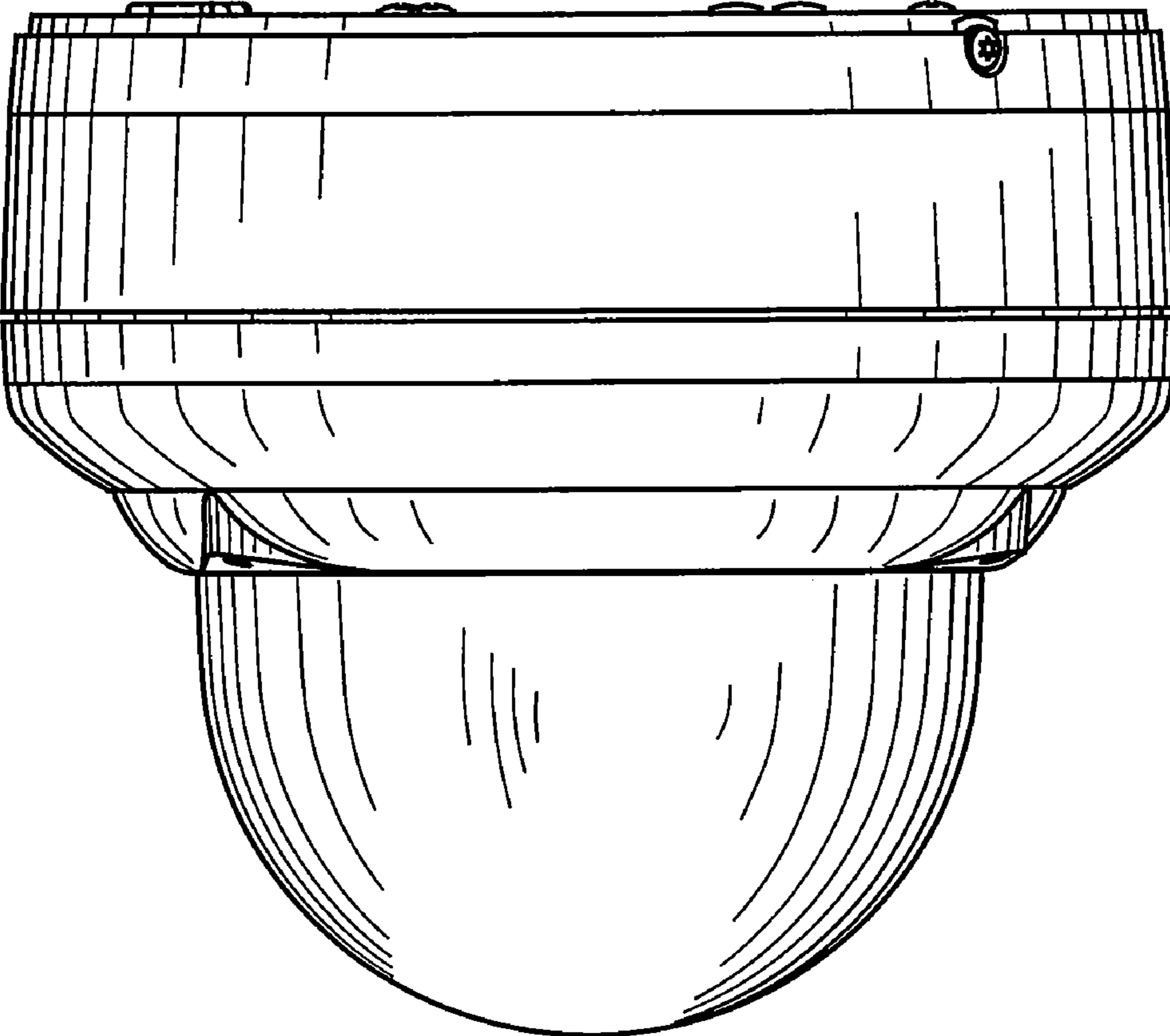


Fig. 5



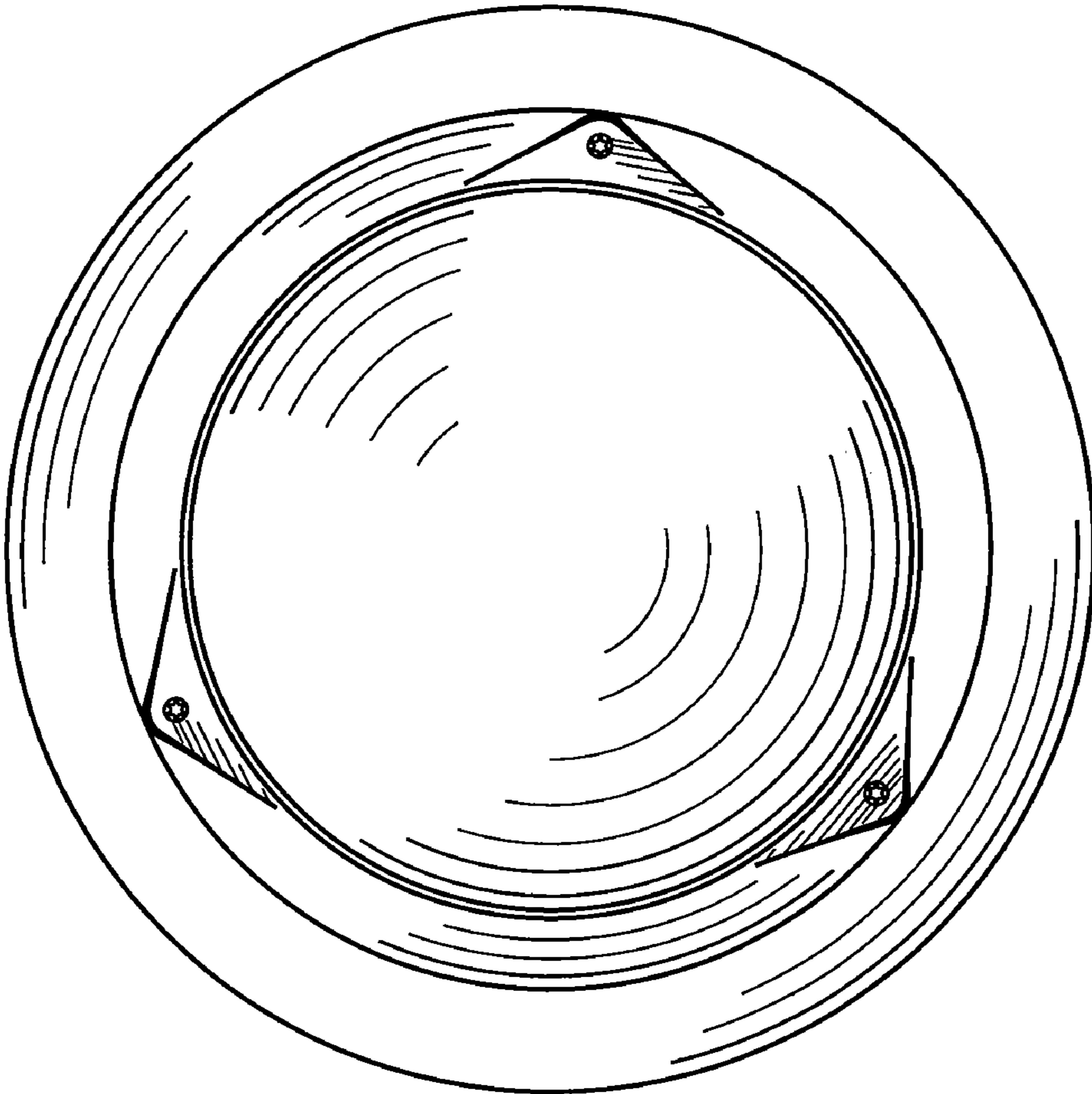


Fig. 6