



US00D615113S

(12) **United States Design Patent**  
**Hällgren**

(10) **Patent No.:** **US D615,113 S**

(45) **Date of Patent:** **\*\* May 4, 2010**

(54) **INFRARED CAMERA**

(75) Inventor: **Tomas Hällgren**, Danderyd (SE)

(73) Assignee: **FLIR Systems AB**, Danderyd (SE)

(\*\*) Term: **14 Years**

(21) Appl. No.: **29/340,384**

(22) Filed: **Jul. 17, 2009**

(30) **Foreign Application Priority Data**

Mar. 16, 2009 (EM) ..... 001106306

(51) **LOC (9) Cl.** ..... **16-01**

(52) **U.S. Cl.** ..... **D16/202**

(58) **Field of Classification Search** ..... D16/200–205,  
D16/208, 218; 348/164, 373–376; 358/906;  
396/535–541

See application file for complete search history.

(56) **References Cited**

**U.S. PATENT DOCUMENTS**

D378,296 S \* 3/1997 Choi ..... D16/202  
D386,506 S \* 11/1997 Choi et al. .... D16/202  
D386,771 S \* 11/1997 Sekine ..... D16/202  
D390,243 S \* 2/1998 Choi ..... D16/202

D408,832 S \* 4/1999 Kobayashi ..... D16/202  
D456,434 S \* 4/2002 Yamazaki ..... D16/202  
2007/0177016 A1 \* 8/2007 Wu ..... 348/164  
2008/0180567 A1 \* 7/2008 Mito et al. .... 348/373

\* cited by examiner

*Primary Examiner*—Adir Aronovich

(74) *Attorney, Agent, or Firm*—Schwegman, Lundberg & Woessner, P.A.

(57) **CLAIM**

The ornamental design for a infrared camera, as shown and described.

**DESCRIPTION**

FIG. 1 is a front view of an infrared camera according to my new design;

FIG. 2 is a rear view thereof;

FIG. 3 is a right side view thereof;

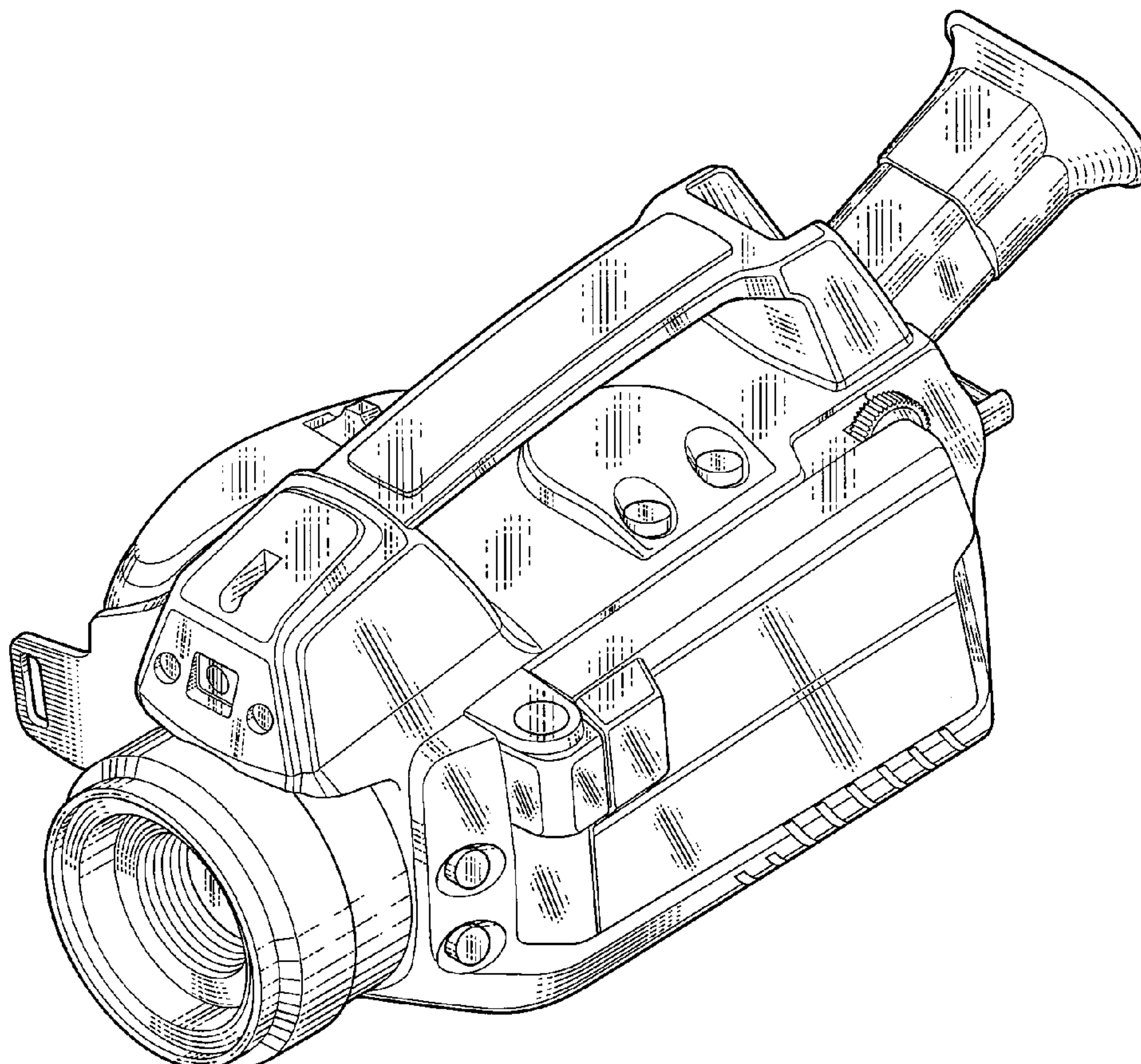
FIG. 4 is a left side view thereof;

FIG. 5 is a bottom view thereof;

FIG. 6 is a top view thereof; and,

FIG. 7 is a front and left side perspective view thereof.

**1 Claim, 6 Drawing Sheets**



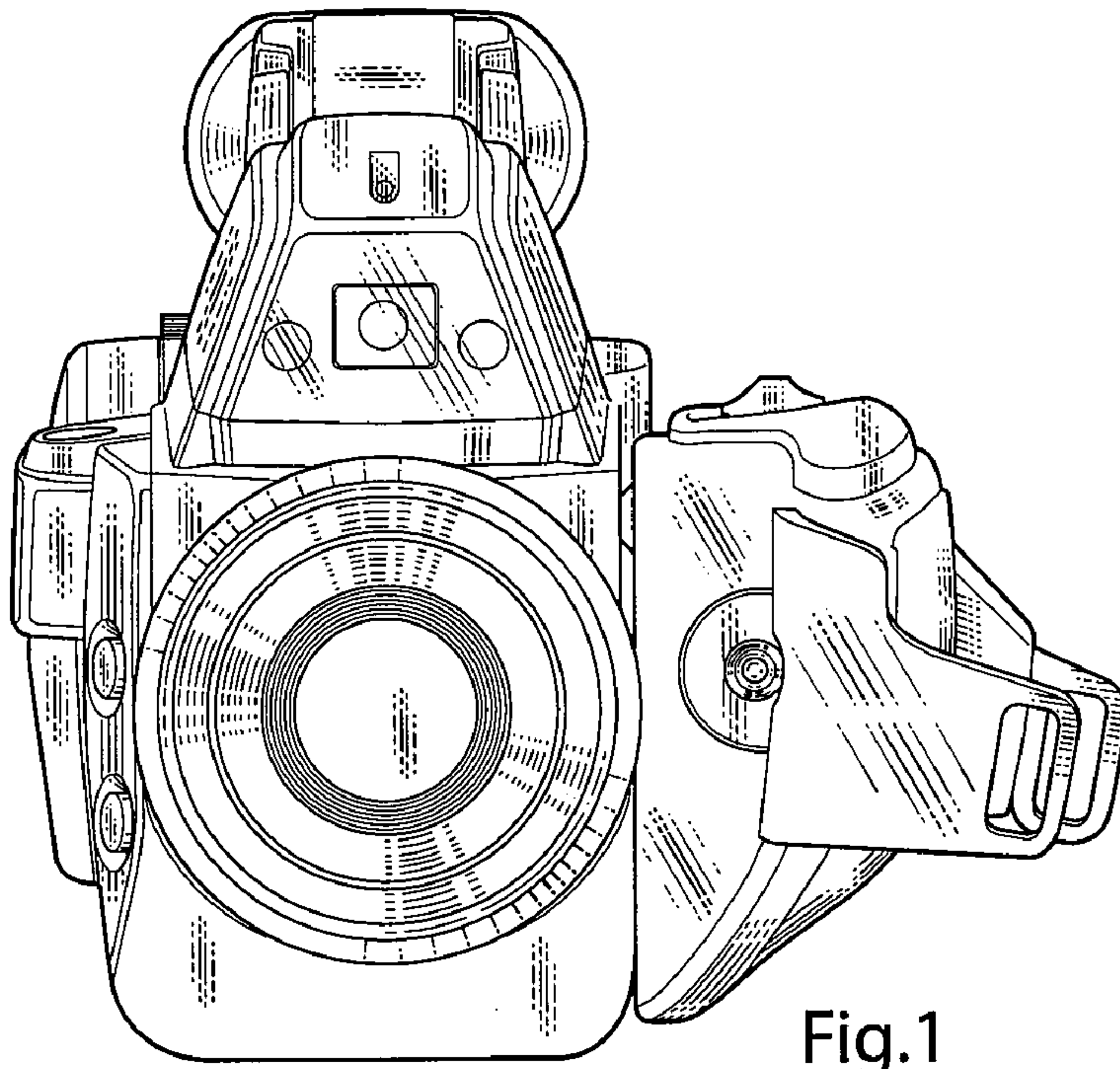


Fig.1

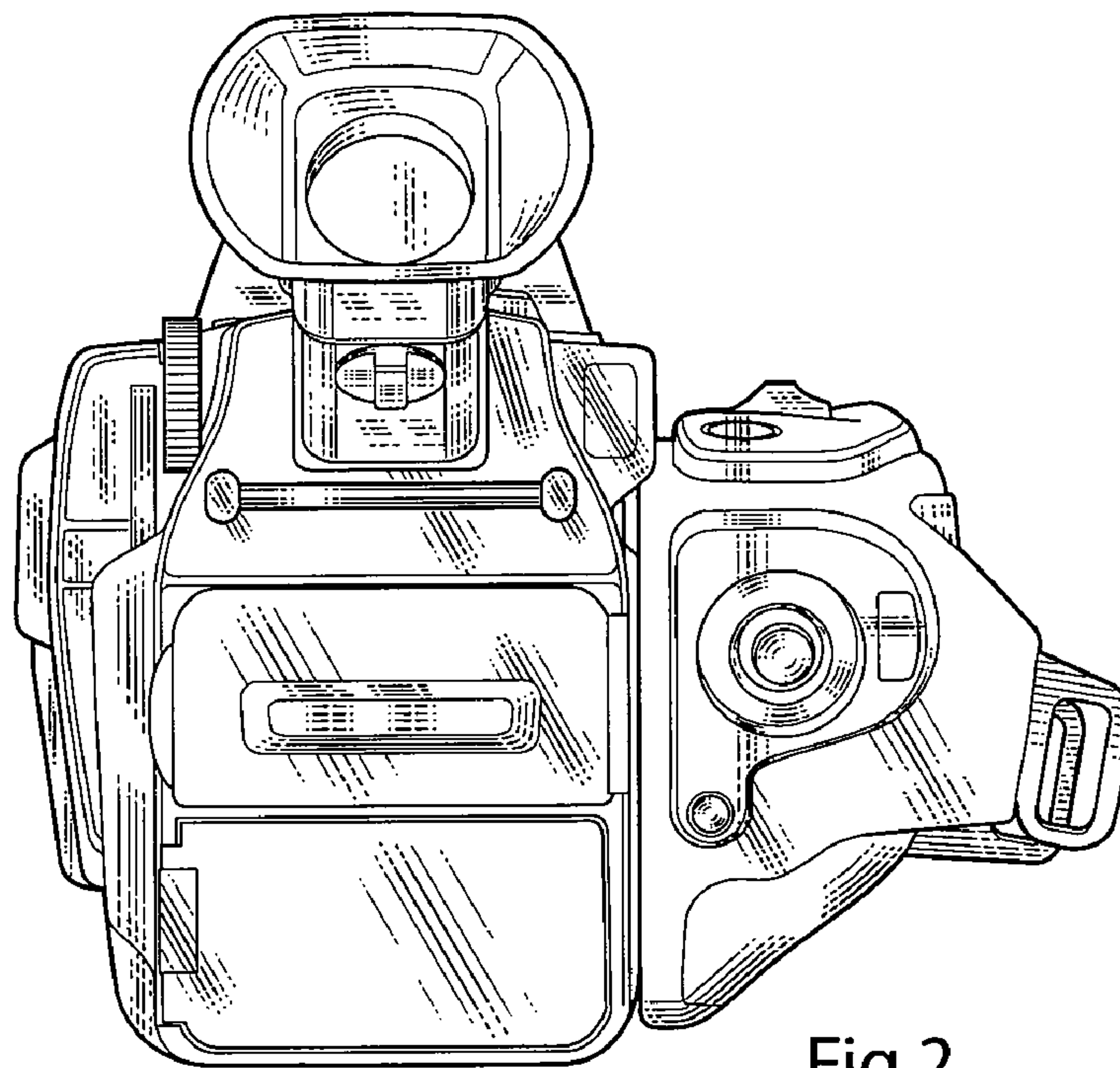
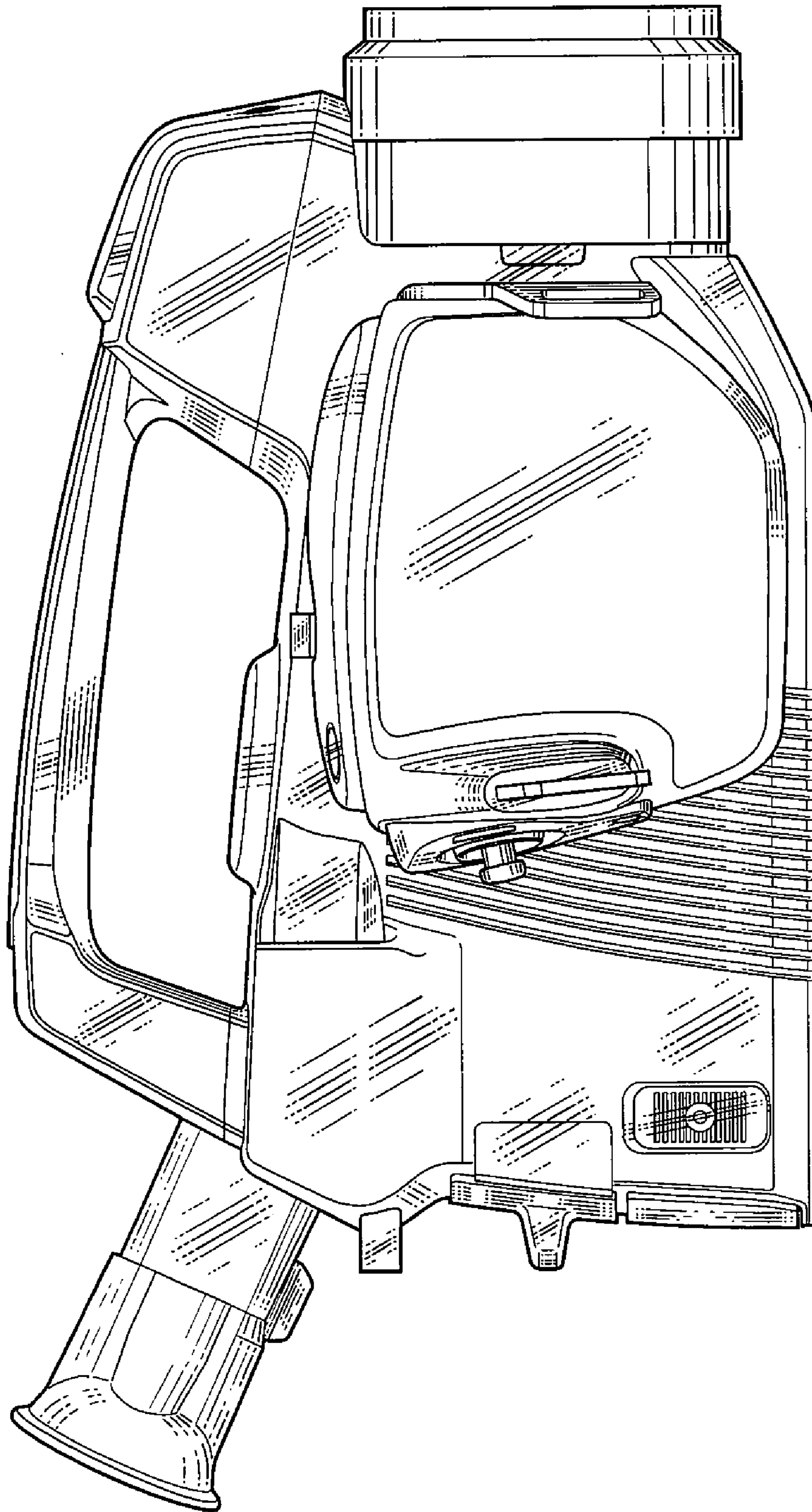


Fig.2



Fig.3



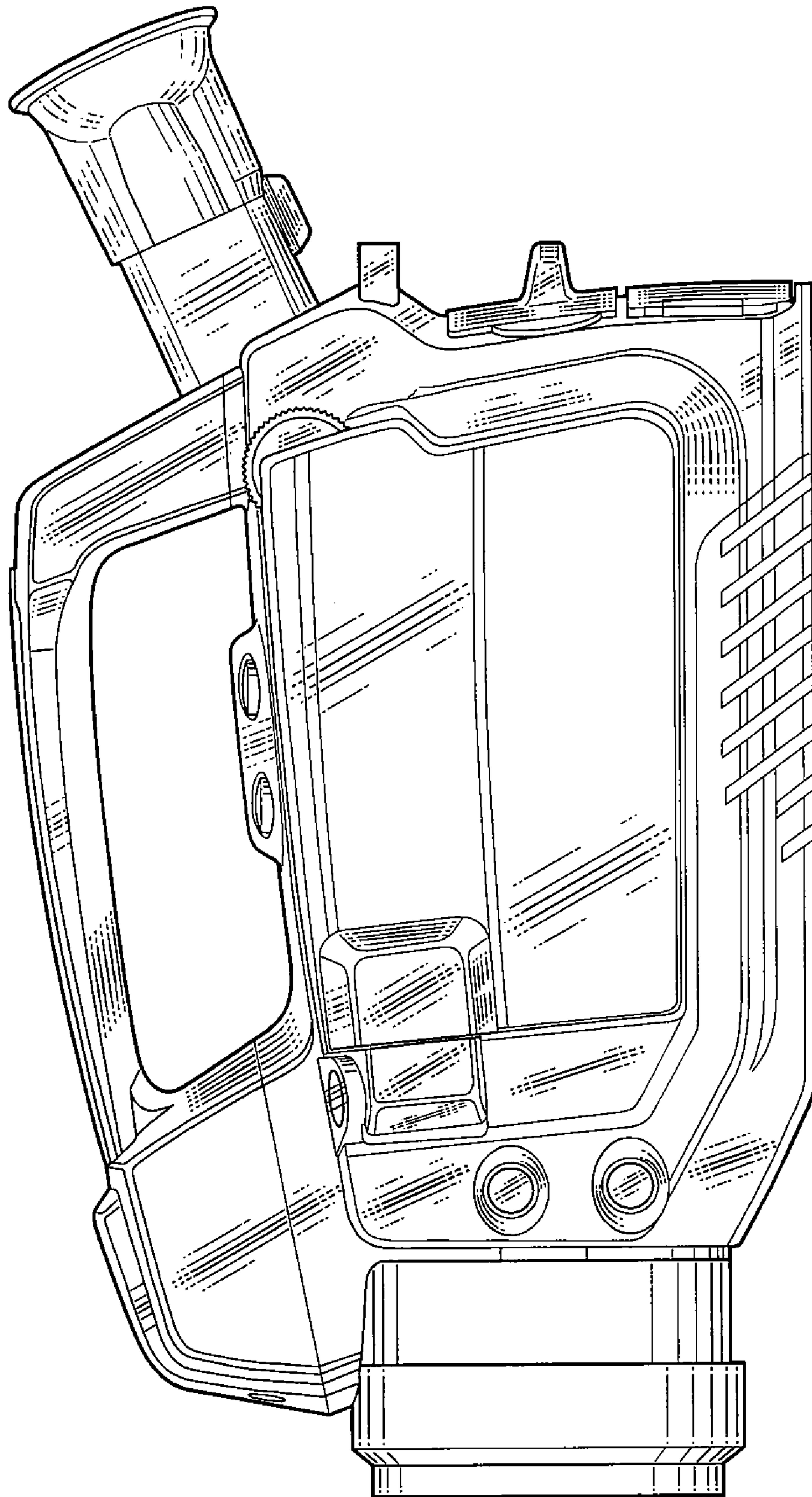


Fig.4

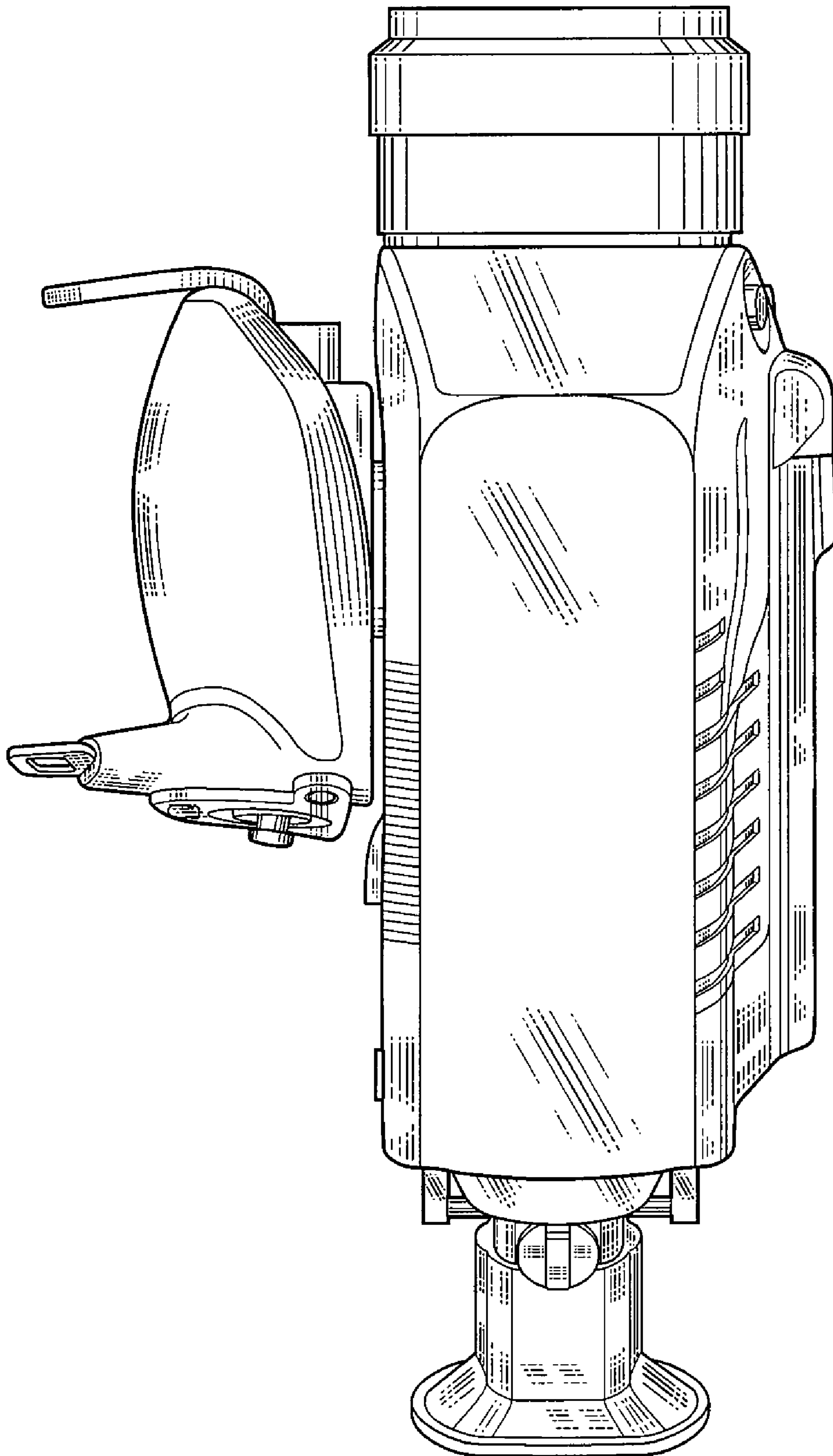


Fig.5

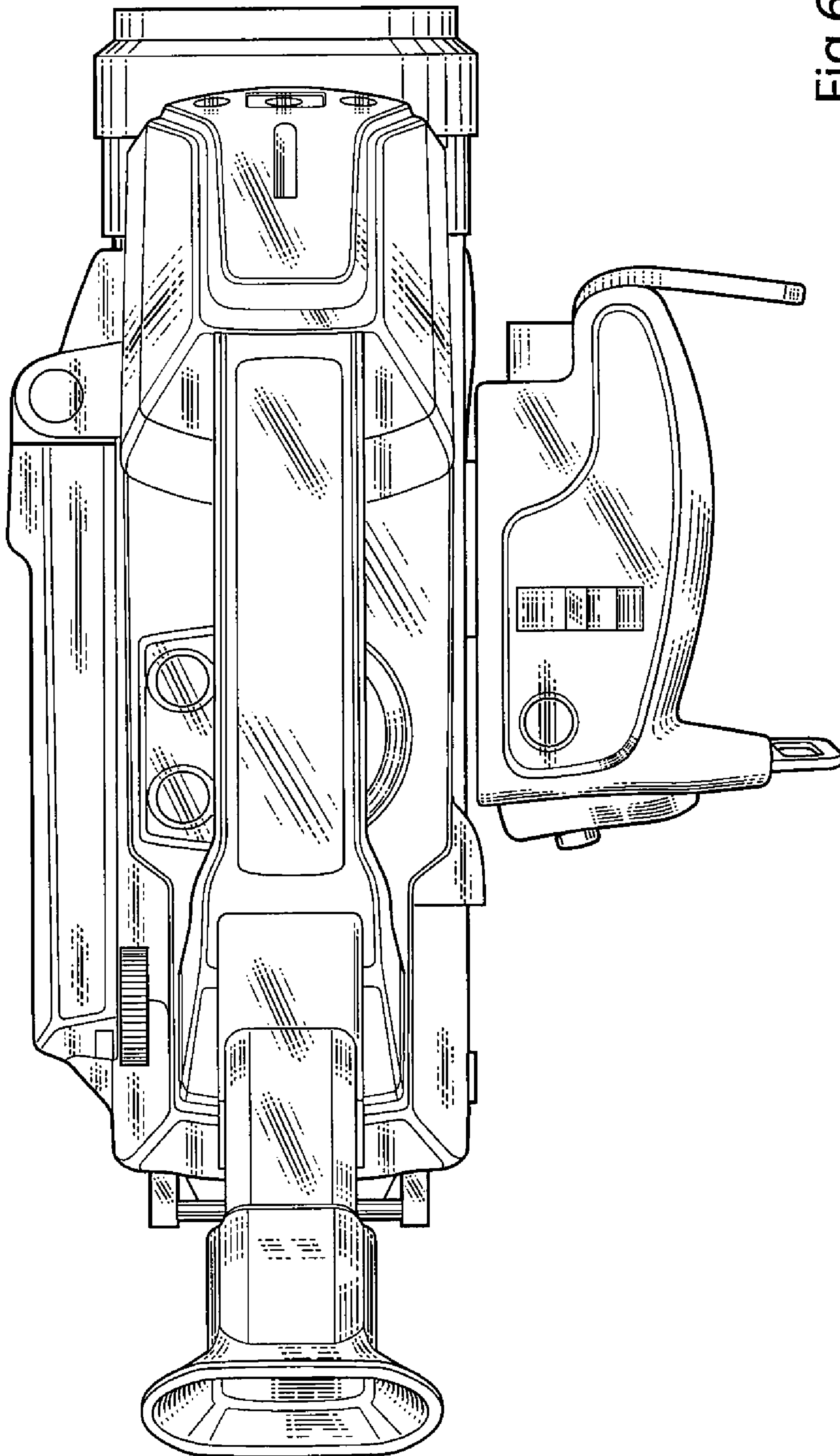


Fig.6



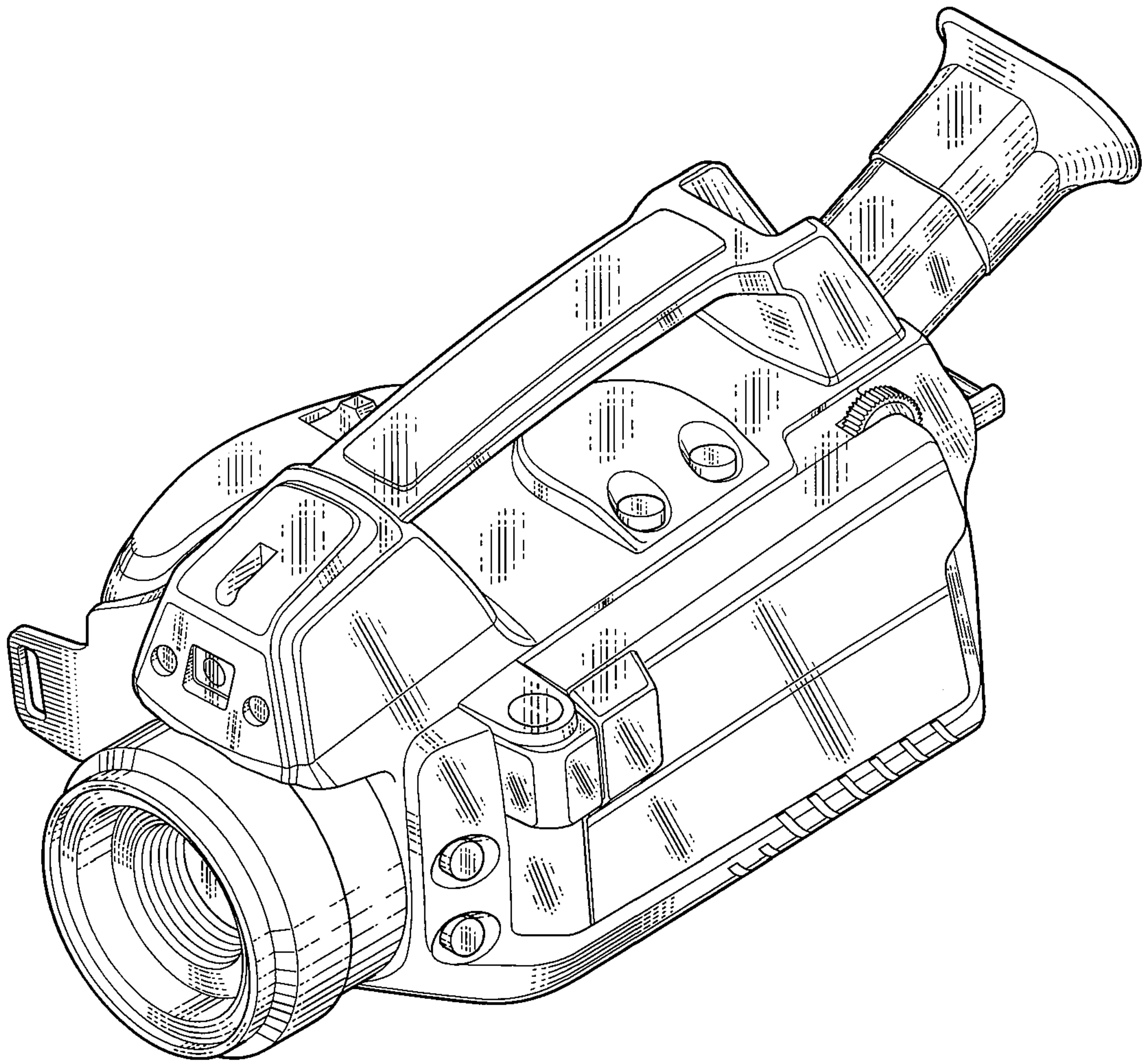


Fig.7