



US00D615112S

(12) **United States Design Patent**  
**Awada**

(10) **Patent No.:** **US D615,112 S**  
(45) **Date of Patent:** **\*\* May 4, 2010**

(54) **BREAD MANUFACTURING MACHINE**

(57) **CLAIM**

(75) Inventor: **Ali F. Awada**, Denver, CO (US)

The ornamental design for a bread manufacturing machine, as shown and described.

(73) Assignee: **SAJ Equipment, LLC**, Denver, CO (US)

**DESCRIPTION**

(\*\*) Term: **14 Years**

FIG. 1 is a front perspective view showing an embodiment of my new design;

(21) Appl. No.: **29/350,616**

FIG. 2 is right perspective view of the embodiment shown in FIG. 1;

(22) Filed: **Nov. 19, 2009**

FIG. 3 is a bottom perspective view of FIG. 1;

(51) **LOC (9) Cl.** ..... **15-99**

FIG. 4 is a bottom right perspective view of FIG. 1;

(52) **U.S. Cl.** ..... **D15/199**

FIG. 5 is a front view of FIG. 1;

(58) **Field of Classification Search** .... D7/350.1-350.4,  
D7/351, 402, 405; D15/199; 99/327, 328,  
99/331, 332, 339, 348, 357, 423, 467, 448,  
99/450.1, 450.2, 468, 483, 485, 537; 126/281;  
366/98, 146, 393; 426/27, 73, 138, 317,  
426/335, 352, 355, 357, 425, 496, 502, 523  
See application file for complete search history.

FIG. 6 is a back view of FIG. 1;

FIG. 7 is a right side view of FIG. 1;

FIG. 8 is a left side view of FIG. 1;

FIG. 9 is top plan view of the embodiment shown in FIG. 1; and

FIG. 10 is a bottom plan view of FIG. 1;

(56) **References Cited**

FIG. 11 is a front perspective view showing an alternate embodiment of my new design;

**U.S. PATENT DOCUMENTS**

FIG. 12 is right perspective view of the embodiment shown in FIG. 11;

1,380,652	A *	6/1921	Huidobro	.....	425/90
2,255,282	A *	9/1941	Duffy, Jr. et al.	.....	426/27
4,750,413	A *	6/1988	Voegtlin	.....	99/353
5,103,719	A *	4/1992	Mani	.....	99/450.2
5,458,415	A *	10/1995	Poilane	.....	366/138
6,291,002	B1 *	9/2001	Goglanian	.....	426/496
7,421,943	B1 *	9/2008	Temesgen	.....	99/423

FIG. 13 is a bottom perspective view of FIG. 11;

FIG. 14 is a bottom right perspective view of FIG. 11;

FIG. 15 is a front view of FIG. 11;

FIG. 16 is a back view of FIG. 11;

FIG. 17 is a right side view of FIG. 11;

FIG. 18 is a left side view of FIG. 11;

FIG. 19 is top plan view of the embodiment shown in FIG. 11; and,

FIG. 20 is a bottom plan view of FIG. 11.

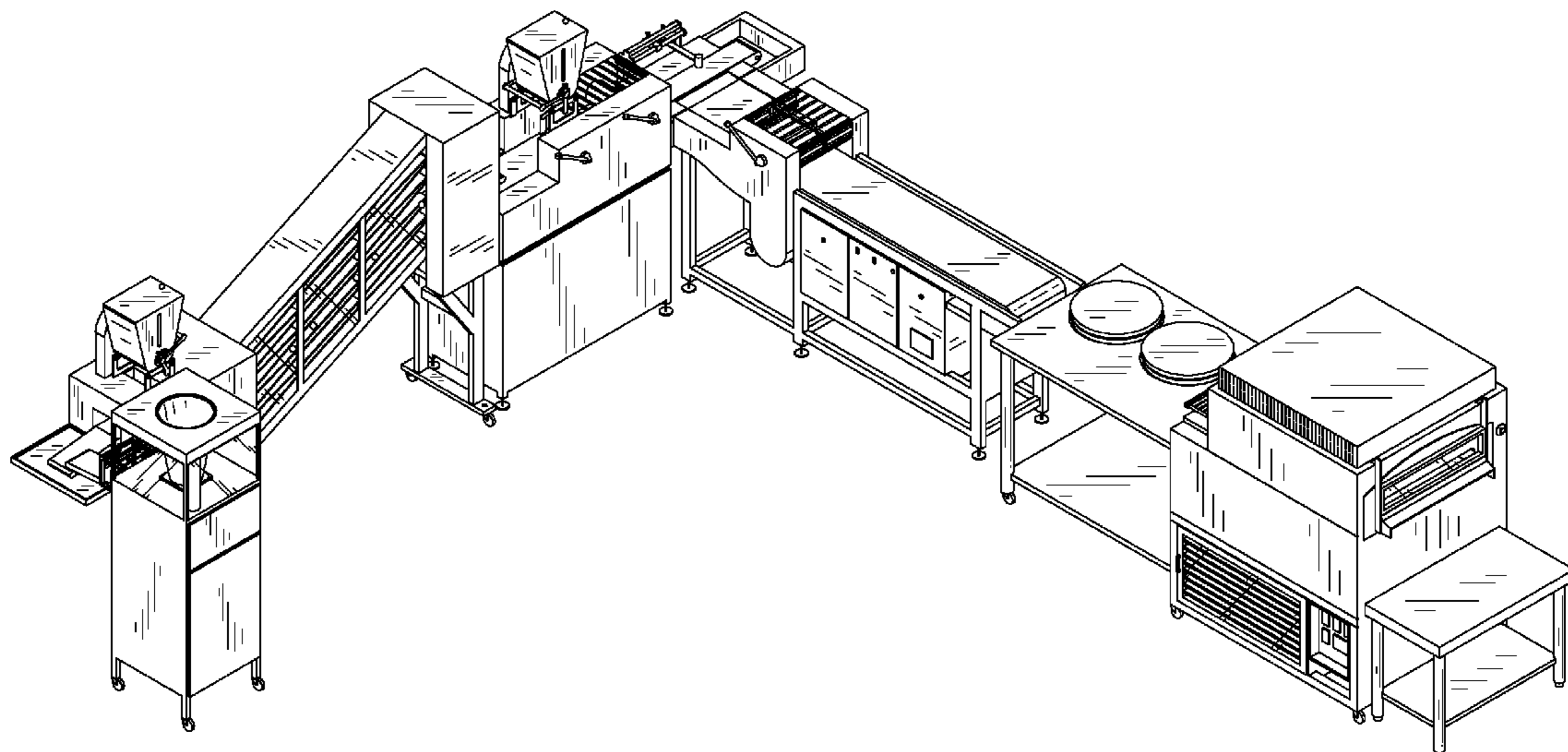
\* cited by examiner

*Primary Examiner*—Sandra Snapp

*Assistant Examiner*—Patricia Palasik

(74) *Attorney, Agent, or Firm*—The Reilly Intellectual Property Law Firm, P.C.; Ellen Reilly

**1 Claim, 20 Drawing Sheets**



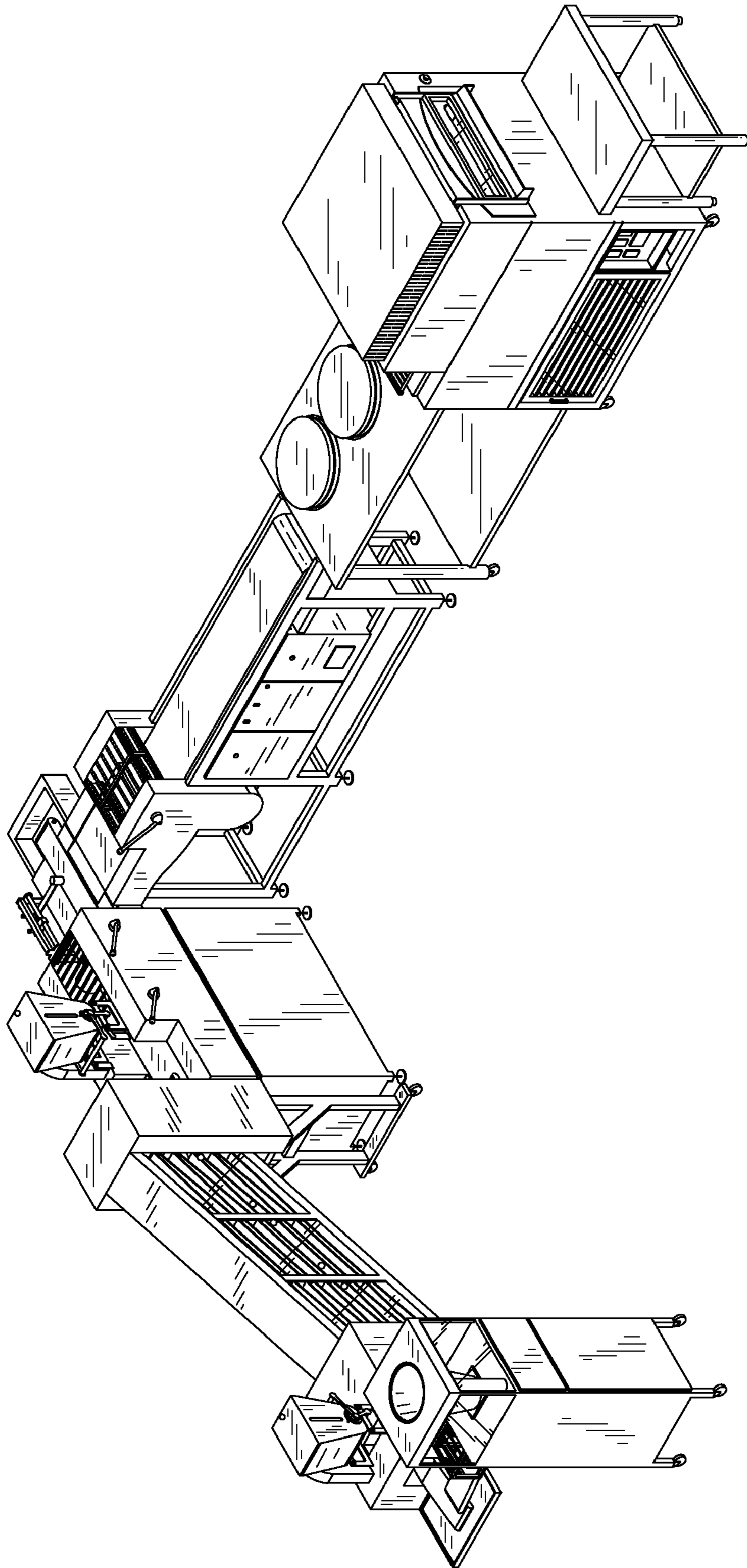


FIG. 1

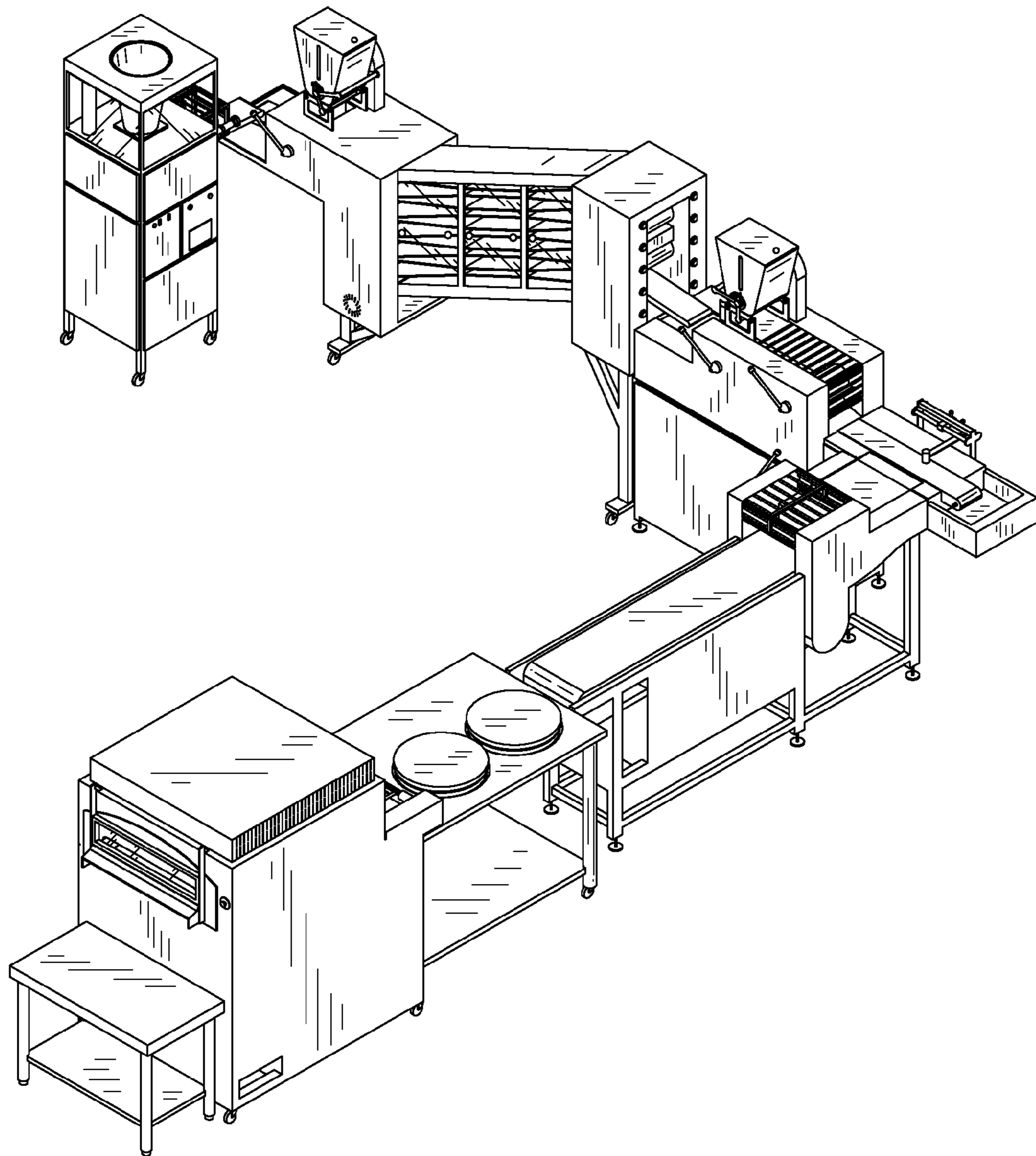


FIG.2

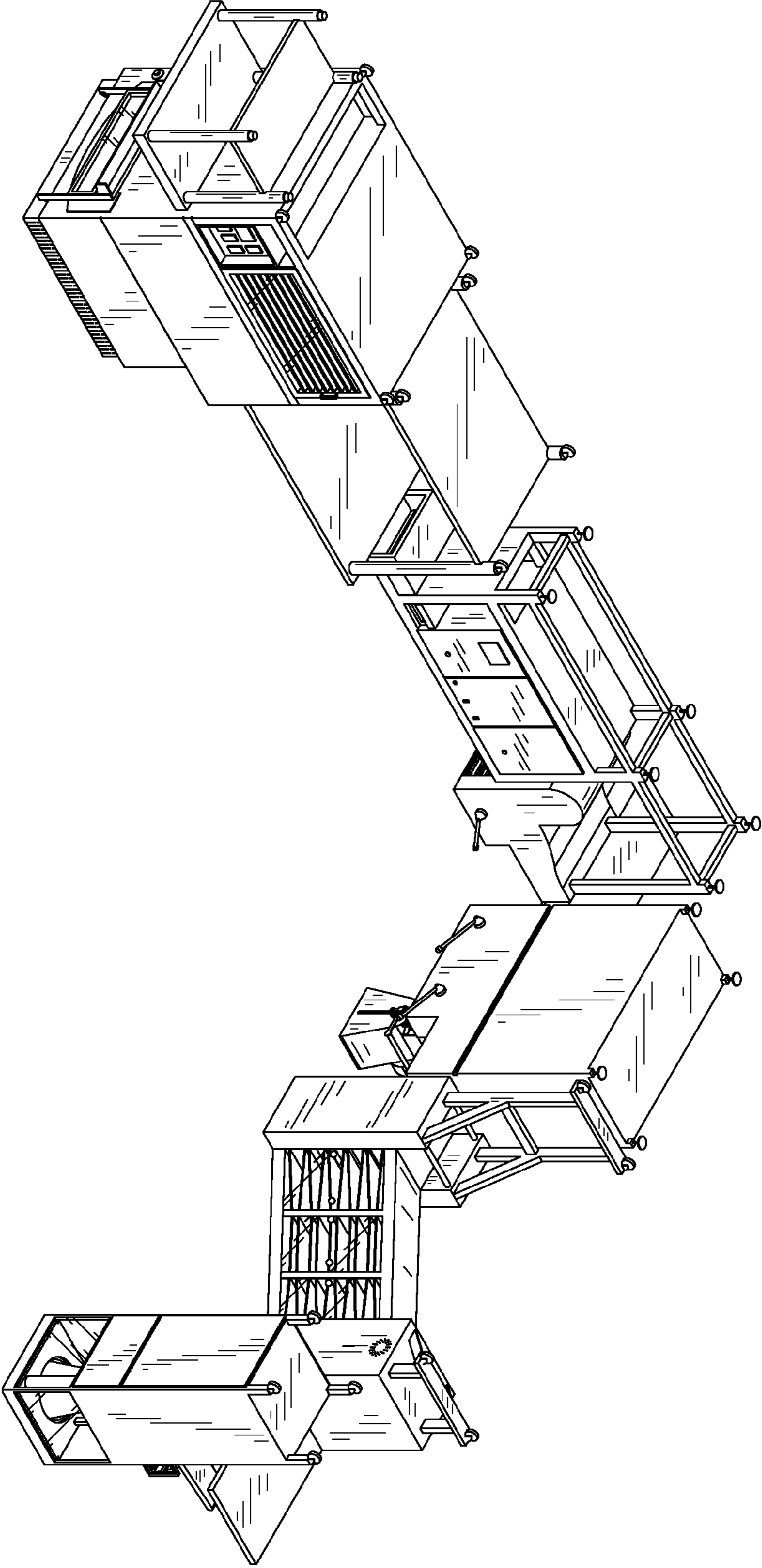


FIG.3

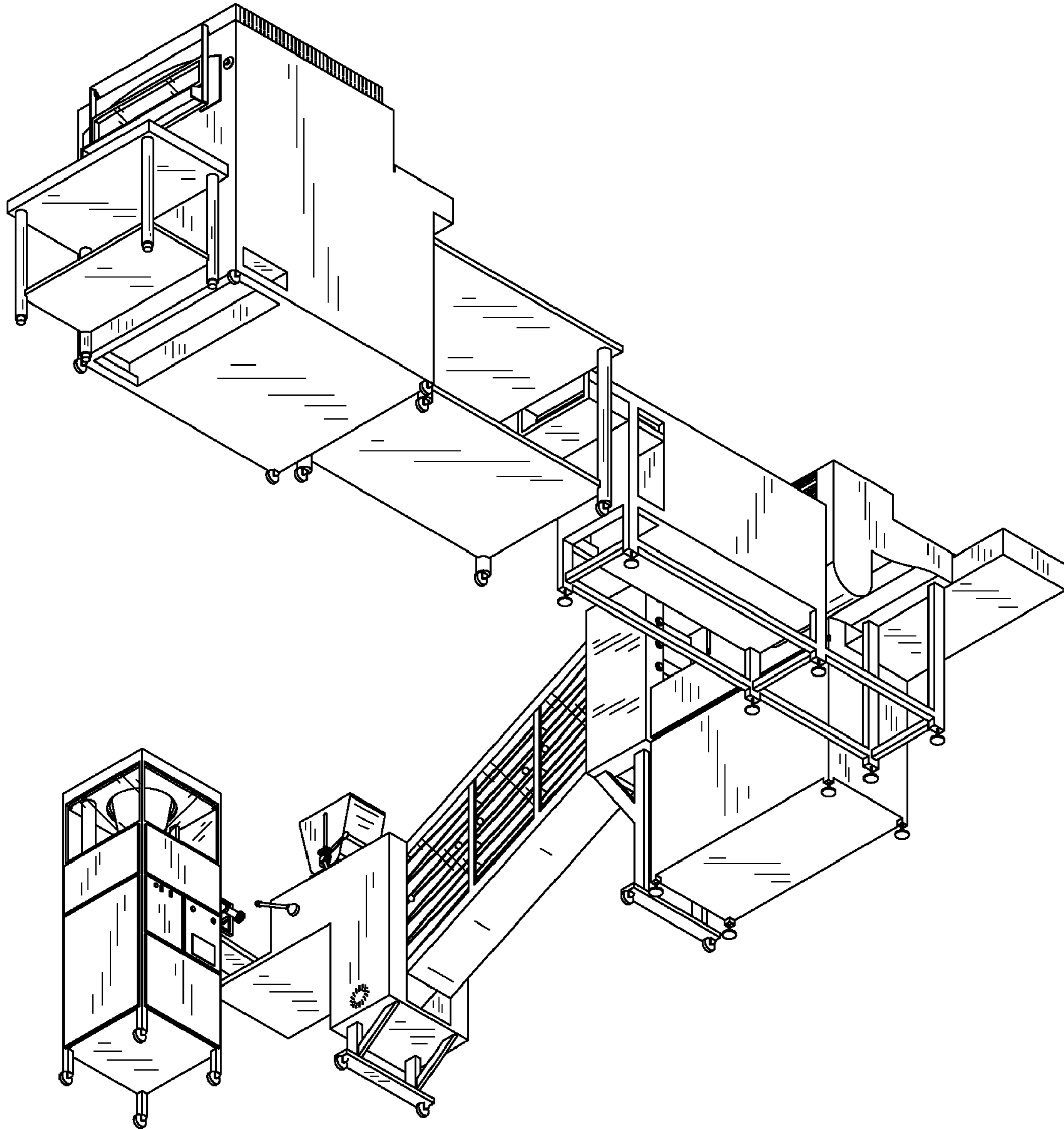


FIG.4

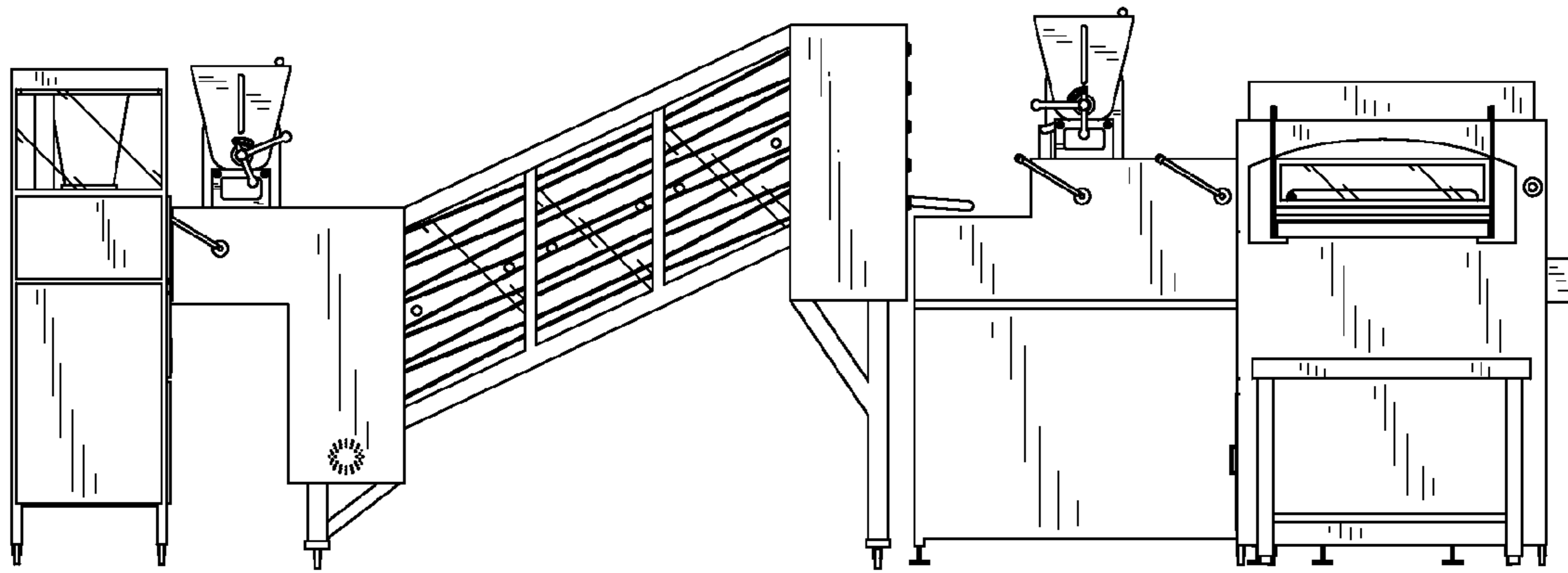


FIG.5

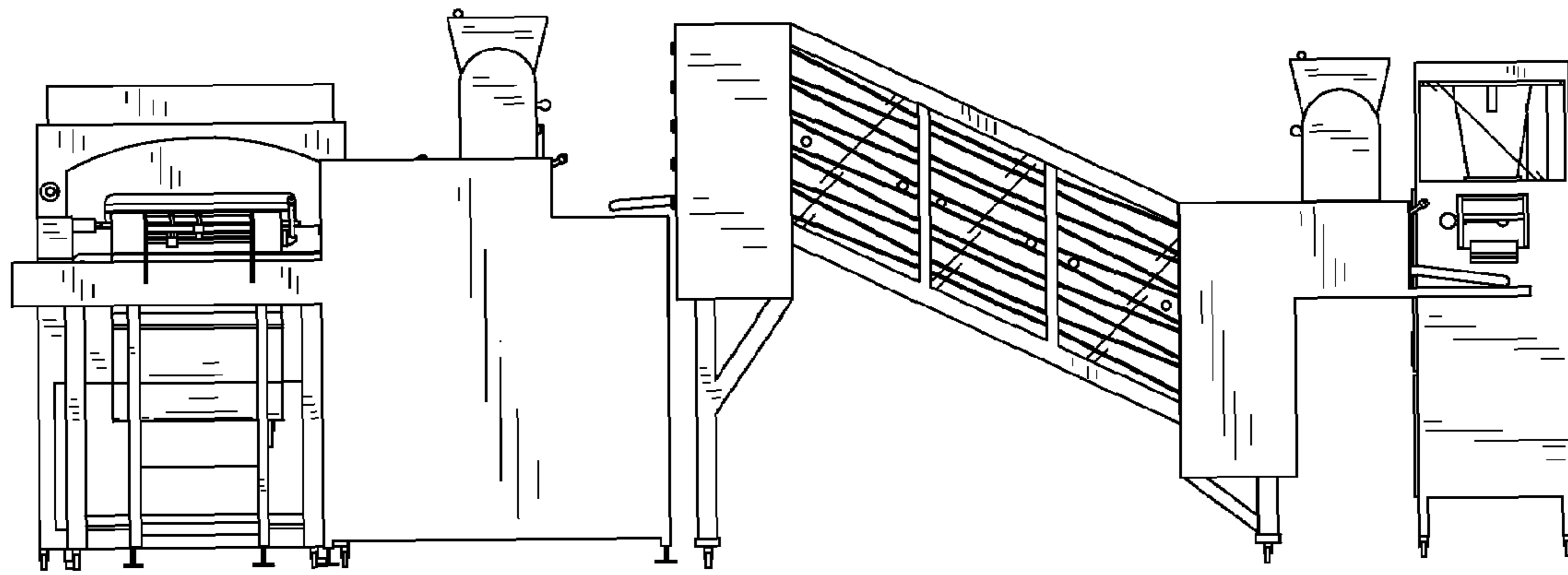


FIG.6

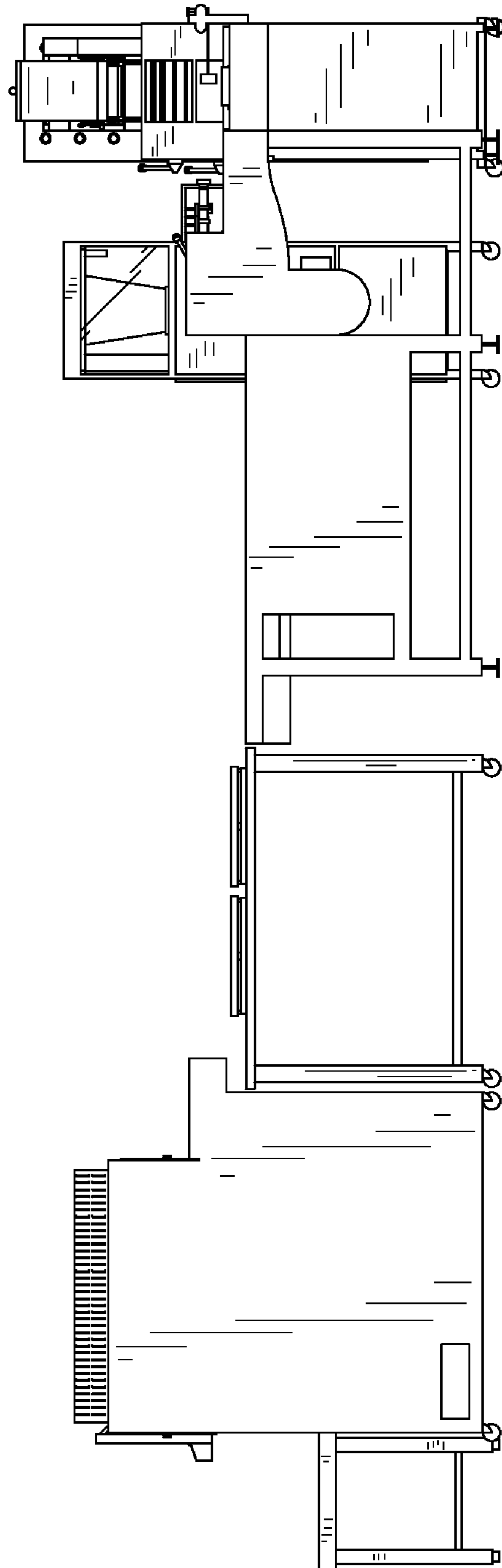


FIG. 7



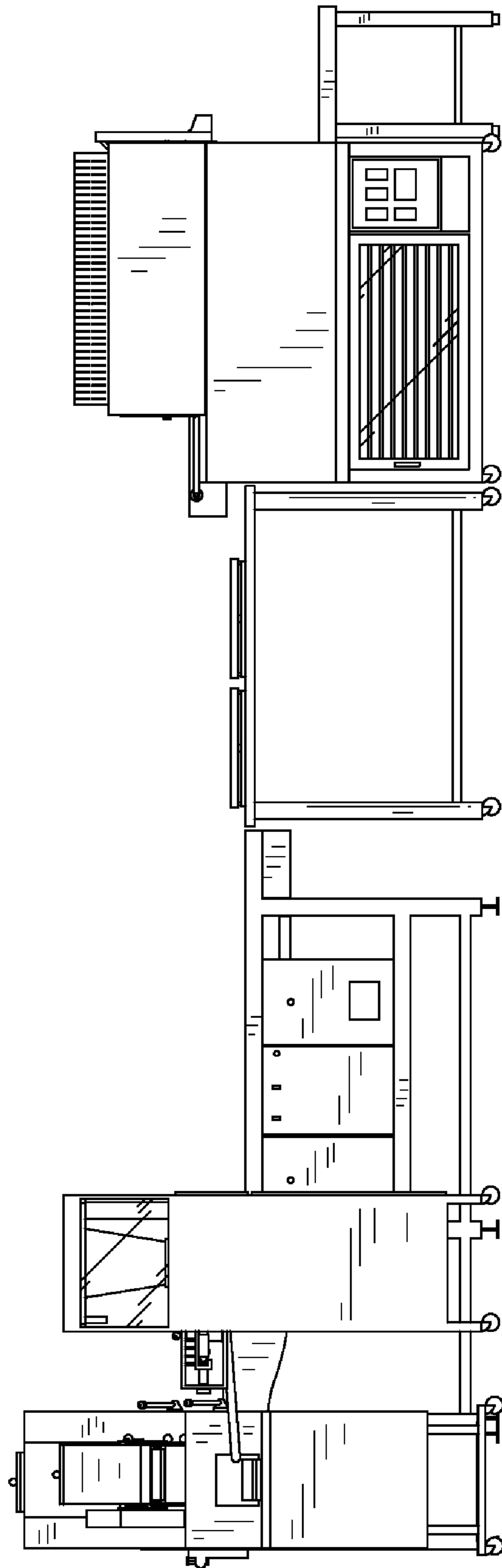


FIG. 8

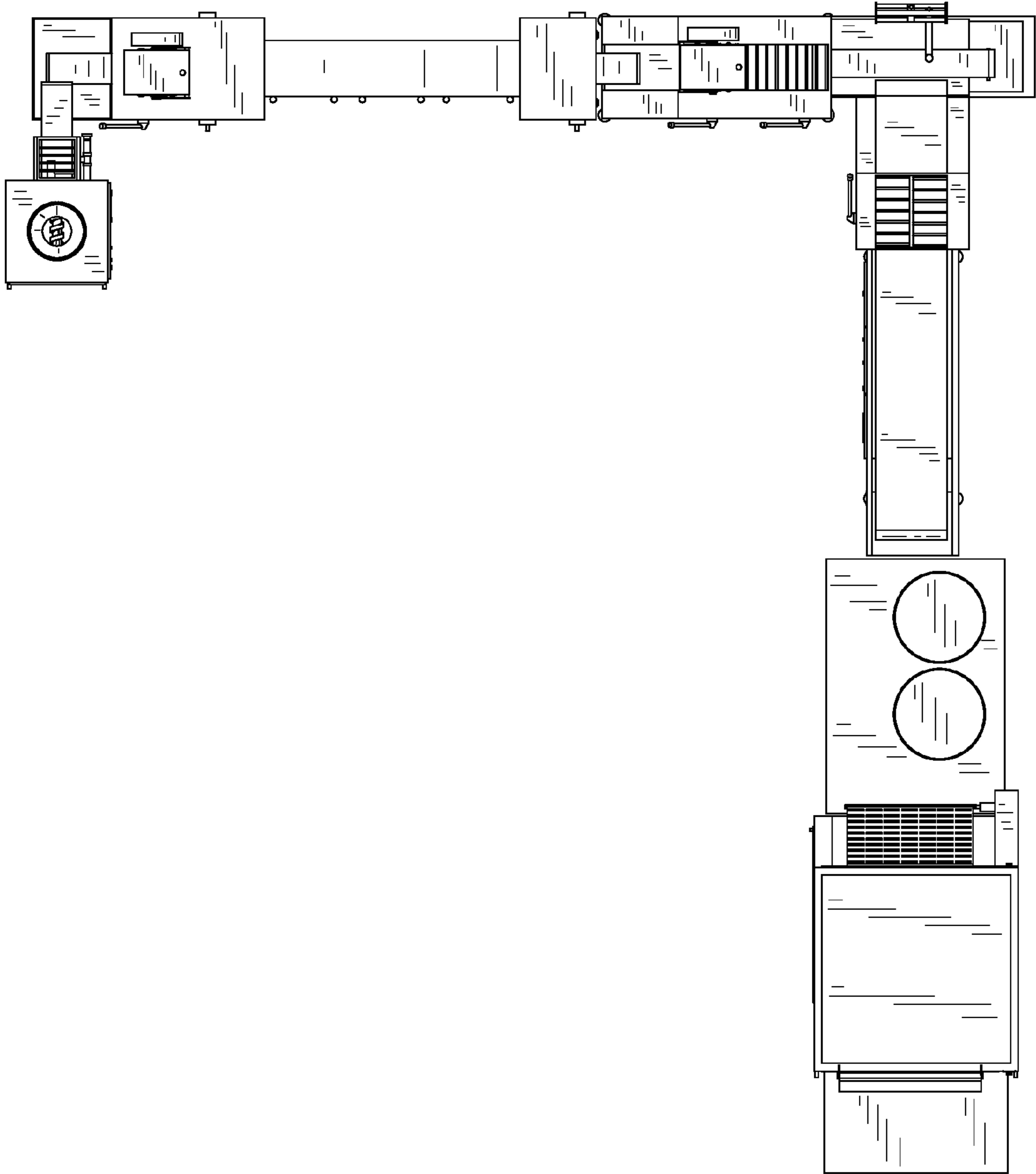


FIG.9

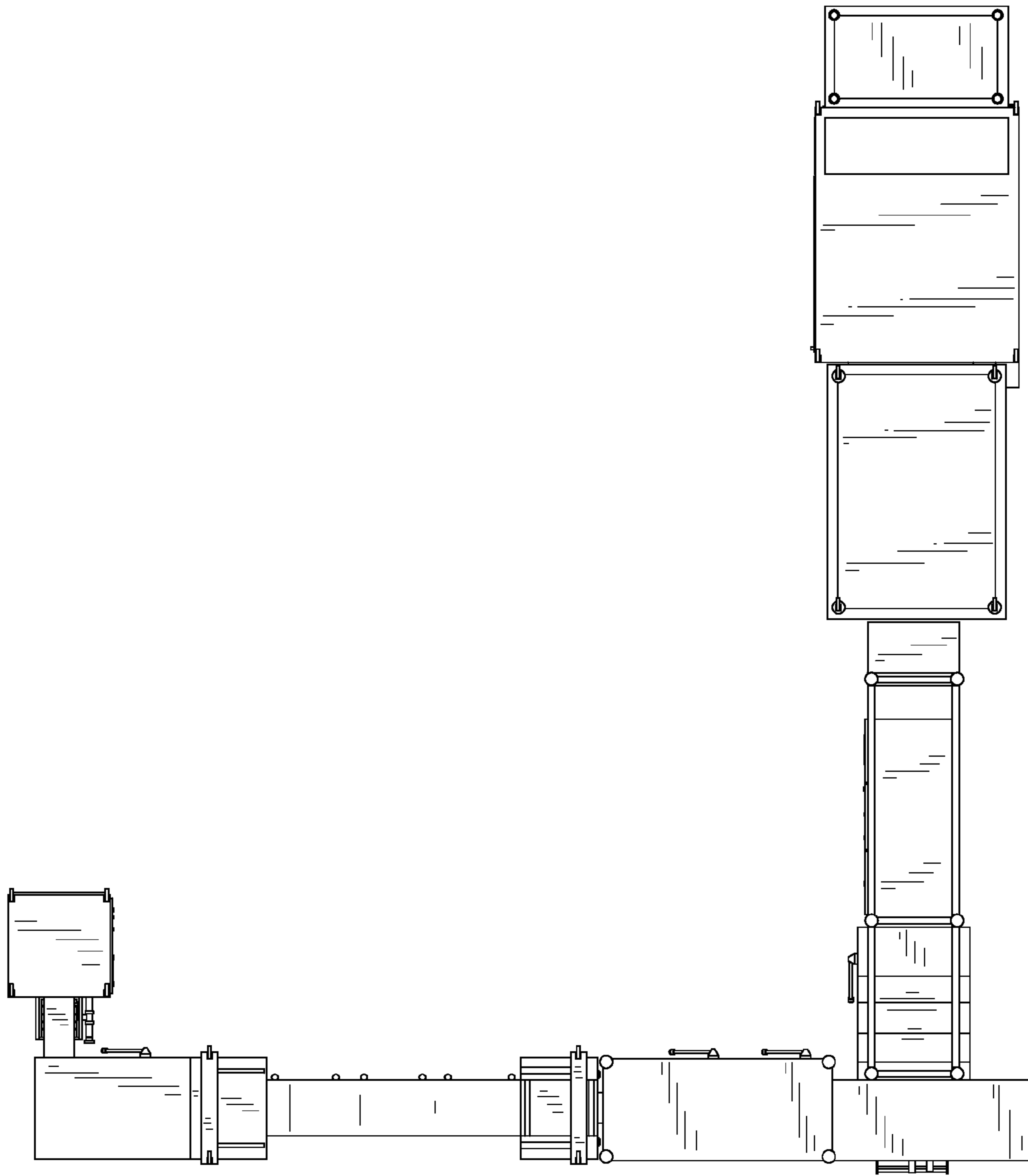


FIG. 10

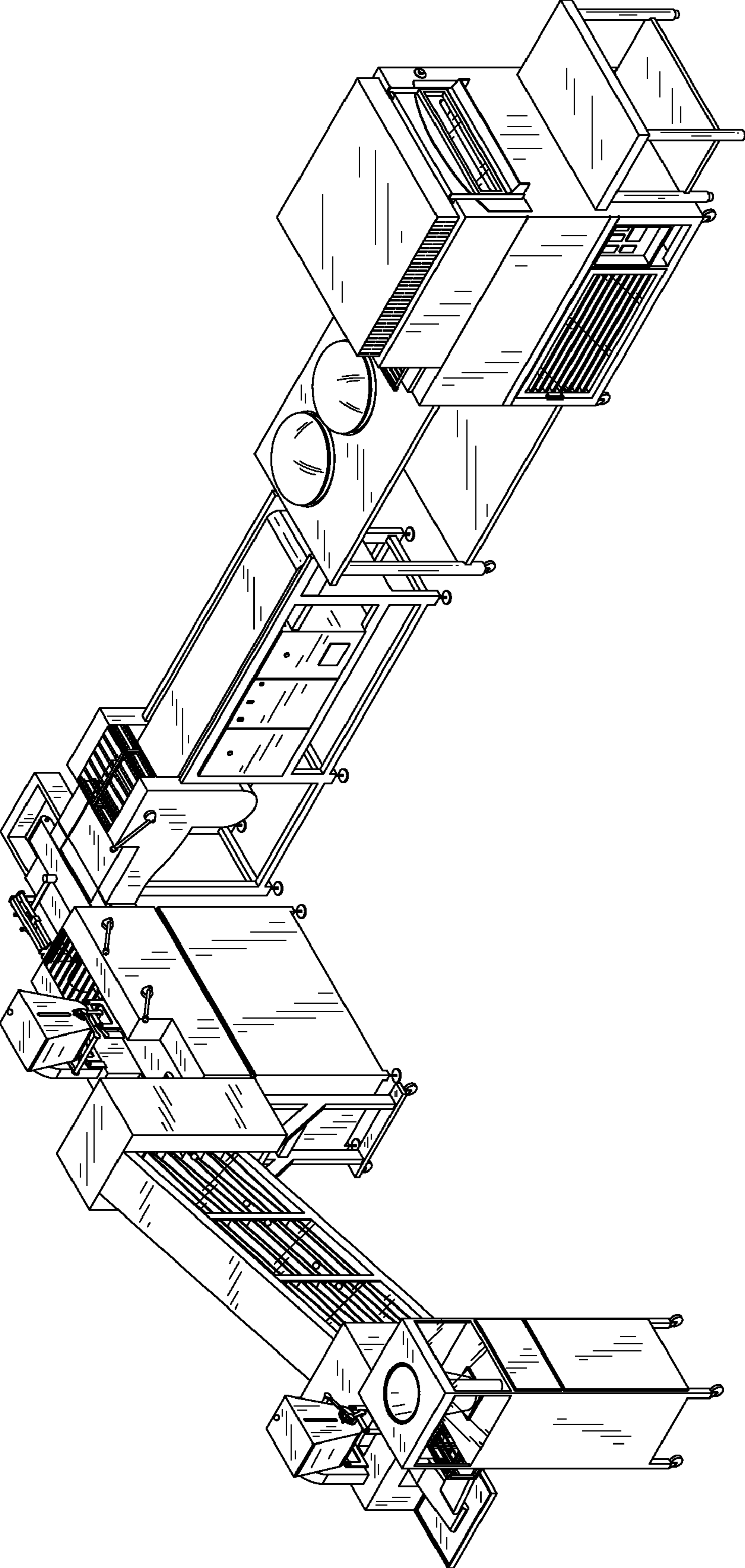


FIG.11

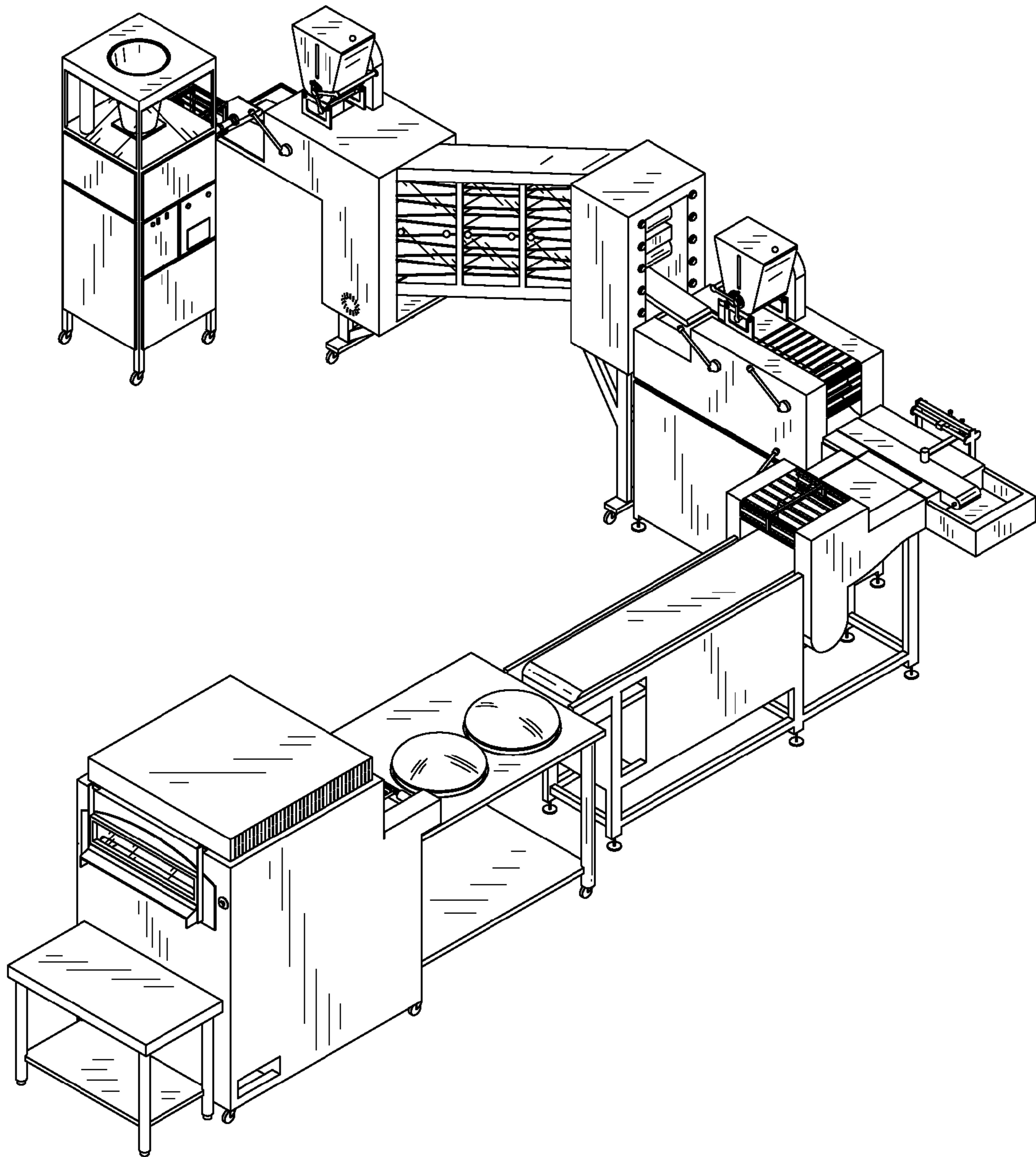


FIG. 12

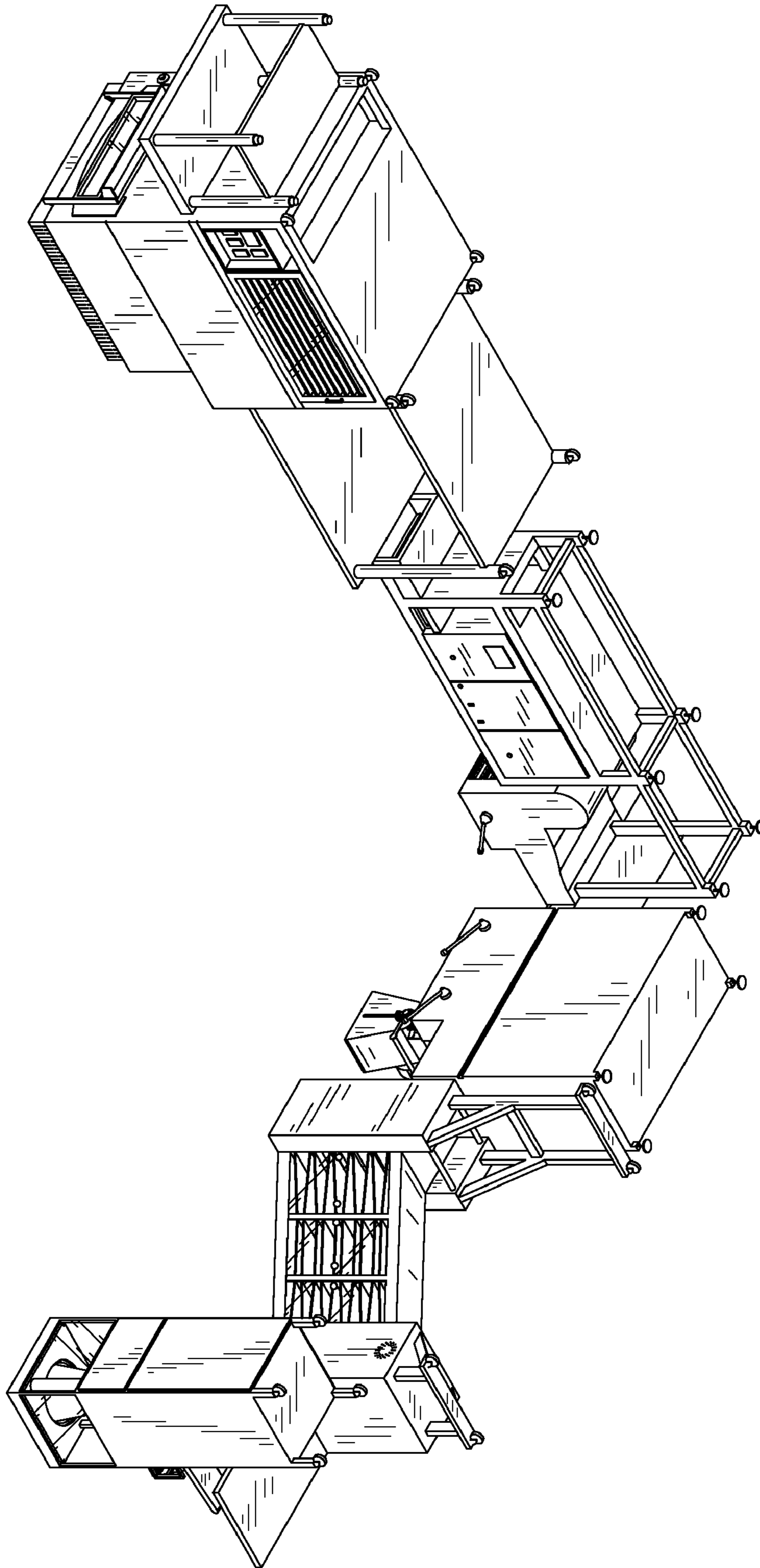


FIG.13

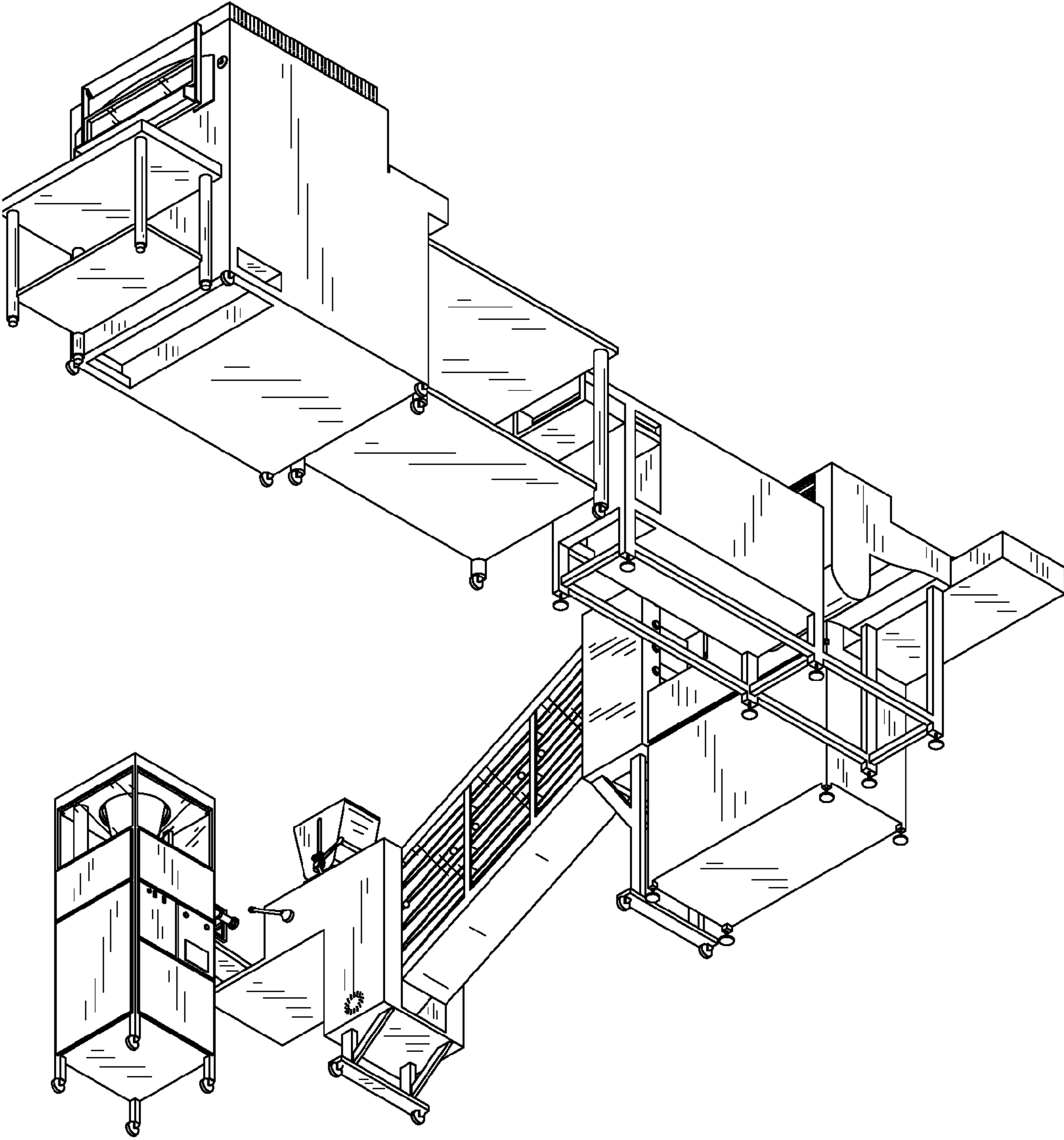


FIG.14

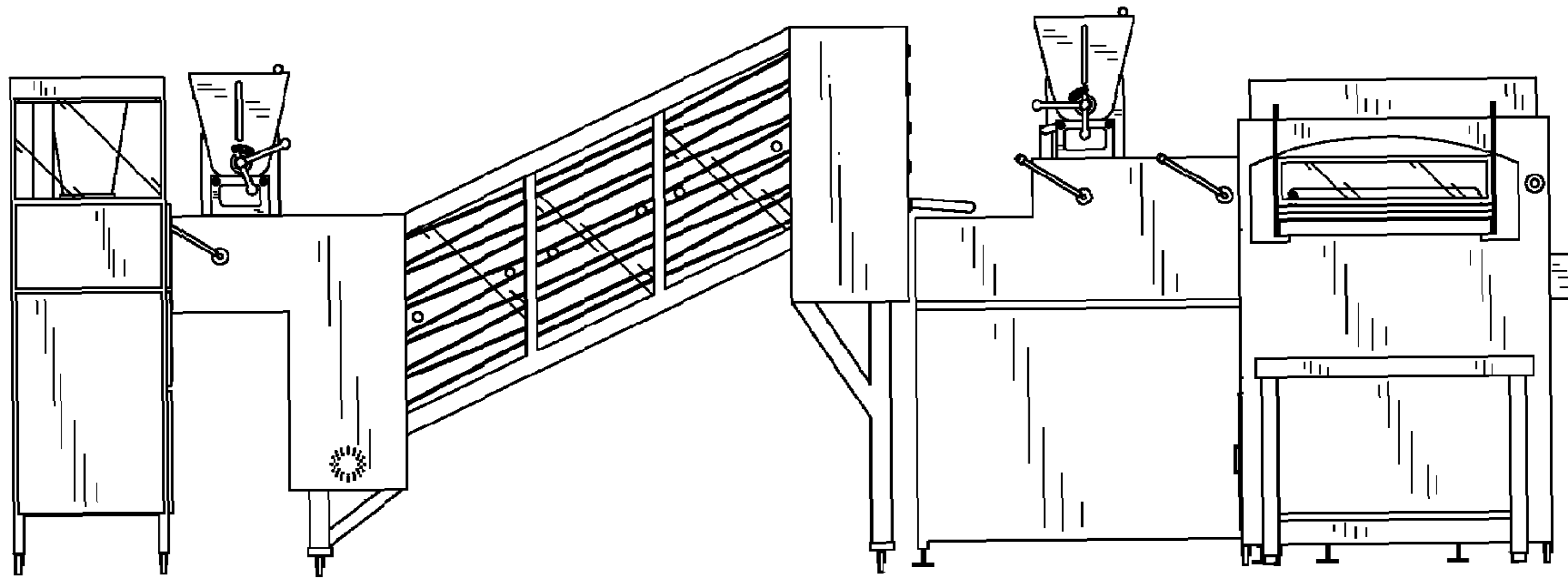


FIG. 15



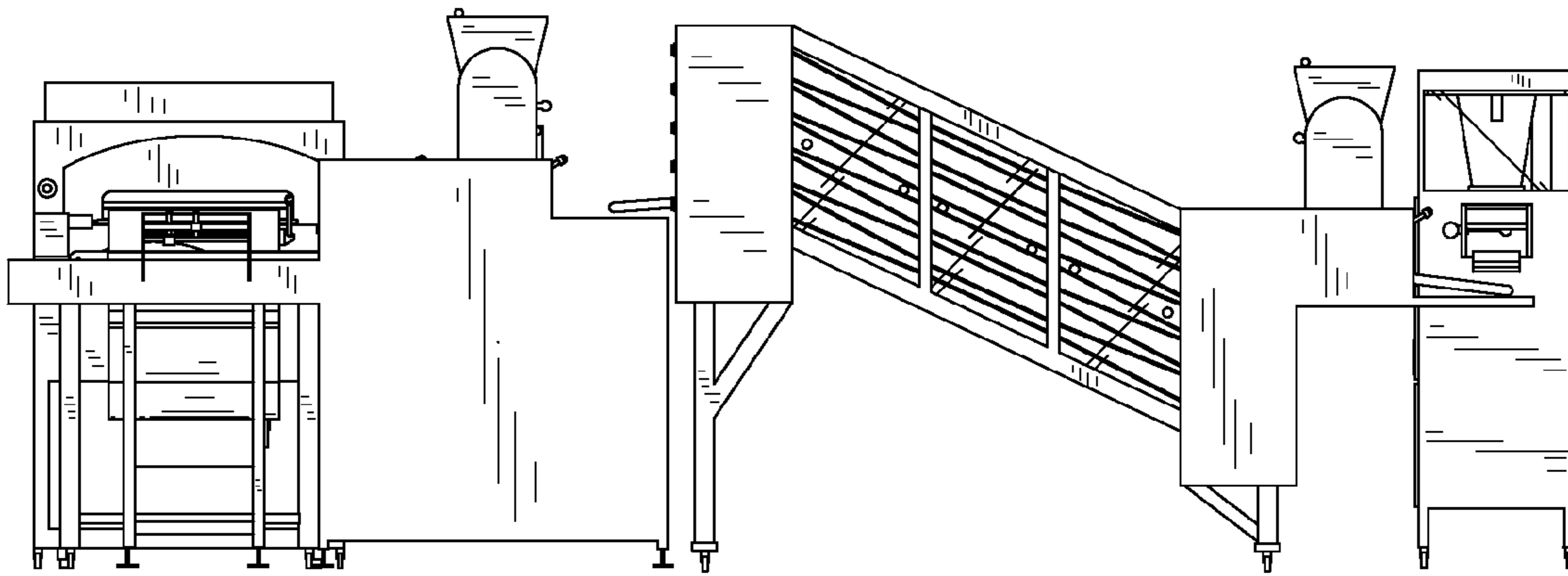


FIG.16

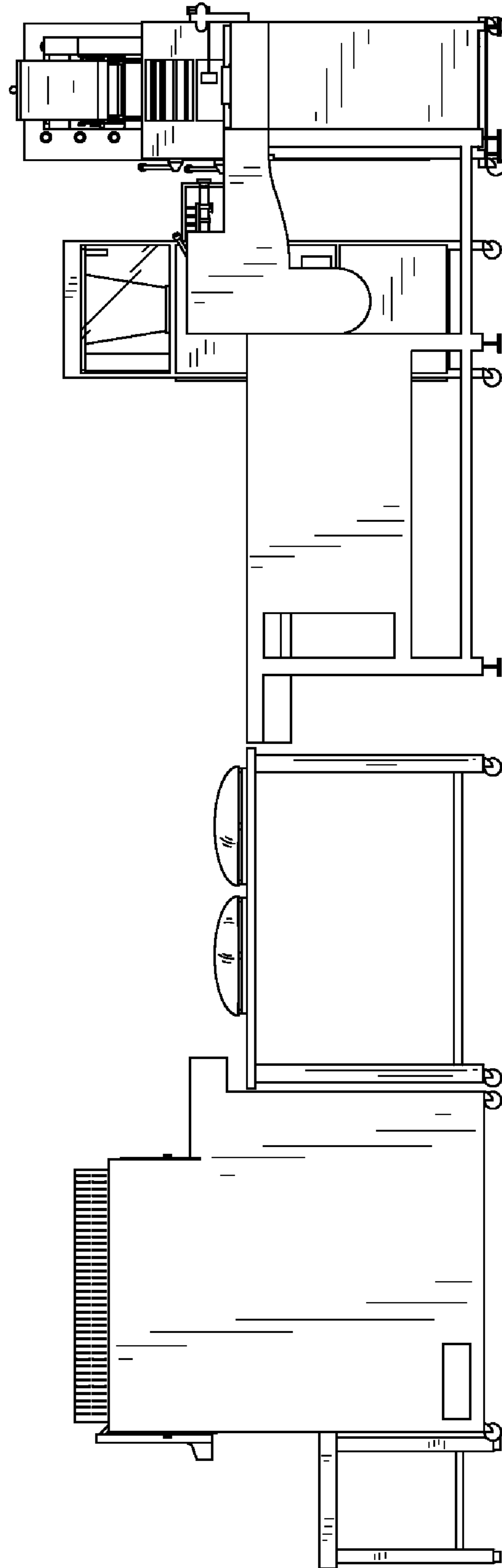


FIG.17

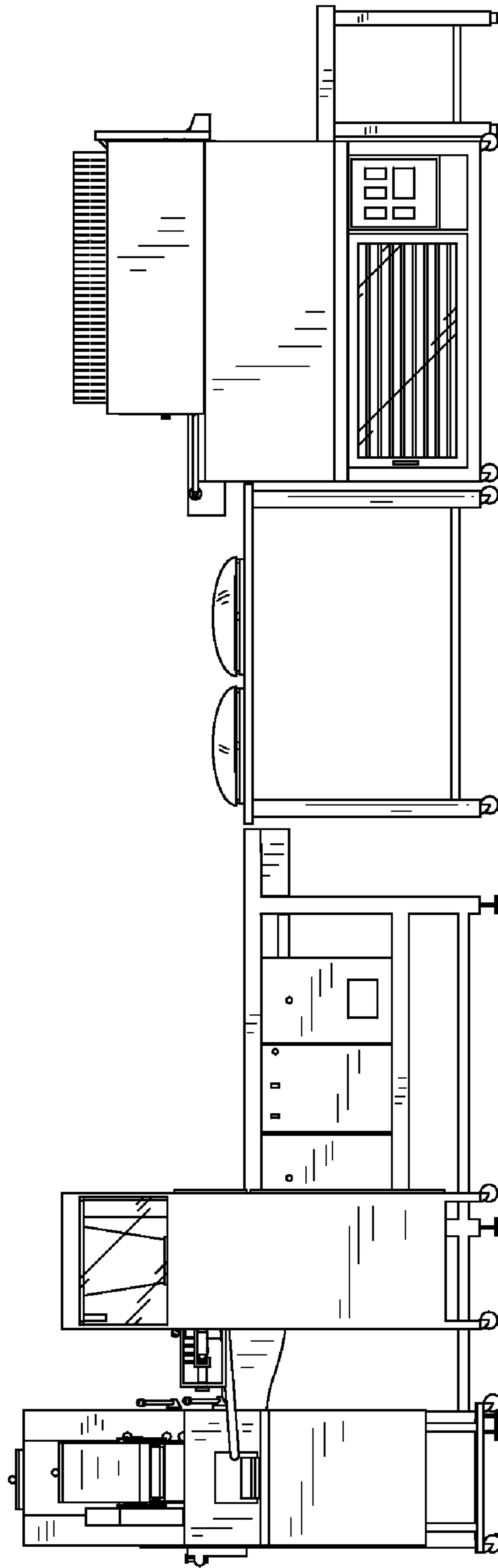


FIG. 18

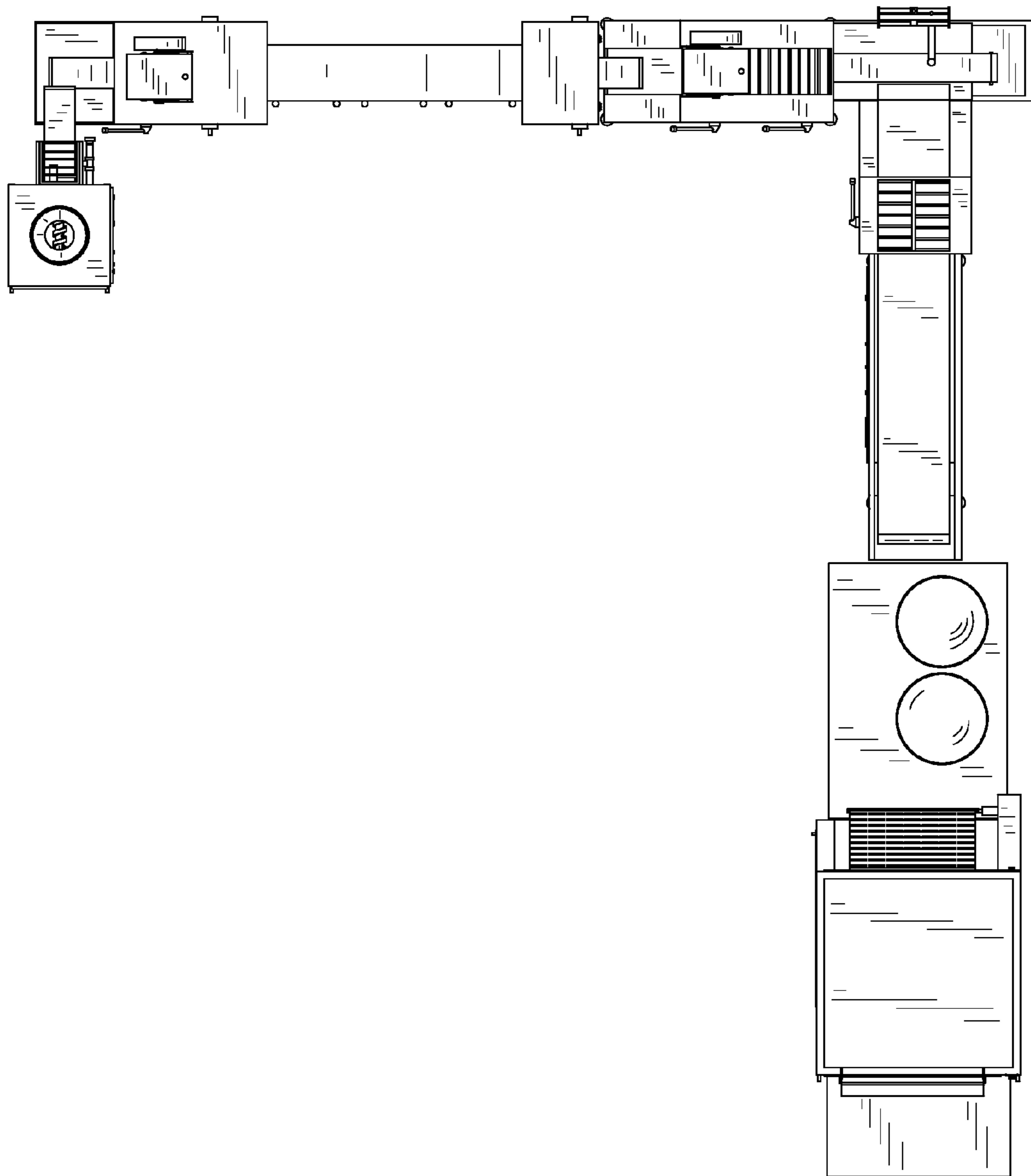


FIG. 19

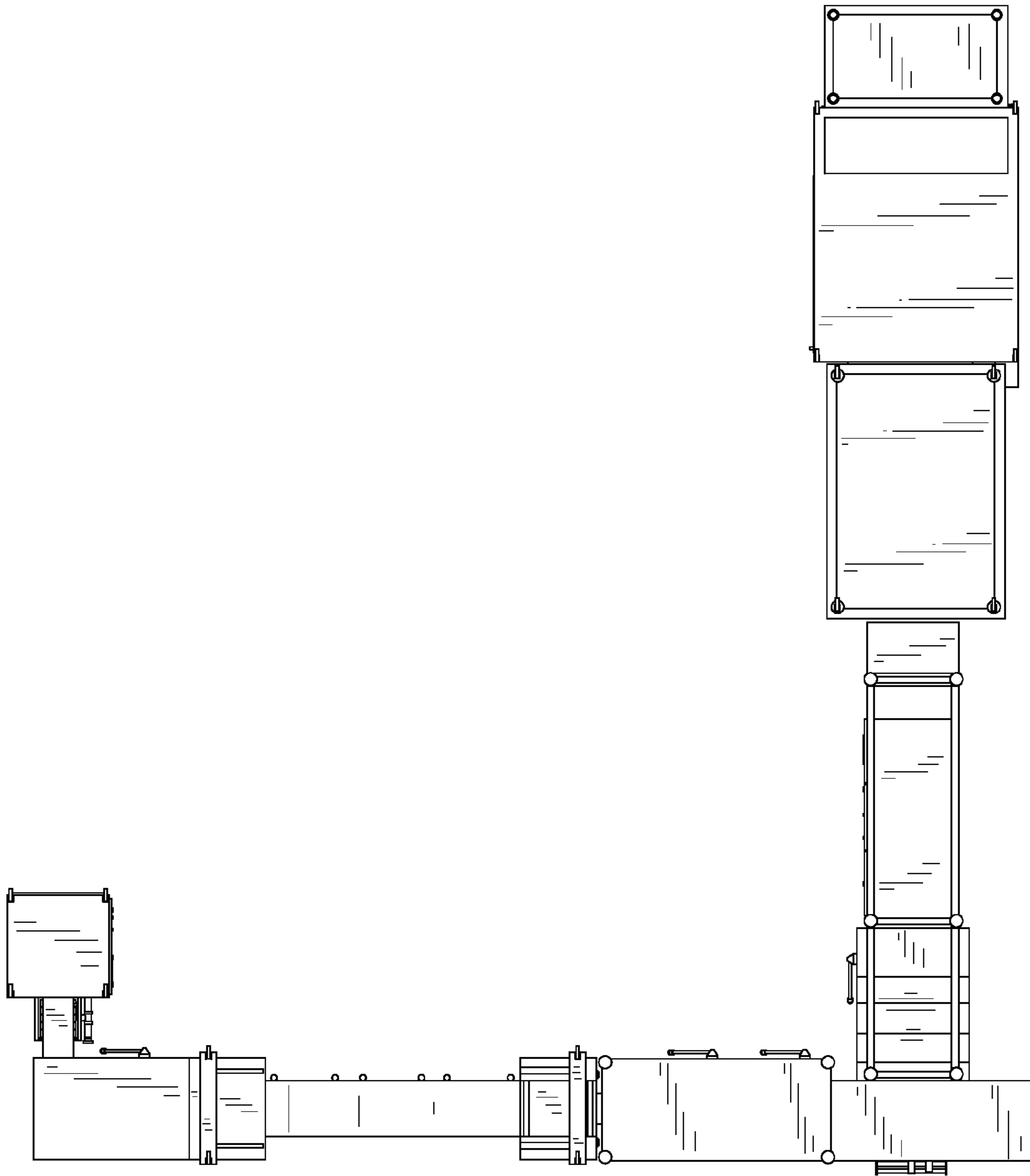


FIG. 20