



US00D615110S

(12) **United States Design Patent**
Flory et al.

(10) **Patent No.:** **US D615,110 S**
(45) **Date of Patent:** **** May 4, 2010**

(54) **SORTING DEVICE**

2008/0054545 A1* 3/2008 Calverley et al. 270/58.04

(75) Inventors: **Markus Flory**, Niederkassel (DE);
Rainer Forster, Niederkassel (DE);
Christian Weinsheimer, Gummersbach (DE)

FOREIGN PATENT DOCUMENTS

EC 000632351 1/2007

* cited by examiner

(73) Assignee: **mk Sorting Systems GmbH**, Troisdorf (DE)

Primary Examiner—Sandra Snapp

Assistant Examiner—Patricia Palasik

(74) *Attorney, Agent, or Firm*—Pauley Petersen Erickson

(**) Term: **14 Years**

(57) **CLAIM**

(21) Appl. No.: **29/292,374**

The ornamental design for a sorting device, as shown.

(22) Filed: **Oct. 10, 2007**

DESCRIPTION

(51) **LOC (9) Cl.** **15-99**

FIG. 1 is a perspective view of a sorting apparatus or terminal;

(52) **U.S. Cl.** **D15/145**

FIG. 2 is a front view of the sorting apparatus or terminal, as shown in FIG. 1;

(58) **Field of Classification Search** D15/122,
D15/147, 199; 209/542, 543, 573; 221/266

FIG. 3 is a rear view of the sorting apparatus or terminal, as shown in FIG. 1;

See application file for complete search history.

FIG. 4 is a side view of the sorting apparatus or terminal, as shown in FIG. 1;

(56) **References Cited**

U.S. PATENT DOCUMENTS

3,698,552 A * 10/1972 Wittman 209/665

FIG. 5 is a side view, opposite the side view shown in FIG. 4, of the sorting apparatus or terminal, as shown in FIG. 1;

D272,913 S * 3/1984 Boissicat D15/147

FIG. 6 is top view of the sorting apparatus or terminal, as shown in FIG. 1; and,

4,978,011 A * 12/1990 Gorlitz et al. 209/694

FIG. 7 is bottom view of the sorting apparatus or terminal, as shown in FIG. 1.

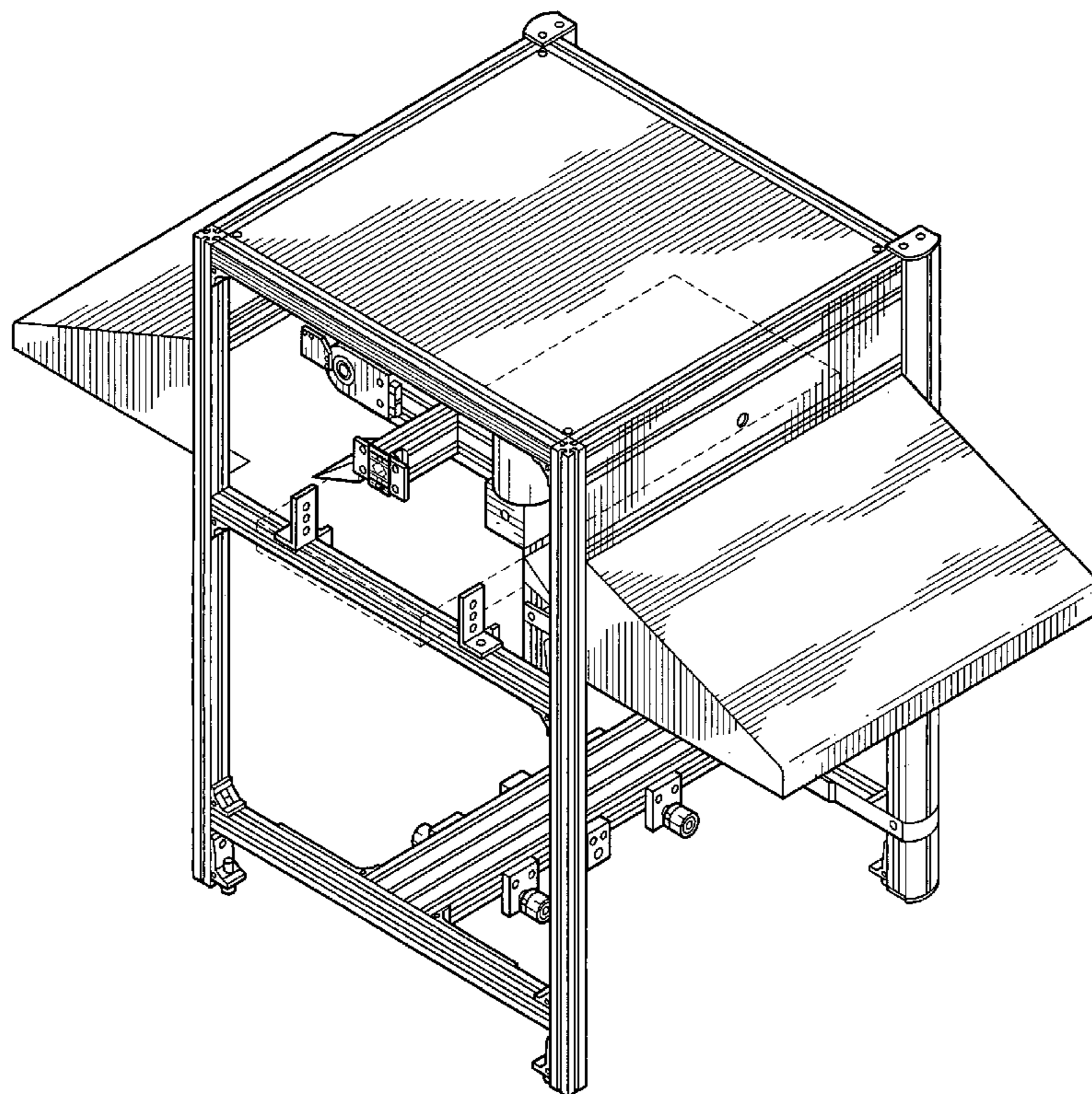
5,323,912 A * 6/1994 Fan et al. 209/593

6,994,220 B2 * 2/2006 Scherertz et al. 209/539

2003/0201211 A1 * 10/2003 Bennett et al. 209/586

2007/0221548 A1 * 9/2007 Song et al. 209/543

1 Claim, 7 Drawing Sheets



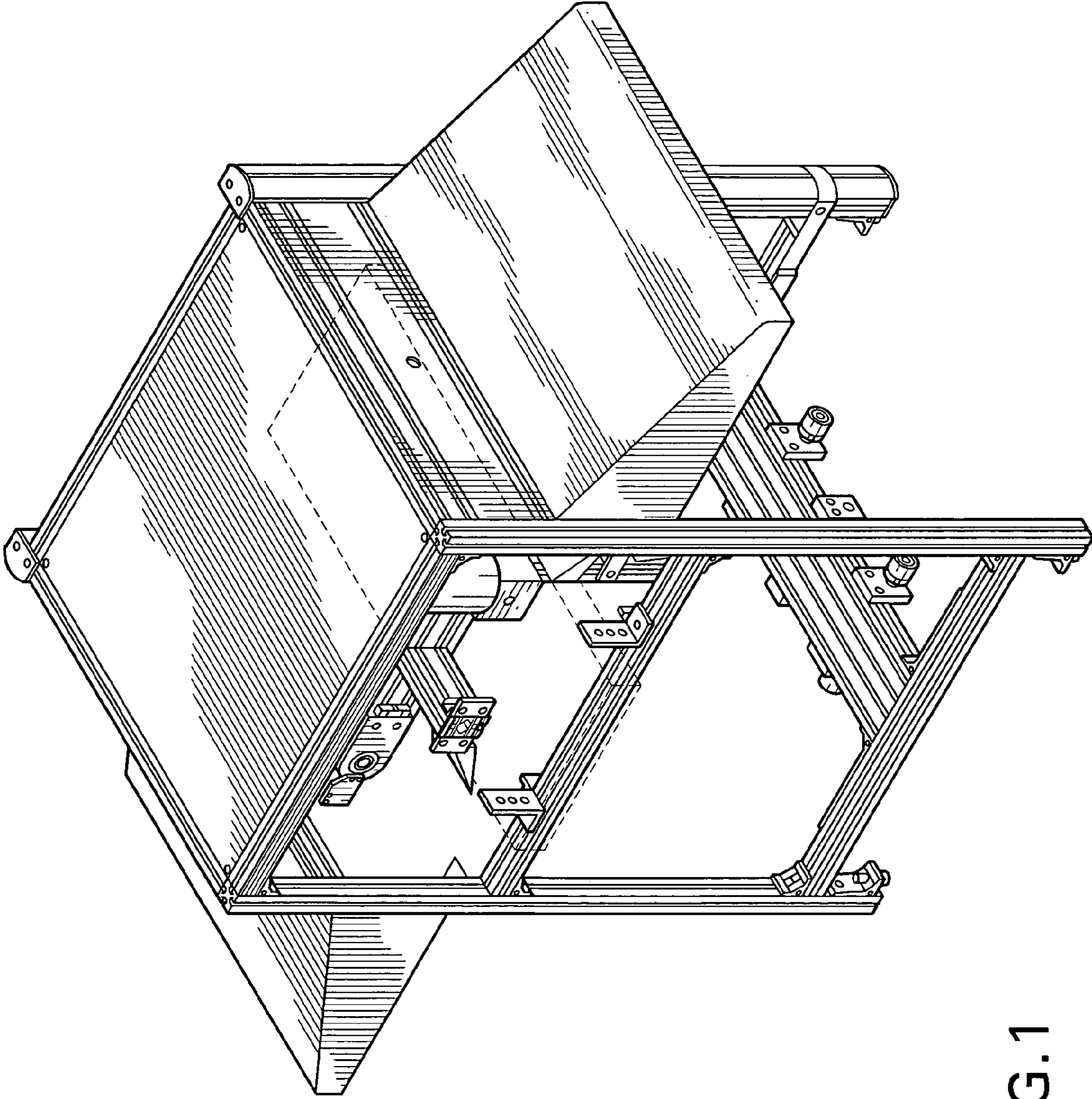


FIG.1

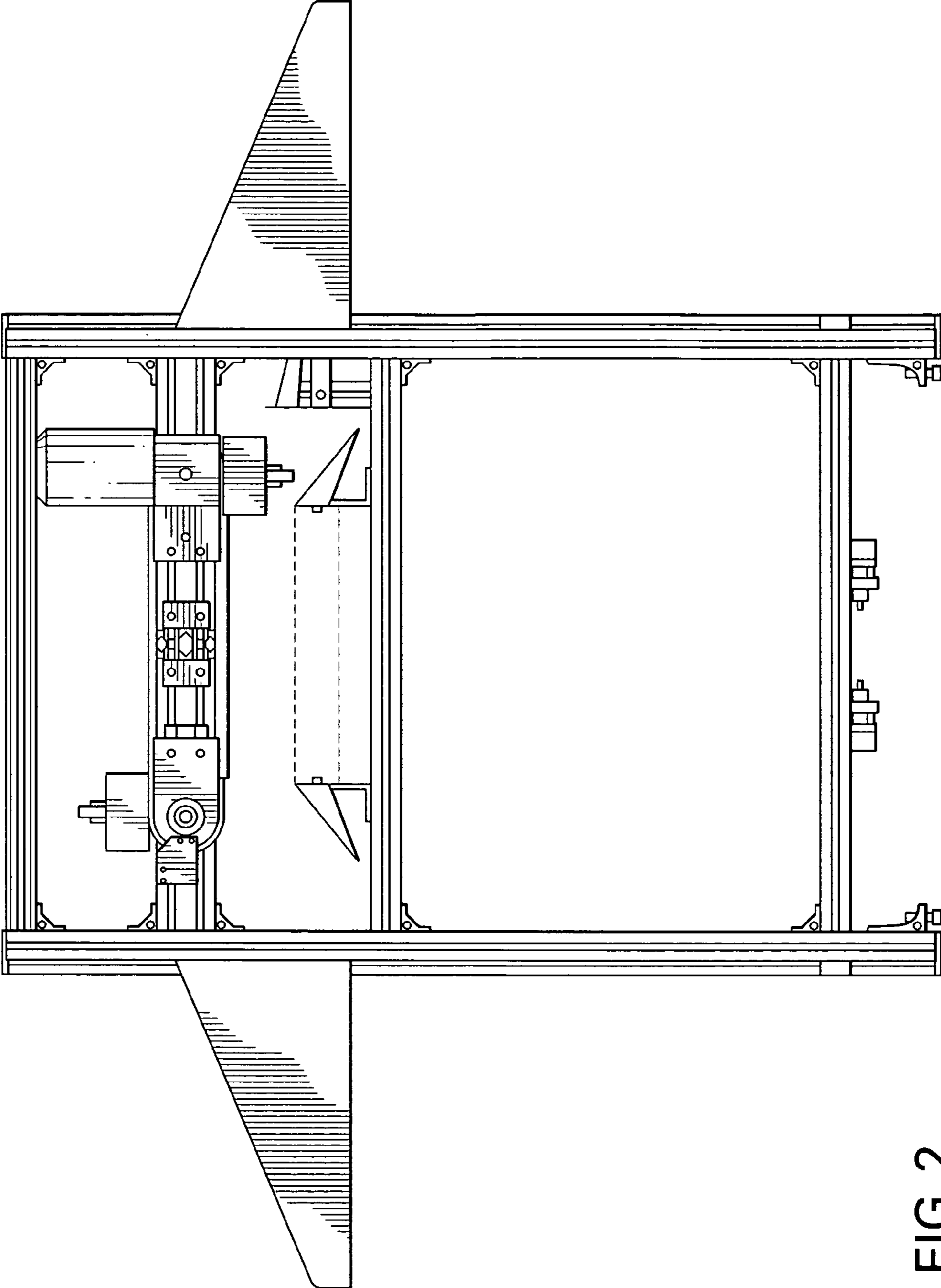


FIG. 2

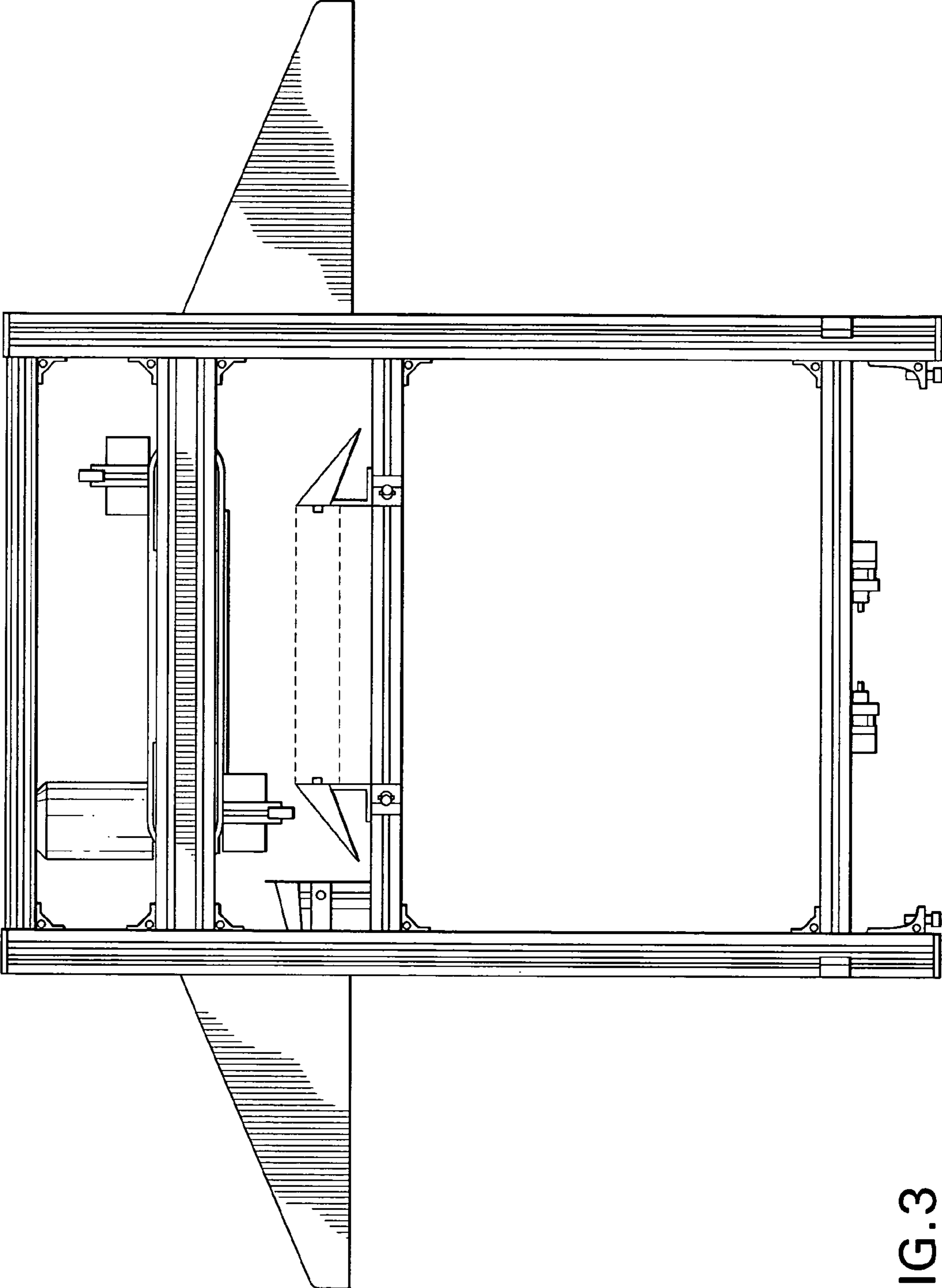


FIG. 3

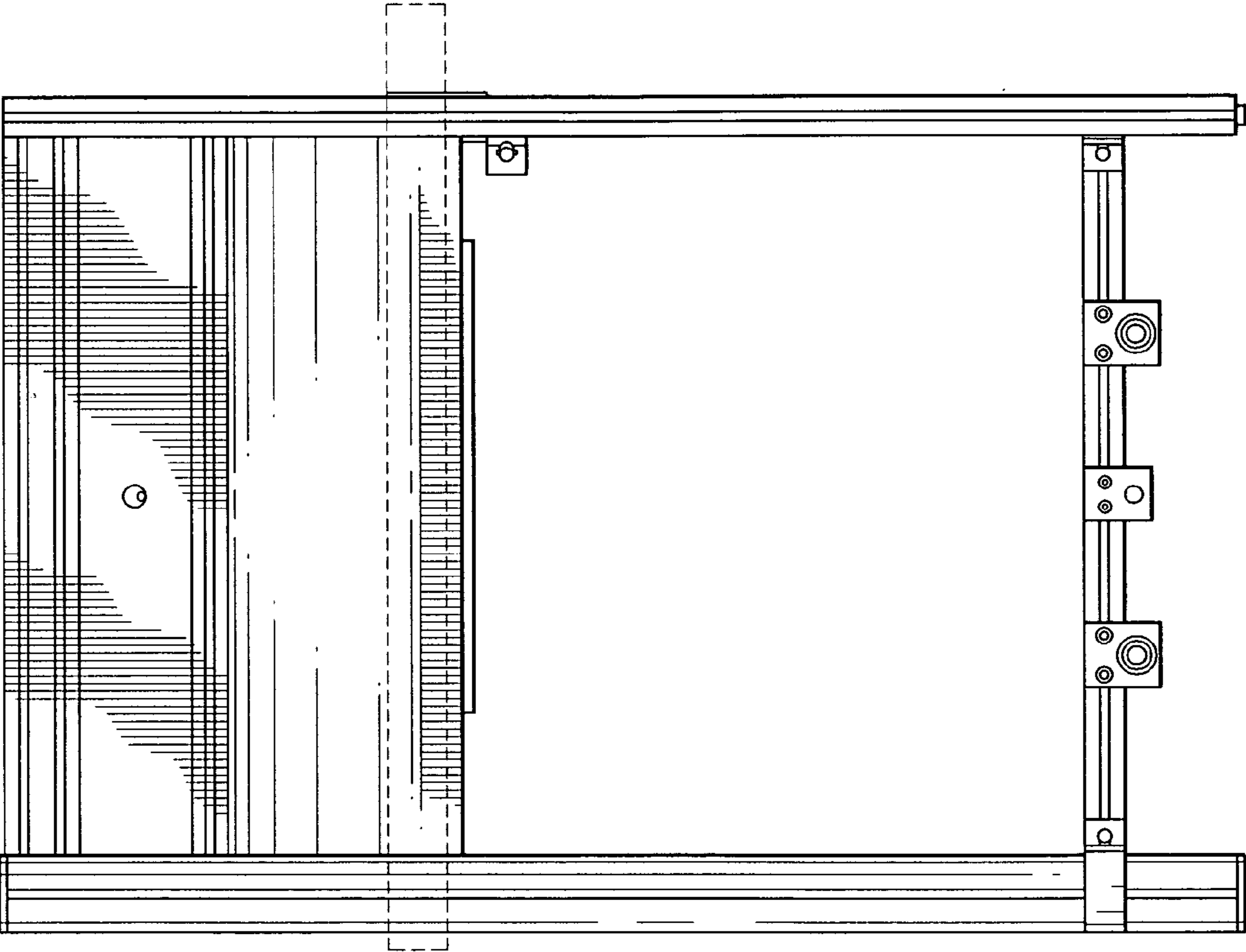


FIG. 4

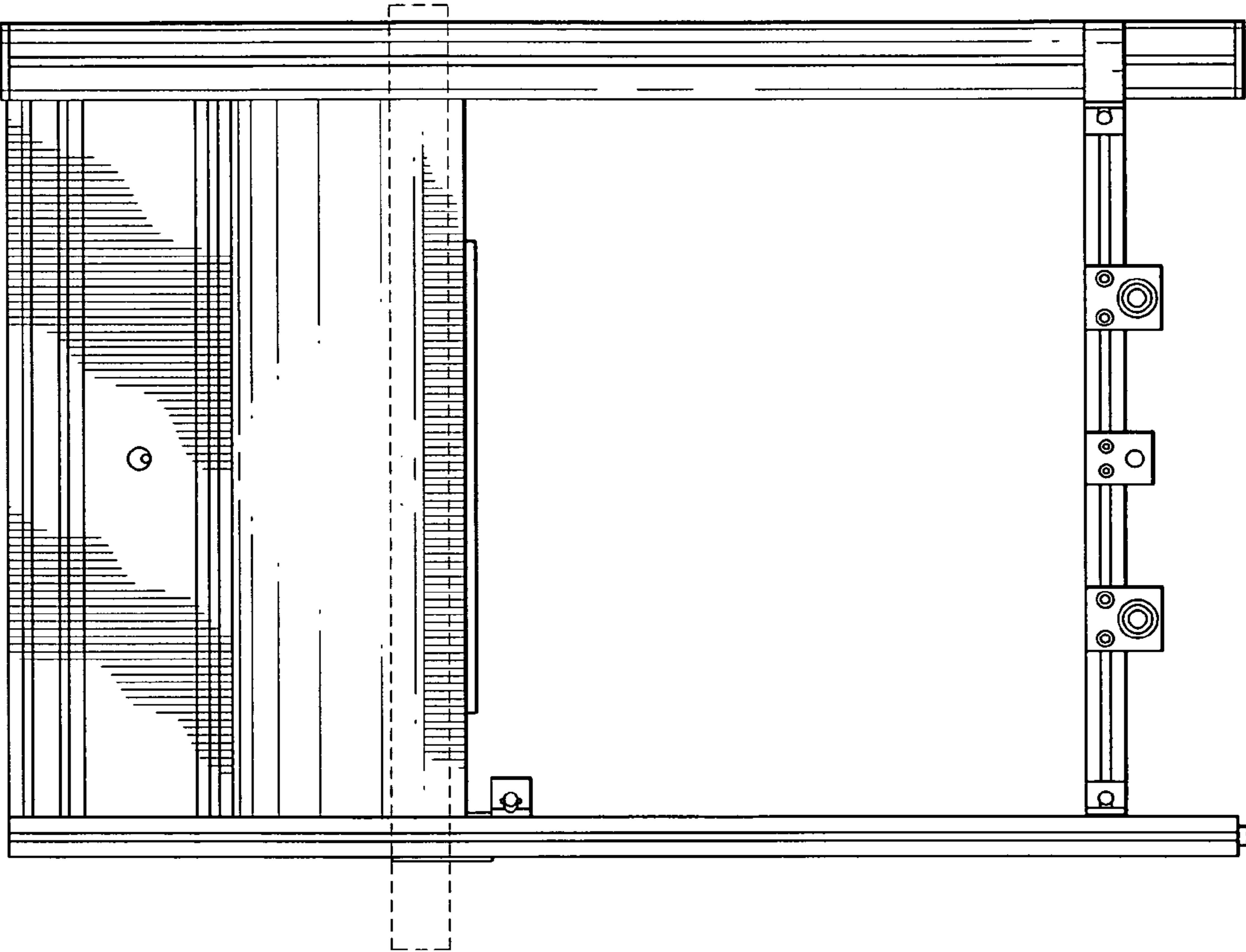


FIG. 5

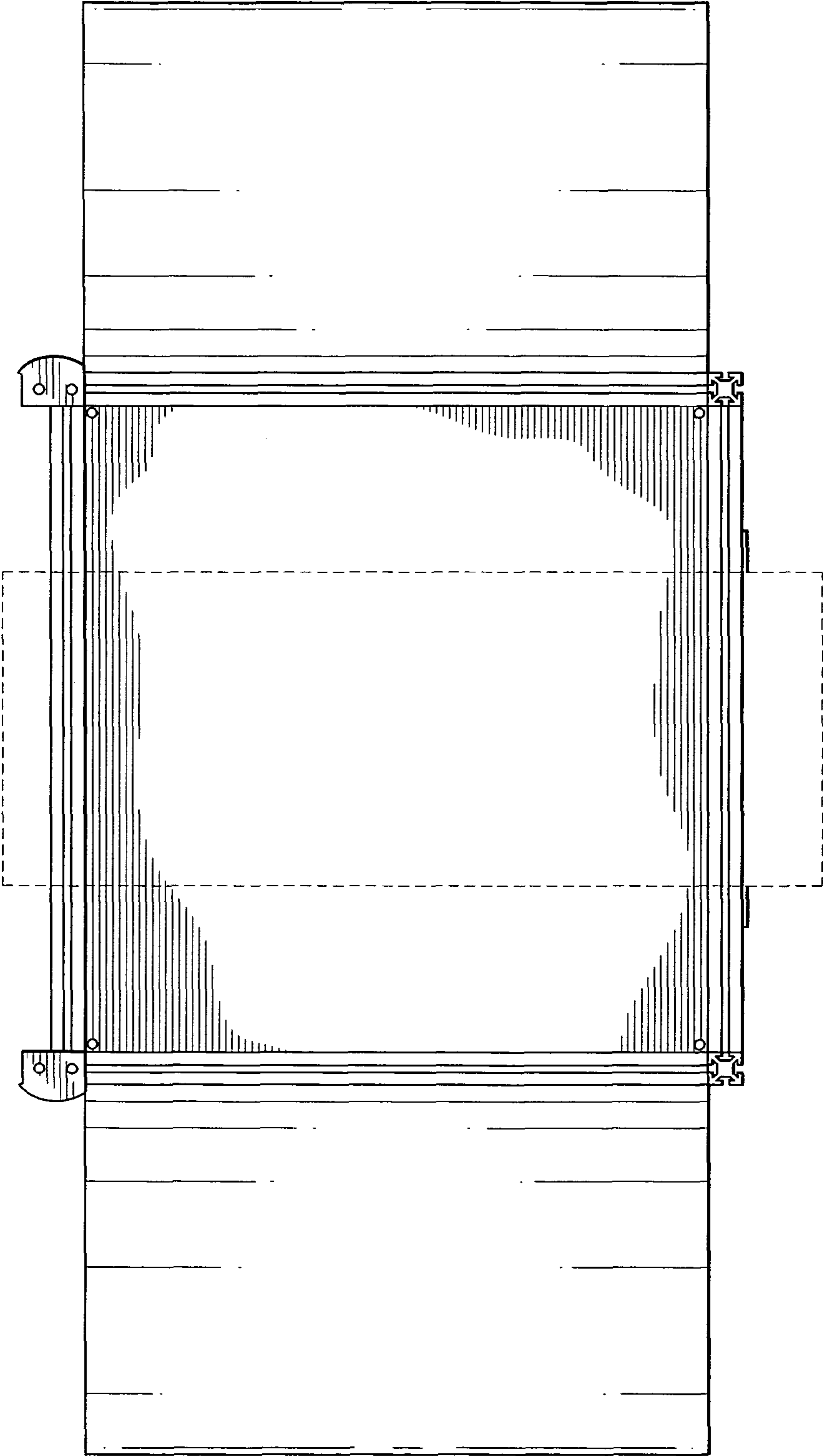


FIG. 6

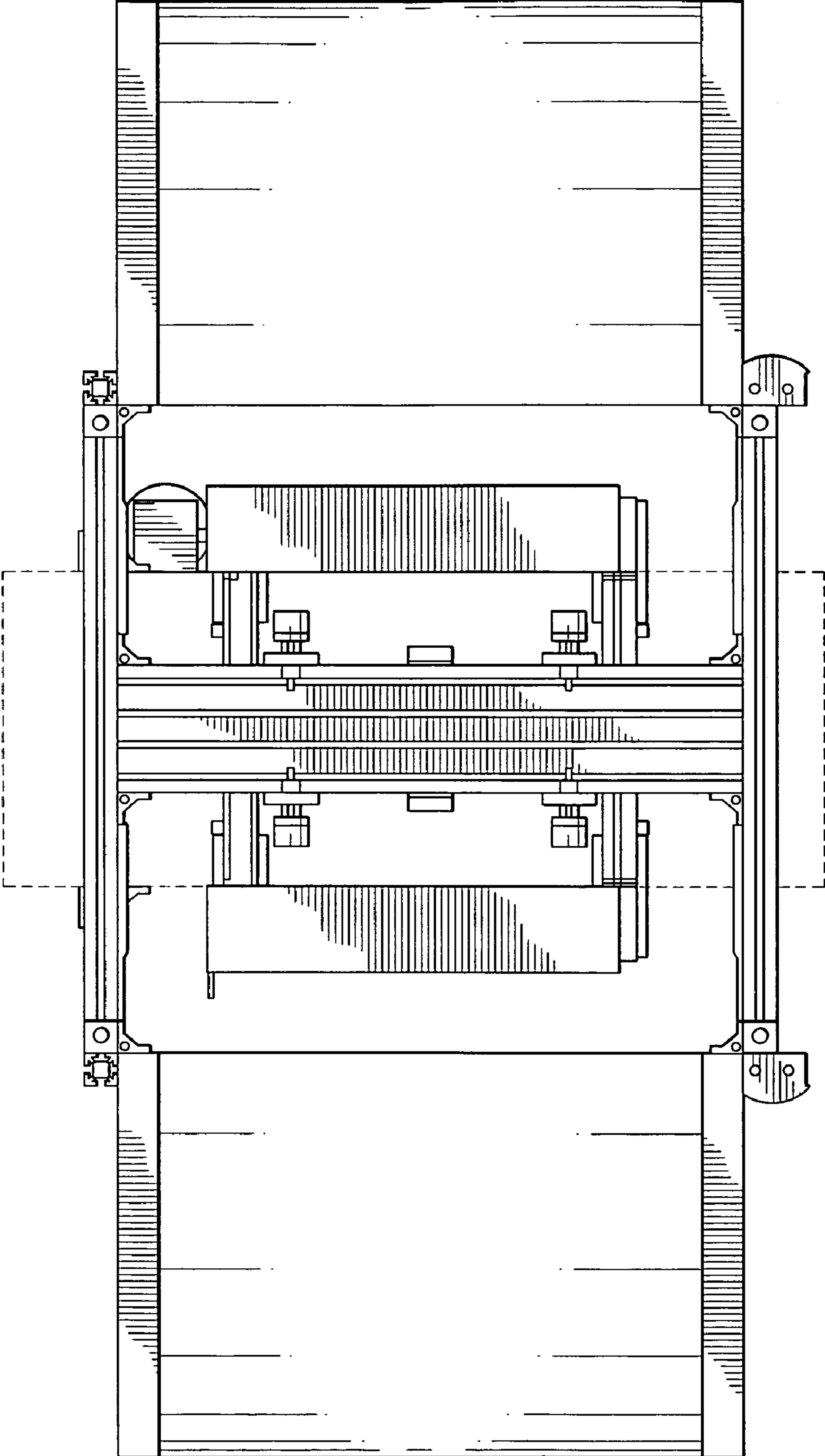


FIG. 7