



US00D615108S

(12) **United States Design Patent**
Kelly et al.

(10) **Patent No.:** **US D615,108 S**

(45) **Date of Patent:** **** May 4, 2010**

(54) **HARROW MEMBER CHAIN**

(76) Inventors: **Shane P. Kelly**, P.O. Box 200, Booleroo Centre, South Australia (AU) 5482;
Peter L. L. Kelly, P.O. Box 100, Booleroo Centre, South Australia (AU) 5482

(**) Term: **14 Years**

(21) Appl. No.: **29/344,891**

(22) Filed: **Oct. 6, 2009**

Related U.S. Application Data

(63) Continuation of application No. 11/765,182, filed on Jun. 19, 2007, now Pat. No. 7,607,489.

(51) **LOC (9) Cl.** **15-03**

(52) **U.S. Cl.** **D15/28**

(58) **Field of Classification Search** D15/10, D15/11, 27, 28, 29, 33; 172/579, 311, 568, 172/612, 468, 637, 662, 684.5, 689, 551, 172/576, 595, 455, 518, 527, 567, 586, 142, 172/152, 154, 178, 181, 196, 440, 441, 314, 172/548, 454, 583, 140, 776, 22, 442, 145-147, 172/175, 669

See application file for complete search history.

(56) **References Cited**

U.S. PATENT DOCUMENTS

92,233	A *	7/1869	Turner	172/657
130,451	A *	8/1872	Swift	172/612
140,563	A *	7/1873	Watt	172/612
189,181	A *	4/1877	Bousfield	172/612
278,632	A *	5/1883	Thronson	172/612
506,491	A *	10/1893	Goward	172/612
725,359	A *	4/1903	Pfeiffer et al.	172/612
738,361	A *	9/1903	Schlosser	172/612
765,542	A *	7/1904	Belanger	37/381

768,358	A *	8/1904	Davis	172/612
1,047,061	A *	12/1912	Hunter	172/684.5
1,314,292	A *	8/1919	Wallesverd	172/189
1,944,674	A *	1/1934	Silver	172/284
2,751,736	A *	6/1956	Hessemer	144/34.6
2,825,983	A *	3/1958	Finn	56/295
3,310,122	A *	3/1967	Mack	172/34
4,035,945	A *	7/1977	Newman	43/42.15
4,396,070	A *	8/1983	Brandner et al.	172/572
4,420,048	A *	12/1983	Peterson	172/568
4,582,142	A *	4/1986	Bridge	172/34
4,893,682	A *	1/1990	Smallacombe	172/311
5,143,160	A *	9/1992	May	172/311
5,662,173	A *	9/1997	Blesing	172/526
6,484,812	B1 *	11/2002	Clark	172/540
6,612,381	B2 *	9/2003	Powell et al.	172/586
6,892,622	B2 *	5/2005	Watson	89/1.13
6,959,769	B2 *	11/2005	Merten et al.	172/612
7,594,546	B2 *	9/2009	Ankenman	172/540
2009/0071668	A1 *	3/2009	Hennigar	172/612

* cited by examiner

Primary Examiner—Ian Simmons

Assistant Examiner—Mark A Goodwin

(74) *Attorney, Agent, or Firm*—Dale J. Ream

(57) **CLAIM**

The ornamental design for a harrow member chain, as shown and described.

DESCRIPTION

FIG. 1 is a perspective view of a harrow member chain showing our new design;

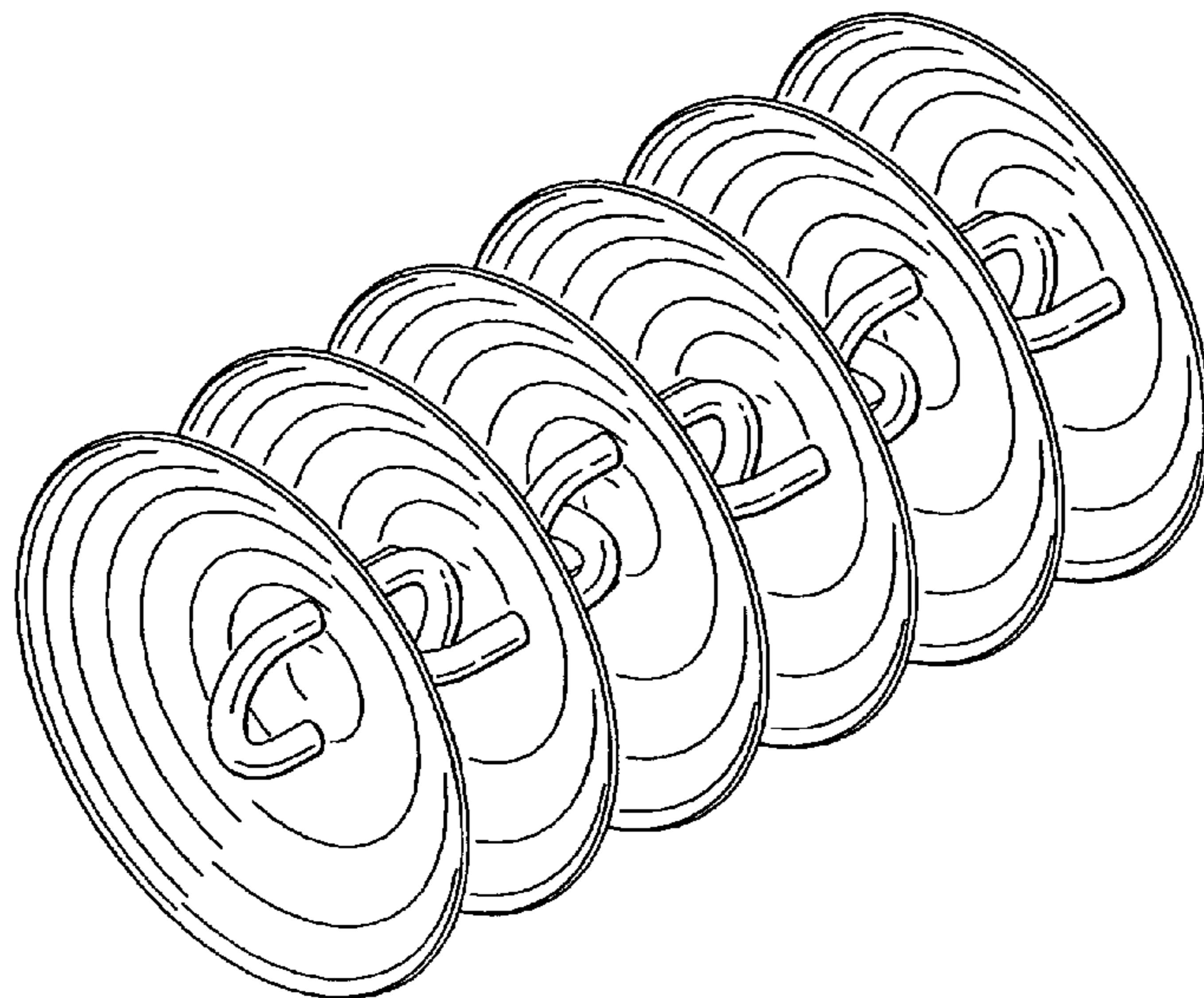
FIG. 2 is a front view thereof;

FIG. 3 is a top view thereof;

FIG. 4 is a right side view thereof; and,

FIG. 5 is a left side view thereof.

1 Claim, 3 Drawing Sheets



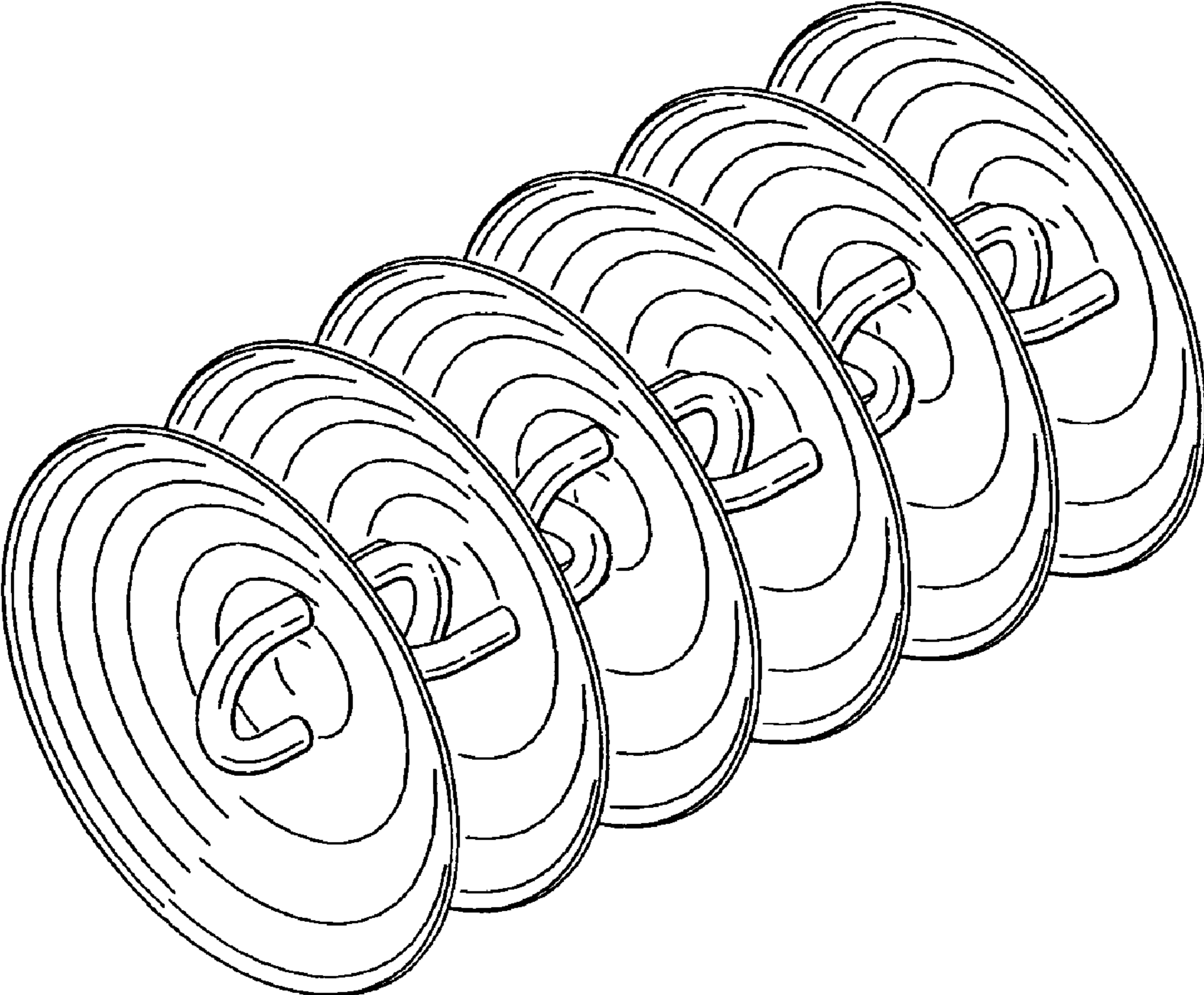


FIG. 1

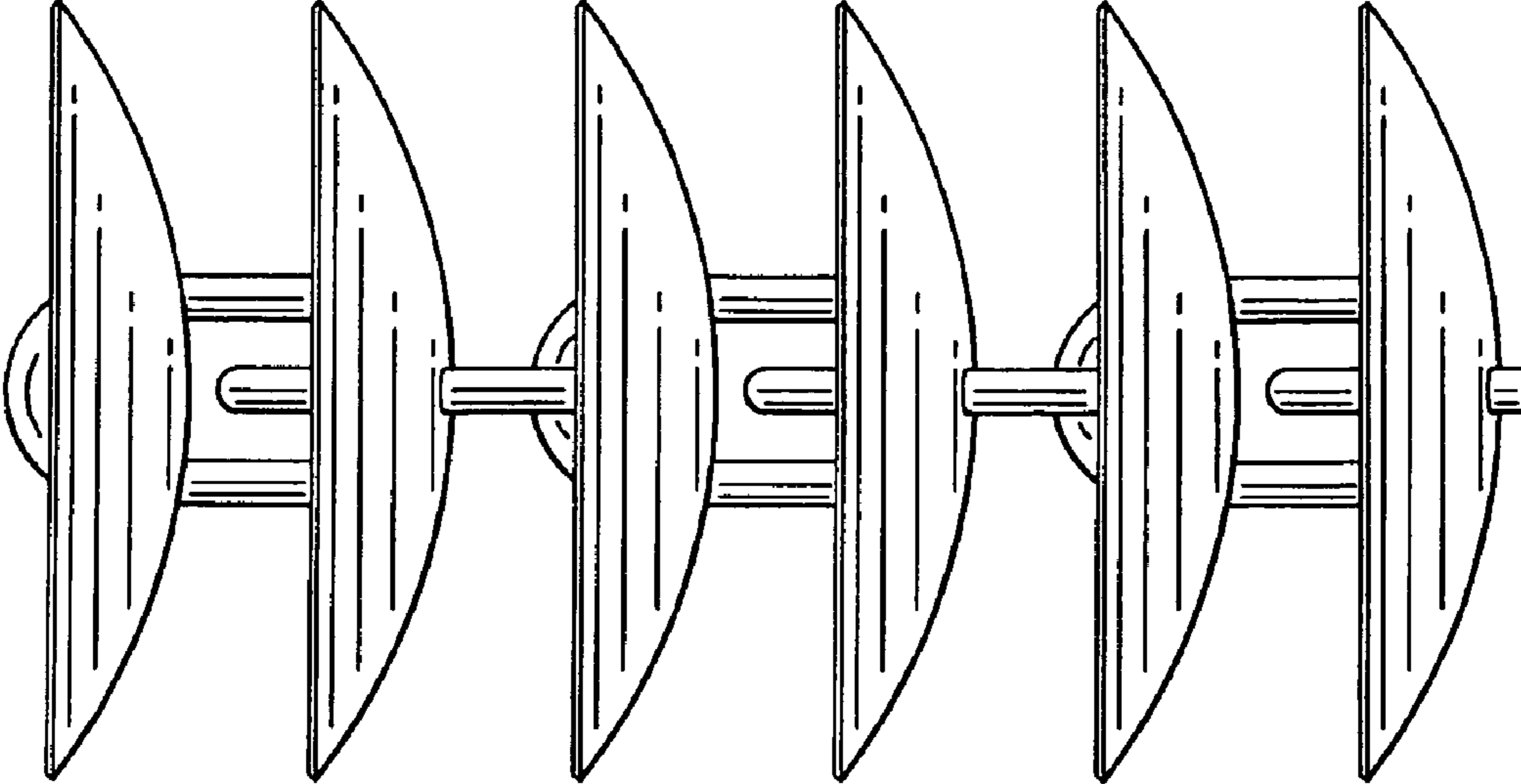


FIG. 2

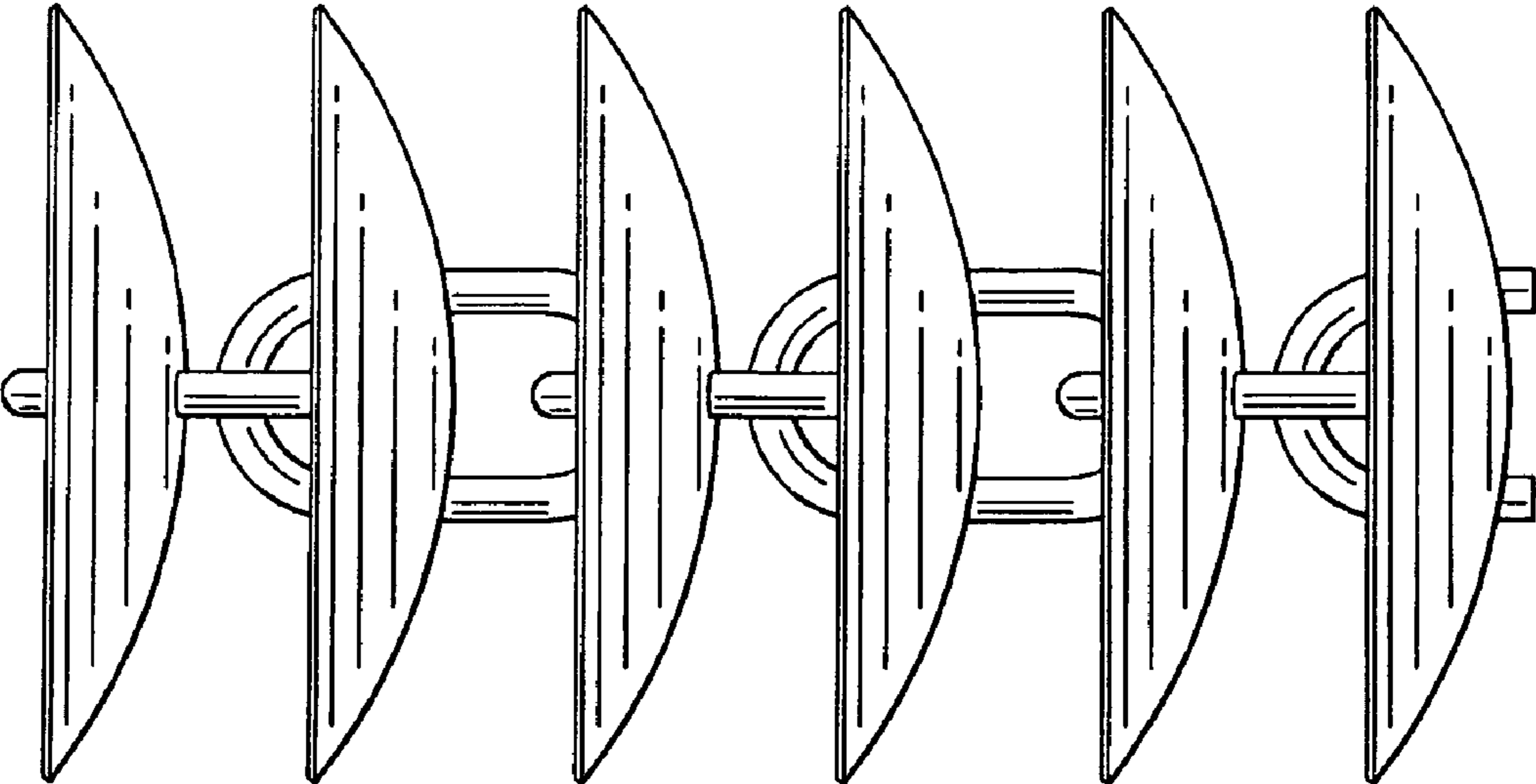


FIG. 3

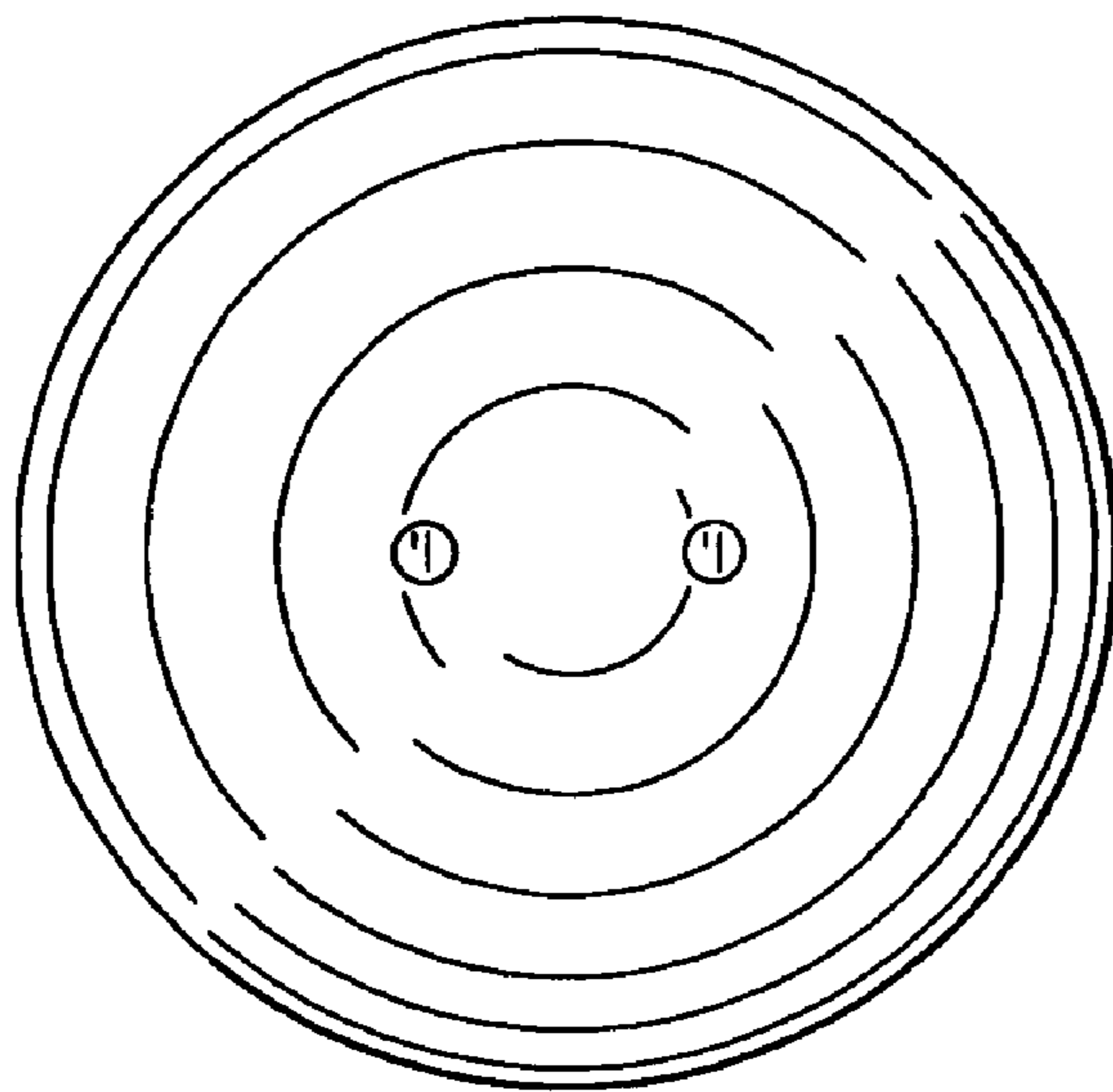


FIG. 4

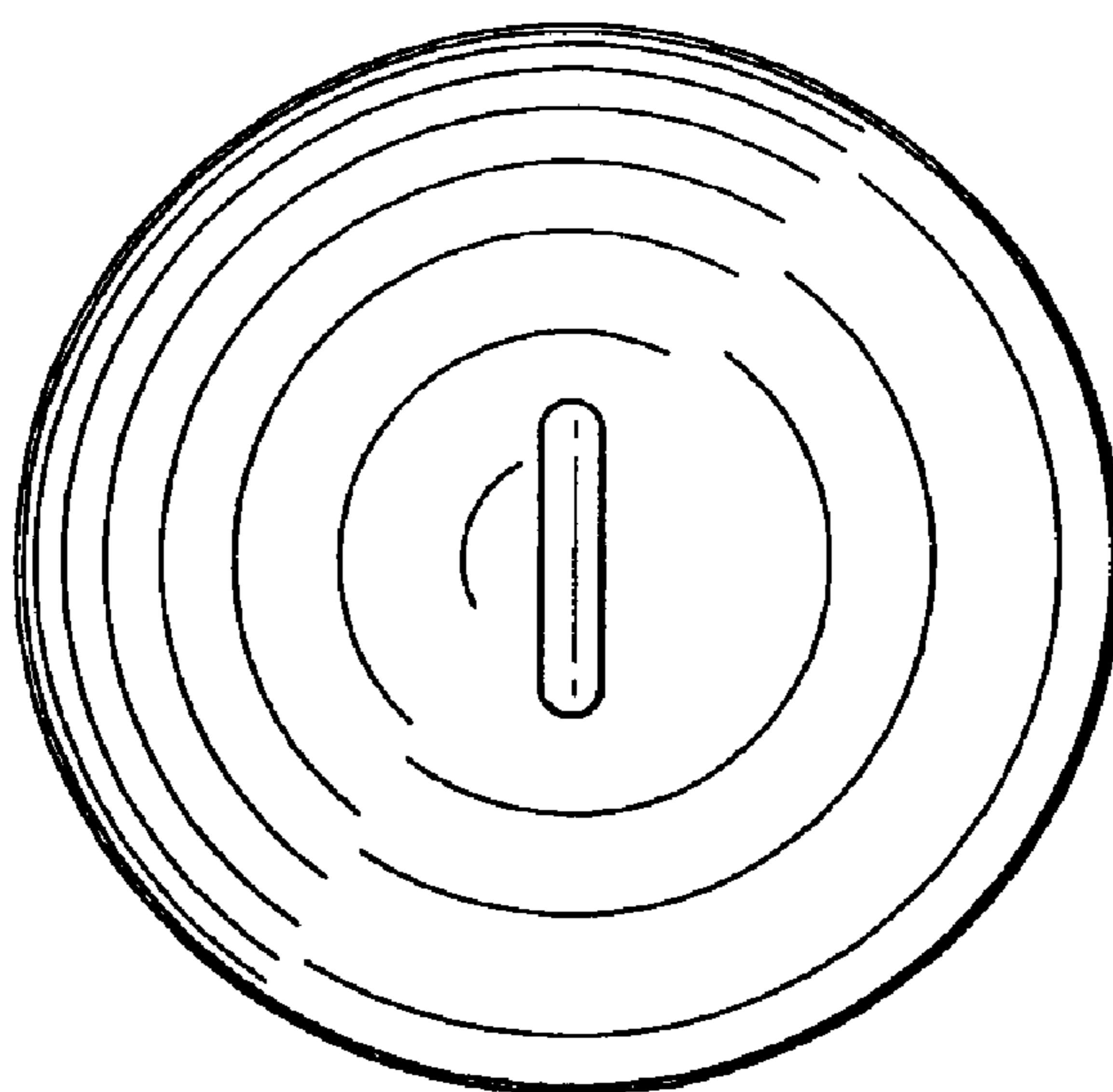


FIG. 5