



US00D615105S

(12) **United States Design Patent**
Abiko

(10) **Patent No.:** **US D615,105 S**

(45) **Date of Patent:** **** May 4, 2010**

(54) **RUBBER CRAWLER**

(75) Inventor: **Yutaka Abiko**, Tokyo (JP)

(73) Assignee: **Bridgestone Corporation**, Tokyo (JP)

(**) Term: **14 Years**

(21) Appl. No.: **29/343,278**

(22) Filed: **Sep. 10, 2009**

(30) **Foreign Application Priority Data**

May 26, 2009 (JP) 2009-011712

(51) **LOC (9) Cl.** **15-03**

(52) **U.S. Cl.** **D15/28**

(58) **Field of Classification Search** D15/22–26,
D15/28; D21/491, 495, 537, 431, 484; 152/108,
152/62, 88; 305/35, 44, 160, 185, 53, 201,
305/46, 50, 196, 198, 200, 39, 162, 187,
305/191, 189

See application file for complete search history.

(56) **References Cited**

U.S. PATENT DOCUMENTS

6,079,802	A *	6/2000	Nishimura et al.	305/157
6,106,083	A *	8/2000	Ono	305/171
6,176,557	B1 *	1/2001	Ono	305/177
D454,890	S *	3/2002	Tsuru	D15/28
D455,444	S *	4/2002	Tsuru	D15/28
6,402,268	B1 *	6/2002	Lussier	305/165
D472,905	S *	4/2003	Feldmann	D15/28
D474,205	S *	5/2003	Feldmann	D15/28
D484,515	S *	12/2003	Nishimura	D15/28
D496,051	S *	9/2004	Yoshida	D15/28
D514,133	S *	1/2006	Fujita	D15/28
D543,218	S *	5/2007	Yoshida	D15/28
D549,741	S *	8/2007	Tateishi	D15/28
D557,713	S *	12/2007	Sugihara	D15/28
D561,786	S *	2/2008	Tateishi	D15/28
D562,353	S *	2/2008	Sugihara	D15/28
D562,852	S *	2/2008	Tateishi	D15/28
D565,605	S *	4/2008	Tateishi	D15/28
D565,606	S *	4/2008	Sugihara	D15/28

D567,823	S *	4/2008	Hagio	D15/28
D569,393	S *	5/2008	Tateishi	D15/28
D575,805	S *	8/2008	Sugihara	D15/28
D588,169	S *	3/2009	Hagio	D15/28
D602,962	S *	10/2009	Miyamoto et al.	D15/28
2001/0054845	A1 *	12/2001	Choi	305/178
2004/0066090	A1 *	4/2004	Akiyama et al.	305/165
2004/0130212	A1 *	7/2004	Ishibashi	305/169
2005/0116540	A1 *	6/2005	Katoh et al.	305/177
2005/0168069	A1 *	8/2005	Ueno	305/171
2005/0173983	A1 *	8/2005	Nishimura	305/157
2005/0252697	A1 *	11/2005	Ueno	180/9.1
2006/0061212	A1 *	3/2006	Uchiyama	305/167

(Continued)

FOREIGN PATENT DOCUMENTS

JP 1363188 S 11/2009

Primary Examiner—Ian Simmons
Assistant Examiner—Mark A Goodwin
(74) *Attorney, Agent, or Firm*—Sughrue Mion, PLLC

(57) **CLAIM**

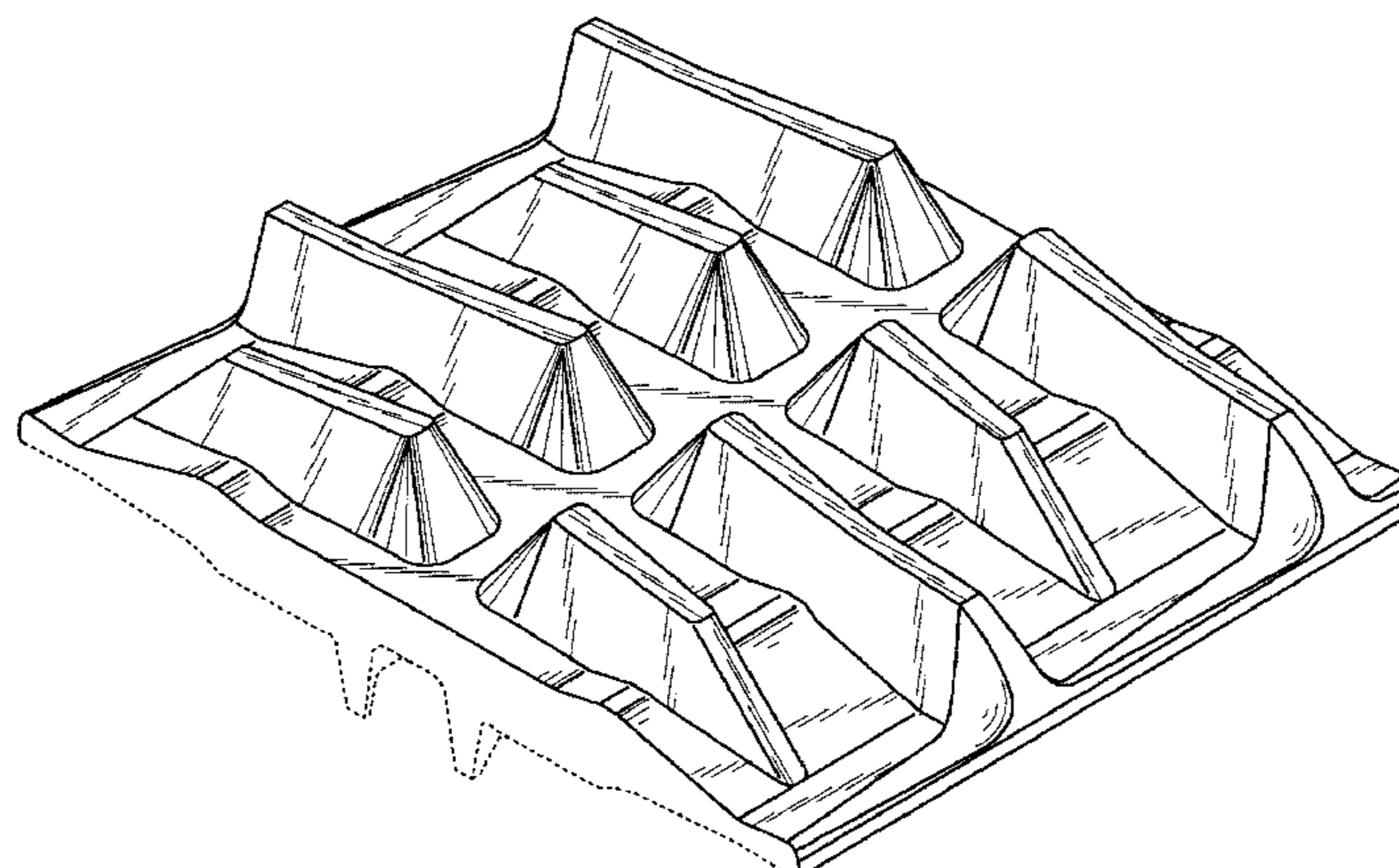
The ornamental design for a rubber crawler, as shown and described.

DESCRIPTION

FIG. 1 is a perspective view of a rubber crawler according to the present invention;
FIG. 2 is another perspective view thereof;
FIG. 3 is a front view thereof;
FIG. 4 is a top side view thereof;
FIG. 5 is a right side view thereof; and,
FIG. 6 is a cross-sectional view taken along line 6—6 in FIG. 4.

Broken lines in the drawing figures are intended to show environmental structure only, and form no part of the claimed design.

1 Claim, 6 Drawing Sheets



US D615,105 S

Page 2

U.S. PATENT DOCUMENTS	2009/0102283 A1*	4/2009	Choi	305/177
2008/0007118 A1*	1/2008	Fujita		305/170
2009/0079260 A1*	3/2009	Song		305/170

* cited by examiner

FIG. 1

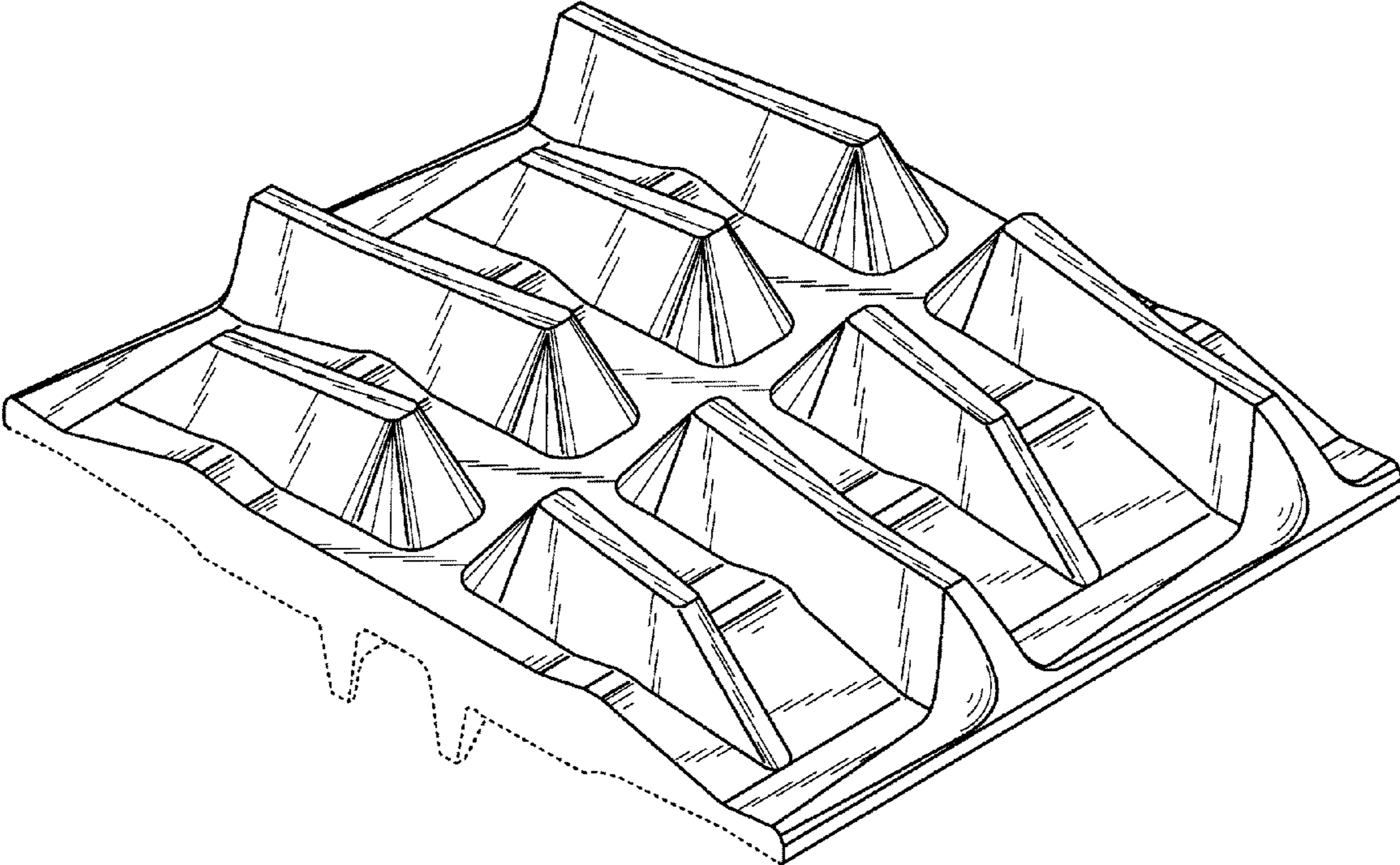


FIG. 2

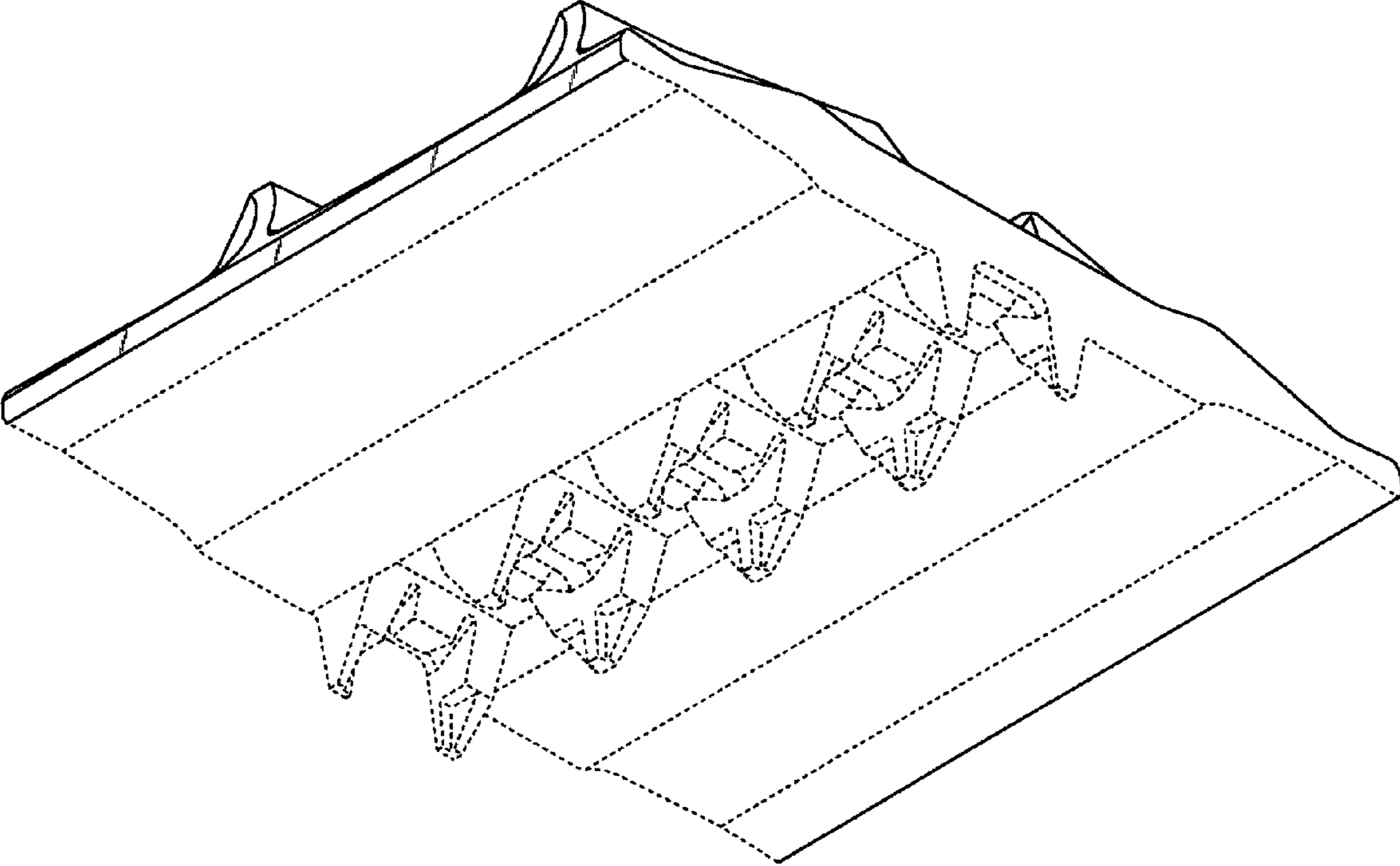


FIG. 3

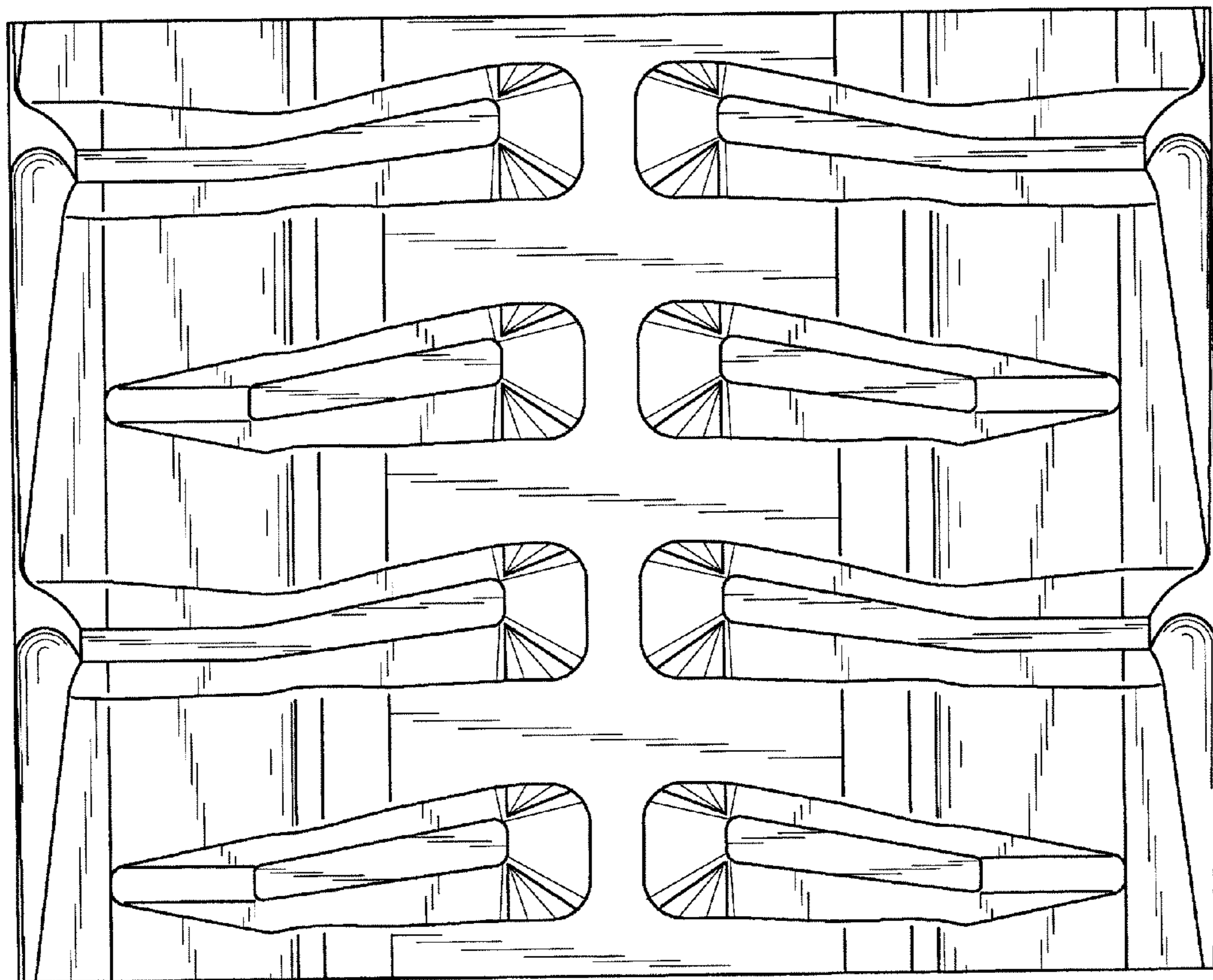


FIG. 4

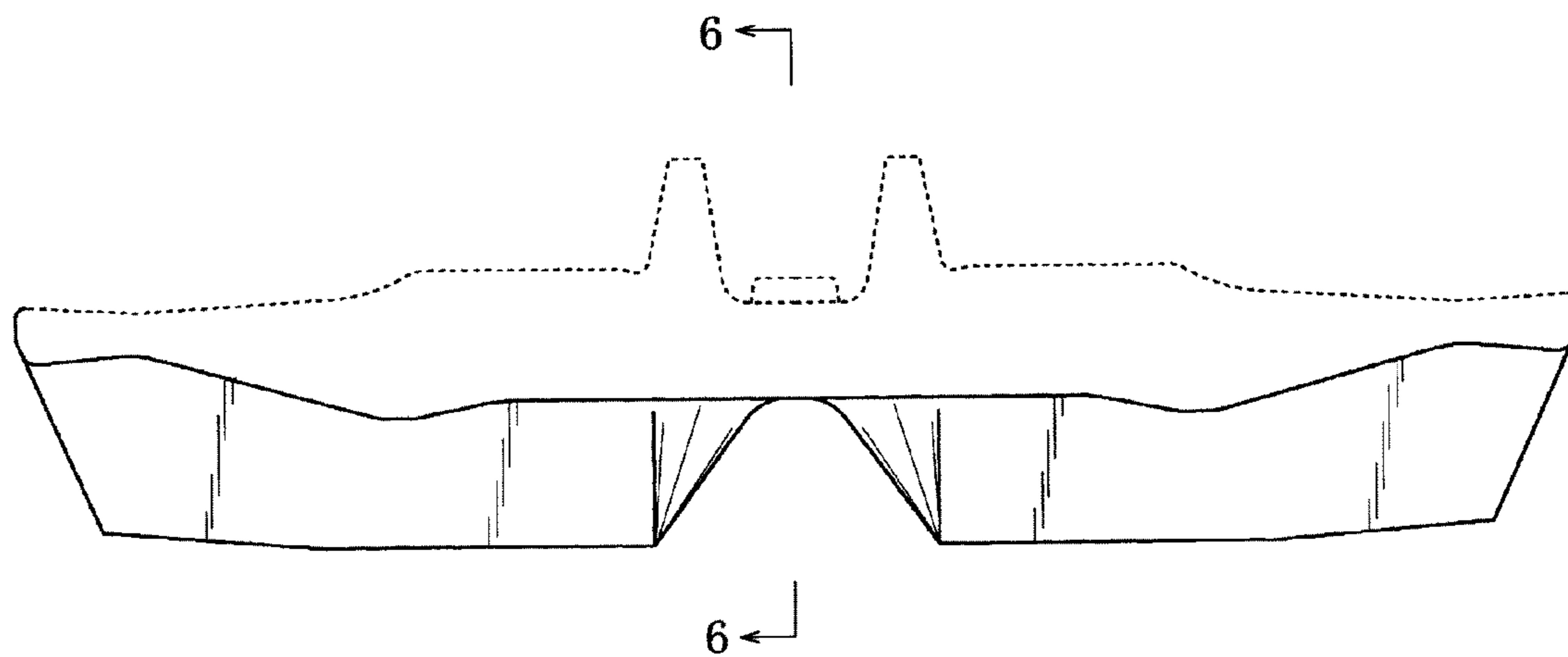


FIG. 5

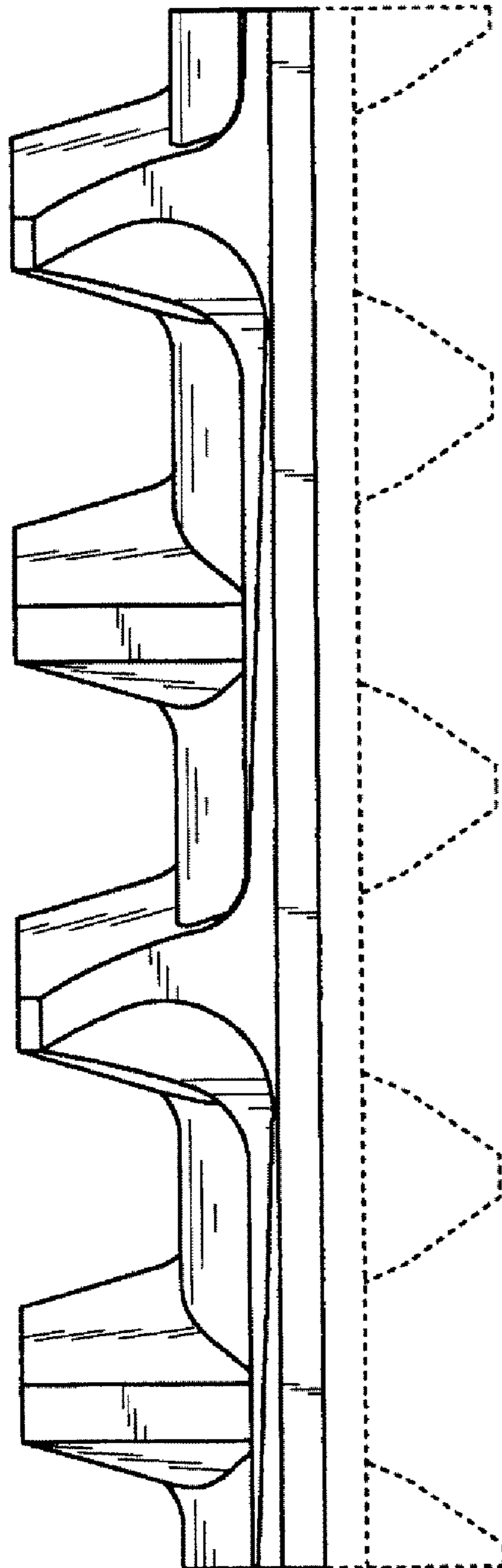


FIG. 6

