



US00D615097S

(12) **United States Design Patent**  
**Winjum**

(10) **Patent No.:** **US D615,097 S**

(45) **Date of Patent:** **\*\* May 4, 2010**

(54) **ICON FOR A DISPLAY SCREEN**

(75) Inventor: **Randall K. Winjum**, Vashon, WA (US)

(73) Assignee: **Microsoft Corporation**, Redmond, WA (US)

(\*\*) Term: **14 Years**

(21) Appl. No.: **29/335,744**

(22) Filed: **Apr. 21, 2009**

(51) **LOC (9) Cl.** ..... **32-00**

(52) **U.S. Cl.** ..... **D14/492**

(58) **Field of Classification Search** ..... D14/485-495;  
D18/26, 31-33; D20/11-12, 23-25, 29-32,  
D20/36-38; 715/700-867, 973-977

See application file for complete search history.

(56) **References Cited**

**U.S. PATENT DOCUMENTS**

D341,848 S *	11/1993	Bigelow et al. ....	D18/27
D391,949 S *	3/1998	Munson .....	D14/493
D392,272 S *	3/1998	Wanishi et al. ....	D14/489
D395,297 S *	6/1998	Cheng et al. ....	D14/488
D398,001 S *	9/1998	Bohnert et al. ....	D14/493
D398,299 S *	9/1998	Ballay et al. ....	D14/488
D399,196 S *	10/1998	Arora et al. ....	D14/490
D453,938 S *	2/2002	Graham .....	D14/489
D457,890 S *	5/2002	Chaudhri et al. ....	D14/493
D459,361 S *	6/2002	Inagaki .....	D14/486
6,780,486 B2 *	8/2004	Kuo et al. ....	D20/22
D531,636 S *	11/2006	Hoefnagels et al. ....	D14/485
D532,015 S *	11/2006	Lindsay et al. ....	D14/488
D535,659 S *	1/2007	Hally et al. ....	D14/485
D535,661 S *	1/2007	Gusmorino et al. ....	D14/492
7,185,116 B2 *	2/2007	Apfel et al. ....	715/700
7,188,319 B2 *	3/2007	Amadio et al. ....	715/835
D541,294 S *	4/2007	Burkard et al. ....	D14/492
D544,492 S *	6/2007	Rimas-Ribikauskas et al. ....	D14/485
D544,871 S *	6/2007	Lim et al. ....	D14/485
D545,834 S *	7/2007	Anthony et al. ....	D14/488
D545,835 S *	7/2007	Anthony et al. ....	D14/488

D546,343 S *	7/2007	Anthony et al. ....	D14/488
D549,726 S *	8/2007	Van Dongen et al. ....	D14/491
D551,245 S *	9/2007	Pieratt et al. ....	D14/489
D555,663 S *	11/2007	Nagata et al. ....	D14/488
D557,704 S *	12/2007	O'Donnell et al. ....	D14/492
D566,724 S *	4/2008	Pieratt et al. ....	D14/491
D568,892 S *	5/2008	Stabb et al. ....	D14/485
D574,846 S *	8/2008	O'Donnell et al. ....	D14/492
D575,300 S *	8/2008	Kaminaga .....	D14/486
D577,368 S *	9/2008	Boettcher .....	D14/489

(Continued)

**OTHER PUBLICATIONS**

Iconfactory : Freeware : Litho Extras vol. 1, [online] Apr. 5, 2005 [retrieved on Apr. 4, 2007]. Retrieved from the Internet <URL: http://iconfactory.com/freeware/preview/lit1>.\*

(Continued)

*Primary Examiner*—Cathron C Brooks  
*Assistant Examiner*—Karen E Kearney  
(74) *Attorney, Agent, or Firm*—Banner & Witcoff, Ltd.

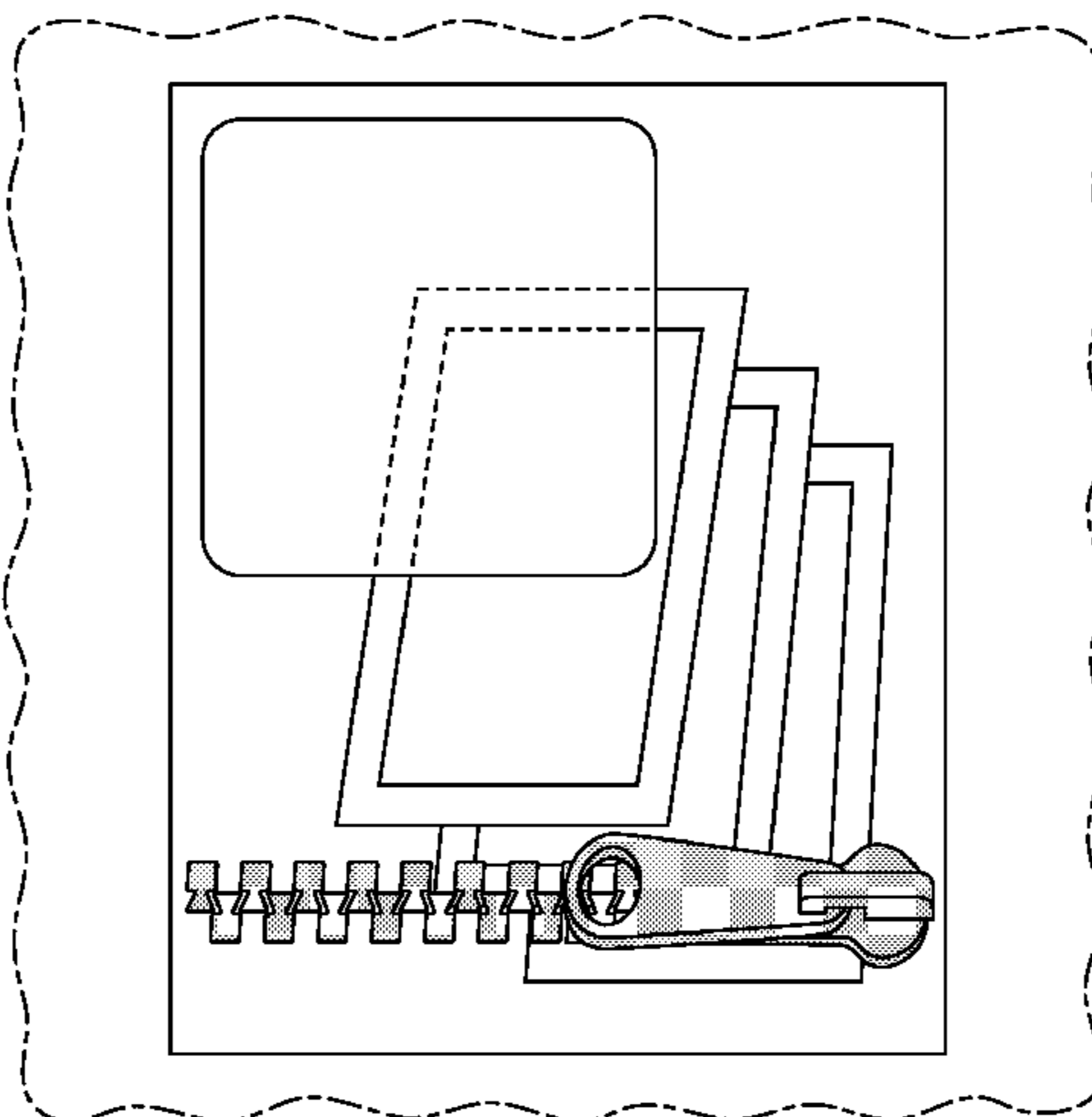
(57) **CLAIM**

The ornamental design for an icon for a display screen, as shown and described.

**DESCRIPTION**

The FIGURE is a front view of an icon for a display screen showing my new design.  
The broken line showings of a portion of a depiction of a frame and of a display screen are for environmental purposes only and form no part of the claimed design.

**1 Claim, 1 Drawing Sheet**



# US D615,097 S

Page 2

---

## U.S. PATENT DOCUMENTS

D588,608 S \* 3/2009 O'Donnell et al. .... D14/492  
D590,407 S \* 4/2009 Watanabe et al. .... D14/485  
D594,026 S \* 6/2009 Ball et al. .... D14/488  
D596,190 S \* 7/2009 Garcia ..... D14/485  
D596,643 S \* 7/2009 Bamford ..... D14/485  
D599,367 S \* 9/2009 Mays et al. .... D14/485  
D599,817 S \* 9/2009 Mays ..... D14/493  
D605,200 S \* 12/2009 Sakai ..... D14/486  
2007/0204209 A1 \* 8/2007 Truelove et al. .... 715/500.1  
2009/0288032 A1 \* 11/2009 Chang et al. .... 715/776

## OTHER PUBLICATIONS

Iconfactory : Freeware : Peel Off, [online] Mar. 30, 2001 [retrieved on Apr. 4, 2007]. Retrieved from the Internet <URL: <http://iconfactory.com/freeware/preview/peel>>.\*  
Iconfactory : Freeware : Private Eye Act 2, [online] Feb. 10, 2004 [retrieved on Apr. 4, 2007]. Retrieved from the Internet <URL: <http://iconfactory.com/freeware/preview/pea2>>.\*  
Iconfactory : Freeware : World of Aqua, [online] Mar. 26, 2001 [retrieved on Apr. 4, 2007]. Retrieved from the Internet <URL: <http://iconfactory.com/freeware/preview/woa1>>.\*

\* cited by examiner

